

PUPD09007035

piatto doccia/ shower tray

codice  
code



Piatto doccia Puro cm 90 X 70.  
Puro Cm 90 X 70 shower tray.

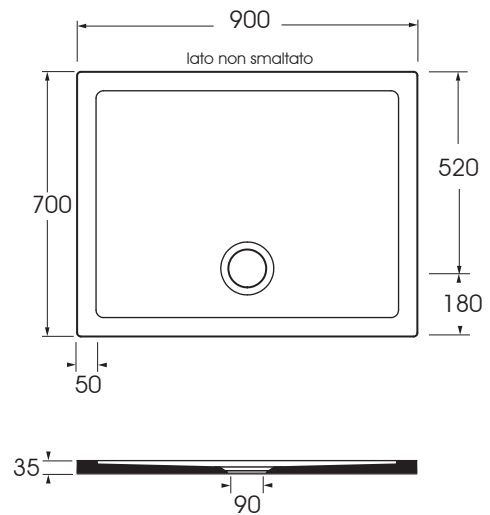
cotone/cotton

PUPD09007035CT

CM 90x70xh3,5

scatole/box 1 - plt 14

kg 36



scala/scale 1:20 dimensioni/dimensions in mm

Complementi/complements:

Codice  
code

Codice  
code



Piletta doccia cromo 1" 1/4 di diametro (ø 90)  
con tappo in ABS e completa di curva terminale.  
1" 1/4 (ø 90) diameter waste system for shower tray  
provided with ABS top and terminal bend.

SIF/FR



Piletta doccia 1" 1/4 di diametro (ø 90)  
con tappo in ABS e completa di curva terminale.  
1" 1/4 (ø 90) diameter waste system for shower tray  
provided with ABS top and terminal bend.

SIF/FRC

Specificare il colore al momento dell'ordine  
Specify the color when ordering

TECHNICAL SHEET n°: <b>01</b>	DESIGNER: <b>OFFICINA AZZURRA</b>	CODE: <b>PUPD09007035</b>	Azzurra sanitari in ceramica S.p.a. via Civita Castellana snc 01030 Castel S.Elia (VT) - ITALY Tel.+39.0761 518155 Fax.+39.0761 514560		
SHEET FORMAT: <b>A4</b>	ISO	REVISION: <b>02</b>	SCALE: <b>1:20</b>	DATE: <b>03/10/2019</b>	
REGULATIONS: <b>CE EN 14527 / EN33 / Dop-14527 *</b>					
All the measurements respect the tolerances provided by the "AZZURRA QUALITY GUIDELINES".					

\* Regulations here shown are exclusively referred to ceramic items