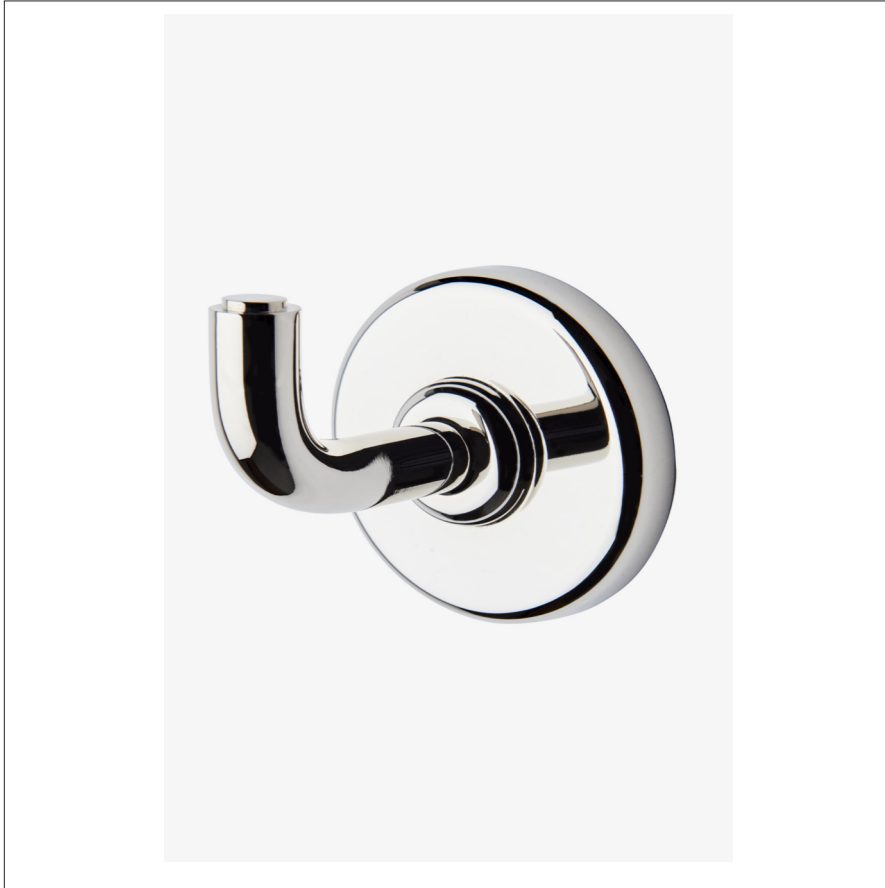


LUDLOW

LDRH05

Ludlow Shinola Edition Single Robe Hook with Round Escutcheon



TECHNICAL DETAILS

Depth / Width: 2 1/4"
Height: 2 1/2"
Length: 2 1/2"
Primary Material: Brass

INSPIRATION

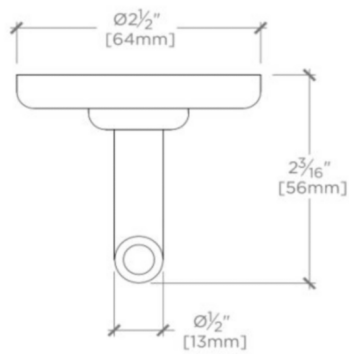
A touch of classic Americana. Our fresh take on iconic industrial design has clean lines and dimensional details.

WATERWORKS

LUDLOW

LDRH05

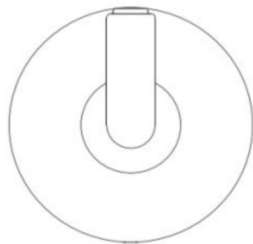
Ludlow Shinola Edition Single Robe Hook with Round Escutcheon



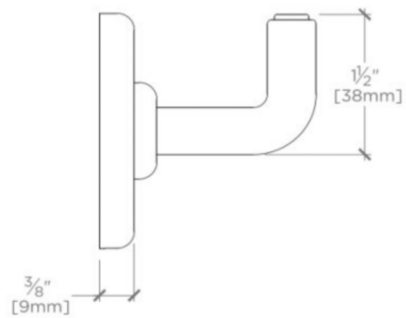
TOP VIEW SCALE: 6"=1'-0"



ISO VIEW SCALE: 6"=1'-0"



FRONT VIEW SCALE: 6"=1'-0"



SIDE VIEW SCALE: 6"=1'-0"