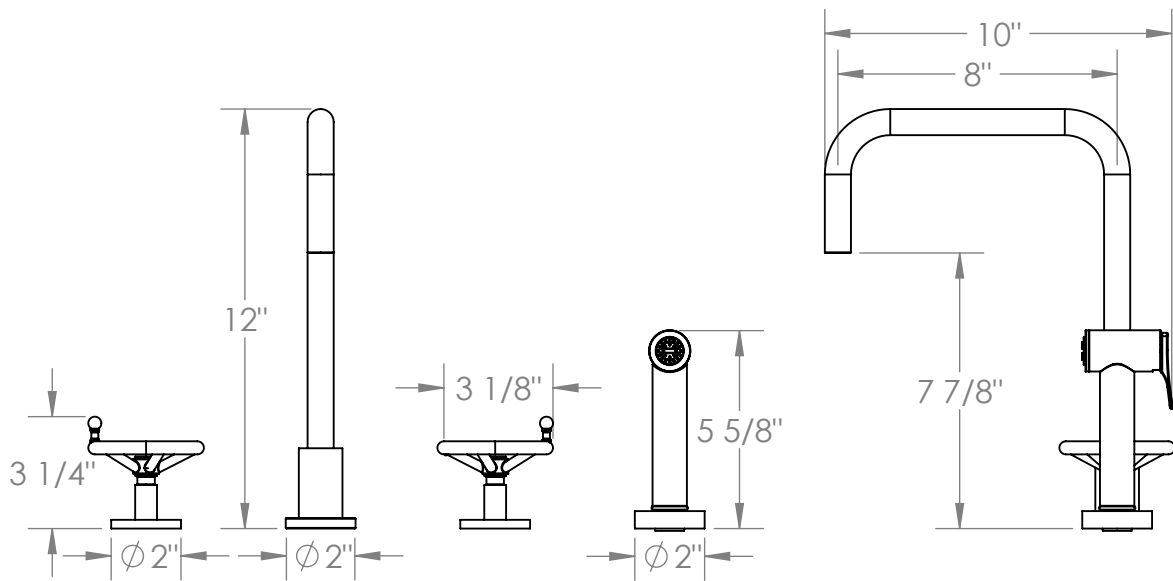


31-7.1-BKA.1

Deck Mounted Kitchen Set with Side Spray

Faucet Flow Rate: 1.75 GPM



Meets the applicable requirements of ASME A112.18.1-2005/CSA B125.1-05, entitled "Plumbing Supply Fittings"