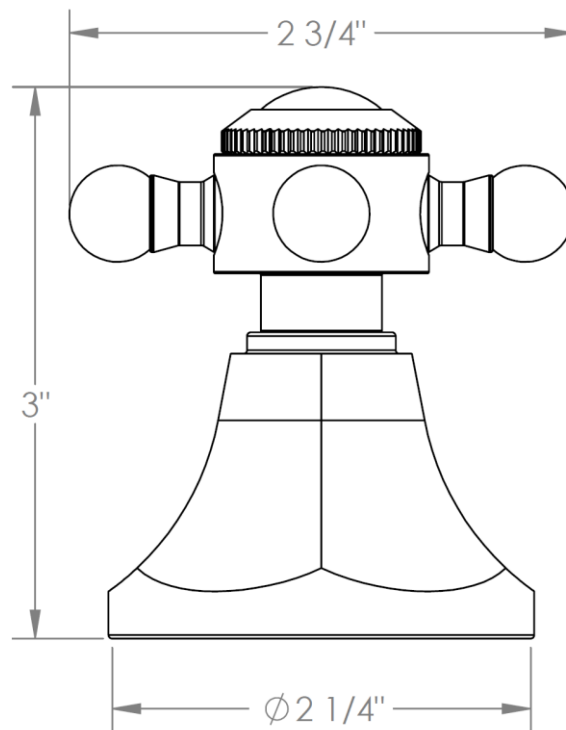


**312-WTR2-X**

Wall Mounted 2-Valve Shower Trim  
For use with SS-506 concealed rough



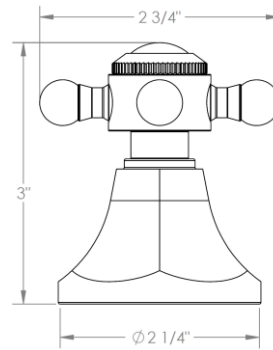
Meets the applicable requirements of ASME A112.18.1-2005/CSA B125.1-05, entitled "Plumbing Supply Fittings"

**WATERMARK** DESIGNS 8/16/2018

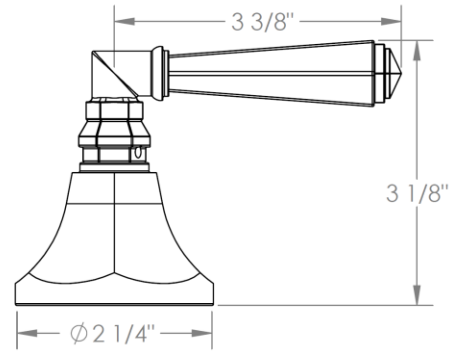
350 Dewitt Ave Brooklyn NY 11207 USA T 718 257 2800 F 718 257 2144 info@watermark-designs.com

## Gramercy Handle Trim Options

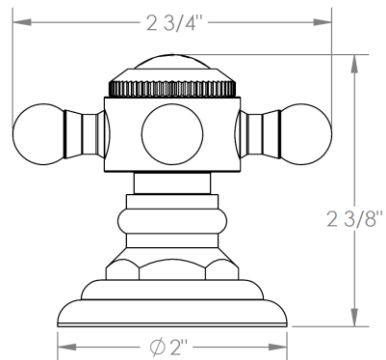
### X – OXFORD



### Y – LYONS



### V – WALES



### Y2 – WILLIAMS

