

E6D158



Collection: GRANDS BOULEVARDS

Finish*:



0 - White

Main features:



Features

- DIMENSIONS: 180 x 90 cm
- MATERIAL: Neoroc
- VOLUME (L): 250/180
- WASTE DIAMETER: 5.2

- WEIGHT: 213 kg
- INSTALLATION TYPE: 39
- SHAPE: Rectangular
- OPTIONAL: 2nd gel cushion

Consumer benefits

- STRENGTH AND STABILITY: Self-supporting bath can withstand heavy loads without flexing and leakage
- BATHING ENJOYMENT: Over 35 cm of immersion for bath lovers
- ELEGANT DESIGN: Pared-down, with delicate, straight lines, no exposed overflow (concealed overflow system)
- PRACTICAL: Ledge for day-to-day items
- EASIER CARE: The bath's soft lines and smooth surface make for easy cleaning

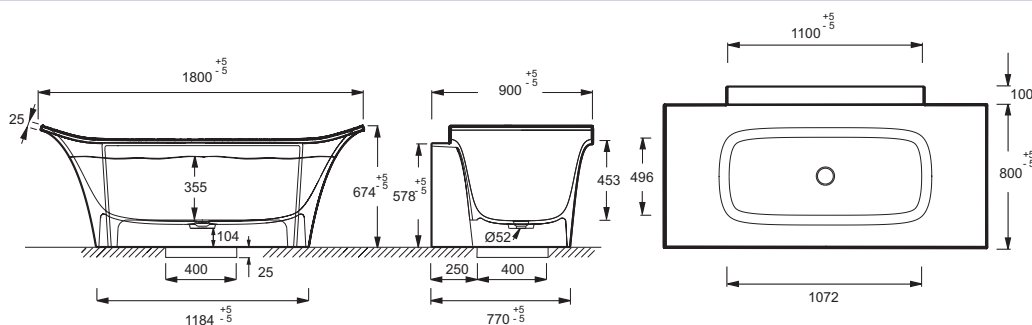
Installation benefits

- STRENGTH AND STABILITY: One-piece self-supporting bath
- TAP FITTINGS: Install with wall or floormount tap fittings (9 cm ledge)
- UNIQUE FEATURE: Trench needed to install trap
- INSTALLATION: A concealed overflow is supplied (to be installed)

Optional products

- E6D157: Gel cushion

Technical drawing



Product Specification: Semi-freestanding bath 180 x 90 cm. E6D158. Collection: GRANDS BOULEVARDS. DIMENSIONS: 180 x 90 cm. WEIGHT: 213 kg. MATERIAL: Neoroc. INSTALLATION TYPE: 39. VOLUME (L): 250/180. SHAPE: Rectangular. WASTE DIAMETER: 5.2. OPTIONAL: 2nd gel cushion.

*Due to possible variations in computer and printer calibrations, technical factors and certain finish characteristics, the colors you see may not accurately portray the actual colors and are provided as a guide only.