

Submitted Model No.: \_\_\_\_\_

Specific Features: \_\_\_\_\_



see what Delta can do™

## SHOWER HEAD

### FEATURES:

- Touch-Clean® Nozzles

### STANDARD SPECIFICATIONS

- Single spray shower head with adjustable arm - 75172 only
- 5 setting vintage shower head - 75575 only
- Standard 1/2" pipe fitting
- Maximum 2.5 gpm at 80 psi, 9.5 L/min @ 550 kPa

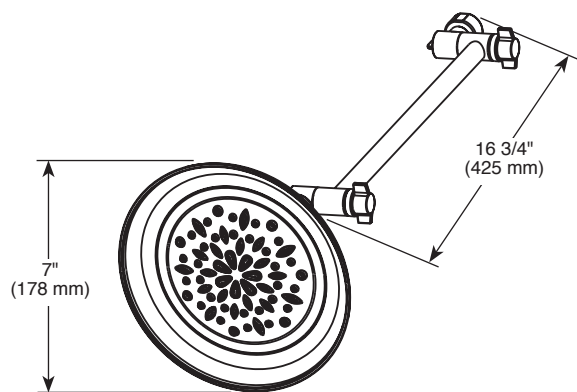
### WARRANTY

- Parts and Finish - Lifetime limited warranty; or for commercial purchasers, 10 years for multi-family residential (apartments and condominiums) and 5 years for all other commercial uses, in each case from the date of purchase.
- Electronic Parts and Batteries (if applicable) - 5 years from the date of purchase; or for commercial purchasers, 1 year from the date of purchase. No warranty is provided on batteries.

### COMPLIES WITH:

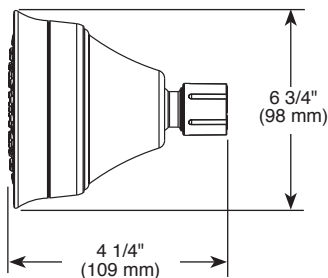
- ASME A112.18.1 / CSA B125.1

75172 2.5 GPM



Full Body Spray

75575▲ 2.5 GPM



Drenching Spray



Full Body Spray



Massage Spray



Full Spray w/ Massage



Pause

▲ Designate proper finish suffix

Delta reserves the right (1) to make changes in specifications and materials, and (2) to change or discontinue models, both without notice or obligation. Dimensions are for reference only. See current full-line price book or [www.deltafaucet.com](http://www.deltafaucet.com) for finish options and product availability.

DSP-B-75172 Rev. C

### Delta Faucet Company

55 E. 111th Street, Indianapolis, IN 46280  
350 South Edgeware Road, St. Thomas, ON N5P 4L1  
© 2019 Delta Faucet Company