

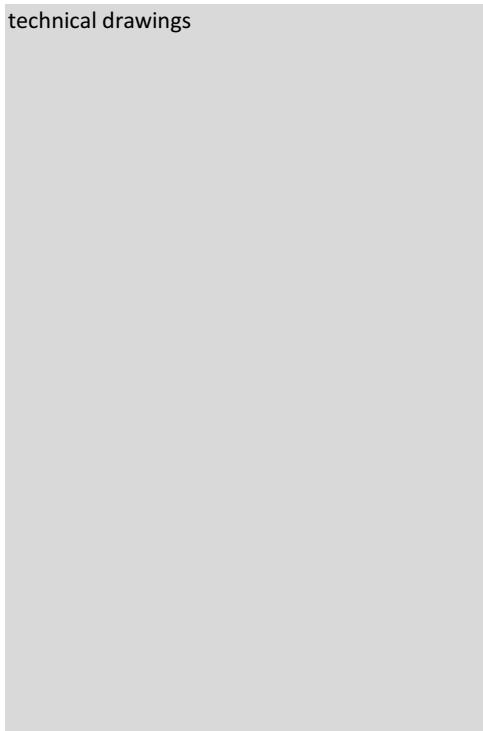


SKOD

product code	CC0726FN46
product description	SKOD Table 180x90 black, acacia natural Table with galvanized steel powder coated structure. Top in natural acacia wood. For indoor and outdoor under cover use.

**product sizes**

height x width x depth (cm)	74	x	180	x	90
product weight (Kg)	25				



**product features**

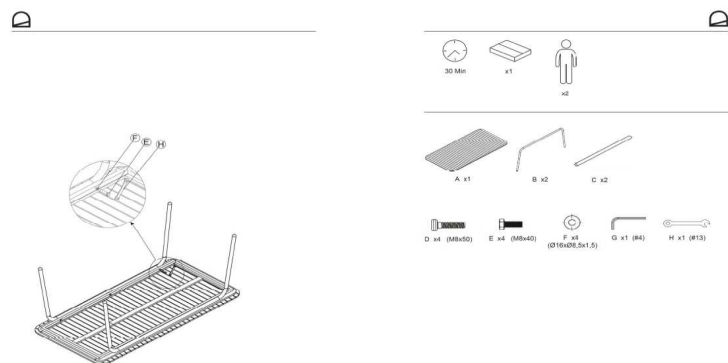
use (domestic/office)	Domestic
applicance (inner/outer)	Outer under cover
extendible (yes/no)	No
adjustable height (yes/no)	No
foldable (yes/no)	No
up to seats	8
max. load (Kg)	60
top material	Acacia wood (Acacia auriculiformis)
top finishing	Oil (teak aspect)
top thickness	10 mm
leaf material	
leaf finishing	
number of leaves	
stored inside (yes/no)	No

legs material	
legs finishing	
feet protection (yes/no)	Yes
adjustable feet (yes/no)	No
RAL Specifications	
size and shape variation (yes/no)	No
color variation (yes/no)	Yes
other details	
general warnings	Do not use abrasive products like acetones, bleaches, solvents, etc. To extend the durability of wooden outdoor furniture please follow the instructions below:
specific use and care instructions	Clean with a mild soapy solution and dry immediately. We strongly recommend varnishing/re-staining the furniture regularly (once a year) to prevent dryness, cracks and moisture absorption.
specific use and care instructions for outdoor furniture	Store the furniture in a dry indoor place. If you want to leave it outdoors, protect it with a waterproof cover in autumn, winter and rainy season.
years of guarantee made according to	2
good to know	Wood origin country: Vietnam

**assembly**

assembly required (yes/no)	Yes
difficulty of assembly (hard/medium/easy)	Easy
assembly time (min)	30
people required	2
assembly suggestions	

assembly instructions



**packaging**

units per lot	1
cbm (m3) / gross weight (Kg)	0,179 / 30
n° of boxes	1

box 1	1
description	FULL ITEM
description box	SKOD Table 180x90 black, acacia natural
height x width x depth (cm)	10 x 186 x 96
cbm (m3) / gross weight (Kg) / net weight (Kg)	0,179 / 30 / 25

box 2	
description	
description box	
height x width x depth (cm)	x x
cbm (m3) / gross weight (Kg) / net weight (Kg)	/ /

box 3	
description	
description box	
height x width x depth (cm)	x x
cbm (m3) / gross weight (Kg) / net weight (Kg)	/ /