



Catchpole & Rye

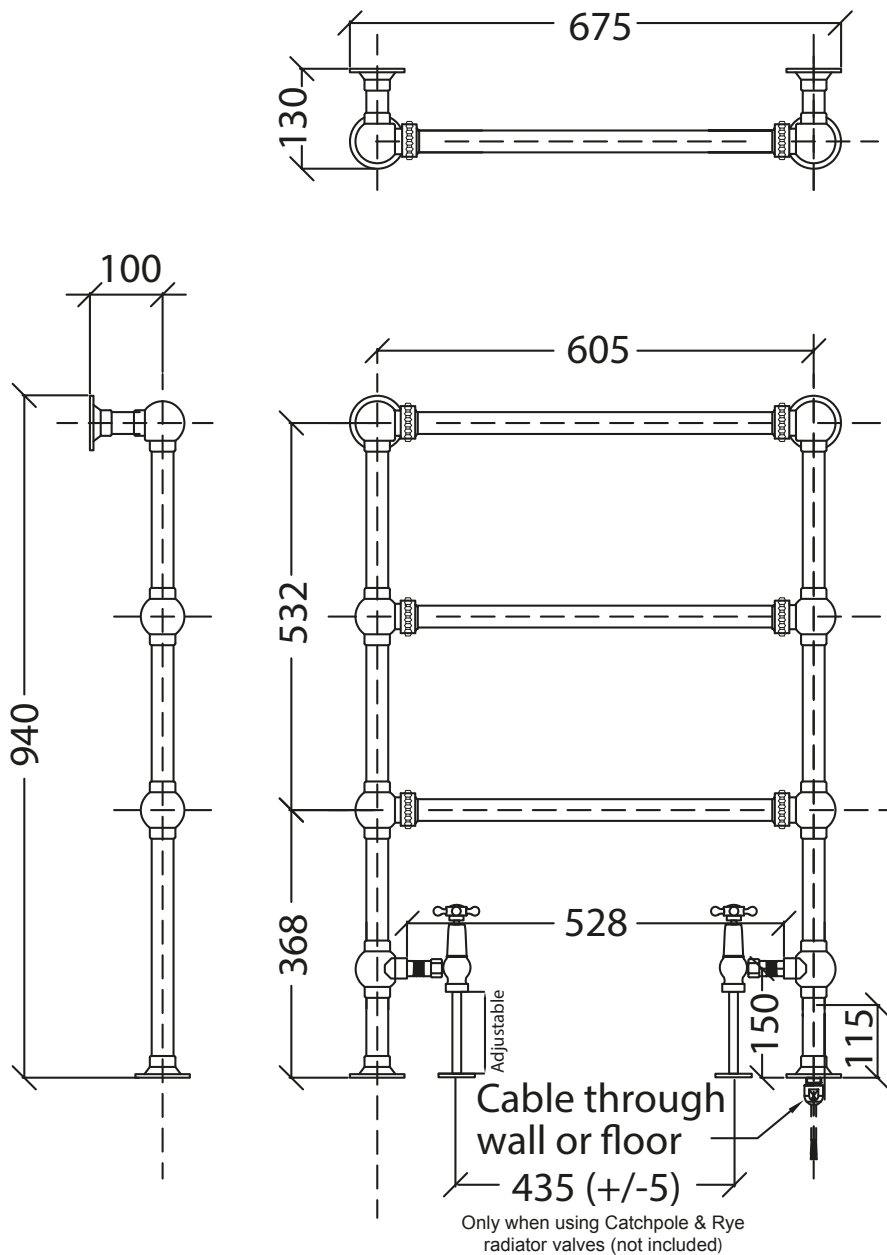
Saracens Dairy,
 Pluckley,
 Kent. U.K.
 TN27 0SA.
 TEL: +44 (0)1233 840840
 EMAIL: info@catchpoleandrye.com

Product Range:
 Towel Rails

Product Name:

The Mercantile Three Bar Towel Rail
 630 BTU

DIMENSIONAL DATA SHEET DATE: AUGUST 2018



NOTES:
 DIMENSIONS IN MILLIMETRES.
 WHILST EVERY EFFORT IS MADE TO ENSURE THE ACCURACY OF THESE DATA SHEETS THEY ARE SUBJECT TO CHANGE WITHOUT NOTICE AS PART OF THE COMPANY'S PRODUCT DEVELOPMENT PROCESS.