

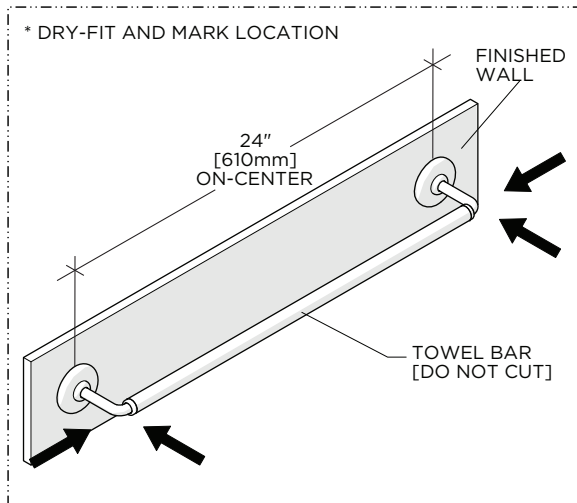
INSTALLATION GUIDELINES

IMPORTANT:

- To ensure this product is installed properly, you must read and follow these guidelines.
- The owner/user of this product must keep this information for further reference.
- This product must be installed by a professional licensed contractor.
- Inspect this product to ensure you have all the parts required for proper installation.
- If further assistance is required, please contact Product Support at 1-800-927-2120 Monday through Friday, 8am - 6pm EST.
- Refer to the separate Service Parts Documents for available replacement parts.

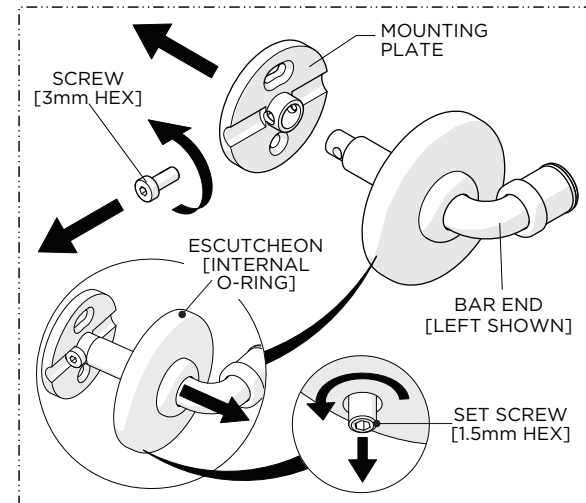
TECHNICAL DETAILS:

DETAIL	SPECIFICATION
PRIMARY MATERIAL	BRASS
TUBE DIAMETER	13/16" [20mm]

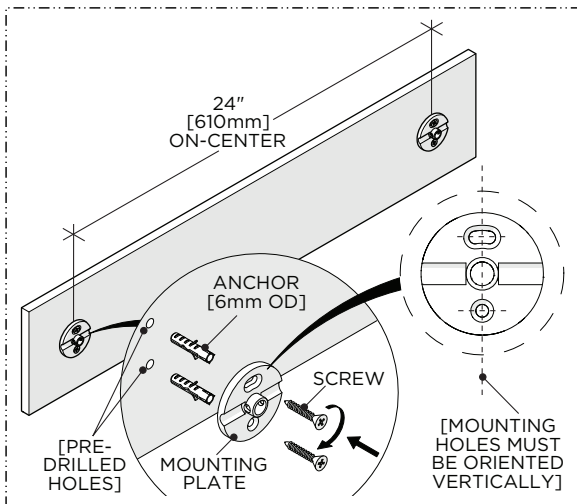


1. Dry-fit the TOWEL BAR to the finished wall and mark the ideal location making sure to hold the BAR level.

NOTE: Verify the 24" [610mm] on-center spread.

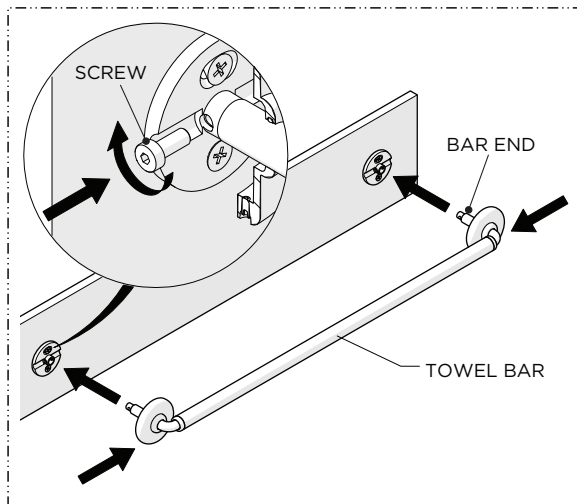


2. Loosen, but do **NOT** remove, the SET SCREW on the bottom of each ESCUTCHEON and slide the ESCUTCHEONS up the BAR ENDS to expose the MOUNTING PLATES then unthread the SCREWS to remove the PLATES.

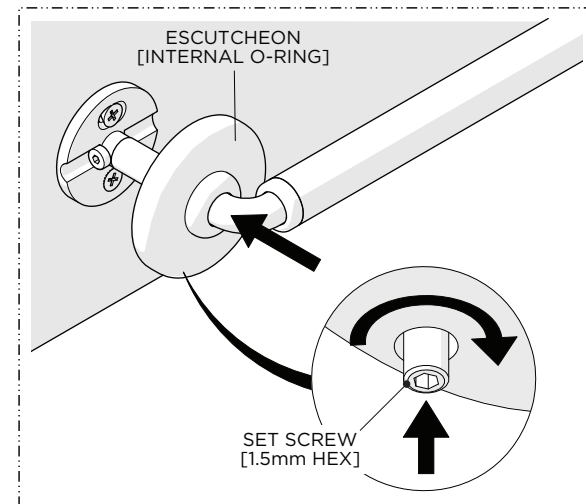


3. Using the previous marks as a reference, install the MOUNTING PLATES using the SCREWS and ANCHORS provided.

CAUTION: Ensure the PLATES are in the proper orientation, level, and at the proper spread.



4. Insert the BAR ENDS and SCREWS into the MOUNTING PLATES then thread and securely tighten the SCREWS into the ENDS.



5. Slide the ESCUTCHEONS down the BAR ENDS until they contact the finished wall and securely tighten the SET SCREWS.