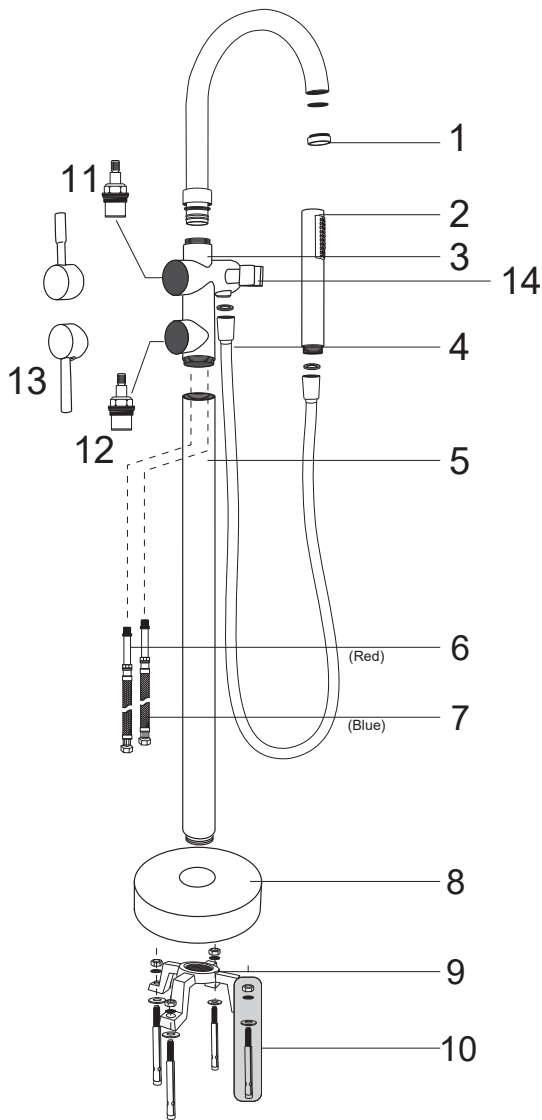


Hafa® GRAND

Art: 1445557



	art.no.	beskrivning	description
1	9472-B	PERLATOR	AERATOR
2	9339	DUSCHHANDTAG	SHOWER HANDLE
3	9472-D	BLANDARE KROPP	MIXER BODY
4	9087	SLANG HANDDUSCH	HOSE FOR HAND SHOWER
5	9472-F	VERTIKAL NEDRE RÖR	VERTICAL LOWER TUBE
6	9472-G	FLEXIBEL SLANG RÖD	FLEXIBLE RED HOSE
7	9472-H	FLEXIBEL SLANG BLÅ	FLEXIBLE BLUE HOSE
8	9472-I	TÄCKKÅPA GOLV	DECORE COVER
9	9472-J	FIXERINGSSTATIV	FIXED STAND
10	9472-K	EXPANSIONSSKRUVAR	EXPANSION SCREWS
11	9300-F	OMKASTARE INSATS	DIVERTER CARTRIDGE
12	9300-A	TERMOSTAT INSATS	THERMOSTAT CARTRIDGE
13	9209624	GREPP MED LOGO	HANDLE WITH LOGO
14	9209627	HÅLLARE HANDDUSCH	SHOWERHEAD HOLDER

Hafa®

Hafa
Svarvaregatan 5, Box 525
SE-301 80 Halmstad
SWEDEN

Garanti/Warranty.
Service, reservdelar/spare parts
Sweden: +46 (0)35 15 44 75
Norway: +47 (0)69 31 02 30
Finland: +358 (0)9 61500940

www.hafa.se
www.hafa.dk
www.hafabad.no
www.hafa.se
www.hafabathroom.ru
www.hafa.eu

e-mail:
service@hafa.se
service@hafabad.no



Hafa
Svarvaregatan 5, Box 525
SE-301 80 Halmstad
SWEDEN

Garanti/Warranty.
Service, reservdelar/spare parts
Sweden: +46 (0)35 15 44 75
Norway: +47 (0)69 31 02 30
Finland: +358 (0)9 61500940

www.hafa.se
www.hafa.dk
www.hafabad.no
www.hafa.se
www.hafabathroom.ru
www.hafa.eu

e-mail:
service@hafa.se
service@hafabad.no