

LUDLOW

LDXT70

Ludlow Floor Mounted Exposed Tub Filler with Handshower and Metal Lever Handles



SHOWN IN LUDLOW FLOOR MOUNTED EXPOSED TUB FILLER WITH HANDSHOWER AND METAL LEVER HANDLES| LDXT70

TECHNICAL DETAILS

ADA Compliance: Yes
 Adjustable versus Fixed Spray: Fixed Spray
 Diameter of Head: 2 1/16"
 Diameter of Legs / Tubes: 1 7/16"
 Escutcheon Primary Material: Brass
 Fittings Hole Diameter: 1 1/4"
 Flow Restriction Options: 2.0, 1.75, 1.5, 0.92
 Handle Spread Maximum: 8"
 Handle Spread Minimum: 8"
 Handle Turn Angle: Quarter Turn
 Handshower / Spray Hose Length: 68"
 Depth / Width: 10 7/8"
 Height: 38 1/8"
 Inlet Connection Size: 3/4"
 Inlet Connection Type: Copper Sweat
 Inlet Supply Spread Maximum: 8"
 Inlet Supply Spread Minimum: 8"
 Installation Type: Freestanding
 Integrated Diverter: N
 Integrated Spray: N
 Length: 16 15/16"
 Number of Handles: Two
 Number of Holes: Two Hole
 Pivot: N
 Primary Material: Brass
 Spout Swivel: N
 Spray Included in Unit: N
 Suggested Application: Bath
 Valve Material: Ceramic
 Water Pressure Maximum: 85.0 psi
 Water Pressure Minimum: 20.0 psi
 Water Pressure Recommended: 45.0 psi

INSPIRATION

A touch of classic Americana. Our fresh take on iconic industrial design has clean lines and dimensional details, including exposed screws and square plates.

CODES & STANDARDS

Code # LDXT70Y: Complies with ASME A112.18.1/CSA B125.1, ADA, CEC and 0.25% Weighted Average Lead Content. Certified with IAPMO, cUPC, CEC, State of MA and WRAS.

PRODUCT FEATURES

Handshower is easy and comfortable to grip.

This item is stocked in a Chrome, Nickel and Unlacquered Brass finishes.

Diverter button allows bather to move water from spout to handshower

Stocked in 2.5gpm (7.6 L/min) and 1.75gpm (6.6 L/min) for Handshower. State of California requires 1.75gpm (6.6 L/min) to comply with their water conservation requirements. Other flow options are available to order, contact your sales associate or call 1 (800) 899-6757 for details

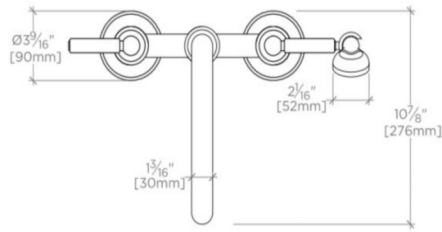


WATERWORKS

LUDLOW

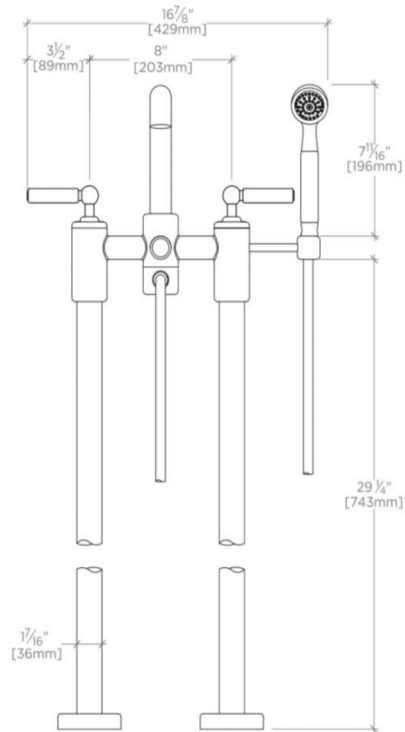
LDXT70

Ludlow Floor Mounted Exposed Tub Filler with Handshower and Metal Lever Handles



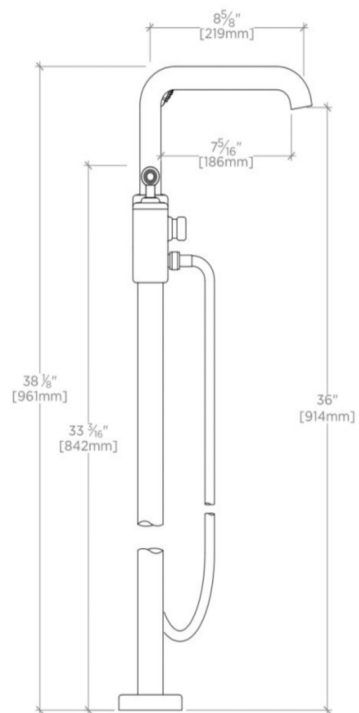
TOP VIEW

SCALE: 1/2"=1'-0"



FRONT VIEW

SCALE: 1/2"=1'-0"



SIDE VIEW

SCALE: 1/2"=1'-0"