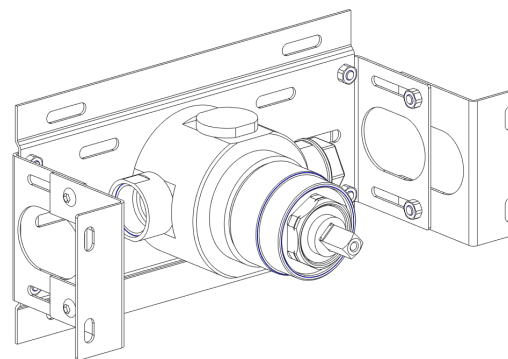
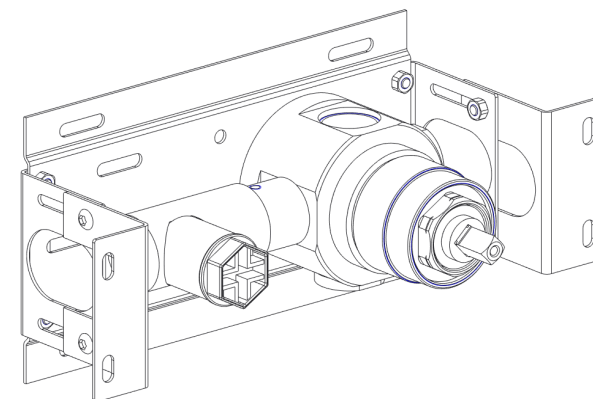


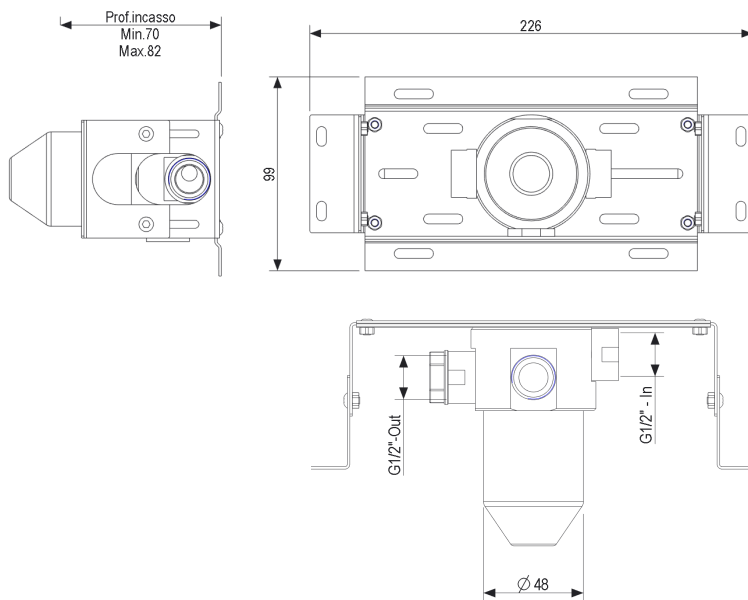
BOX01-VALVE-2019



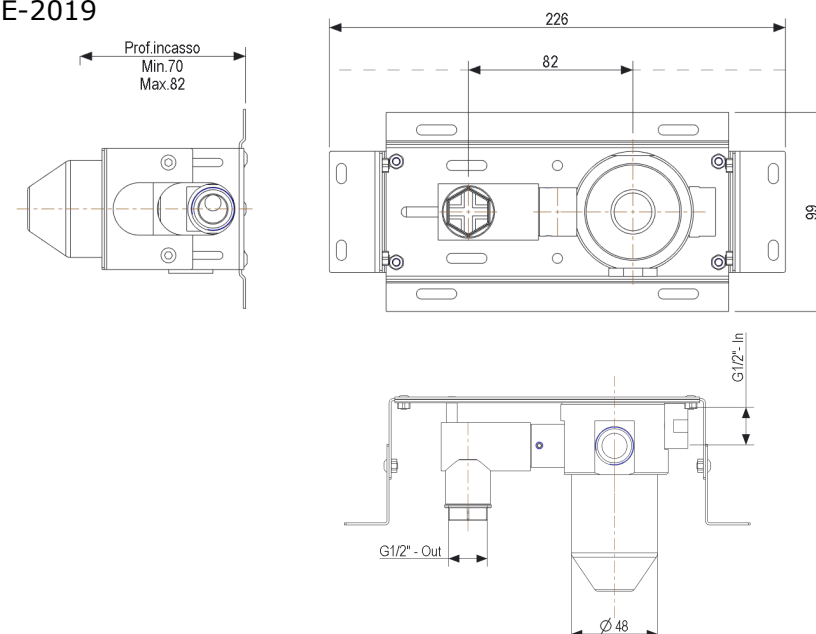
BOX02-VALVE-2019



BOX01-VALVE-2019

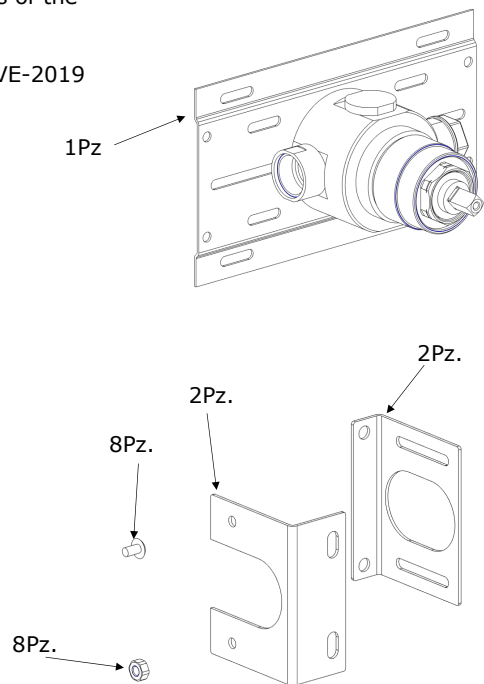


BOX02-VALVE-2019



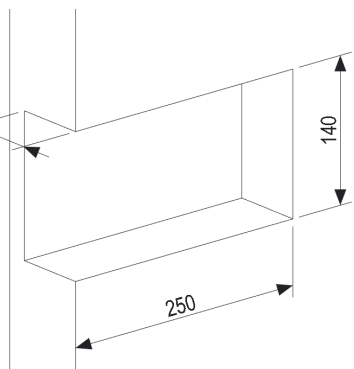
The contents of the box:

BOX01-VALVE-2019



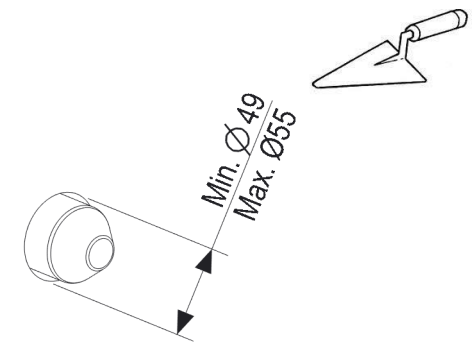
1

Min.70
Max.82

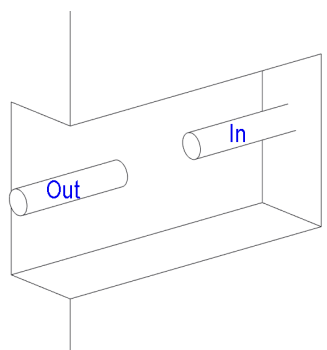


Depth Min.70 Max.82 with wall cladding

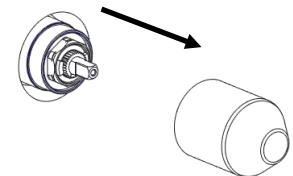
4



2

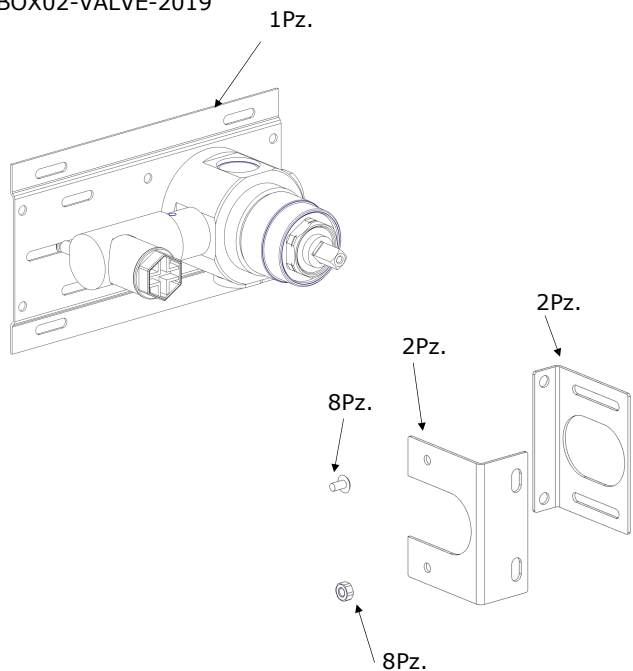


5

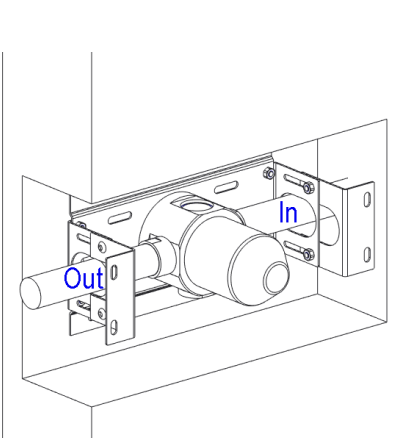


The contents of the box:

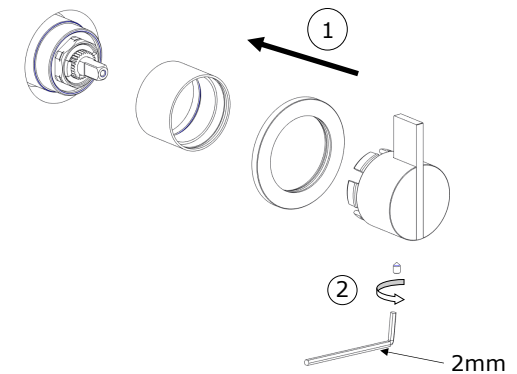
BOX02-VALVE-2019



3



6



3.1



After the operation 3, Test the plant !
If the test is Ok, go with the point 4!

7

Clean all the surface with the apposite product, for the stainless steel faucet use water with a neutral detergent.