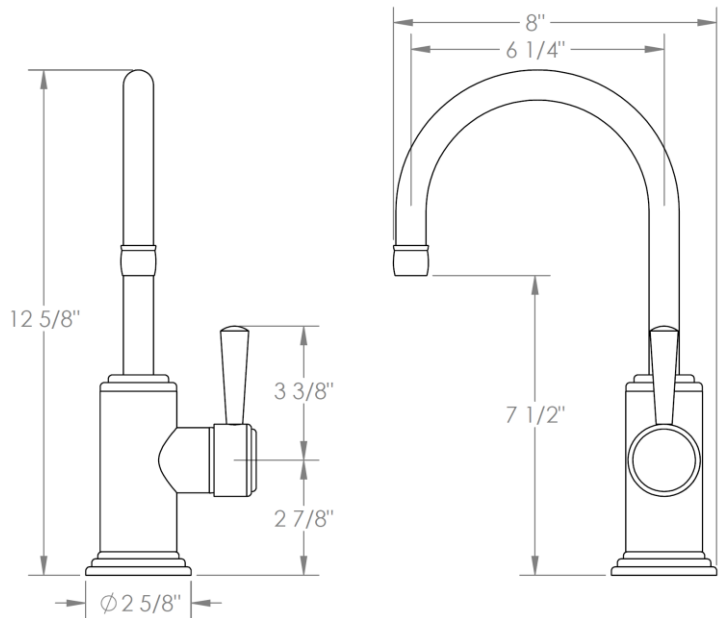


**321-9.3-**  
Deck Mounted 1 Hole Bar Faucet  
Flow Rate: 1.75 GPM



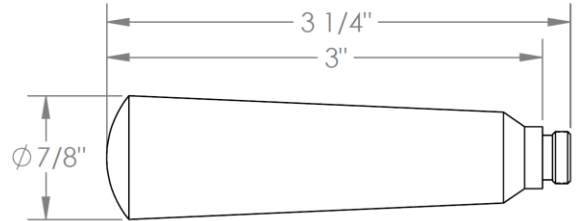
Meets the applicable requirements of ASME A112.18.1-2005/CSA B125.1-05, entitled "Plumbing Supply Fittings"

**WATERMARK DESIGNS** 4/17/2019

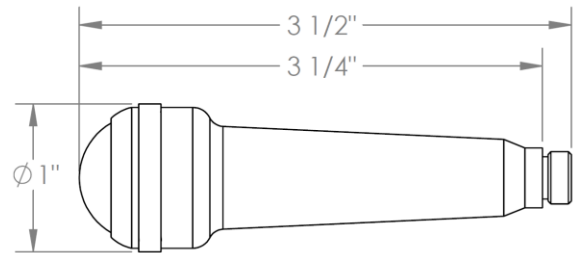
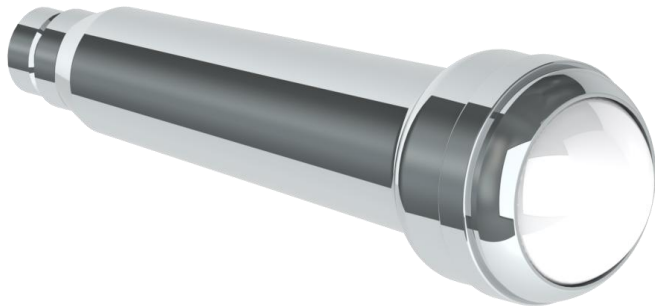
350 Dewitt Ave Brooklyn NY 11207 USA T 718 257 2800 F 718 257 2144 info@watermark-designs.com

HANDLE TRIM OPTIONS

S1A - NOTTINGHAM



S2 - WALTHAM



SWA - DARIEN

