



IB RUBINETTI

Collection

INDUSTRIA

Article

ID250

Description

Wall mounted bath filler

Box Dimensions

370 x 270 x 80 mm

Weight

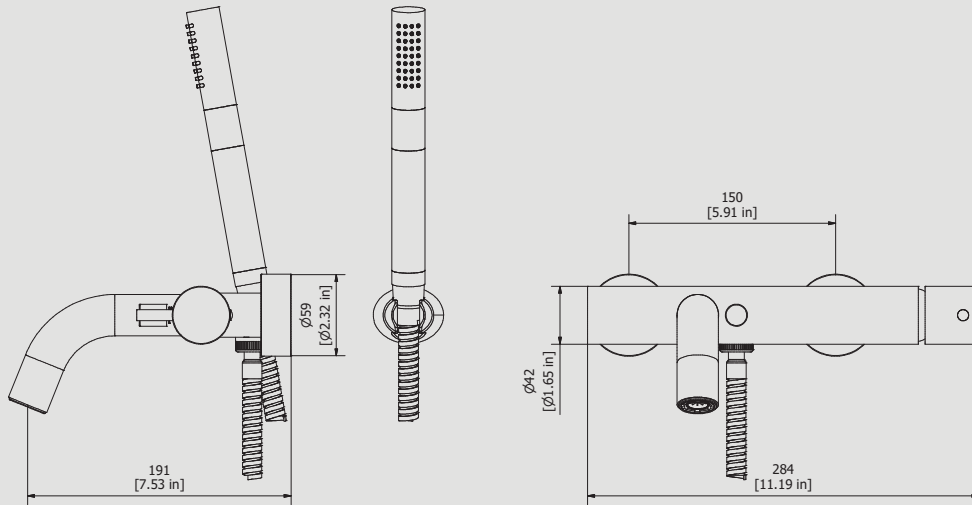
4.2 kg

Finishes

- **CC** CHROME
- **CF** BLACK CHROME
- **OO** GOLD
- **BB** ANTIQUE BRONZE
- **SS** BRUSHED NICKEL
- **CS** BRUSHED BLACK CHROME
- **BO** MATT WHITE
- **NP** MATT BLACK
- **IS** BRUSHED PALE GOLD
- **OS** BRUSHED GOLD
- **II** PALE GOLD
- **RR** ANTIQUE COPPER
- **RS** ROSE GOLD
- **ON** NATURAL BRASS
- **SR** BRUSHED ROSE GOLD
- **PL** PLATINUM



Dimensions



Cartridge

Ø35 ceramic cartridge

Threaded fitting

G1/2" male

Aerator

Flow Rate (+/-10%)

1 BAR
10 l/min

2 BAR
14.3 l/min

3 BAR
18 l/min

Production

Main body is a machined from a solid pieces

Material

BRASS
According to CuZn39Pb3 (CW614N)
Max Lead content: 2.5%

IB RUBINETTERIE s.p.a
via dei Pianotti 3/5
25068 Sarezzo (BS) - Italy -

T. +39 030 802101
F. +39 030 803097
info@ibrubinetterie.it

P.IVA 01785230986
capitale sociale
€420.000,00 i.v.

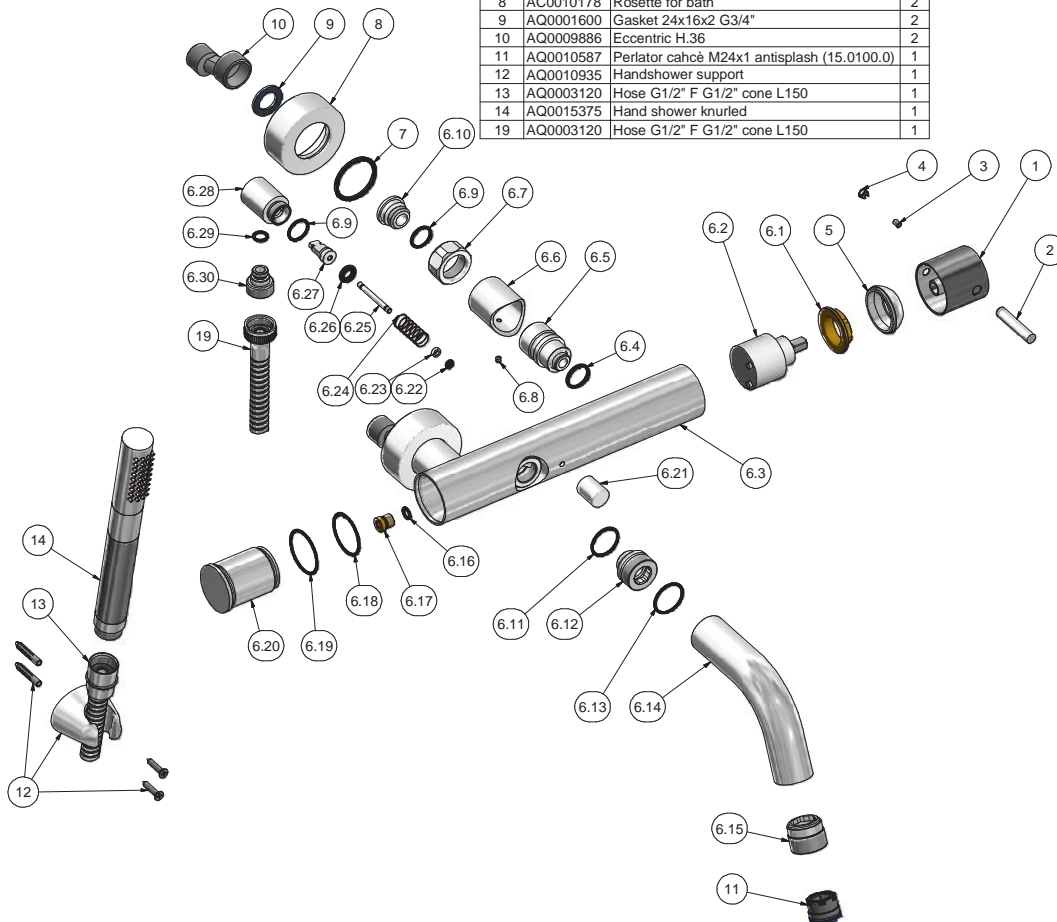
WWW.IBRUBINETTI.IT





IB RUBINETTI

Elenco parti			
ELEM	CODICE	NUMERO DI MAGAZZINO	QT
1	AC0015906	Handle Ø42 H39 7.2x8.2 M8 knurled	1
2	AC0009461	Rod Ø8 H42 M8	1
3	AQ0001081	Grub screw M4x6 p.p.	1
4	AQ0006650	Plug cover Ø7	1
5	AQ0012068	Chromed cover nut Ø38,2 M37x1,5	1
6	CPKMT250	Preassembled wall-mounted bath filler CCX01	1
6.1	AQ0001040	Cartridge ring nut M37x1.5 H9	1
6.2	AQ0009810	Cartridge wout/d Ø35	1
6.3	AC0010795	External bath body	1
6.4	AQ0009841	OR 17x2 NBR 70 SH	2
6.5	AC0009713	Seal extension for bath shower M14x1.5 SX	2
6.6	AC0009710	Seal sleeve for bath shower Ø32 H36.5	2
6.7	AC0000710	Fixing nut G3/4" H14 CH30	2
6.8	AQ0001082	Grubscrew M4x4 p.c.	2
6.9	AQ0004600	OR 15.6x1.78 NBR 70 SH	3
6.10	AQ0001931	Threaded connection piece M18x1.5 L H15.8	2
6.11	AQ0006637	OR 21.95x1.78 NBR 70 SH	1
6.12	AC0009712	Insert M27x1 M18x1	1
6.13	AQ0009815	OR 23.52x1.78 NBR 70 SH	1
6.14	AC0009709	Spout-out Ø30 L116	1
6.15	AC0010792	Seat for perlator M28x1 M24x1	1
6.16	AQ0001330	OR 6.75x1.78 NBR 70 SH	1
6.17	AS0010770	Plug M10x1 H12	1
6.18	AQ0009816	OR 31.47x1.78 NBR 70 SH	1
6.19	AQ0008026	OR 33.05x1.78 NBR 70 SH	1
6.20	AC0010791	Plug for body Ø39 H48.2 M14x1.5 sx	1
6.21	AC0010793	Knob for diverter Ø16 H20 M4	1
6.22	AQ0007122	OR 3.69x1.78 NBR 70 SH	1
6.23	AQ0009727	Antifriction ring Ø7 H2.5	1
6.24	AQ0010322	Diverter's spring	1
6.25	AC0009716	Diverter's rod Ø4 M4 H41	1
6.26	AQ0009380	OR 7.52x3.53 NBR 70 SH	1
6.27	AC0009664	Diverter pan for bath shower Ø10.8 H22	1
6.28	AC0010797	Elbow M18X1 M12X1	1
6.29	AQ0001340	OR 8.73x1.78 NBR 70 SH	1
6.30	AC0010794	Shower connection piece G1/2" M12x1 H20.5 CH12	1
7	AQ0009705	OR 32.2x3 NBR 70 SH	2
8	AC0010178	Rosette for bath	2
9	AQ0001600	Gasket 24x16x2 G3/4"	2
10	AQ0009886	Eccentric H.36	2
11	AQ0010587	Perlator cahcò M24x1 antisplash (15.0100.0)	1
12	AQ0010935	Handshower support	1
13	AQ0003120	Hose G1/2" F G1/2" cone L150	1
14	AQ0015375	Hand shower knurled	1
19	AQ0003120	Hose G1/2" F G1/2" cone L150	1



WARRANTY

All IB Rubinetterie SpA products are warranted for 10 years from the date of purchase, for the following cases:

- Defects of casting, porosity and chrome plating.
- Operating defects caused by incorrect fabrication.

The warranty provides for repair or replacement of products with fabrication defects recognized by our technical office. There is no other type of compensation anche the merchandise must be returned FOB our warehouse. The warranty only cover surface defects (scatches, dings, etc.) on fitting that have not been installed and used, returned in its original packaging with all components. O-ring, gasket seals and components subject to wear proportional to use are warranted for 2 years.

The warranty is void in the following cases:

Error installing and putting the product into service.

Deterioration of finished surfaces due to use of cleaning products containing acids or abrasive substances. Deterioration of surface with finishes other than chrome plating. Their durability is, in fact, dependent on the user's care and gentleness of use.

Deterioration of the fitting due incorrect installation.

Improper repairs and maintenance performed without the company's prior authorization.

The warranty from IB Rubinetterie SpA is not renewable.

Cleaning

We recommended cleaning the finish surfaces with water and soap, using a soft cloth.

Do not use detergents that contain hydrochloric acid or abrasive substances.

