

PUPD17007035 piatto doccia/ shower tray

codice  
code



Piatto doccia Puro+ h4 cm 170 X 70  
Puro+h4 cm 170 X 90 shower tray.

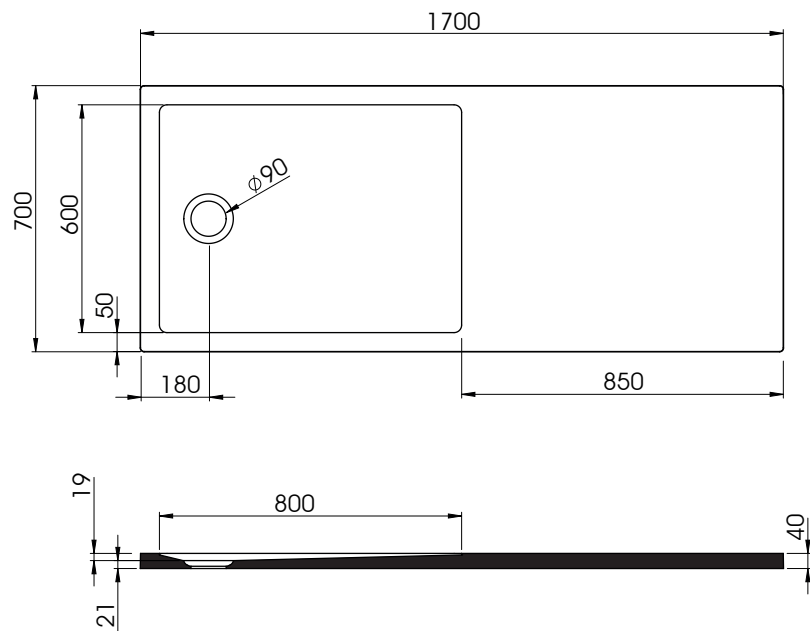
cotone/ cotton

PUPD17007035CT

CM 80x65xh3

scatole/box 1

kg 00



scala/scale 1:20 dimensioni/dimensions in mm

Complementi/complements:

Codice  
code

Codice  
code



Piletta doccia cromo 1" 1/4 di diametro (ø 90)  
con tappo in ABS e completa di curva terminale.  
1" 1/4 (ø 90) diameter waste system for shower tray  
provided with ABS top and terminal bend.

SIF/FR



Piletta doccia 1" 1/4 di diametro (ø 90)  
con tappo in ABS e completa di curva terminale.  
1" 1/4 (ø 90) diameter waste system for shower tray  
provided with ABS top and terminal bend.

SIF/FRC

Specificare il colore al momento dell'ordine  
Specify the color when ordering

TECHNICAL SHEET n°: <b>01</b>	DESIGNER: <b>OFFICINA AZZURRA</b>	CODE: <b>PUPD17007035</b>	Azzurra sanitari in ceramica S.p.a. via Civita Castellana snc 01030 Castel S.Elia (VT) - ITALY Tel.+39.0761 518155 Fax.+39.0761 514560	
SHEET FORMAT: <b>A4</b>	ISO	REVISION: <b>01</b>	SCALE: <b>1:20</b>	DATE: <b>03/10/2019</b>
REGULATIONS:  EN 14527 / EN33 / Dop-14527 *				
All the measurements respect the tolerances provided by the "AZZURRA QUALITY GUIDELINES".				



\* Regulations here shown are exclusively referred to ceramic items