



IB RUBINETTI

Collection

REFLEX

Article

RX327

Description

Wall mounted spout

Box Dimensions

220 x 120 x 40 mm

Weight

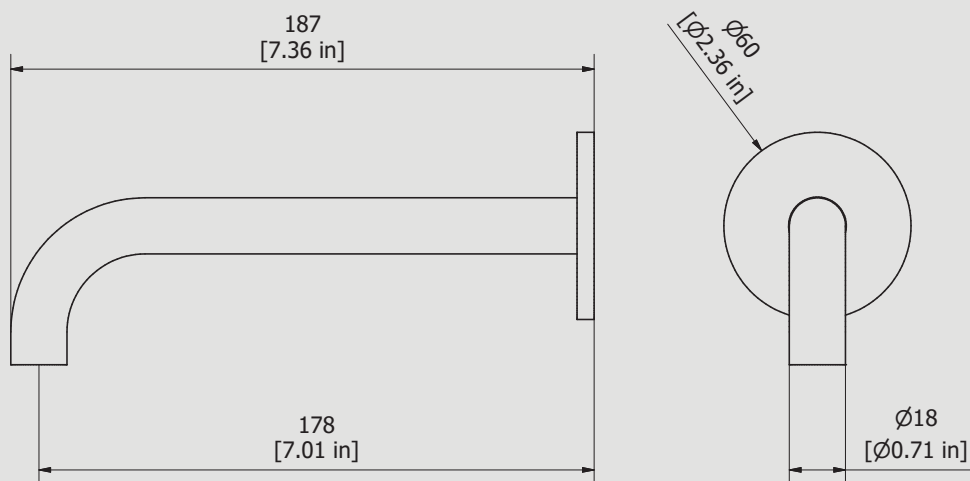
0.2 kg



Finishes

- **CC**
CHROME
- **CF**
BLACK CHROME
- **OO**
GOLD
- **BB**
ANTIQUÉ BRONZE
- **SS**
BRUSHED NICKEL
- **CS**
BRUSHED BLACK CHROME
- **BO**
MATT WHITE
- **NP**
MATT BLACK
- **IS**
BRUSHED PALE GOLD
- **OS**
BRUSHED GOLD
- **II**
PALE GOLD
- **RR**
ANTIQUÉ COPPER
- **RS**
ROSE GOLD
- **ON**
NATURAL BRASS
- **SR**
BRUSHED ROSE GOLD
- **PL**
PLATINUM

Dimensions



Cartridge

Threaded fitting

G1/2" male

Aerator

M16.5x1

Flow Rate (+/-10%)

1 BAR
3.2 l/min

2 BAR
3.8 l/min

3 BAR
3.9 l/min

Production

Main body is a single hot stamped pieces

Material

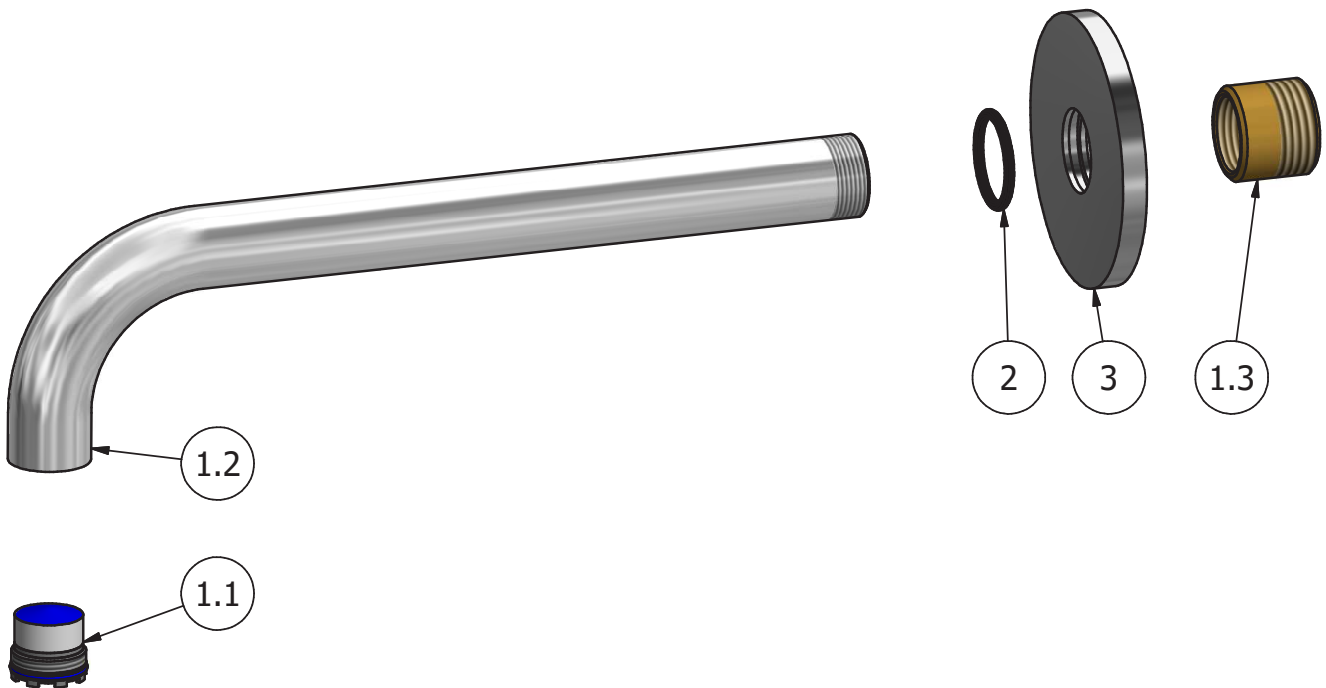
BRASS
According to CuZn42 (CW510L)
Max Lead content: 0.2%





IB RUBINETTI

Parts list			
ELEM	CODE	DESCRIPTION	QT
1	CPX327CC XN_19	Preassembled spout Ø18	1
1.1	AQ0014729	Aerator cachè M16.5x1 neostrahl (01.5175.000)	1
1.2	AC0011995	Spout-out M18x1 M16.5x1 Ø18 L194	1
1.3	AS0016647	Fitting G1/2M M18X1F L18	1
2	AQ0006997	OR 18x2 NBR 70 SH	1
3	AC0016653	Rosotte Ø60 H5.5 con OR	1



WARRANTY

All IB Rubinetterie SpA products are warranted for 10 years from the date of purchase, for the following cases:

- Defects of casting, porosity and chrome plating.
- Operating defects caused by incorrect fabrication.

The warranty provides for repair or replacement of products with fabrication defects recognized by our technical office. There is no other type of compensation anche the merchandise must be returned FOB our warehouse. The warranty only cover surface defects (scatches, dings, etc.) on fitting that have not been installed and used, returned in its original packaging with all components. O-ring, gasket seals and components subject to wear proportional to use are warranted for 2 years.

The warranty is void in the following cases:

Error installing and putting the product into service.

Deterioration of finisched surfaces due to use of cleaning products containing acids or abrasive substances. Deterioration of surface with finishes other than chrome plating. Their durability is, in fact, dependent on the user's care and gentleness of use.

Deterioration of the fitting due incorrect installation.

Improper repairs and maintenance performed without the company's prior authorization.

The warranty from IB Rubinetterie SpA is not renewable.

Cleaning

We recommended cleaning the finish surfaces with water and soap, using a soft cloth.

Do not use detergents that cointain hydrochloric acid or abrasive substances.

