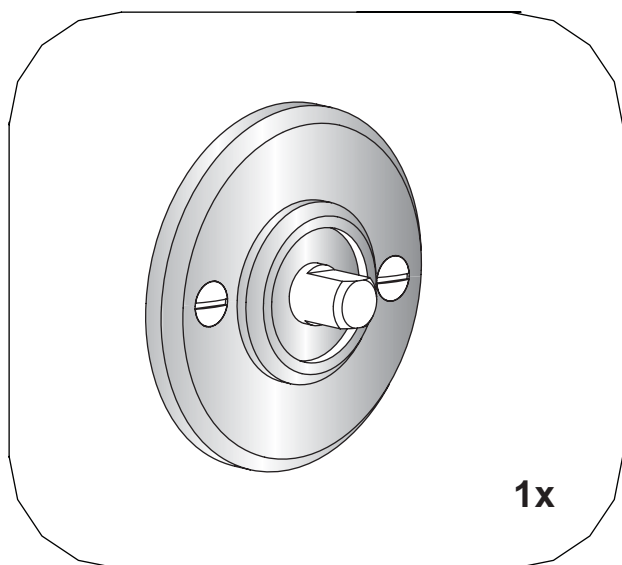


Parts supplied:



Tool required:



- ① Determine the final installation position. Clean the surface, and make sure it is dry.
- ② Following the directions for the use of the epoxy adhesive, and apply to the installation surface of the accessory back plate.
- ③ Allow three hours for the epoxy adhesive to set completely, and then attach the accessory to the back plate.