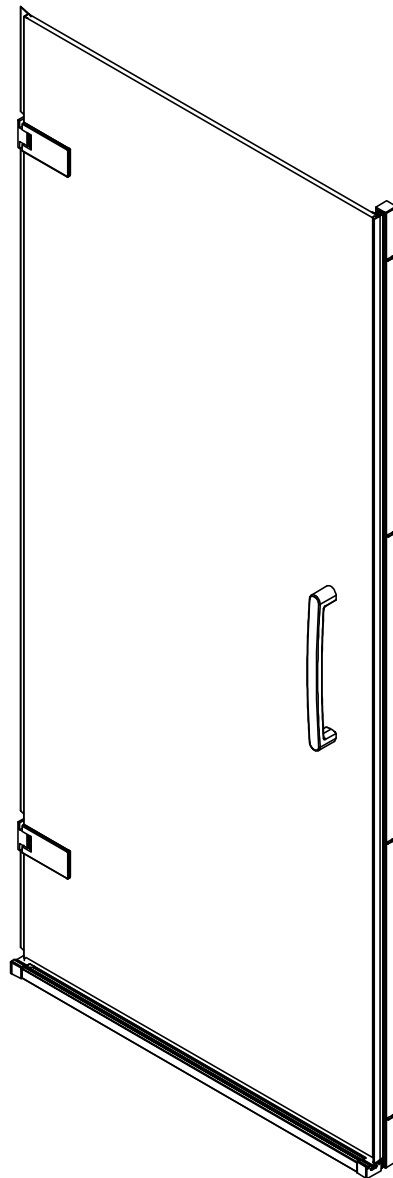


Wall Hinge Door-Recess



INSTALLATION GUIDE

IMPORTANT: Please read the complete instructions before commencing fitting.

Make sure the tray is 100% level in all directions.

Check that you have the tools required.

Check the installation site is compatible with the sizes of door supplied.

Check all the enclosure components are present.

Check the installation kit is complete.

Do Not attempt to install the product unless you can tick all 4 boxes satisfactory.

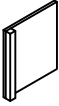
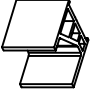
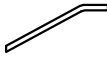


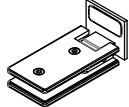

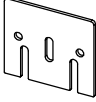
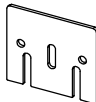
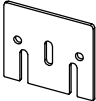








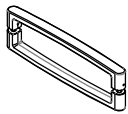





The wall plugs supplied with the installation kit are for use in solid walls. Hollow or 'stud partition' walls will require alternative fixings. Please consult a hardware supplier for the correct type.

ATTENTION: TAKE EXTREME CARE WHEN HANDLING GLASS, WEAR PROTECTIVE EYEWEAR AND CLOTHING. DO NOT LEAVE THE GLASS ON HARD SURFACES AND AVOID CONTACT BETWEEN THE GLASS EDGES AND HARD SURFACES OR IMPACTS DURING THE INSTALLATION.

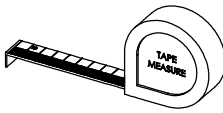
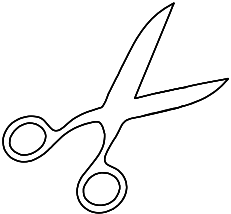
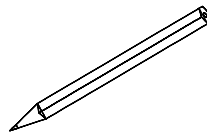
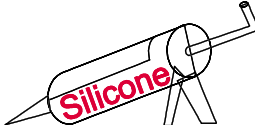
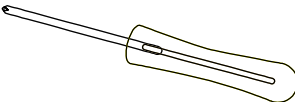
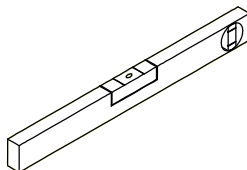
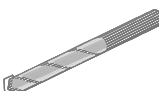

Fixing kit components

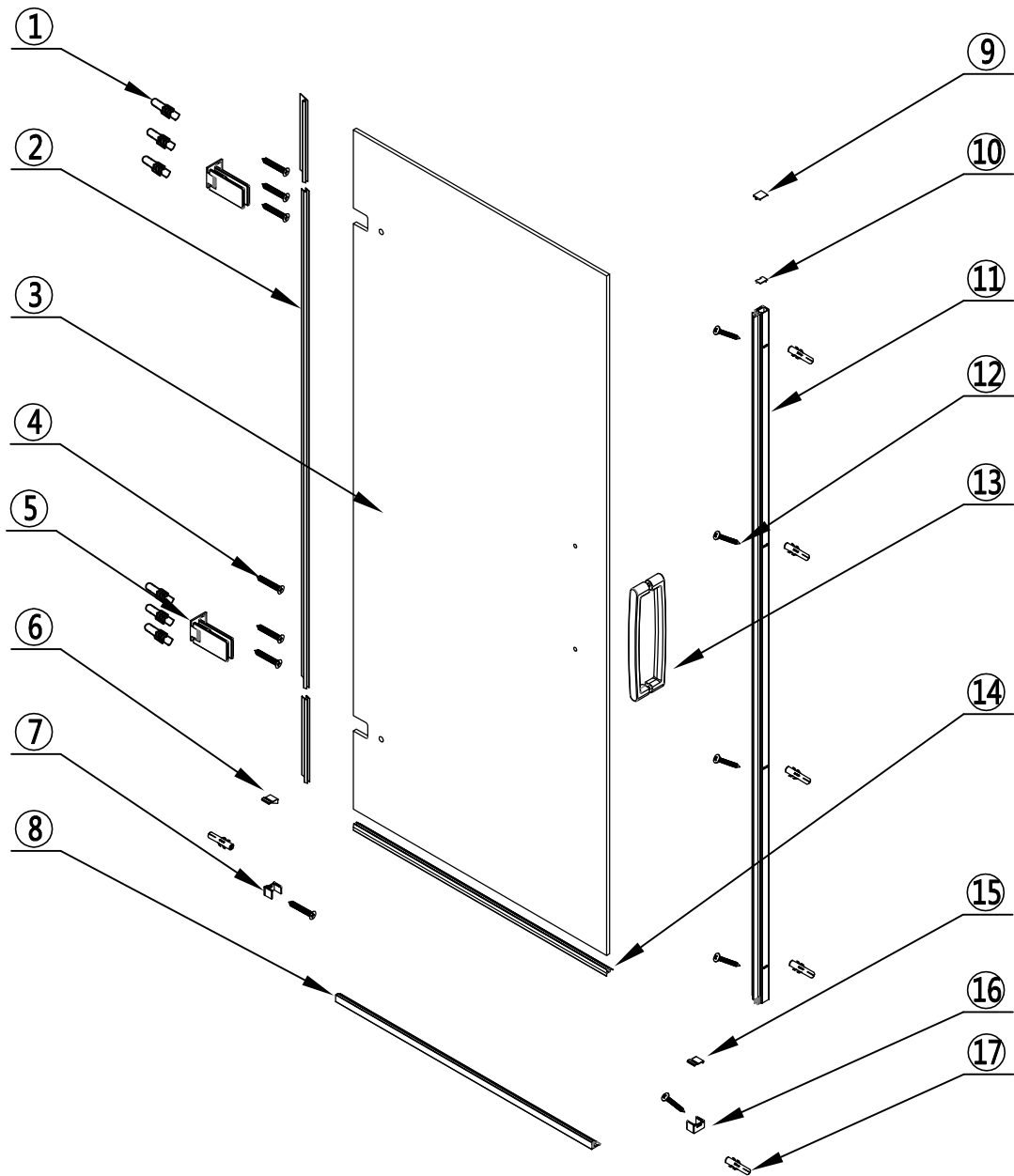


Note: Extra components have been supplied to make this product suitable for left or right hand configuration and therefore some parts will be surplus to requirements.

| | | | | | | |
|---|---|---|--|--|---|--|
|  MGVC45 Installation x1 |  MGVC19A x2 |  MGVC20A x4 |  MGVC13A x1 |  MGVC14A x1 |  MG3DL2142 x2 |  MGCAP x4 |
|  MGVC10 x2 |  MGVC11 x2 |  MGVC12 x2 |  MGVCHTEMP x2 | |  A06S0046 x2 |  MGVCS0107 x2 |
|  MGST5X65 x6 |  ST4x20 x5 |  MGST4x30 x6 |  MGVC09L x1 |  MGVC09R x1 |  MGVC27 x1 |  8S1300511 x1 |
|  MG8x51PLUG x6 | |  MG6x30PLUG x6 |  MGVC21L x1 |  MGVC21R x1 | | |

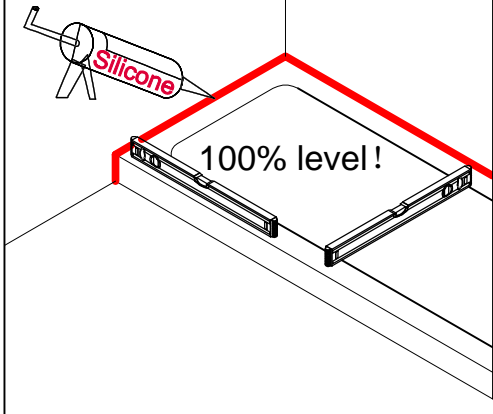
Tools required

| | | | |
|---|---|--|---|
|  |  |  |  |
|  |  |  |  |
| PH2 | | Ø6&Ø8 | |

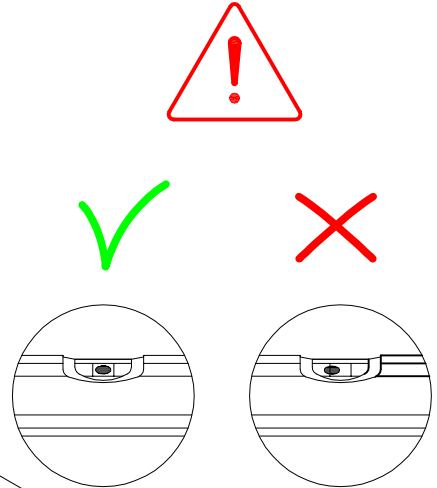


| No. | QTY | Descriptions | Part No. | No. | QTY | Descriptions | Part No. |
|-----|-----|---|-----------------|-----|-----|--|------------|
| ① | 6 | Wall plug 8x51 | MG8x51PLUG | ⑩ | 1 | Cover cap for the wall profile | MGVC14A |
| ② | 1 | Upright water seal set left/right | MGVC32LSET/RSET | ⑪ | 1 | Compleat adjusting profile | MGVCAPSET |
| ③ | 1 | Door panel | GMGDP | ⑫ | 6 | Screw 4x30 | MGST4×30 |
| ④ | 6 | Screw 5×65 | MGST5X65 | ⑬ | 1 | Main Handle | MGVC27 |
| ⑤ | 2 | Hinge | MG3DL2142 | ⑭ | 1 | Bottom water seal | MGVC30A |
| ⑥ | 1 | Cover cap of bottom bracket left /right | MGVC09L/R | ⑮ | 1 | Cover cap of bottom bracket right/left | MGVC09R/L |
| ⑦ | 1 | Bottom bracket left/right | MGVC21L/R | ⑯ | 1 | Bottom bracket right/left | MGVC21R/L |
| ⑧ | 1 | Track | GHKE | ⑰ | 6 | Wall plug 6x30 | MG6x30PLUG |
| ⑨ | 1 | Cover cap for the upright profile | MGVC13A | | | | |

Step 1



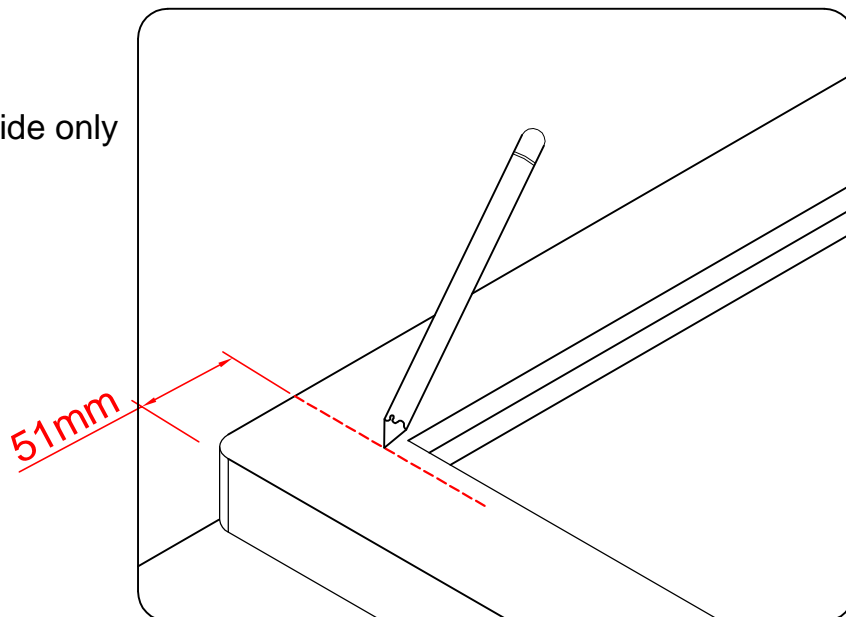
IMPORTANT!
Whether fitting on a tray or on a tiled
Wetroom the tray or floor must be 100% level !



Step 2

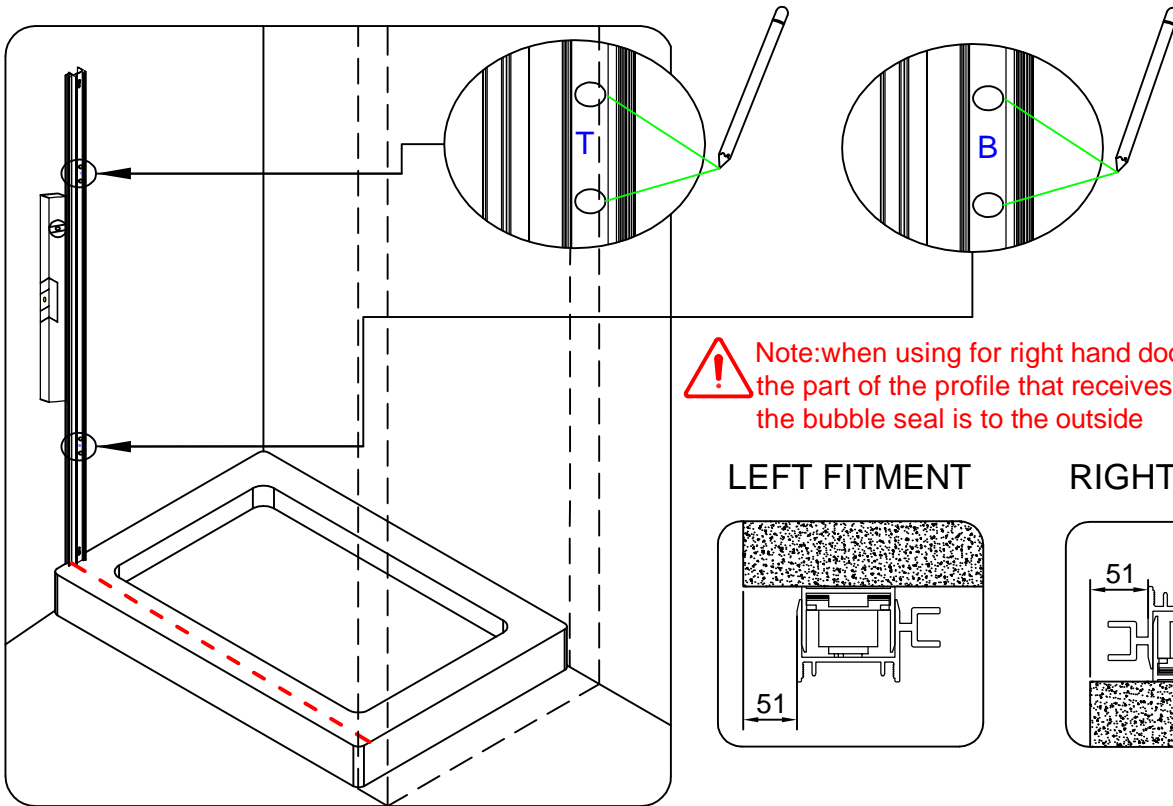
Mark inwards 51mm from front edge of tray, on the side the door is to be fixed.


Hinge fixing side only



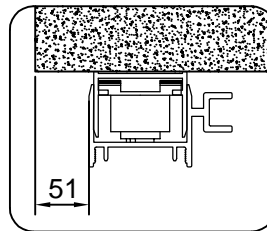
Step 3

The closing post is first used to mark the 4 fixing points for the hinges. On the hinged side place the post to the mark and plumb. Mark the wall through the holes above and below label "T" & "B".

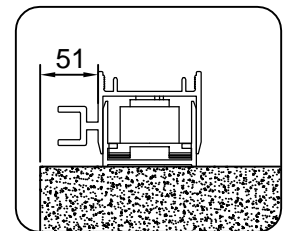


 Note: when using for right hand door the part of the profile that receives the bubble seal is to the outside

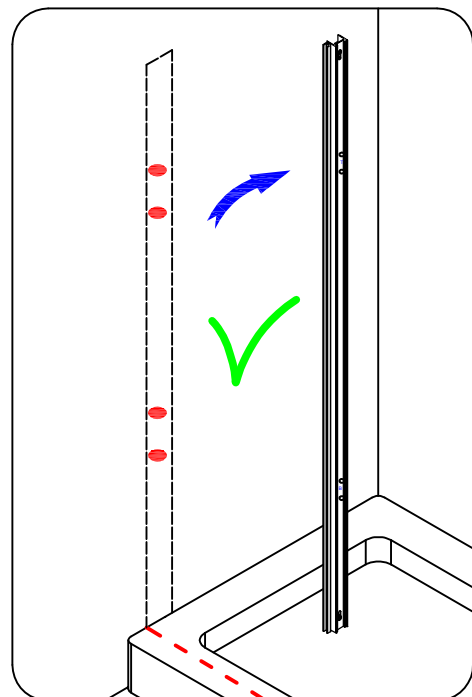
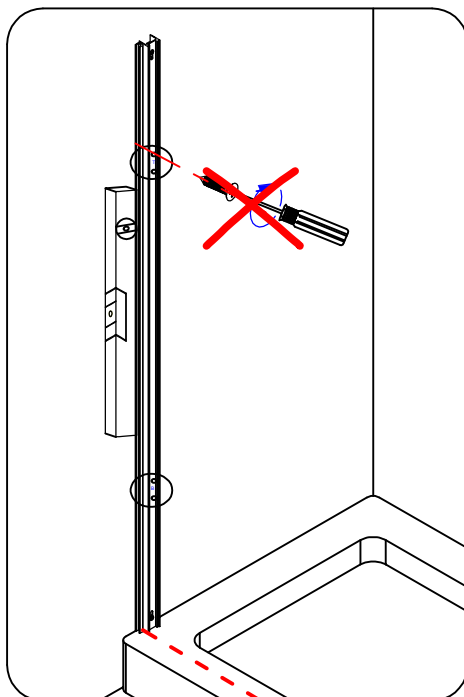
LEFT FITMENT



RIGHT FITMENT




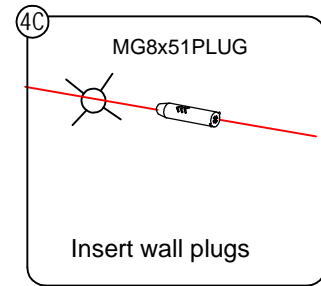
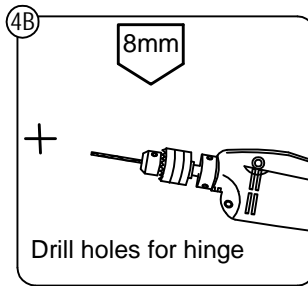
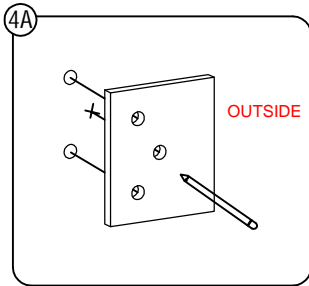
NOTE: Do not fix closing post!



Step 4

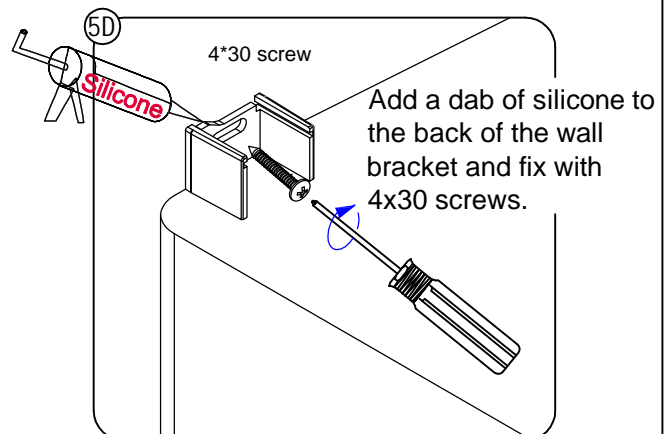
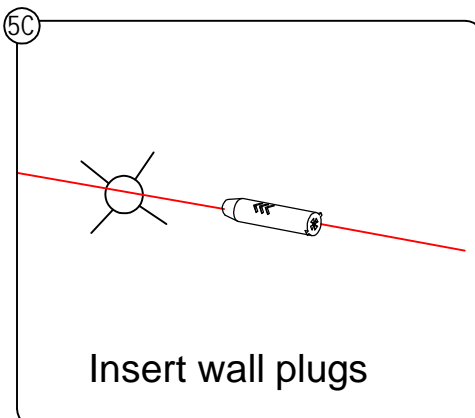
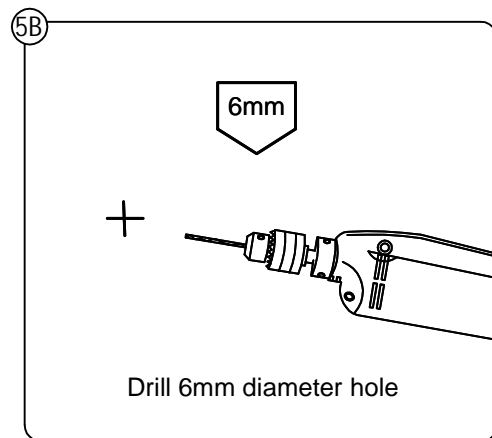
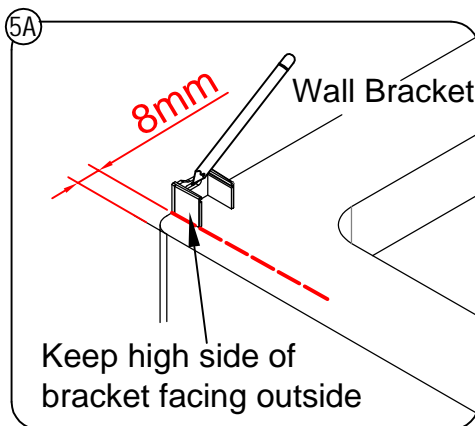
Remove profile. Take the plastic template and line it up with each set of marks. Mark the third hole.

Note: Make sure the third hole for each hinge is marked towards the outside of the enclosure. Drill holes for the hinge with 8mm masonry bit and insert wall plugs. Ensure wall plugs are flush with the wall. 



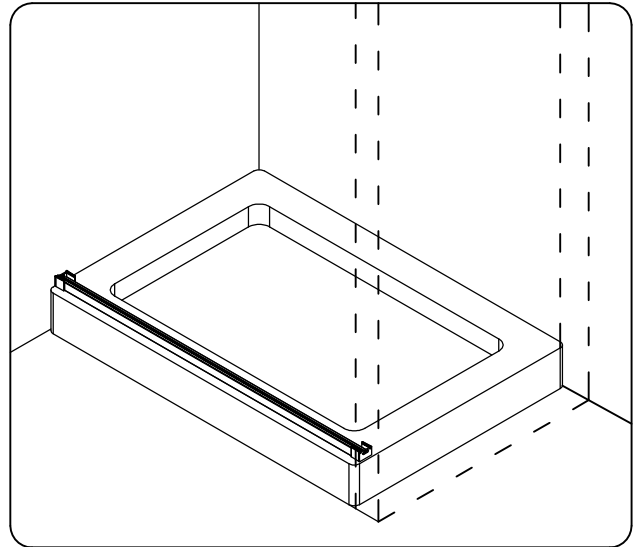
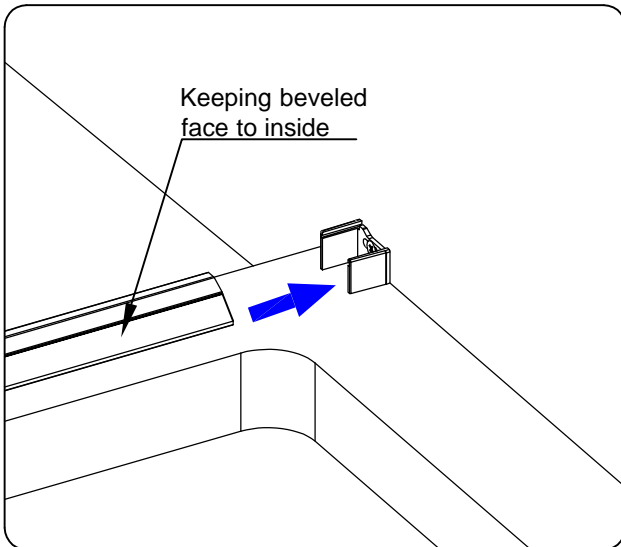
Step 5

Remove cover caps to each bracket (MGVC21). Position brackets 8mm inwards from edge of tray Mark wall through slot. Drill 6mm diameter hole centre of slot and fix bracket both sides. Add a dab of silicone to the back of the wall bracket and fix with 4x30 screws.



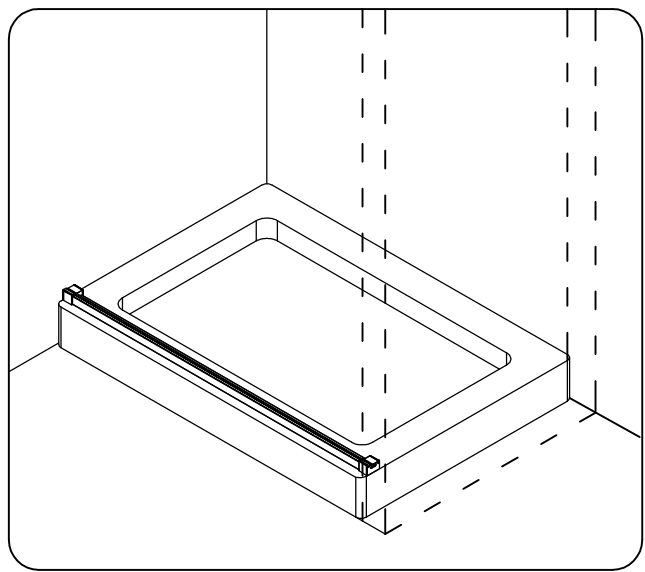
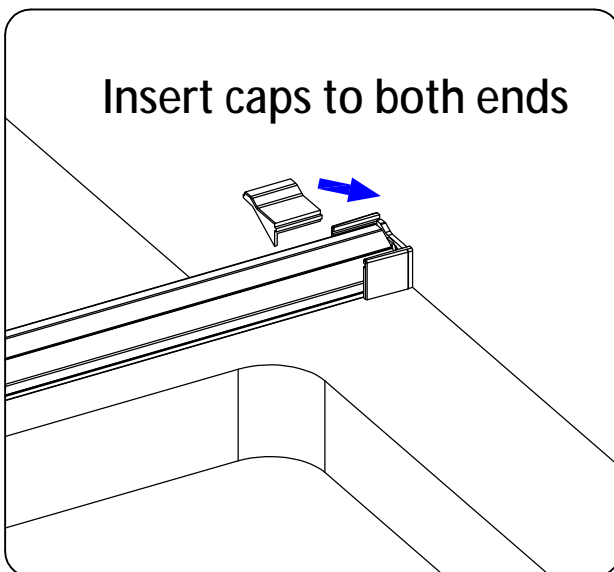
Step 6

Insert track into brackets keeping beveled face to inside. Fit brackets to end of track.



Step 7

Slide caps into position.

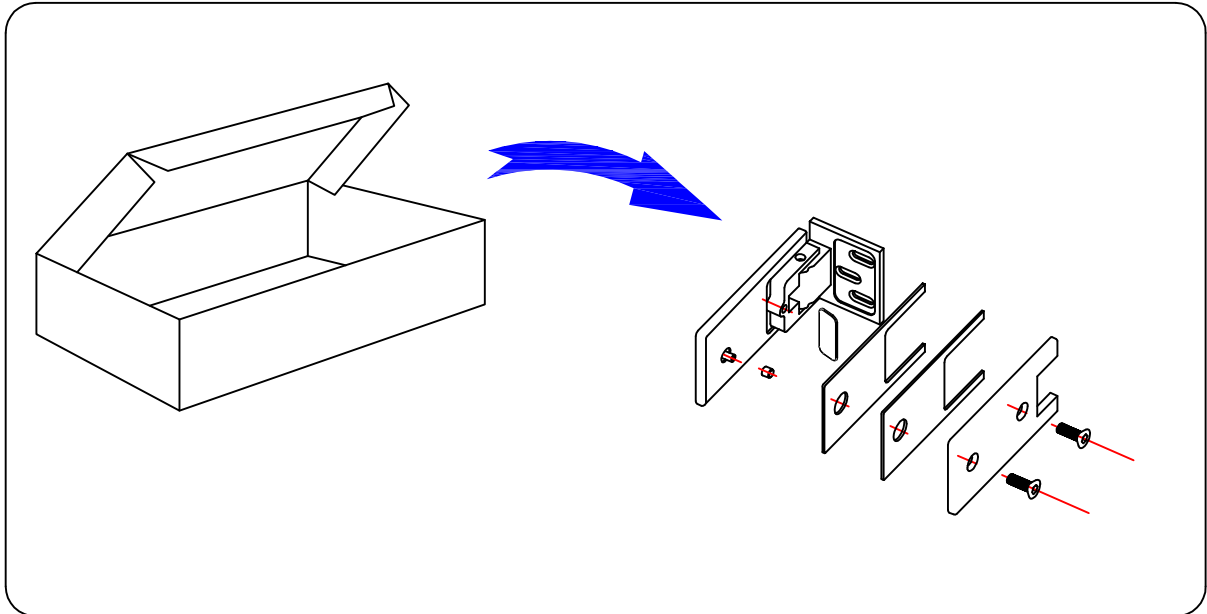


Step 8

Please note: Door panel is reversible for left or right handing !



Remove hinge back plate and gasket.



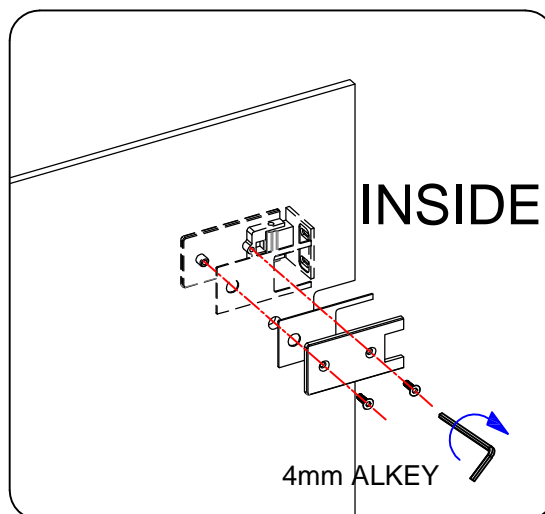
Step 9

Fit hinge to door keeping removable hinge plate to inside of door.

Tip: Use MDF tool for squaring hinges.

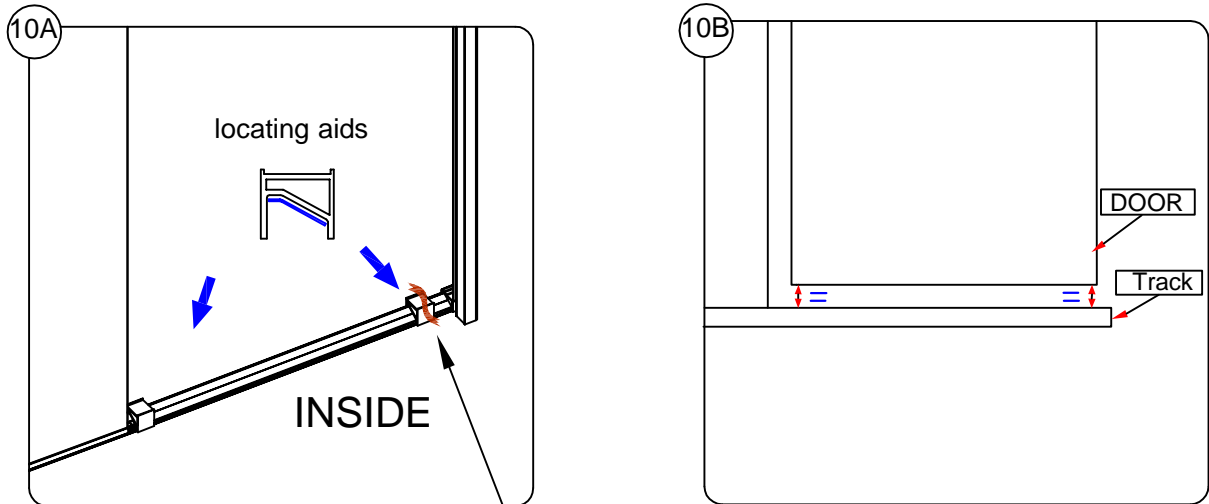


Please note: Place screws and screwdriver inside enclosure.



Step 10

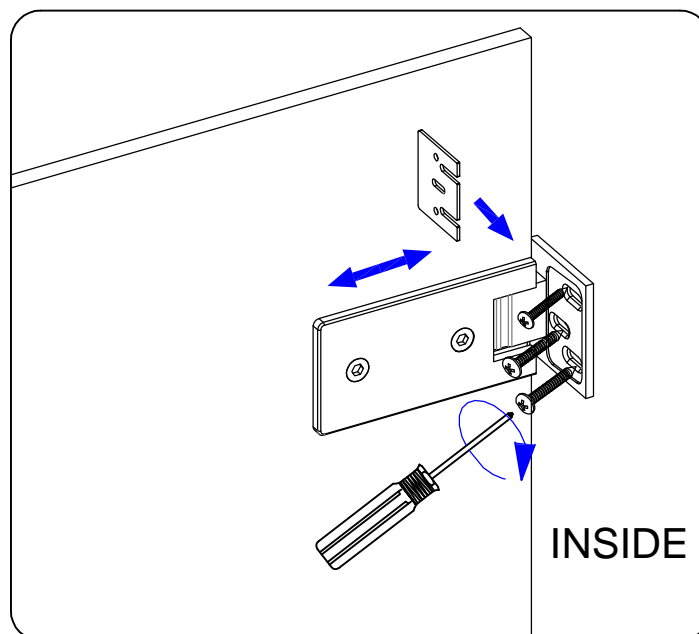
Place locating aids on threshold, one each side of opening. Lift door onto locating aids.



Tip! Hold both locating aids in position with masking tape.

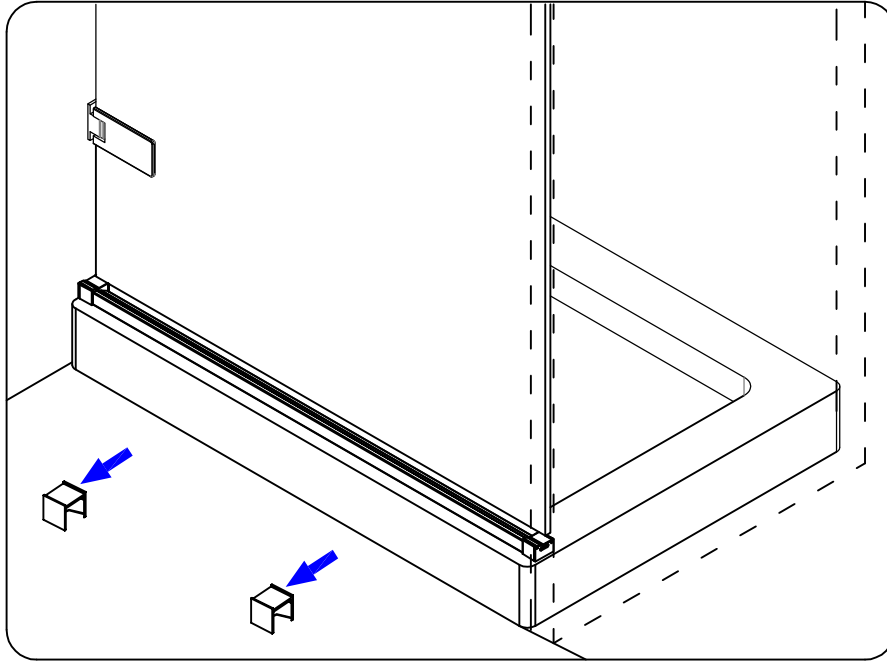
Step 11

Loosely fix hinges to wall starting at the top. If needed insert packers provided behind hinge plate to ensure closing edge of glass panel is plumb.



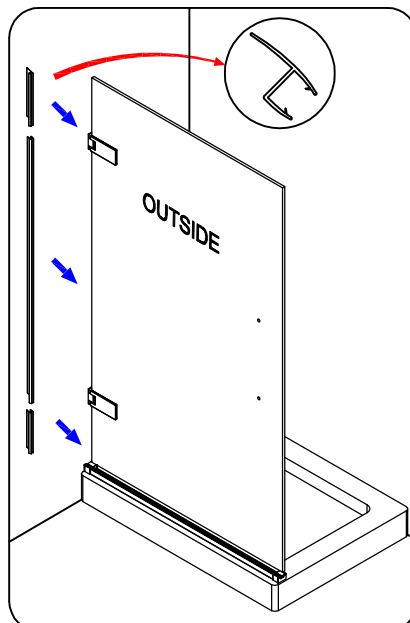
Step 12

To remove bottom positioning aids open door outwards.



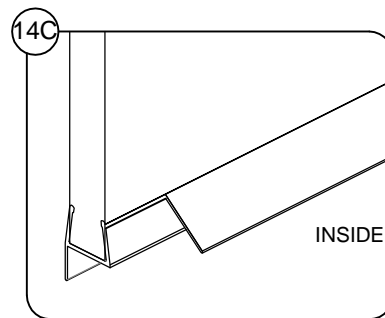
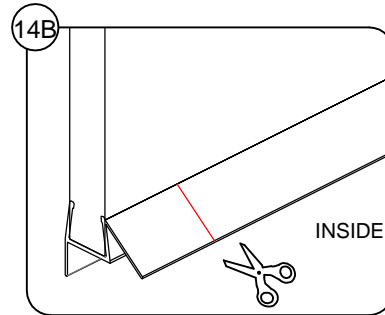
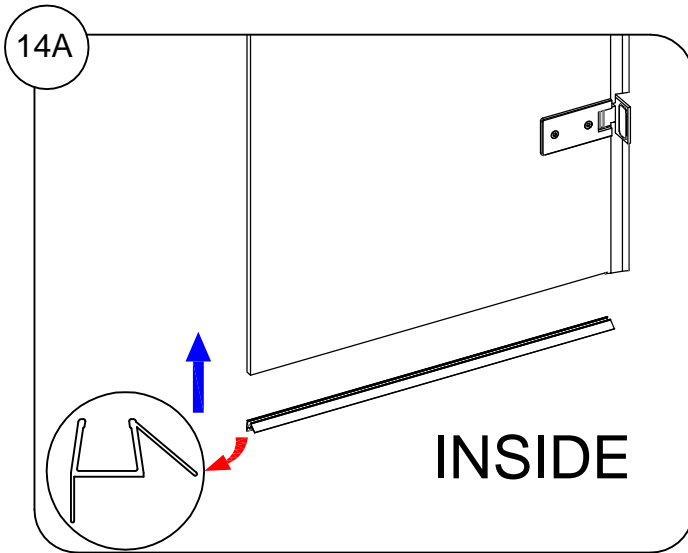
Step 13

Left and right hand seal kits are provided, determine handing and use appropriate seal kit. Left hand model shown below. Push on longest seal between hinges onto back edge of door keeping fin to inside. Take seal with 45° cut and fit to bottom of door keeping 45° cut to bottom. Fit remaining seal to top.



Step 14

To fit bottom seal push on end with 45° cut tight to corresponding cut in vertical seal. Notch fin to end of bottom seal where it meets the closing seal.



Step 15

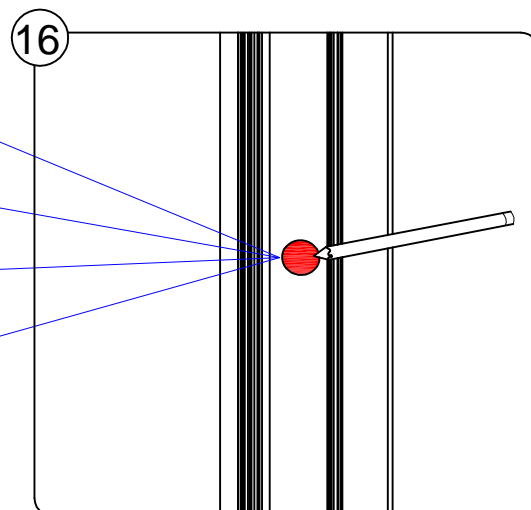
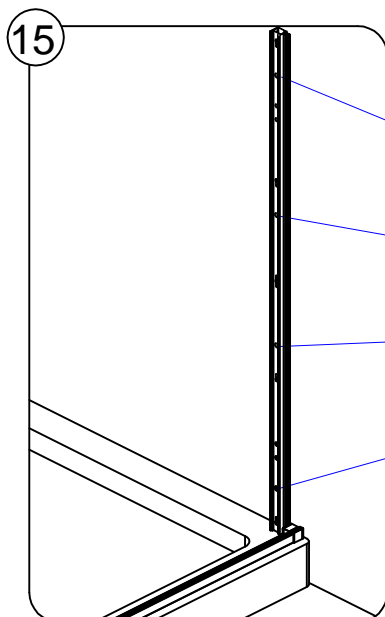
Take door closing post and place tight to inside of bracket.

Note: edge that receives bubble seal faces outwards.



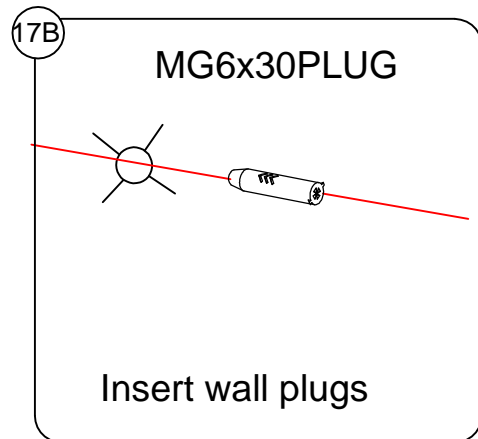
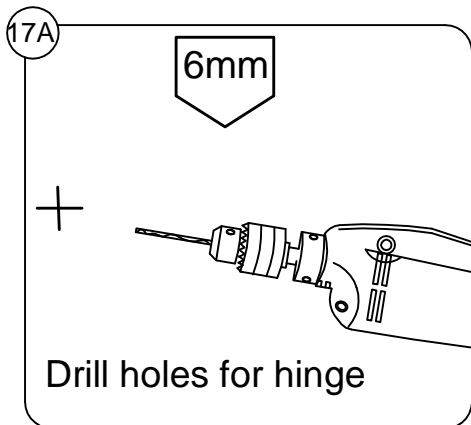
Step 16

Plumb door closing post and mark wall through pre drilled holes.



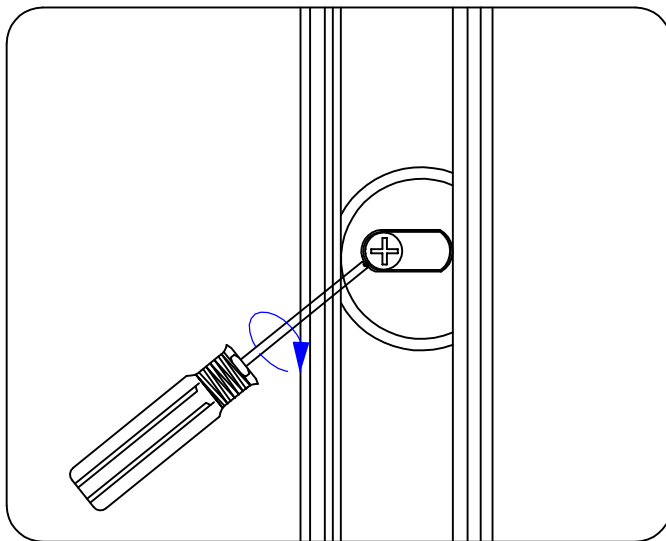
Step 17

Remove profile and drill holes for wall brackets with diameter 6mm masonry bit and insert wall plugs. Make sure wall plugs are flush with tile.



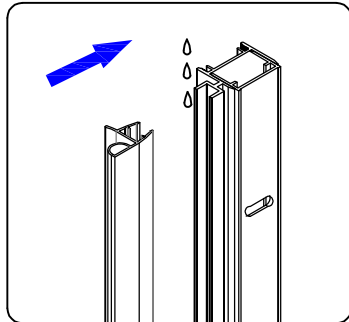
Step 18

Fix closing post with screws **4x30mm** through large hole in front of post through to the slotted hole in back of post.



Step 19

Fit bubble seal to post starting at the bottom and working to top. To help fit the upright seal lightly spray some water on the profile.

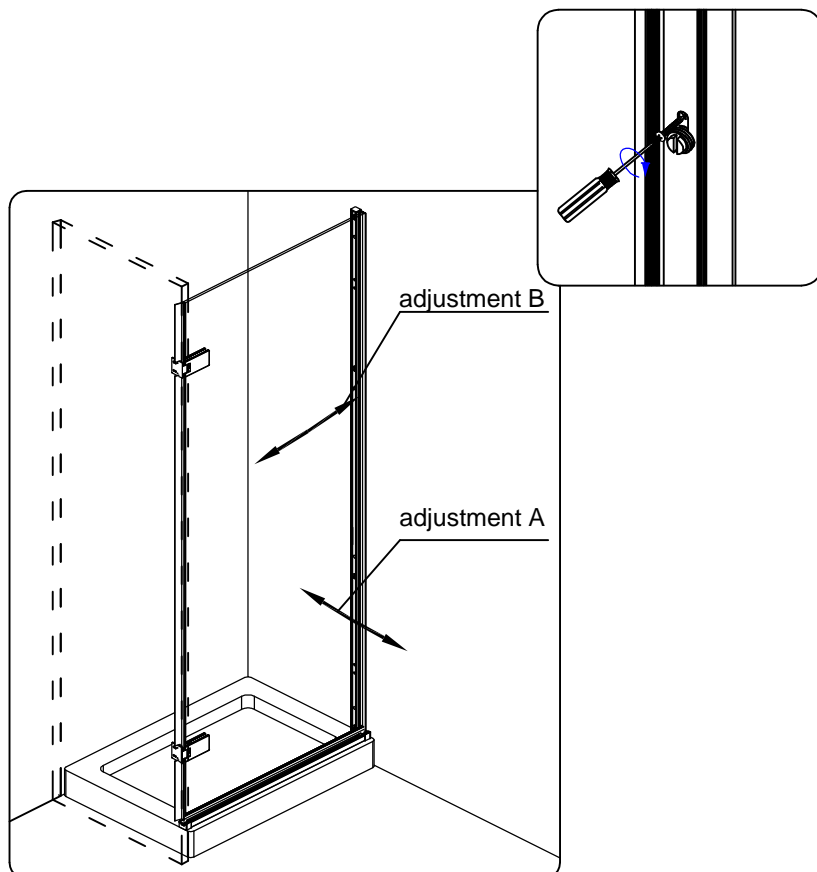


Step 20

To align the seal on the closing post with door (adjustment B), loosen all the metal screws beside the plastic grub screws. Adjust the plastic grub screws while checking the door against the seal. Once the seal holds the door in the fully closed position tighten the metal screws. Ensure the seal holds the door evenly from top to bottom.

Note:

If profile is at max adjustment use longer adjusting screws provided. Adjustment A can be changed by loosening the fixing screws and moving post, then tighten screws.



Step 21

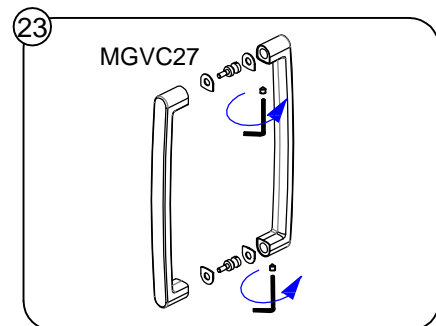
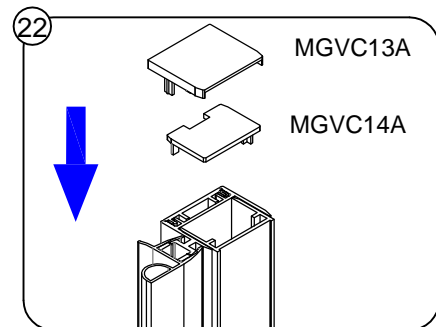
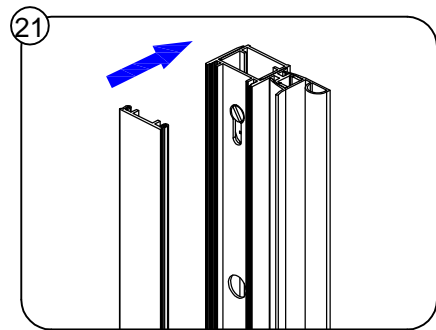
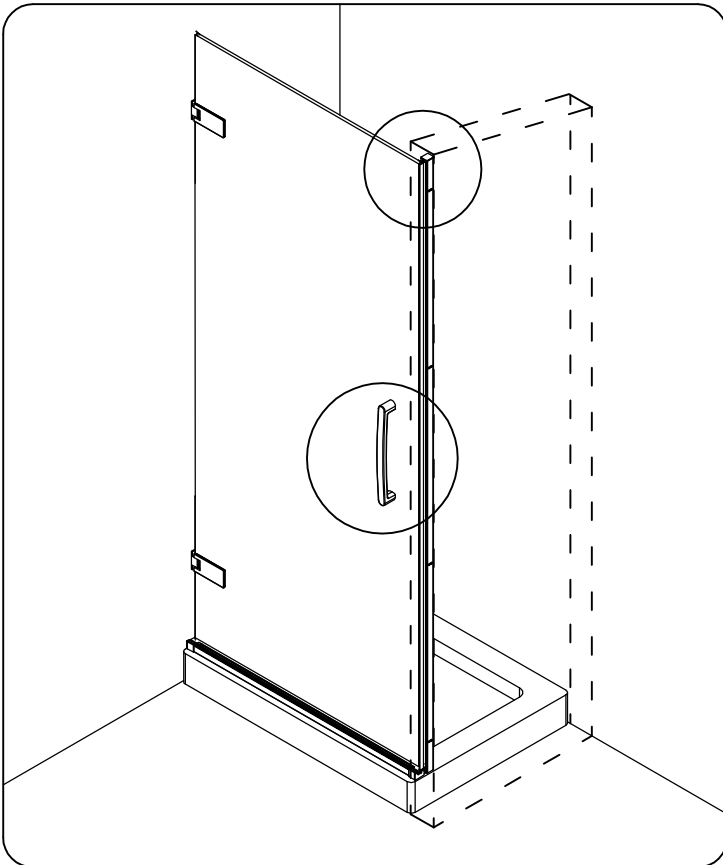
Fit the cover profile to the closing post starting at the bottom by pressing firmly into position work from top to bottom.

Step 22

Fit caps **MGVC13A** and **MGVC14A** to the top of the closing profile.

Step 23

Fit the handle to the door.



Step 24 Sealing your enclosure.

Make sure all surfaces are thoroughly cleaned and dry before applying sealant.

Only seal out side of the enclosure (red line). Do not seal the inside.
Seal vertically between the wall and the closing post profile. Along the out side edge of the bottom profile and any joins in the profile, including where the bottom track meets the end brackets.

