

MARGAUX

Margaux 70" x 30" x 27" Freestanding Oval Cast Iron Bathtub

MABT01



TECHNICAL DETAILS

Bathing Type: Bathing and Soaking
Bathing Well Sitting Angle: 107 degree_angle
Bottom Angle / Pitch: 1.25 degree_angle
Depth to Overflow: 16 1/2"
Drain Hole Depth: 1"
Drain Hole Diameter: 2 1/2"
Drilling Option: None
Depth / Width: 30"
Height: 27"
Installation Type: Freestanding
Item Weight (Filled): 1068.0 pounds
Length: 70"
Material / Wall Thickness: 5/16"
Overflow Hole Diameter: 1 7/8"
Overflow Opening: Yes
Primary Material: Cast Iron
Suggested Application: Bath

INSPIRATION

Vintage European tub styling in a larger silhouette encourages luxuriously long baths. Gracious, gentle curves are highlighted by the rich patina of the burnished cast iron exterior and cool, white enamel interior.

PRODUCT FEATURES

The flared skirt of Margaux emphasizes the bold ogee base of the tub.

Double ended and wider for added comfort and easy installation.

Available with optional slip resistant bottom, a built in safety feature.

The exterior of primed bathtubs must be finished with a high quality paint before installation.

Due to the manual finishing process, burnished bathtubs will show variation in the amount of exterior finish distress.

PRODUCT (NOTES)

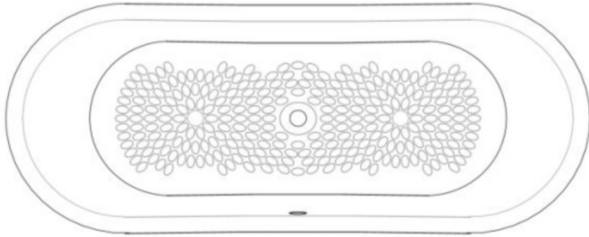
Dimensions of fixtures are nominal. Measure your actual product for rough-in details.

WATERWORKS

MARGAUX

MABT01

Margaux 70" x 30" x 27" Freestanding Oval Cast Iron Bathtub



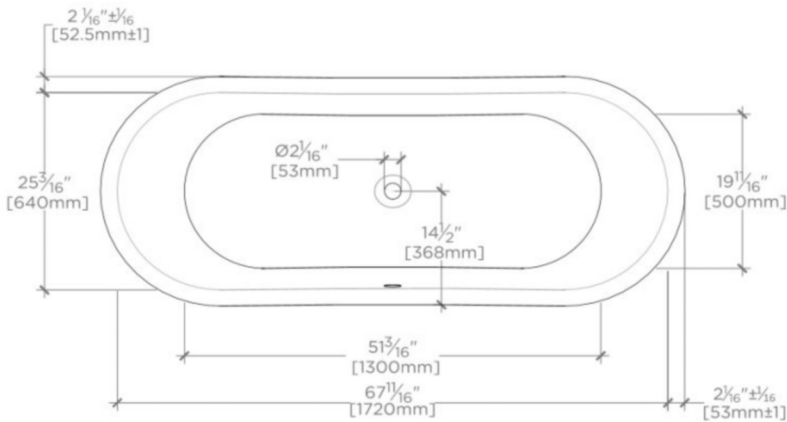
OPTIONAL SLIP RESISTANT

SCALE: 1/2"=1'-0"

RECOMMENDED WASTE & OVERFLOW STYLE #:

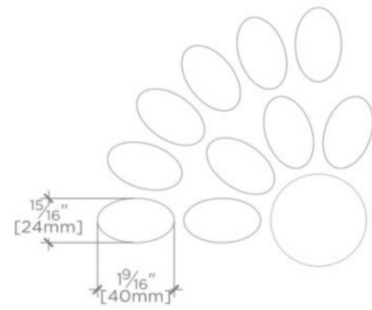
MAWO10 - Waste and Overflow

Dimensional Tolerance	
> 7 ⁷ / ₈ " [200mm]	± 0.8%
< 7 ⁷ / ₈ " [200mm]	± 1.8%



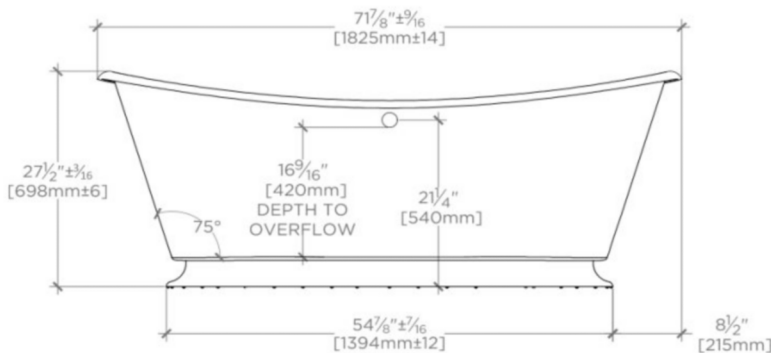
TOP VIEW

SCALE: 1/2"=1'-0"



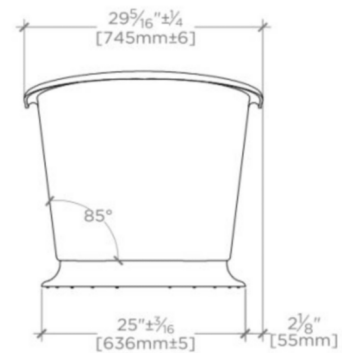
SLIP RESISTANCE PATTERN

SCALE: 3"=1'-0"



SIDE VIEW

SCALE: 1/2"=1'-0"



END VIEW

SCALE: 1/2"=1'-0"