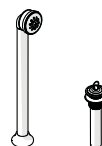


INSTALLATION GUIDELINES



STYLE No. MAWO10

Margaux Drain Plug Waste and Overflow Drain

IMPORTANT:

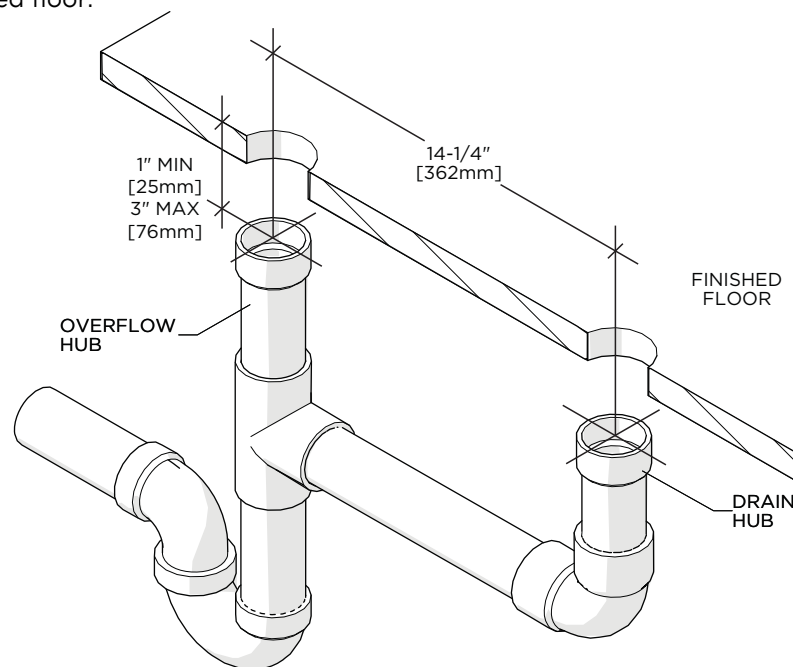
- To ensure this product is installed properly, you must read and follow these guidelines.
- The owner/user of this product must keep this information for future reference.
- This product must be installed by a professional licensed contractor. Be sure your installation conforms to all federal, state, and local codes.
- Adequate floor support is required. Ensure the BATHTUB is properly supported by the base.
- Take all necessary precautions to ensure the BATHTUB is protected during installation. Do **NOT** install this product if the BATHTUB is damaged.
- Inspect this product to assure it is the correct model and you have all parts required for proper installation.
- All final connection are made below the finished floor. Accessibility below the finished floor is recommended.
 - For installations where access from below the finished is limited, i.e. slabs, the SLIP JOINT GASKETS provided are required. The GASKETS are design to fit into the hub of a 1-1/2" schedule 40 ABS/PVC DWV fitting (not provided).
 - For Installations that have access from below the finished floor, TRAP ADAPTERS (not provided) can be used instead of the SLIP JOINT GASKETS.
- The use of certain plumber's putty may stain stone or tile surfaces.
- If further assistance is required, please contact Product Support at 1-800-927-2120 Monday through Friday, 8am - 6pm EST.
- Refer to the separate Service Parts Documents for available replacement parts.

TECHNICAL DETAILS:

DETAIL	SPECIFICATION
DRAIN HOLE DEPTH	1-1/2" [38mm] MAX - 3/8" [10mm] MIN
DRAIN HOLE DIAMETER	2" [51mm]
OUTLET CONNECTION	1-1/2" TAILPIECE WITH SLIP JOINT GASKET
OVERFLOW HOLE DIAMETER	2-1/4" [57mm] MAX - 1-7/8" [48mm] MIN

ROUGH-IN FOR SLIP JOINT GASKET INSTALLATION:

1. Determine the placement of the BATHTUB and mark the floor at the center point of the waste and overflow openings then drill holes through the floor to accommodate the drain.
2. Rough-in a 1-1/2" DWV (not supplied) with an on-center spread of 14-1/4" [362mm]. In order for the TAILPIECE and OVERFLOW RISER to be securely installed, all DWV pipes and fittings must be well supported to eliminate the possibility of shifting and the top of the DRAIN HUBS must be between 1" [25mm] - 3" [76mm] from the finished floor.



[CAUTION: DRAWING NOT INTENDED FOR USE AS A PIPING SCHEMATIC]

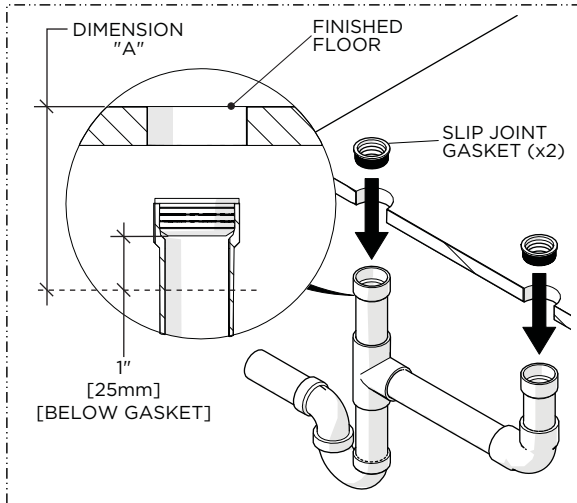
WATERWORKS

INSTALLATION GUIDELINES



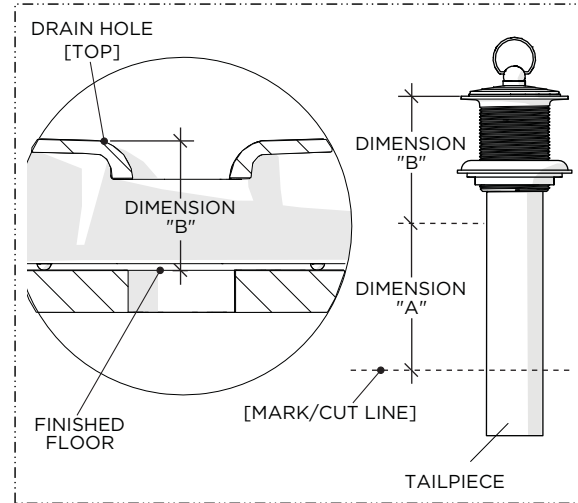
STYLE No. MAWO10

Margaux Drain Plug Waste and Overflow Drain

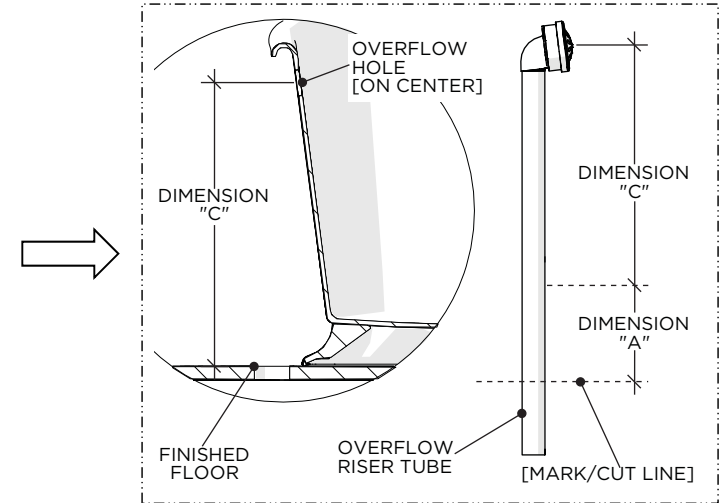


1. Insert the SLIP JOINT GASKETS (x2) into the HUBS then measure from the finished floor to 1" [25mm] below the bottom of the GASKETS.

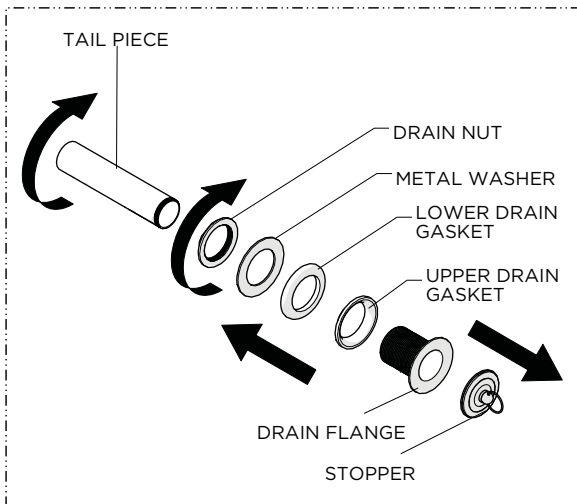
DIM A: _____



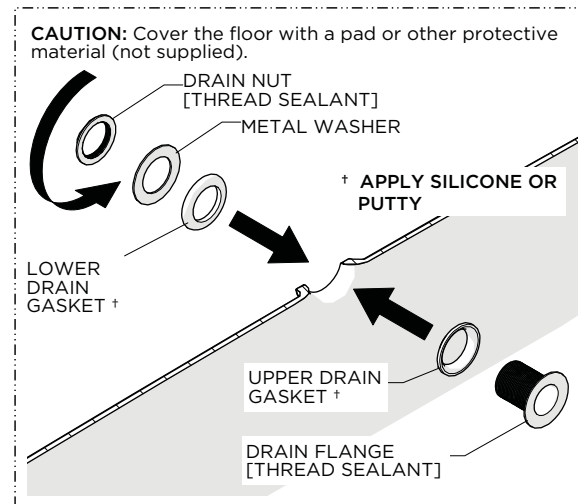
2. Measure (DIMENSION "B") from the top of the DRAIN HOLE [TOP] to the finished floor then, using the previous DIMENSION "A", mark and cut the DRAIN TAILPIECE.



3. Measure (DIMENSION "C") from the center of the OVERFLOW HOLE [ON CENTER] to the finished floor then, using the previous DIMENSION "A", mark and cut the OVERFLOW RISER TUBE.

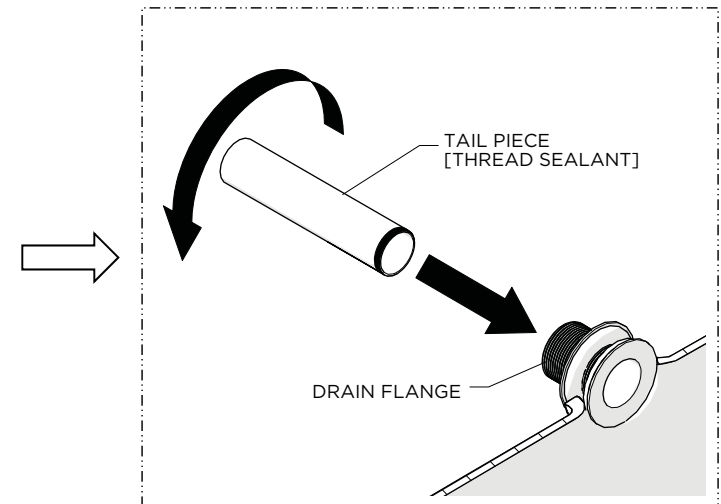


4. Remove the STOPPER, UPPER and LOWER DRAIN GASKETS, WASHERS, NUT and TAILPIECE from DRAIN FLANGE.



5. With the BATHTUB on its side, apply a **generous** bead of silicone or putty to the UPPER and LOWER GASKETS and set the FLANGE then thread and securely tighten the NUT onto the FLANGE.

NOTE: Thread sealant is recommended and may be applied to the FLANGE threads.

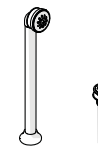


6. Thread the TAILPIECE into the DRAIN FLANGE.

NOTE: Thread sealant is recommended and may be applied to the TAILPIECE threads.

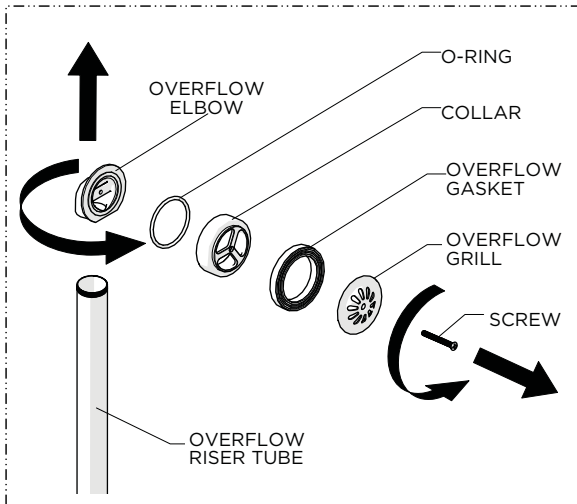
WATERWORKS

INSTALLATION GUIDELINES

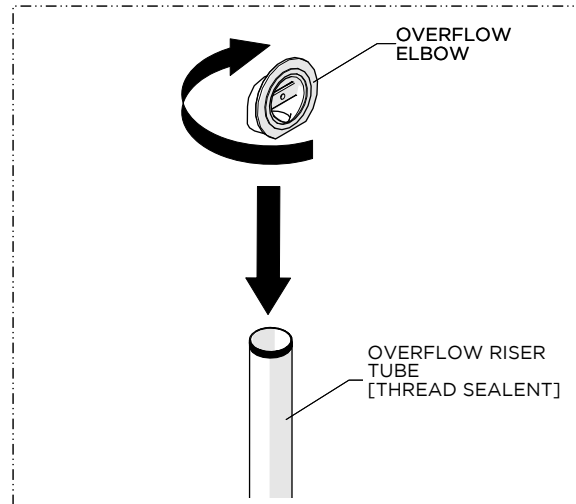


STYLE No. MAWO10

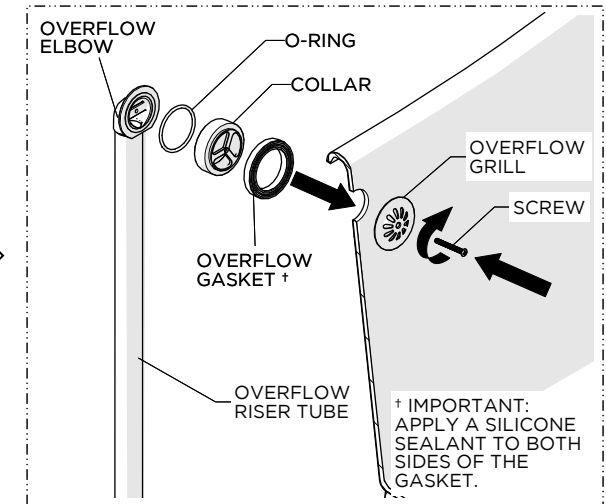
Margaux Drain Plug Waste and Overflow Drain



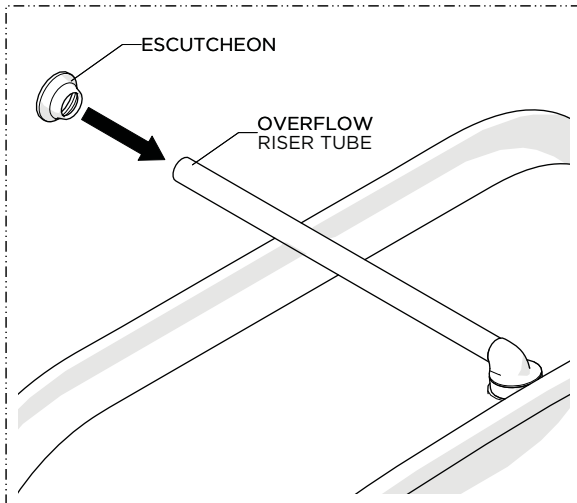
7. Unthread and remove the SCREW, OVERFLOW GRILL, OVERFLOW GASKET, COLLAR, and O-RING. Remove OVERFLOW RISER PIPE from OVERFLOW ELBOW.



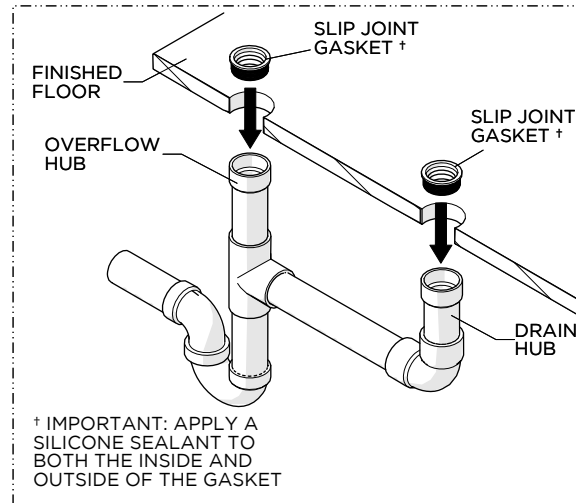
8. Apply thread sealant or pipe dope to the threads on the RISER TUBE then thread and securely tighten the ELBOW onto the TUBE.



9. Apply a generous bead of silicone sealant to both sides of the OVERFLOW GASKET then assemble the OVERFLOW RISER TUBE to the BATHTUB making sure to include the COLLAR and O-RING and securely tightening the SCREW.

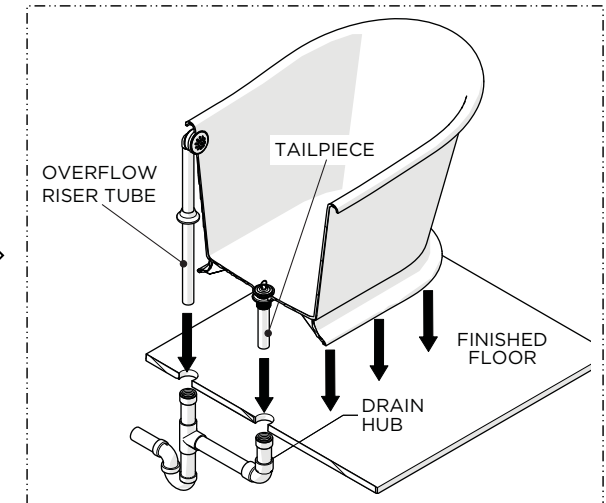


10. Slide the ESCUTCHEON onto the OVERFLOW RISER TUBE.



11. Apply a generous coating of a clear adhesive silicone sealant to both the **inside** and **outside** of the SLIP JOINT GASKETS and insert the GASKETS into the DRAIN HUBS.

NOTE: The silicone will act as a lubricant and as a seal when it cures.



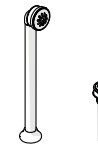
12. Position the BATHTUB and align the TAILPIECE and OVERFLOW RISER TUBE with the DRAIN HUBS then carefully lower the BATHTUB until it rests on the finished floor.

NOTE: Blocking can be used to help position and align the BATHTUB over the DRAIN HUBS.

PAGE 3 OF 4 | UPDATED ON 8.22.2018

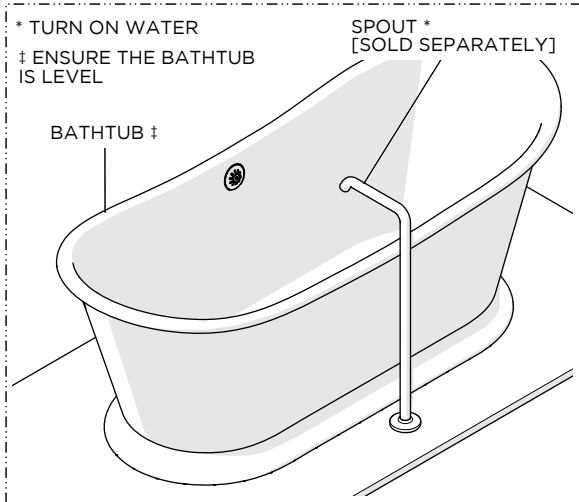
WATERWORKS

INSTALLATION GUIDELINES

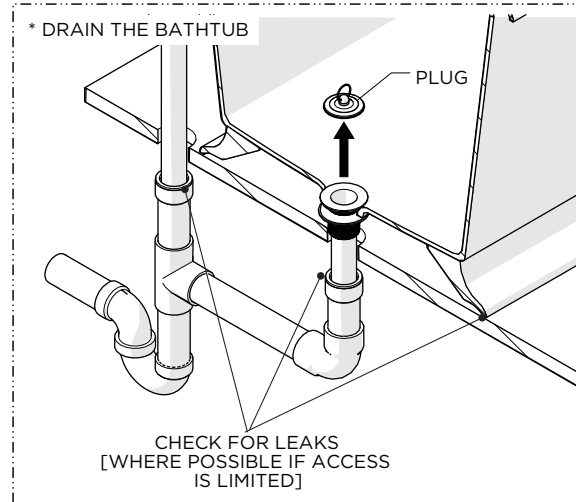


STYLE No. MAWO10

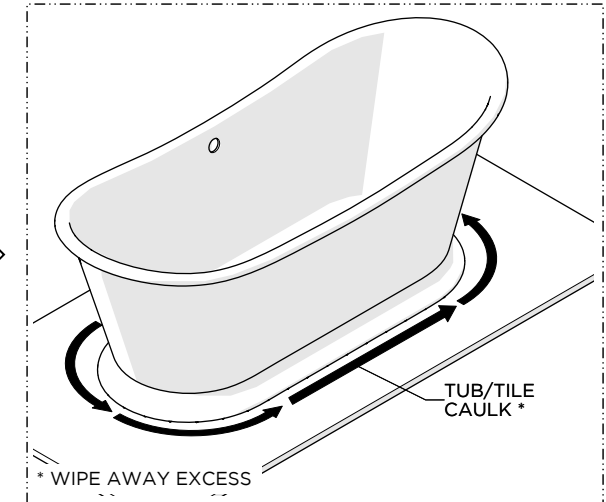
Margaux Drain Plug Waste and Overflow Drain



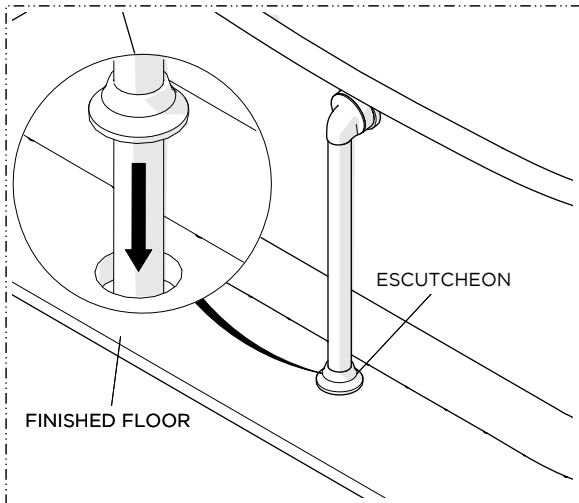
13. Verify the **BATHTUB** is level and, if needed, add shims then fill the **BATHTUB** until water enters the overflow hole.



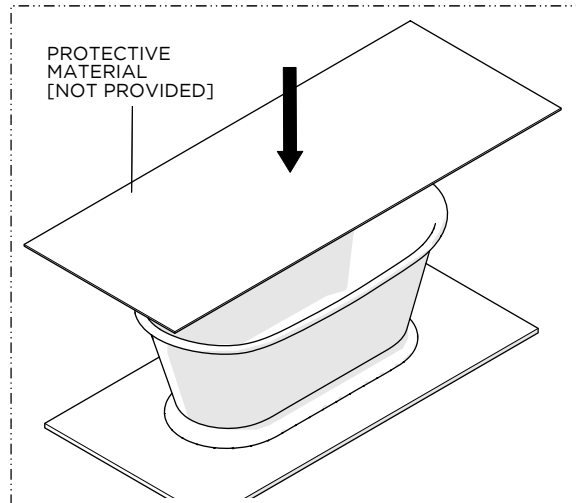
14. Drain the **BATHTUB** and inspecting all connections above and below the finished floor for leaks where possible if access is limited.



15. Run a bead of tub and tile caulk around the bottom edge of the **BATHTUB** where it meets the finished floor and wipe away any excess caulk with a wet paper towel.



16. Slide the **ESCUTCHEON** down the **OVERFLOW RISER TUBE** until it contacts the finished floor.



17. Cover the **BATHTUB** surface with a liner or other protective material (not supplied) until construction is completed.