

ARTICULO: 2525

Válvula de esfera paso total Bridada, Hierro Fundido

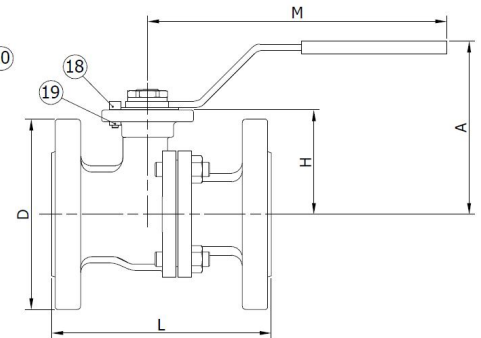
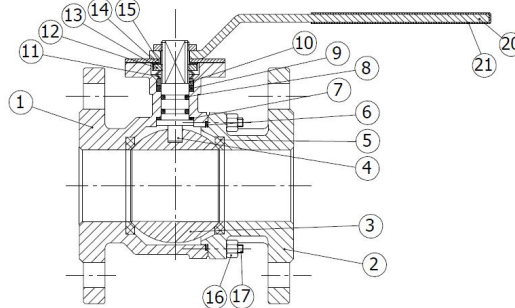
Cast Iron full port ball valve, Flanged ends

Características

1. Válvula de esfera paso total, 2 piezas.
2. Extremos bridados según EN 1092 PN16.
3. Construcción en EN-GJS-400 (GGG-40).
4. Longitud entre caras según EN 558 serie 27
5. Asientos PTFE + 15 % F.V.
(otro material consultar)
6. Esfera y eje Inoxidable AISI 304.
7. Tórica en el eje de FKM (Viton).
8. Vástago inexpulsable.
9. Montaje directo para actuadores s/ ISO 5211.
10. Dispositivo de Bloqueo de Seguridad.
11. Presión de trabajo máxima 16 bar.
12. Temperatura de trabajo -30 °C + 180 °C.

Features

1. Full port ball valve, 2 pieces.
2. Flanged ends according to EN 1092 PN16.
3. Made of Ductile Iron EN-GJS-400 (GGG-40).
4. Face to Face according to EN 558 series 27.
5. Ball seats PTFE + 15 % FG
(please ask for other materials)
6. Ball and Stem made of AISI 304.
7. O'ring in the stem FKM (Viton).
8. Blow-out proof stem.
9. Direct Mounting for actuator acc. to ISO 5211.
10. Block System.
11. Max. Working pressure 16 bar.
12. Working Temperature -30 °C + 180 °C.

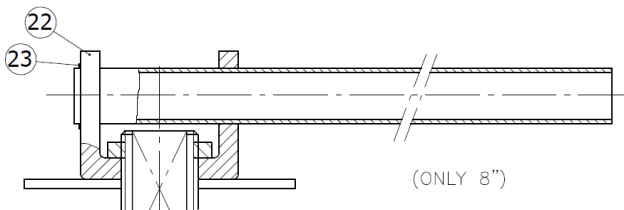


| Nº | Denominación / Name | Material | Acabado Superficial / Surface Treatment | Cód. Recambio Spare Part Code |
|----|------------------------------|--|---|-------------------------------|
| 1 | Cuerpo / Body | Fund. Nodular / Ductile Iron EN-GJS-400 | Pintado exterior / Painted outside | ----- |
| 2 | Tapa / Cap | Fund. Nodular / Ductile Iron EN-GJS-400 | Pintado exterior / Painted outside | ----- |
| 3 | Bola / Ball | Acero Inoxidable / Stainless Steel 1.4308 | Pulido / Polished | ----- |
| 4 | Eje / Stem | Acero Inoxidable / Stainless Steel AISI 304 | ----- | ----- |
| 5* | Asiento / Ball seat | PTFE + 15% F.V. / PTFE + 15% FG | ----- | 2825 |
| 6* | Junta / Gasket | PTFE | ----- | 2825 |
| 7* | Arandela / Thrust Washer | PTFE | ----- | 2825 |
| 8* | Tórica / O' ring | FKM | ----- | 2825 |
| 9* | Empaquetadura / Stem packing | PTFE | ----- | 2825 |
| 10 | Anillo Prensa / Gland | Acero Inoxidable / Stainless Steel AISI 304 | ----- | ----- |
| 11 | Arandela / Spring Washer | Acero Inoxidable / Stainless Steel AISI 301 | ----- | ----- |
| 12 | Tuerca / Nut | Acero Inoxidable / Stainless Steel AISI 304 | ----- | ----- |

| | | | | |
|----|---------------------------------|--|-----------------------|-------|
| 13 | Antigiro / Lock Washer | Acero Inoxidable / Stainless Steel AISI 304 | ----- | ----- |
| 14 | Arandela / Washer | Acero Inoxidable / Stainless Steel AISI 304 | ----- | ----- |
| 15 | Placa Tople / Stop plate | Acero Inoxidable / Stainless Steel AISI 304 | ----- | ----- |
| 16 | Perno / Stud Bolt | Acero Inoxidable / Stainless Steel AISI 304 | ----- | ----- |
| 17 | Tuerca / Nut | Acero Inoxidable / Stainless Steel AISI 304 | ----- | ----- |
| 18 | Pin tope / Stopper pin | Acero Inoxidable / Stainless Steel AISI 304 | ----- | ----- |
| 19 | Tuerca / Nut | Acero Inoxidable / Stainless Steel AISI 304 | ----- | ----- |
| 20 | Maneta / Handle | Acero al Carbono / Carbon Steel | Zincado / Zinc Plated | ----- |
| 21 | Funda maneta / Handle sleeve | Vinilo / Vynil | ----- | ----- |
| 22 | Soporte maneta / Handle support | Acero al Carbono / Carbon Steel | Zincado / Zinc Plated | ----- |
| 23 | Retén / Retainer | Acero Inoxidable / Stainless Steel AISI 304 | ----- | ----- |

* Piezas de recambio disponibles / Available spare parts

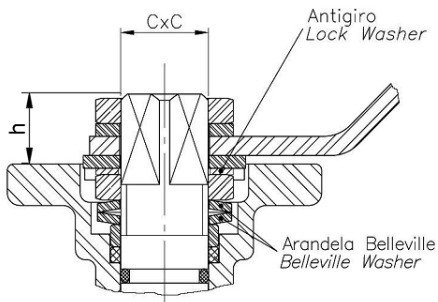
Detalle maneta DN200 (8") / Handle detail size DN200 (8")



DIMENSIONES GENERALES / GENERAL DIMENSIONS

| Ref. | Medida Size | PN | Dimensiones / Dimensions (mm) | | | | | | | ISO 5211 | Peso / Weight (Kg) |
|---------|----------------|----|-------------------------------|-----|-----|-----|-----|-------|------|----------|--------------------------|
| | | | D | A | L | M | H | CxC | h | | |
| 2525 04 | 1/2" | 16 | 95 | 80 | 115 | 130 | 50 | 9x9 | 9,5 | F03/F04 | 2,300 |
| 2525 05 | 3/4" | 16 | 105 | 80 | 120 | 130 | 55 | 9x9 | 9,5 | F03/F04 | 2,800 |
| 2525 06 | 1" | 16 | 115 | 90 | 125 | 170 | 60 | 11x11 | 11,5 | F04/F05 | 4,100 |
| 2525 07 | 1 ¼" | 16 | 140 | 102 | 130 | 170 | 74 | 11x11 | 11,5 | F04/F05 | 5,400 |
| 2525 08 | 1 ½" | 16 | 150 | 110 | 140 | 220 | 78 | 14x14 | 15,5 | F05/F07 | 6,900 |
| 2525 09 | 2" | 16 | 165 | 120 | 150 | 220 | 86 | 14x14 | 15,5 | F05/F07 | 9,300 |
| 2525 10 | 2 ½" | 16 | 185 | 140 | 170 | 284 | 98 | 17x17 | 18,5 | F07/F10 | 14,000 |
| 2525 11 | 3" | 16 | 200 | 150 | 180 | 284 | 114 | 17x17 | 18,5 | F07/F10 | 18,300 |
| 2525 12 | 4" | 16 | 220 | 180 | 190 | 360 | 136 | 17x17 | 18,5 | F07/F10 | 25,300 |
| 2525 13 | 5" | 16 | 250 | 215 | 325 | 447 | 165 | 17x17 | 18,5 | F07/F10 | 37,000 |
| 2525 14 | 6" | 16 | 285 | 240 | 350 | 560 | 190 | 22x22 | 23 | F10/F12 | 49,500 |
| 2525 16 | 8" | 16 | 340 | 320 | 400 | 850 | 229 | 27x27 | 25 | F12/F14 | 98,000 |

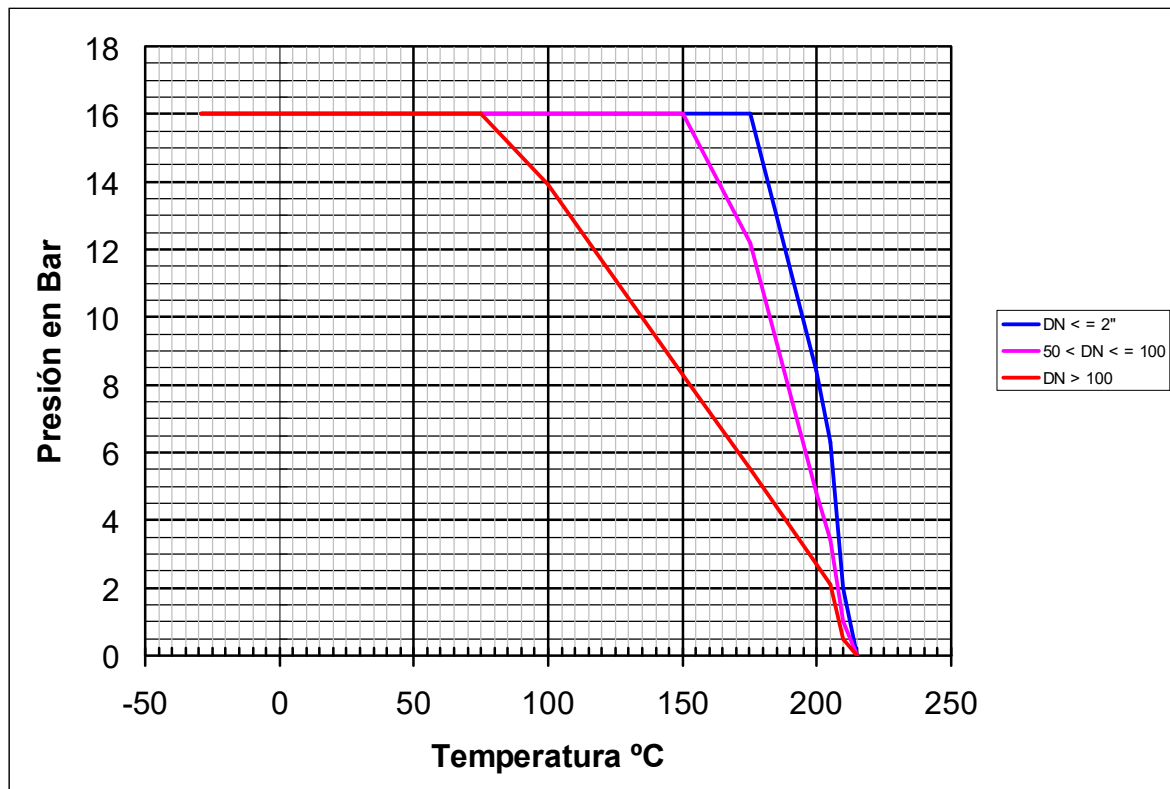
Detalle de la zona de Eje / *Stem detail*



Antigiro / *Lock Washer*: Previene el desajuste de la tuerca del eje en elevados ciclos de maniobra / *Prevents unthreading of stem nut in high cycle automation applications.*

Arandela Belleville / *Belleville Washer*: Las arandelas belleville proporcionan una carga constante sobre el prensa asegurando un cierre firme en variaciones de condiciones de trabajo. / *Standard belleville washers provide constant "live load" on the stem seals, assuring a tight seal even varying service parameters.*

CURVA PRESION TEMPERATURA / *PRESSURE TEMPERATURE RATING*



VALORES DE Kv / Kv VALUES

Kv = Es la cantidad de metros cúbicos por hora (m^3/h) que pasará a través de la válvula generando una pérdida de carga de 1 bar.

Kv = Flow rate of water in cubic meter per hour (m^3/h) that will generate a pressure drop of 1 bar across the valve.

| 1/2" | 3/4" | 1" | 1 1/4" | 1 1/2" | 2" | 2 1/2" | 3" | 4" | 5" | 6" | 8" |
|------|------|----|--------|--------|-----|--------|-----|------|------|------|------|
| 19 | 40 | 65 | 110 | 180 | 365 | 495 | 970 | 1620 | 2530 | 4050 | 8650 |

