

Features

- Internal LED light guides provide optimally bright bathroom vanity lighting for grooming tasks.
- Brightness at 2200 lumens ensures consistent lighting with no hot spots or dark spots. Produces 65 lumens per watt.
- Approx. 3000 Kelvin light appearance delivers a neutral light ideal for overall bathroom aesthetics as well as tasks.
- Minimum 90 CRI (color rendering index) lets you see yourself in the truest light for makeup application, grooming and skin care.
- Integrated LED bulbs have an estimated life expectancy of 59,000 hours.
- Compatible with wall-mount LED dimmers (not included), which allows you to control lighting from multiple locations in the space.
- Internal aluminum shelf has two electrical outlets for powering small devices such as toothbrushes and shavers.
- Two adjustable tempered-glass shelves offer additional bathroom storage.
- Vertically adjustable flip-out 3x magnifying mirror on inside of door.
- Front mirror, inside door mirror and back panel mirror provide superior visibility.
- 110° door swing with slow-close hinges.
- Compatible with KOHLER® Tailored vanity medicine cabinet surrounds and side kits.



Codes/Standards

UL 962
C22.2 No. 0
CA Title 24 JA8

KOHLER® One-Year Limited Warranty

See website for detailed warranty information.

Material

- Anodized aluminum construction with a durable rust- and chip-resistant finish.

Installation

- Can be installed with left- or right-hand swing.
- Includes mounting hardware for surface or recessed installation.
- Side kits for surface-mount installation sold separately.
- Hang-and-secure mounting system for easier surface-mount installation.
- Recommend professional electrician installation.

Required Products/Accessories

K-99675 Medicine Cabinet Wood Side Kit

or

K-99012 mirrored side kit for medicine cabinet

Recommended Products/Accessories

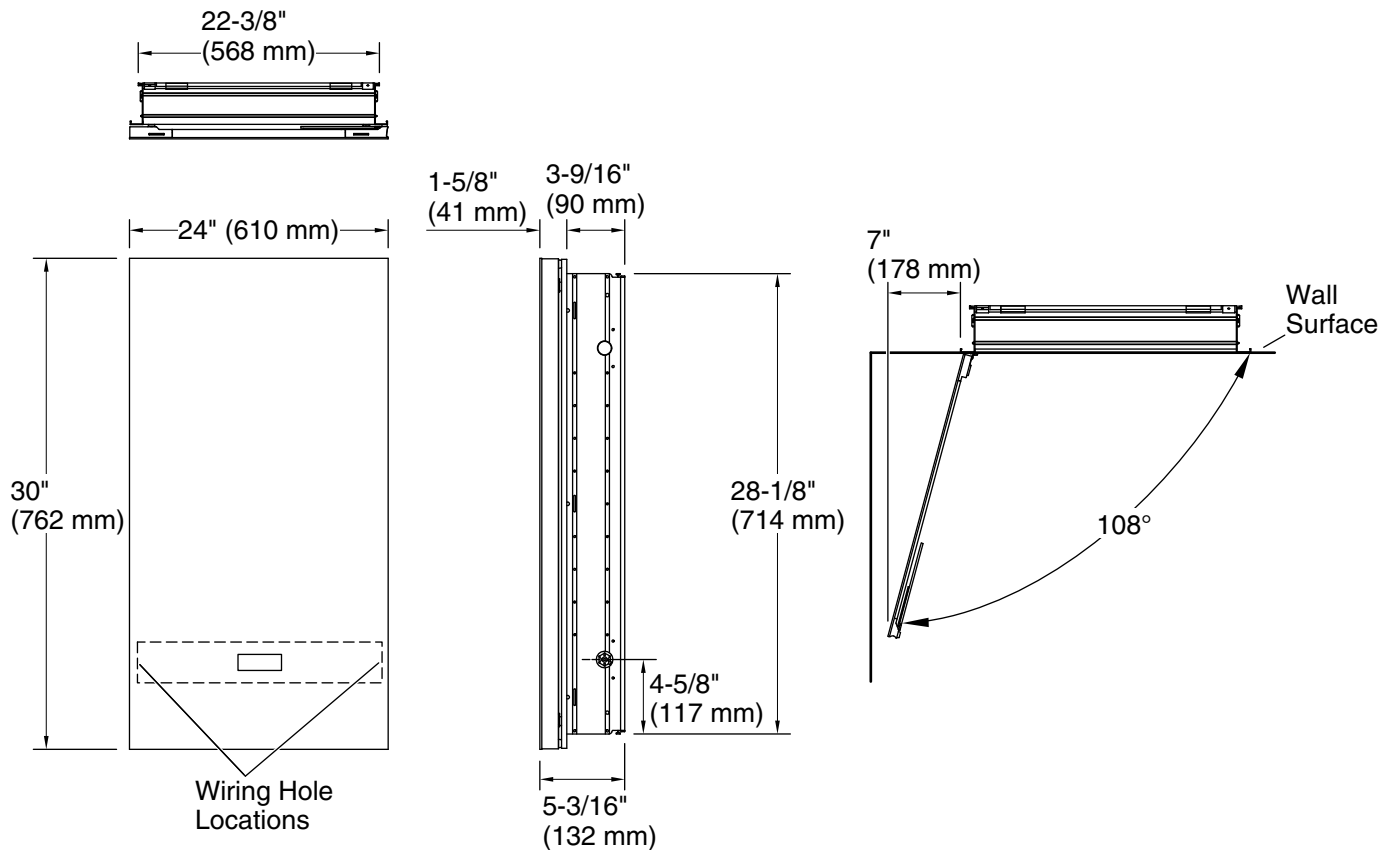
K-23723 Faucet cleaner

Optional Products/Accessories

K-99661-24 Medicine Cabinet Surround

K-99662-24 Medicine Cabinet Surround

K-99663-24 Medicine Cabinet Surround



Required Electrical Service

One circuit required, protected with Class A Ground-Fault Circuit-Interrupter (GFCI). Outside North America, this device may be known as a Residual Current Device (RCD).

Outlet, Lights: 120 V, 15 A, 60 Hz

Technical Information

All product dimensions are nominal.

Recess-Mount Cutout:

Width: 23-1/2" (597 mm)

Height: 28-1/4" (718 mm)

Depth: 3-11/16" (94 mm)

Electrical component rating: Outlet: 120 V, 15 A, 60 Hz
Lights: 120 V, 0.4 A, 60 Hz

Notes

Install this product according to the installation instructions.

To recess mount, the wall cavity must be framed and the cabinet secured to framing studs. Reroute electrical or water supply lines from the cavity. Consult a professional if drain or vent piping is encountered, or if the wall is load-bearing.

To determine the height of the cabinet, ensure the door will clear all obstacles (such as a faucet). A minimum 3" (76 mm) distance is required.

Cutout for recess-mount installations: 22-1/2" (572 mm) wide x 28-1/4" (718 mm) high x 3-11/16" (94 mm) deep.

A dimmer switch is required. This product is compatible with most residential dimmer switches intended for incandescent and dimmable LED bulbs.