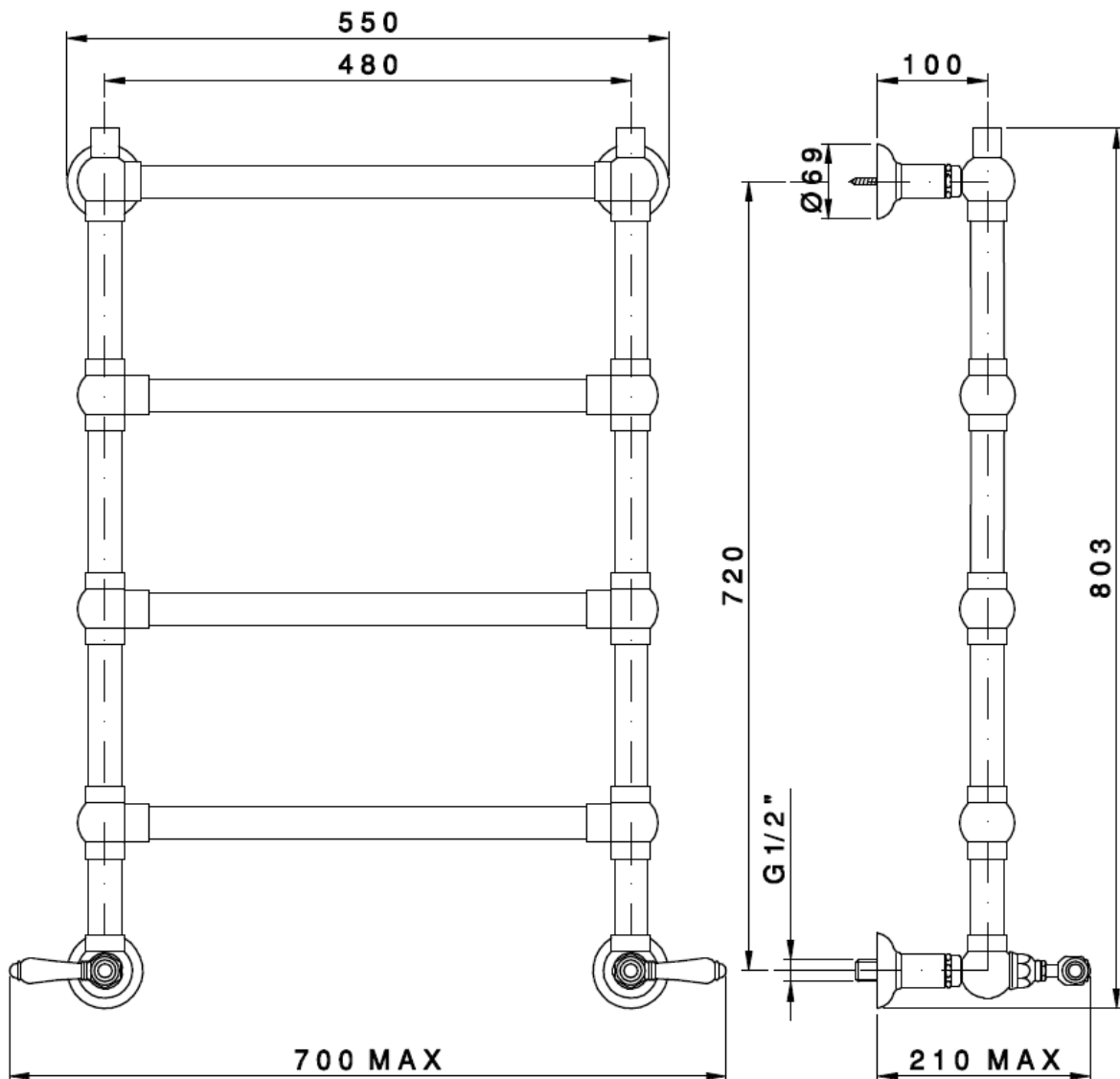




INSTALLATION AND CARE & MAINTENANCE GUIDE
Installation guide

TOWEL HEATER (WATER)

Art. **5528** (all models and all handles)



ATTENTION

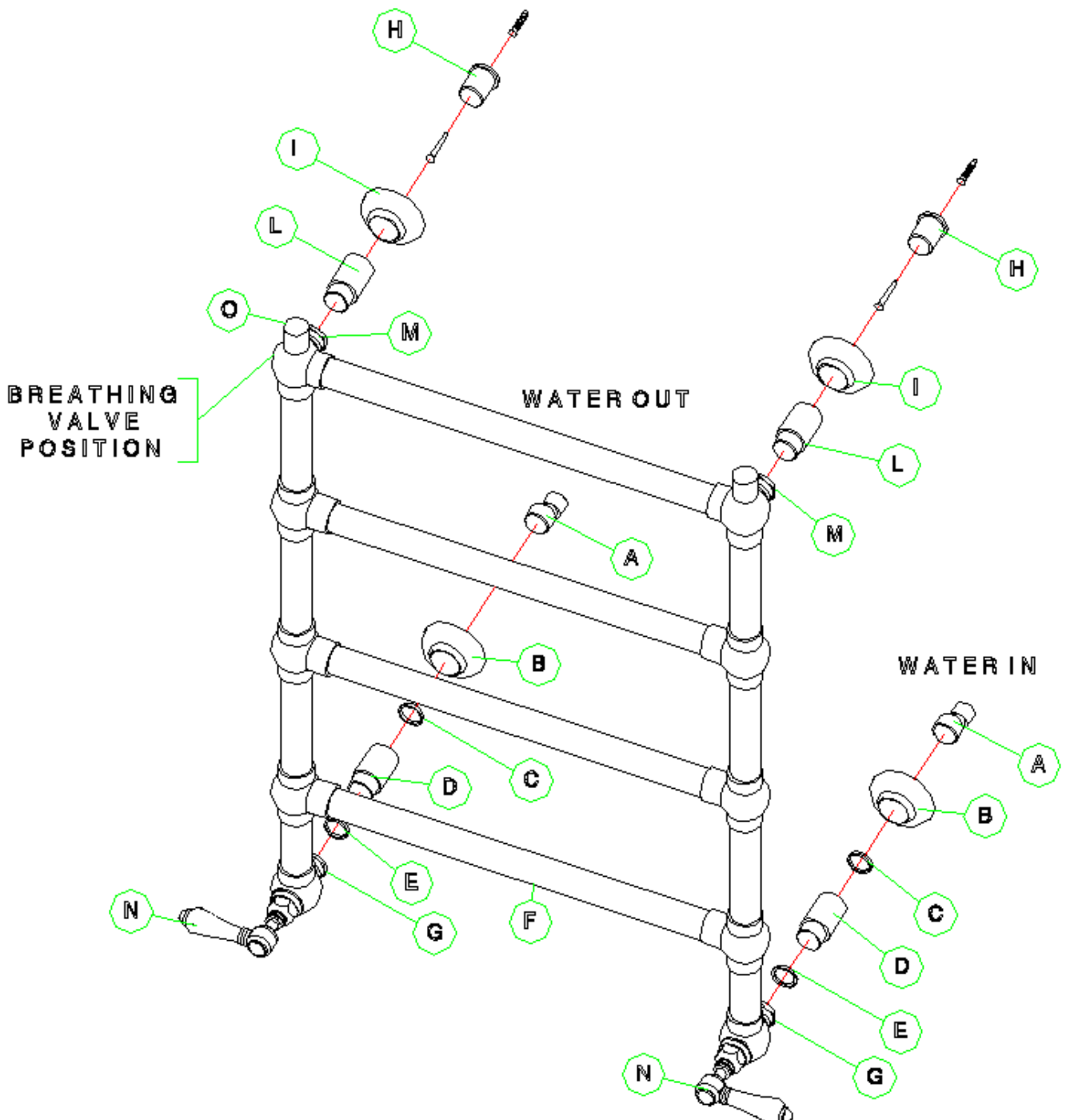
ITEM TO BE INSTALLED RESPECTING RECOMMENDED OPERATING PRESSURE, WITH USE OF WATER WITH NO AGGRESSIVE OR CORROSIVE SUBSTANCES

a – Preparation

Predispose two G1/2" female connections supply from the wall at the distance 480 mm. between hole centers. Flush out the pipework to remove any dirt.

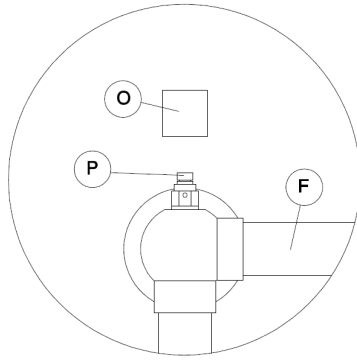
b – Assembly

- Connect the eccentric shanks (A) to the water inlets.
- Assemble the round cap for eccentric (B) to shanks (A).
- Connect the extensions (D) to shanks (A), placing the washers (C) between the two parts.
- Assemble the towel heater (F) to the extensions (D), placing the washers (E) between the two parts.
- Screw the nuts (G).
- Place the towel heater to the wall and mark the upper dowels position.
- Make the holes for the dowels having care to disassemble the towel heater (F) before to drill.
- ATTENTION: ENSURE THAT THE DOWELS USED ARE SUITABLE FOR YOUR WALL'S TYPE.**
- Fix the adapters (H) to the wall by dowels.
- Assemble the round cap for eccentric (I) to adapters (H).
- Connect the extensions (L) to adapters (H).
- Assemble the towel heater (F) to the extensions (D and L), placing the washers (E) between the two lower parts (D and G).
- Screw the nuts (G and M).
- Ensure all connections are firmly tightened.
- Assembling the handles (N) and turn it in the ON position.



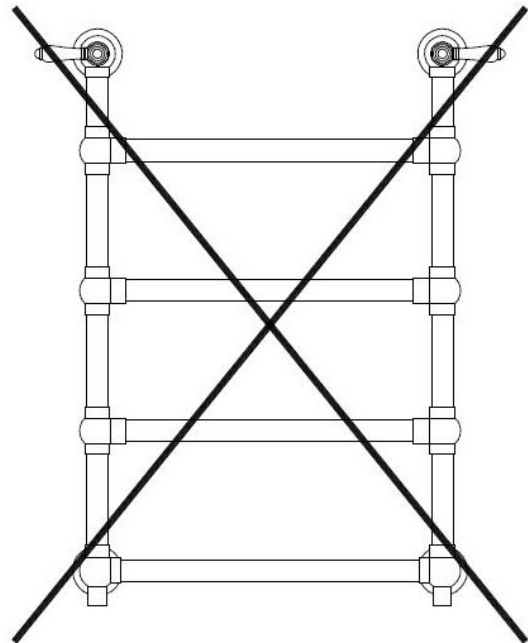
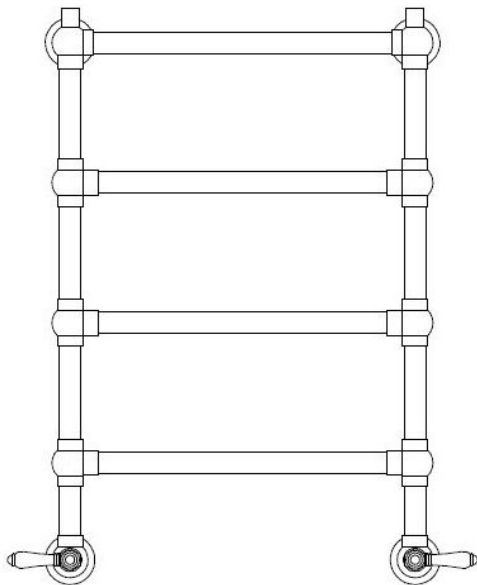
c – Before use

- Unscrew the plug (O) placed on the top of the towel heater (F) and unscrew and screw the breathing valve (P) many times until air has completely gone out from the towel heater pipes.



d – Installation indication

- Install the towel heater **ONLY** with handles in lower position. **DO NOT INSTALL UPSIDE DOWN.**



c – Technical information

Material : DZR Brass
Tube : diameter 30 x 1.5 mm.
Assembly type : screwed (not welded)
Cartridge : ceramic disc 90° open/close angle
Height : 720 mm.
Width : 480 mm.
Water supply interaxis : 480 ± 15 mm.
Weight : 8,800 Kg.
Fixing system : s-union G1/2" to the water supply
Heat Output : 195 Watt (according to EN 442-2)
Btu/h : 655
Operating pressure : 3 bar.
Maximum working pressure : 6 bar
Maximum working temperature : 80 °C
Maximum loaded weight : 3 Kg.

Finishings available : all Nicolazzi finishings
Handles available : all Nicolazzi handles