



# Wellworth® Classic

Two-piece elongated 1.28 gpf toilet  
K-3575-T

## Features

- Two-piece toilet.
- Elongated bowl offers added room and comfort.
- 1.28 gpf (4.8 lpf).
- Standard left-hand trip lever included.
- Tank locks included.
- Combination consists of the K-4436-T tank and the K-4198 bowl.
- Coordinates with other products in the Wellworth collection.



## Technology

- Single-flush gravity uses the force of gravity and a precision-engineered tank, bowl, and trapway to create a strong siphon during flushing.
- KOHLER's canister flush valve harnesses the natural force of gravity and optimizes flushing performance.
- Class Five® flushing technology offers virtually plug-free performance and rinsing power for a clean bowl.



## Installation

- Standard 12" (305 mm) rough-in.
- Seat and supply line sold separately.

## Codes/Standards

ASME A112.19.2/CSA B45.1  
DOE - Energy Policy Act 1992  
EPA WaterSense®

## Water Conservation & Rebates

- Eligible for consumer rebates in some municipalities.

## Recommended Products/Accessories

- K-4636 Cachet® Quiet-Close™ Elongated Toilet Seat
- K-5588 Purefresh® Elongated Toilet Seat
- K-4108 C³®-230 Elongated cleansing toilet seat
- K-5420 Low-Profile Bolt Caps
- K-9380-L Left-Hand Trip Lever
- 1023457 Wax Ring/Hardware Kit
- 1265114 Connector Hose
- K-23726 Drain treatment

## Available Colors/Finishes

*Color tiles intended for reference only.*

### Color Code Description

This product has been discontinued.

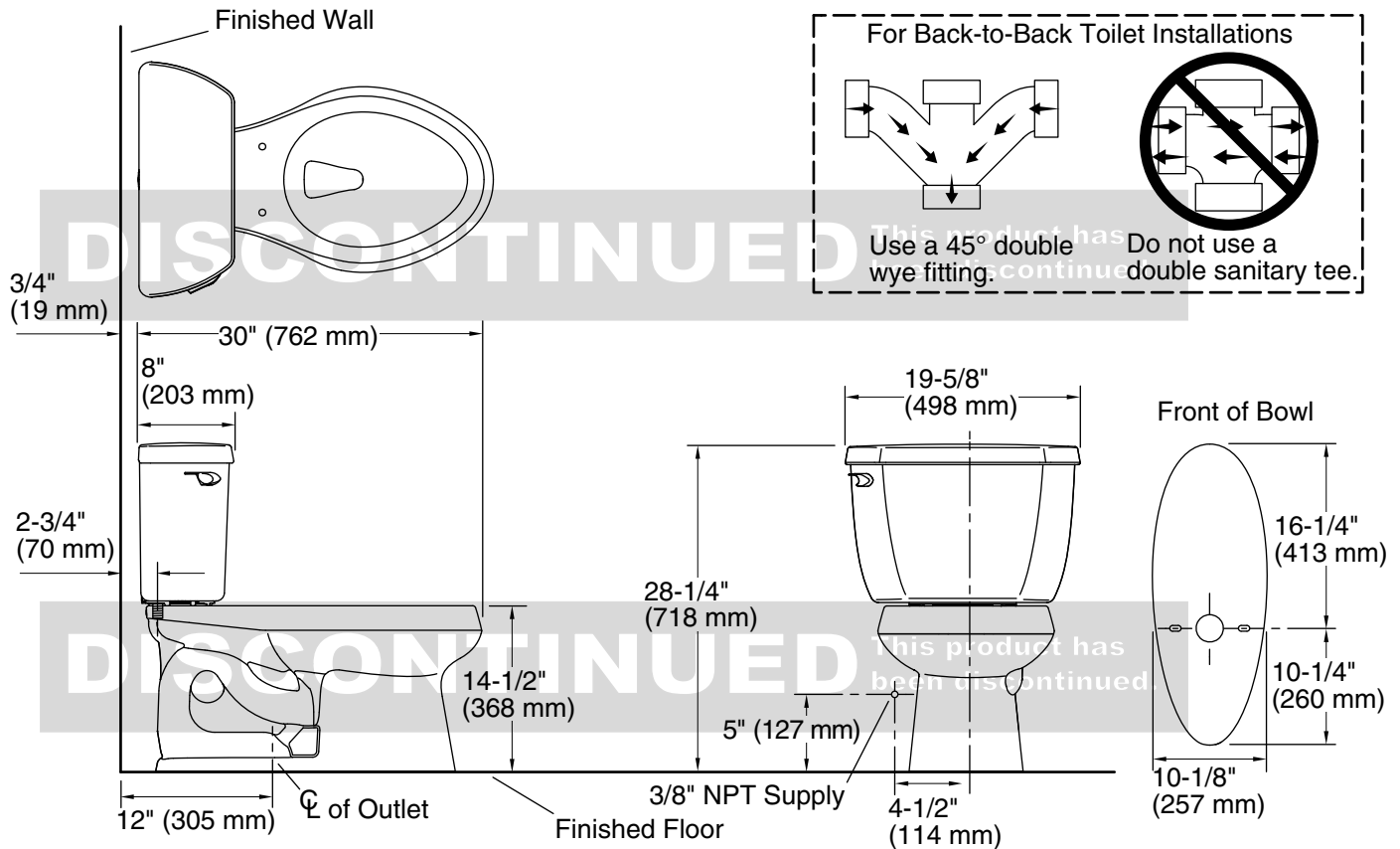
## Included Components

Product consists of:

- K-4198 Elongated Bowl
- K-4436-T Toilet tank with cover locks, 1.28 gpf

Additional Components:

- Bolt cap accessory pack
- Tank accessory pack
- Tank cover
- Trip lever



### Technical Information

All product dimensions are nominal.

Toilet type: Two-piece, Floor-mount

Waste Outlet: Floor

Bowl shape: Elongated

Flush type: Class Five®

Trap passageway: 2-1/8" (54 mm)

Water Consumption

Full: 1.28 gpf (4.8 lpf)

Water surface size: 11-1/4" x 8-1/4" (286 mm x 210 mm)

Rim to water surface: 5-1/4" (133 mm)

Rough-in: 12" (305 mm)

Seat-mounting holes: 5-1/2" (140 mm)

### Notes

Install this product according to the installation instructions.

For back-to-back toilet installations: Use only a 45° double wye fitting.