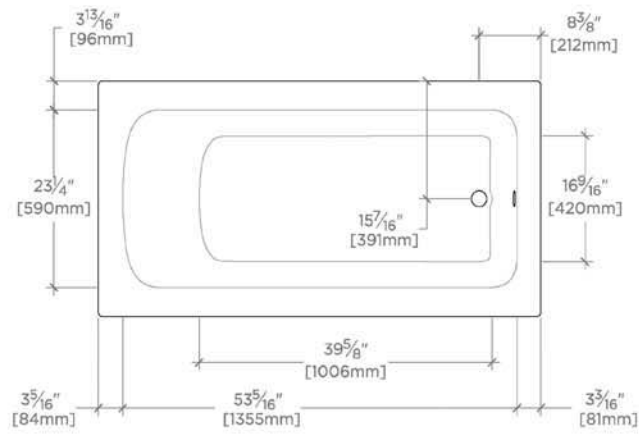
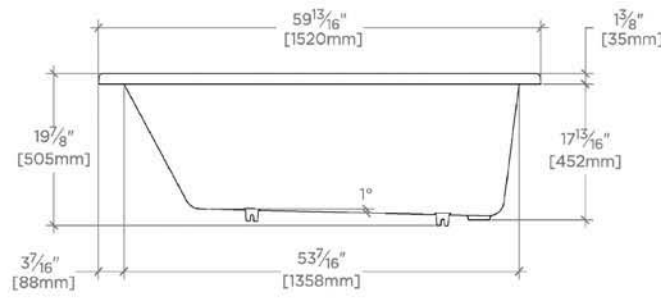


WWBT70

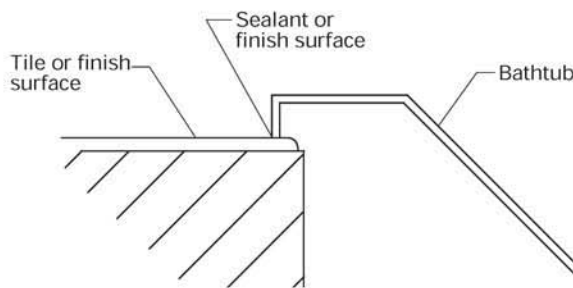


TOP VIEW



SIDE VIEW

Figure 1



Tub Use:

- Bathing, Soaking or Showering

Specifications:

- Maximum Capacity: 55 gallons
- Weight: 305 lbs.

Installation Type:

- Drop-in
- Undermount
- Alcove (Requires CLBT94- Rubber Tile Flange)
- Drain: FDWO51 (Sold Separately)
- Optional 3" Leveling Feet: WWBT71 (Sold Separately)

PRIOR TO INSTALLATION:

Immediately after receiving the bathtub and removal of packing, you **MUST** inspect the unit for freight damage. Any claims for damage, whether apparent or hidden, must be made to the carrier immediately in order for them to assume all associated costs. Should inspection reveal any defect in the finish, do not install the bath tub. Damage or defect to the finish claimed after the bathtub is installed is excluded from the warranty. The warranty **DOES NOT** cover labor or materials to remove or reinstall the bathtub.

IMPORTANT:

- To ensure this product is installed properly, you must read and follow these guidelines.
- The owner/user of the bathtub must keep this information for future reference.
- Be sure your installation conforms to all applicable codes.
- This product must be installed by a professional contractor.
- Refer to the specification and assembly drawings attached.
- Inspect this product to assure it is the correct model and you have all parts required for proper installation.
- Take all necessary precautions to ensure the tub is protected during installation and to prevent damage to the porcelain enamel finish.

INSTALLATION:

1. Verify that the subfloor is level.
2. Do not hang the tub from the rim. Set the tub in a mortar "wetbed" to support the base of the tub. The rim must be level; note that slope/pitch of the tub floor is built into the floor of the tub for proper draining.
3. Bring the finished surface to the underside of the tub rim then apply a bead of silicone where the underside of the rim contacts the finished surface. See Figure 1.

These guidelines have been prepared for the professional contractor to aid in the installation of

4. Install the proper waste and overflow (sold separately).
5. Fill the tub with water to the point where water enters the overflow opening. Drain the tub while inspecting all connections above and below the flooring for leaks.
6. Cover the bathtub surface with a bathtub liner or other form of protection until construction is completed.

WARNING:

The following basic safety precautions should always be followed when using your bathtub.

- Caution should always be exercised when entering or leaving the bathtub.
- **DANGER:** To reduce the risk of injury, do not permit children or persons with a disability to use the bathtub without close supervision.
- Keep all electrical appliances such as radios and hairdryers a safe distance from the bathtub.
- Do not use the bathtub when sleepy or drowsy, under the influence of alcohol or prescription medications or when overheated.
- If further assistance is required, please contact Product Support at 1-800-927-2120 (8am-7pm EST)

These guidelines have been prepared for the professional contractor to aid in the installation of:

3/08

All dimensions are based on original specifications and are subject to change and variation. Please consult your Design Associate for current specifications.

W A T E R W O R K S[®]