

## NILO

Nilo 70" x 34" x 24" Freestanding Bathtub

NIBT70



SHOWN IN NILO 70" X 34" X 24" FREESTANDING BATHTUB| NIBT70

### TECHNICAL DETAILS

Adjustable Levelers / Feet: N  
Assembly / Configuration: One Piece  
Bathing Type: Bathing and Soaking  
Bathing Well Sitting Angle: 110 degree\_angle  
Bottom Angle / Pitch: 1.7 degree\_angle  
Depth to Overflow: 15 7/8"  
Drain Hole Depth: 2"  
Drain Hole Diameter: 2"  
Drilling Option: None  
Fitting Hole Configuration / Number: None  
Depth / Width: 33 7/8"  
Height: 24 3/16"  
Installation Type: Freestanding  
Item Weight (Filled): 864.0 pounds  
Length: 70"  
Overflow Hole Diameter: 1 7/8"  
Overflow Opening: Yes  
Primary Material: Fiberglass  
Single or Double Ended: Double Ended  
Suggested Application: Bath

### INSPIRATION

Modeled after iconic vintage designs, this freestanding bathtub marries traditional '40s glamour with a modern, pared-down aesthetic. A generous bathing well and gentle curves invites relaxation.

### PRODUCT FEATURES

Our Nilo tub is made of fiberglass materials; the exact materials are a trade secret.

Thermal insulation helps maintain water temperature

The interior and exterior are hand finished.

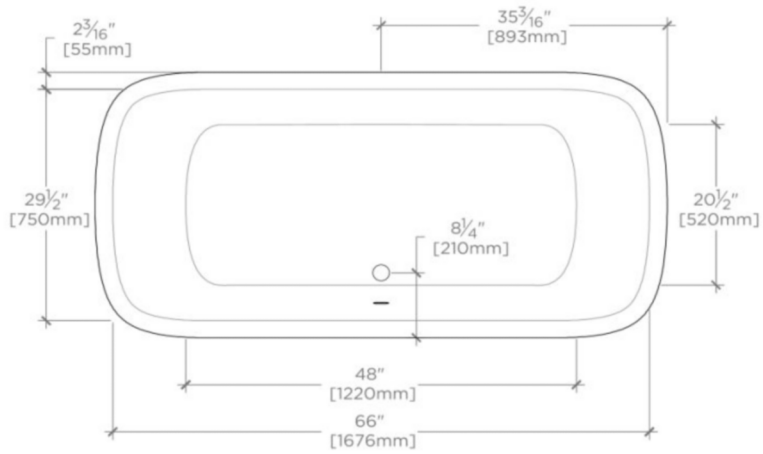
The luxurious depth and essential simplicity of the interior bathtub allows complete comfort for one or two bathers.

# WATERWORKS

## NILO

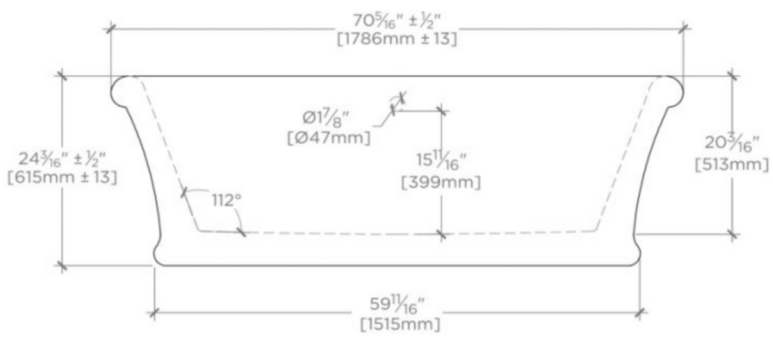
NIBT70

Nilo 70" x 34" x 24" Freestanding Bathtub



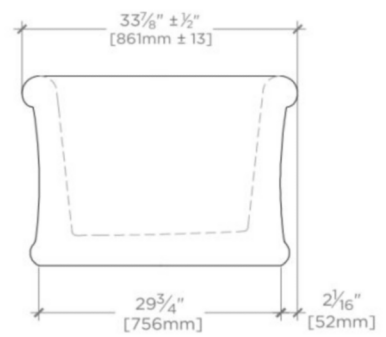
TOP VIEW

SCALE: 1/2"=1'-0"



FRONT VIEW

SCALE: 1/2"=1'-0"



SIDE VIEW

SCALE: 1/2"=1'-0"