

## NORMANDY

NOLV17

Normandy Drop In or Undermount Octagonal Hammered Copper Lavatory Sink 15 3/4" x 15 3/4" x 8 11/16"



SHOWN IN NORMANDY DROP IN OR UNDERMOUNT OCTAGONAL HAMMERED COPPER LAVATORY SINK 15 3/4" X 15 3/4" X

### TECHNICAL DETAILS

ADA Compliance: When installed per ADA guidelines  
Bowl Shape: Octagon  
Depth / Width: 15 3/4"  
Height: 8 11/16"  
Installation Type: Drop In or Undermount  
Length: 15 3/4"  
Number of Holes: Two Hole  
Outer Rim Shape: Octagonal  
Primary Material: Hammered Copper  
Suggested Application: Bath

### INSPIRATION

Like the antique French copper cookware that inspired them, our Normandy sinks lend a special warmth and richness to any environment. Each pure red copper design is hammered and polished by hand according to the old French tradition.

### CODES & STANDARDS

Code # NOLV17:

### PRODUCT FEATURES

Handcrafted in France from sheets of copper and formed in individual molds.  
The Normandy sinks are finished with a burnishing hammer and polished by hand.  
Suitable for master baths and powder rooms.

### PRODUCT (NOTES)

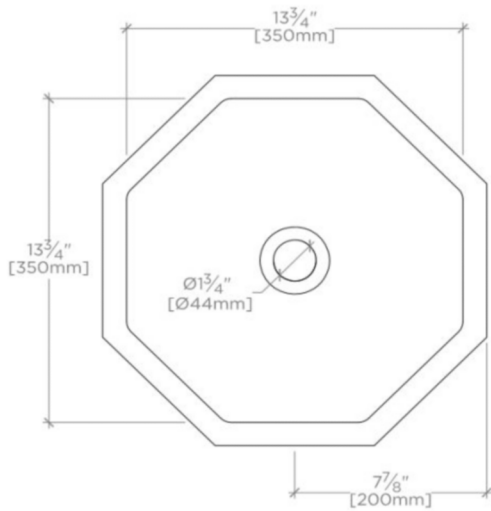
Dimensions of sinks are nominal and are subject to slight variations.

# WATERWORKS

## NORMANDY

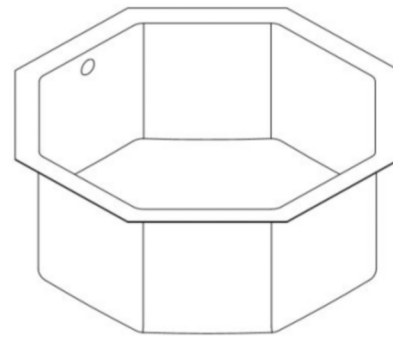
NOLV17

Normandy Drop In or Undermount Octagonal Hammered Copper Lavatory Sink 15 3/4" x 15 3/4" x 8 11/16"



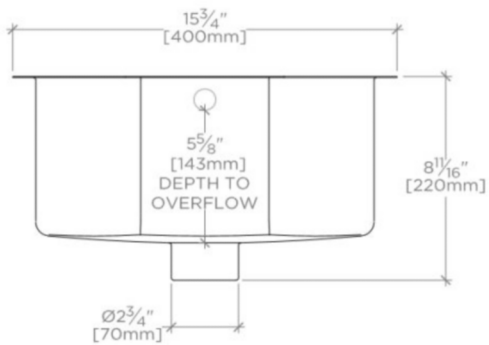
TOP VIEW

SCALE: 1/2"=1'-0"



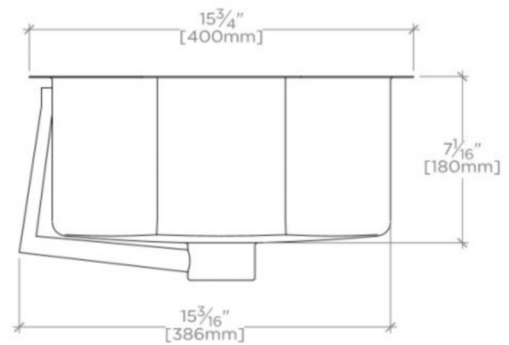
ISO VIEW

SCALE: 1/2"=1'-0"



FRONT VIEW

SCALE: 1/2"=1'-0"



SIDE VIEW

SCALE: 1/2"=1'-0"