

NORMANDY

NOLV21

Normandy Drop In or Undermount Rectangular Hammered Copper Lavatory Sink 14 15/16" x 11 7/16" x 7 5/16"



SHOWN IN NORMANDY DROP IN OR UNDERMOUNT RECTANGULAR HAMMERED COPPER LAVATORY SINK 14 15/16" X 11

TECHNICAL DETAILS

ADA Compliance: When installed per ADA guidelines
Bowl Shape: Rectangular
Depth / Width: 11 7/16"
Height: 7 5/16"
Installation Type: Drop In or Undermount
Length: 14 15/16"
Number of Holes: Two Hole
Outer Rim Shape: Rectangular
Primary Material: Hammered Copper
Suggested Application: Bath

INSPIRATION

Like the antique French copper cookware that inspired them, our Normandy sinks lend a special warmth and richness to any environment. Each pure red copper design is hammered and polished by hand according to the old French tradition.

CODES & STANDARDS

Code # NOLV21:

PRODUCT FEATURES

Handcrafted in France from sheets of copper and formed in individual molds.
The Normandy sinks are finished with a burnishing hammer and polished by hand.
Suitable for master baths and powder rooms.

PRODUCT (NOTES)

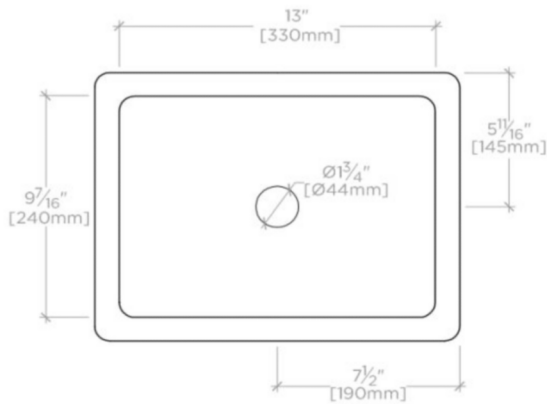
Dimensions of sinks are nominal and are subject to slight variations.

WATERWORKS

NORMANDY

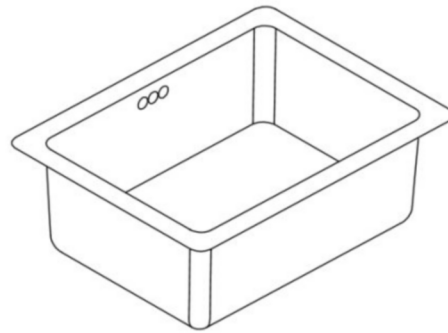
NOLV21

Normandy Drop In or Undermount Rectangular Hammered Copper Lavatory Sink 14 15/16" x 11 7/16" x 7 5/16"



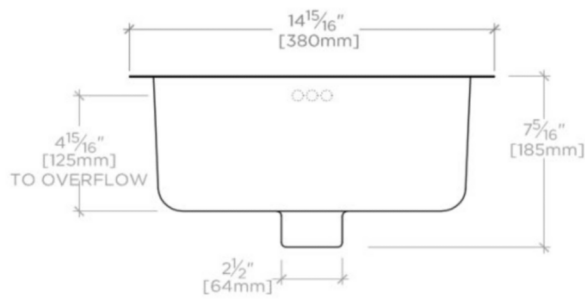
TOP VIEW

SCALE: 1/2"=1'-0"



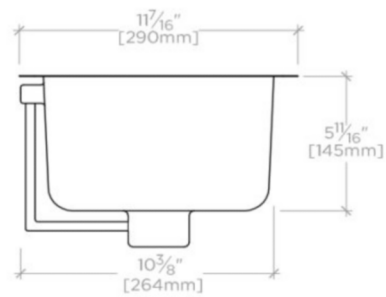
ISO VIEW

SCALE: 1/2"=1'-0"



FRONT VIEW

SCALE: 1/2"=1'-0"



SIDE VIEW

SCALE: 1/2"=1'-0"