



# Catchpole & Rye

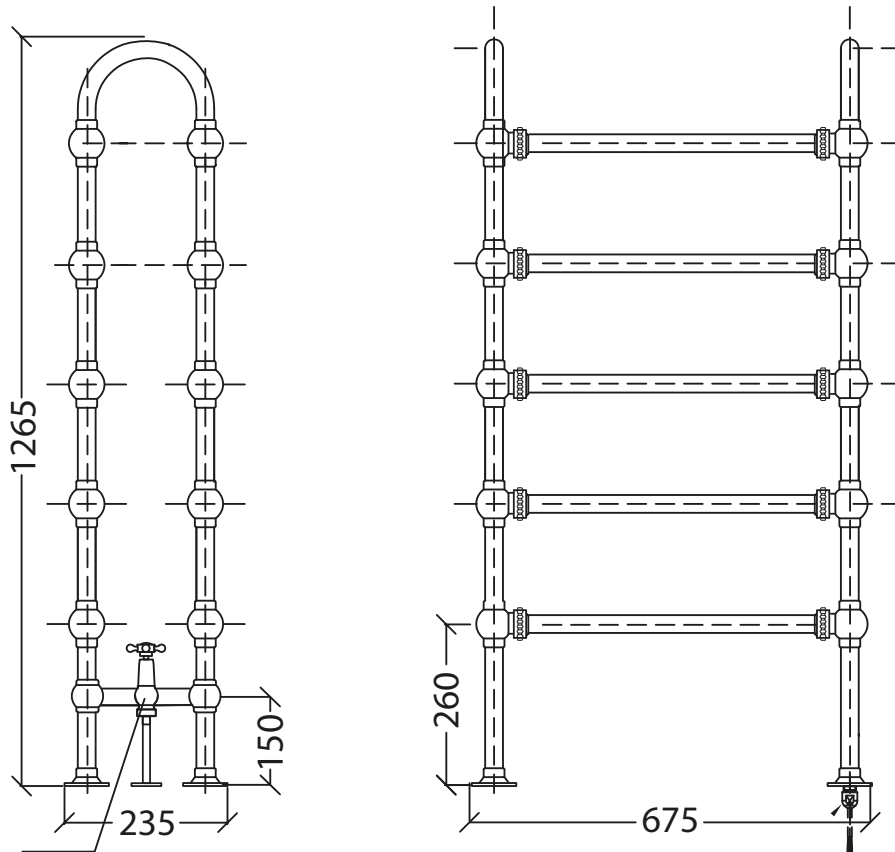
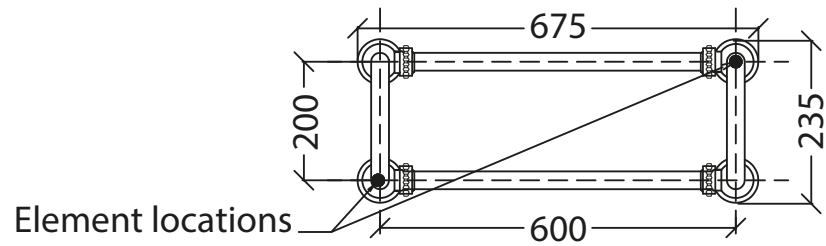
Saracens Dairy,  
Pluckley,  
Kent. U.K.  
TN27 0SA.  
TEL: +44 (0)1233 840840  
EMAIL: info@catchpoleandrye.com

Product Range:  
Towel Rails

Product Name:

The Mercantile Arched Ladder Towel  
Rail 2500 BTU

## DIMENSIONAL DATA SHEET DATE: AUGUST 2018



Valves not included

NOTES:  
DIMENSIONS IN MILLIMETRES.  
WHILST EVERY EFFORT IS MADE TO ENSURE THE ACCURACY OF THESE DATA SHEETS THEY ARE SUBJECT  
TO CHANGE WITHOUT NOTICE AS PART OF THE COMPANY'S PRODUCT DEVELOPMENT PROCESS.