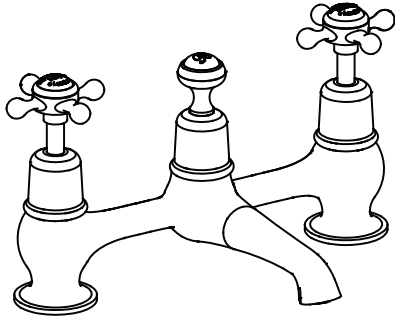


## INSTALLATION INSTRUCTIONS

Bridge Basin Mixer, with plug & chain

(Excluding handles & bases) - **T16**



### Important

- We recommend that this product is installed by a qualified professional contractor. Such as a plumber who is certified by NVQ (National Vocational Qualification) or SNVQ (Scottish National Vocational Qualification) Level 3
- Please check this product immediately to ensure that it has not been damaged and is complete. Before installation, please make sure this product is the correct model and you have all the parts required for installation and using.
- All the taps in Burlington Range should be supplied with hot and cold water at balanced pressure. If not, then the mixing function will not work correctly. It is necessary to fit non-return valves on both hot and cold feeds pipe. These are not supplied.
- Please flush the water system to ensure that no metal swarf, solder, and other impurities can enter the taps.
- Turn off water supply before commencing work, this should be done at the isolating valves of inlet feeds if fitted or main stopcock.
- Please read these instructions carefully and keep it for future reference.

### Working pressure

The tap is suitable for both high and low pressure installation. To ensure that the tap works well under low water pressure, the cold water storage tank must be at least 2 meters above the installed position. The maximum static pressure is 10 bar, and operating water pressure is 5 bar. Where the operating water pressure above 5 bar, then a pressure reducing valve must be fitted.

### Decoration heads (alternative option)

The tap comes with a factory-fitted decoration head at the center of tap, and also has an alternative decoration head for your option.

If it is needed to replace, please screw off the factory-fitted decoration head, and screw on the spare one.

### Straightener and aerator (alternative option)

The tap comes with a factory-fitted flow straightener for use with water pressure between 0.2 ~ 0.45 bar. If the water pressure is over 0.45 bar, replace the factory-fitted flow straightener with the high pressure aerator supplied.

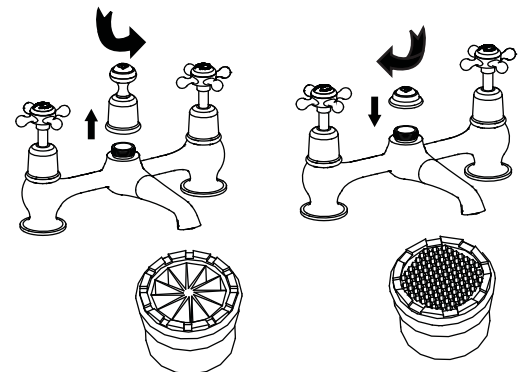
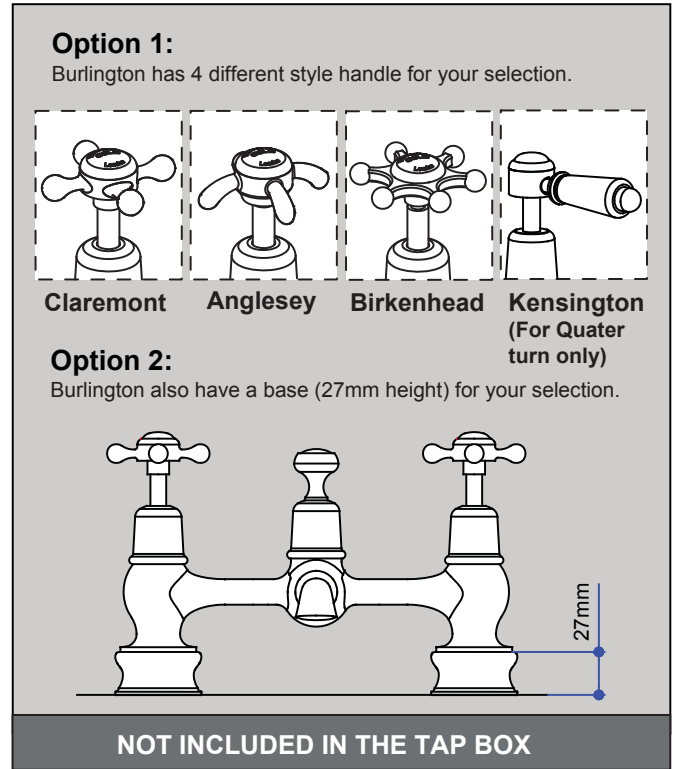
**THE CORRECT STRAIGHTENER /AERATOR MUST BE INSTALLED TO AVOID WATER SPRAYING IN AN UNCONTROLLED FASHION WHEN SWIVELING THE SPOUT.**

Use NEOPERL Key to unscrew the straightener in the Nozzle. Replace with the aerator provided, and screw back in nozzle tightly. (If you misplace the Neoperl key you can use the top of the aerator/straightener as a key)

### Cleaning

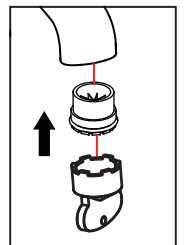
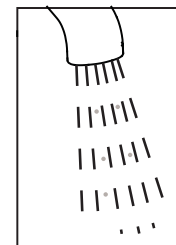
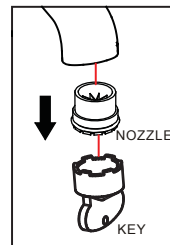
**Before use:** Unscrew the filter and allow the water to run freely for 5 minutes. Then screw the filter back in place.

**Periodically:** Using the key provided unscrew the nozzle and remove. Rinse it with cleaning running water until any loose debris is cleared. Then replace the nozzle and tighten with key provided.

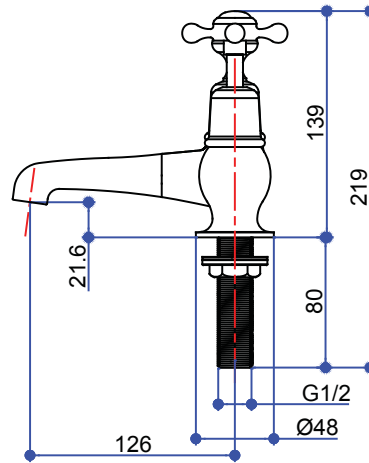
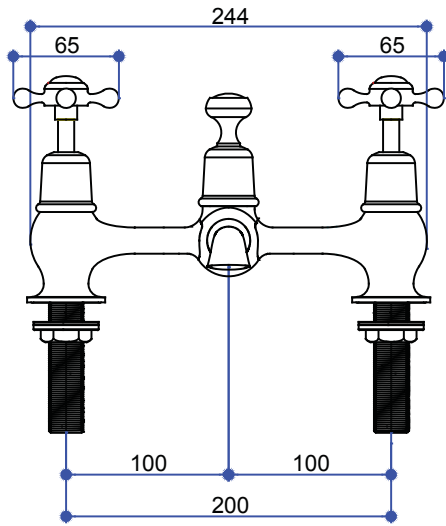


FLOW STRAIGHTENER

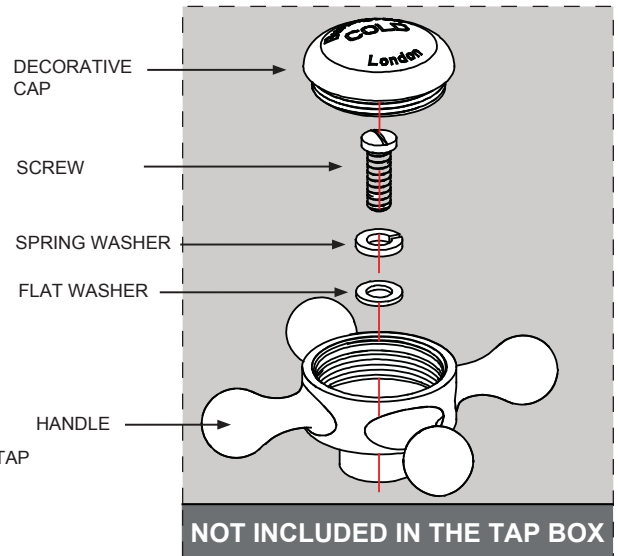
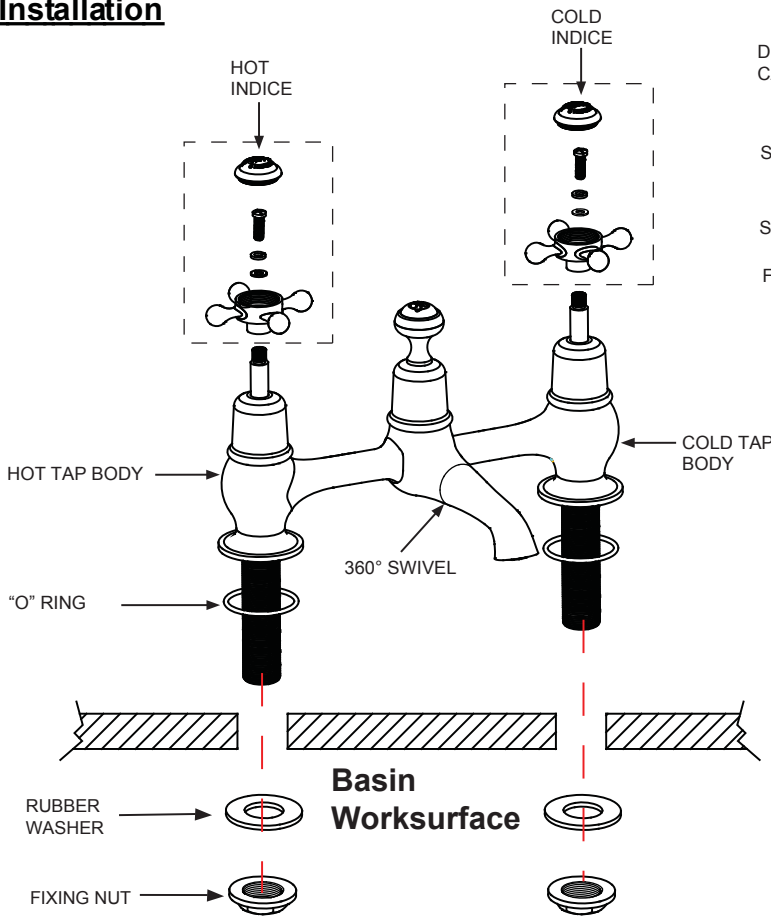
AERATOR



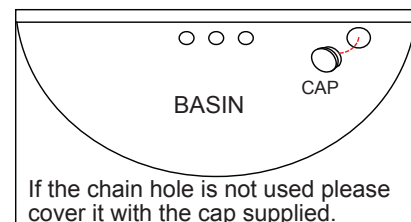
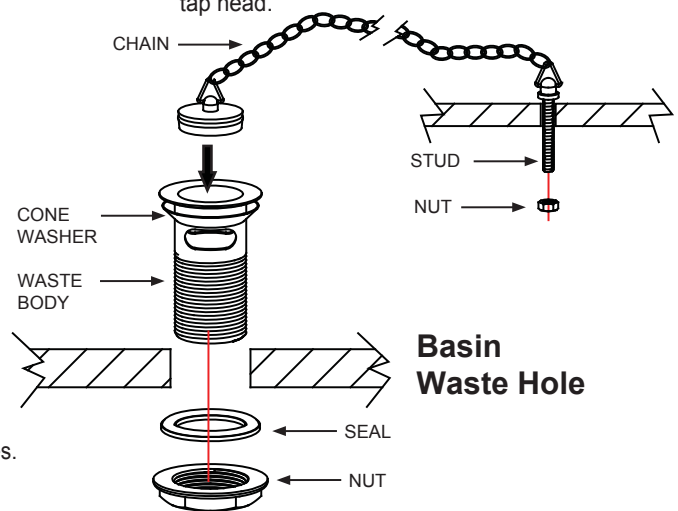
## Dimension



## Installation



Note: To ensure the Kensington lever tap head faces in the correct forward position once installed, you may need to tighten the cartridge into the tap body a notch with a monkey spanner and then re-attach the tap head.



1. Fit the "O" ring into the groove on the underside of the tap left and right body.
2. Insert the tap body into the two tap holes on basin from above.
3. Tighten the rubber washer & the fixing nut and fix the body on the basin.
4. Install Plug & Chain waste:
  - a) Remove the nut from the screw at the end of chain.
  - b) Insert the screw into the basin waste chain hole, just near the 3 overflow holes.
  - c) Put the nut back to screw and tighten it on the backside of basin.
  - d) Insert the plug waste in the basin waste hole and tighten.
  - e) Shear the chain if it's too long in your basin.

## Caution

The swivel spout should not be used as a substitute for on/off function. Use handles in all circumstances to close water flow.

## Maintenance

We do NOT recommend you use any household cleaners to clean the product. Because these cleaners change substance or formula too frequently. The product should be always cleaned only with soapy water and rinsed with clean water and dried with a soft cloth.