

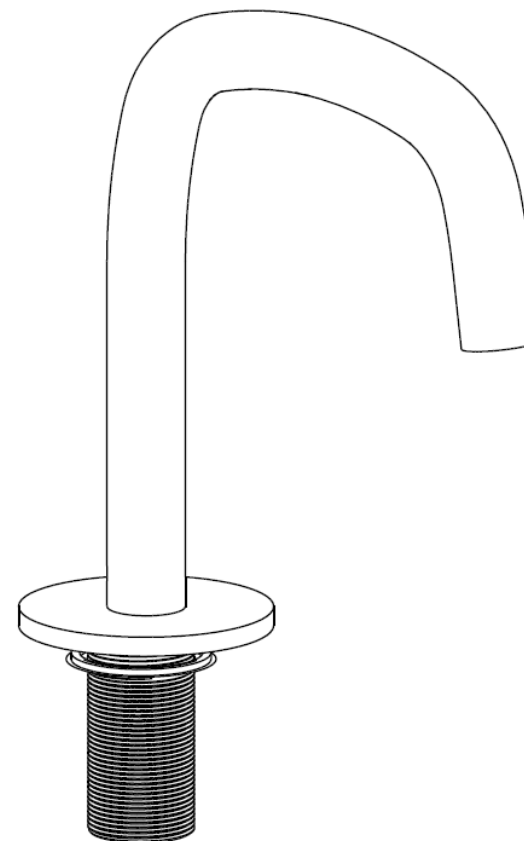


 U.P. Code
 ASME A112.181/CSA B125.1

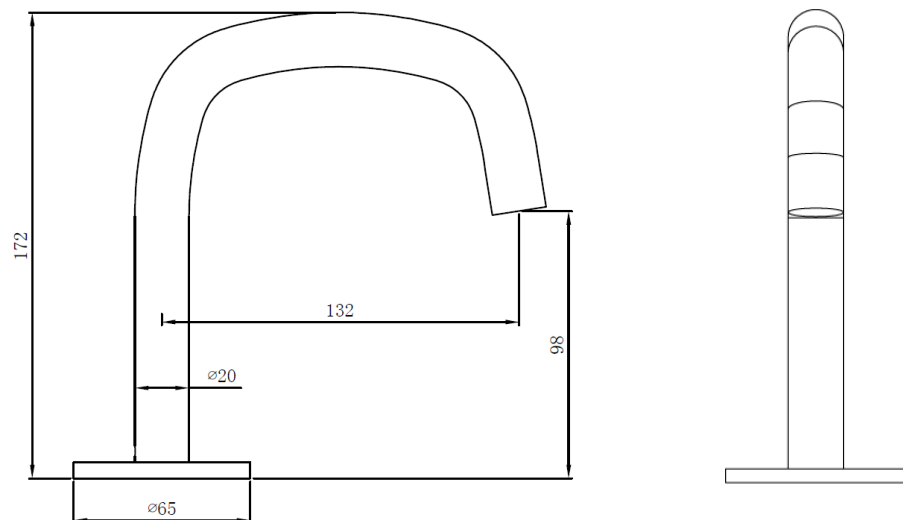
Made in Italy
 by **COCOON**
 Year - Month

PIETBOON

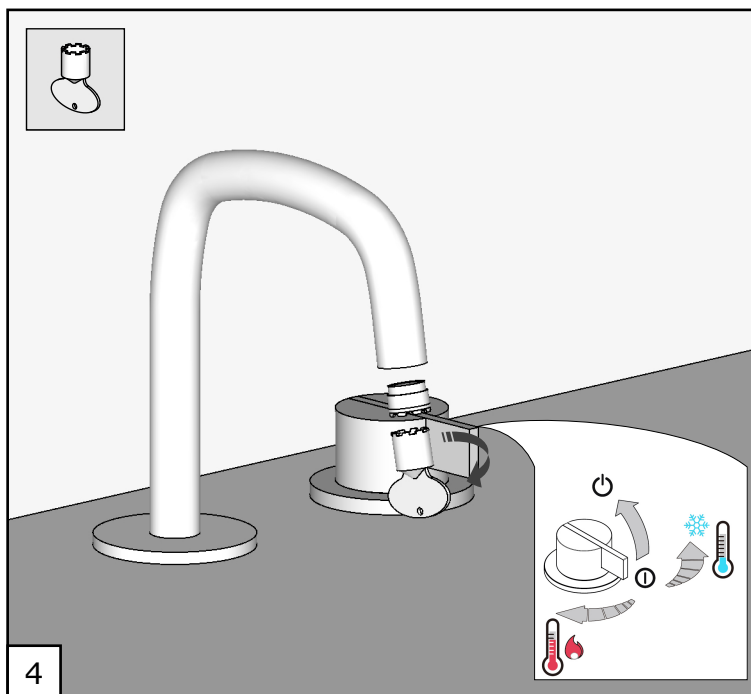
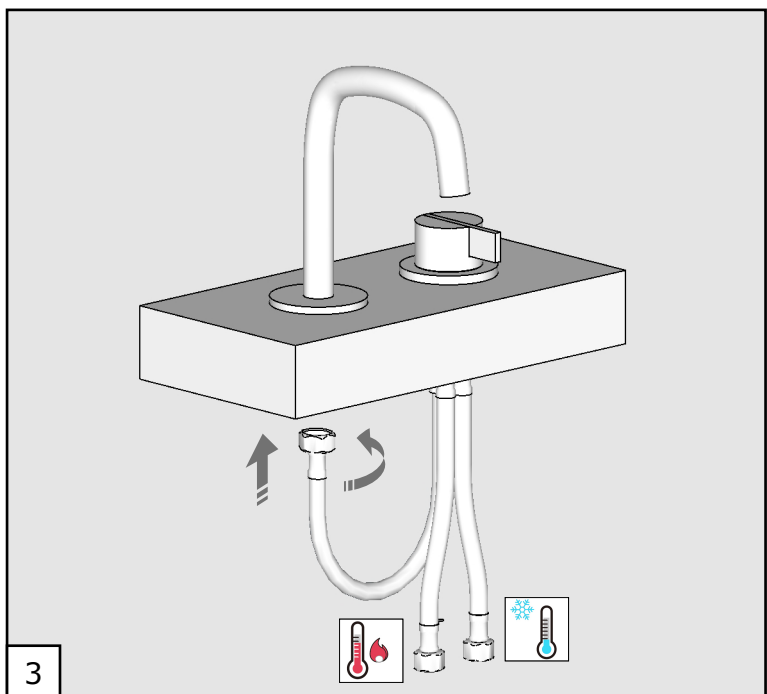
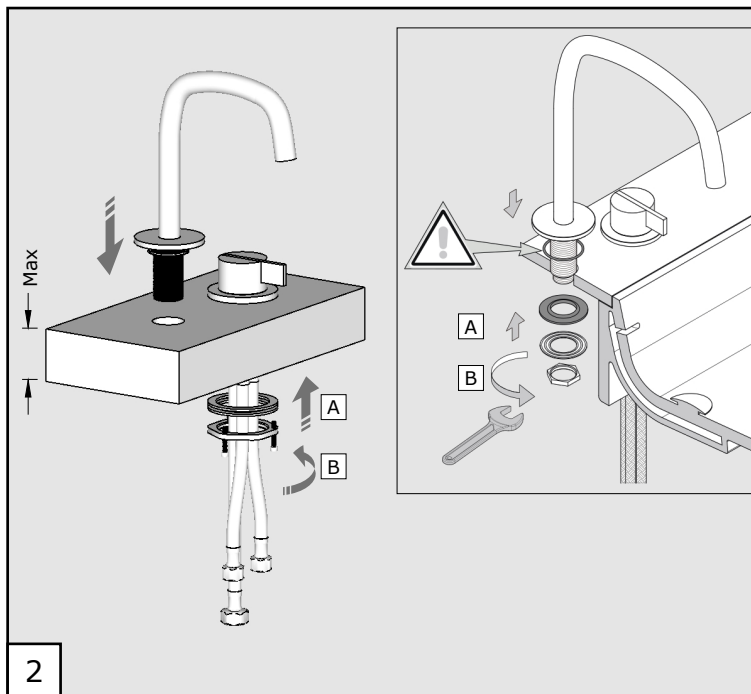
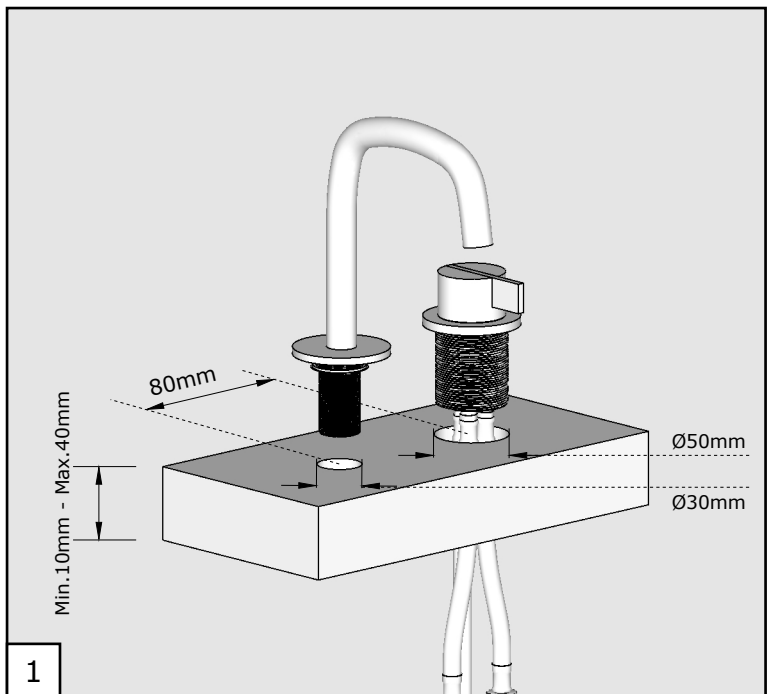
by **COCOON**



PB11 - MICRO



PB11 - MICRO



PIETBOON

by

COCOON

PB04_PB11-MICRO


Operating conditions

-Recommended flow temperature	≤65°C
-Maximum flow temperature momentary	≤90°C
-Minimum flow pressure	2 bar
-Maximum flow pressure	5 bar
-Recommended operating pressure	3 bar
-Test pressure	10 bar

Attention of the plumber

- The pipes have to be rinsed thoroughly before installation
- Avoid pressure differences between hot / cold water supply
- Use of pressure reducer when static pressure is higher than 5 bar to avoid damage the cartridge.

AERATORI IN DOTAZIONE / AERATORS INCLUDED

 Aeratore montato / Mounted aerator
5.5 Vmin / 1.2 gpm