

TOILET ROLL HOLDER WITH RESERVE ROLL WP164



148 x 348 x 150 mm

with 1 concealed reserve roll

- Toilet roll holder with one concealed reserve roll in robust, germ-reducing and easy-care stainless steel (AISI 304).
- All-stainless steel housing; all corners fully welded. Visible surfaces satin finished and brushed. Further available surfaces: see below.
- Designed for two standard toilet rolls, including one concealed reserve roll, which drops down automatically with dimensions:
 - Outer diameter max. 125 mm
 - Width max. 100 mm
 - Core diameter min. 38 mm
- Inspection slot to indicate fill level.
- Accessible for refilling through lockable front flap.
- Keyed alike cylinder lock in corrosion-resistant zinc die-casting.
- Wear parts can be replaced as modules.
- Mounting: With four screws through key holes and one optional anti-theft hole in the back wall.
- Delivery includes fixing material.
- Weight, including single package: 3.9 kg

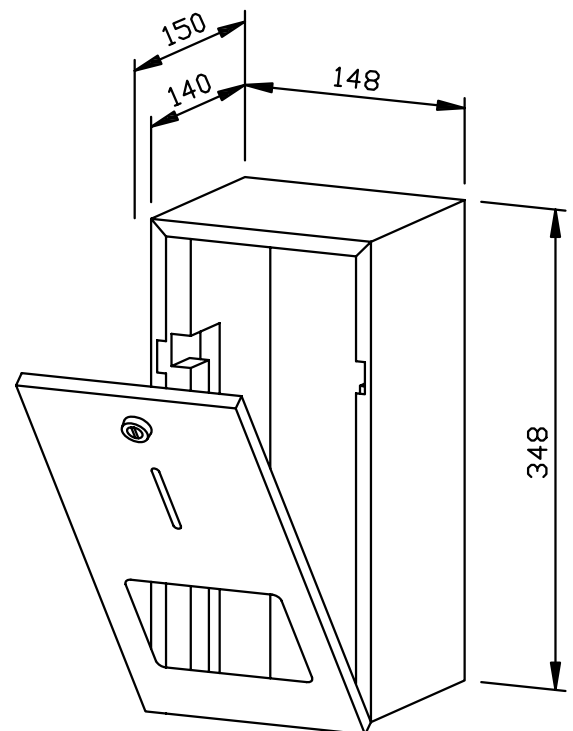


Suggested text for specifications:

Toilet roll holder with one concealed reserve roll in stainless steel (AISI 304) for surface mounting. All-stainless steel housing; all corners fully welded, visible surfaces satin finished and brushed. Designed for two standard toilet rolls, including one concealed reserve roll, which drops down automatically. Inspection slot to indicate fill level. Accessible for refilling through lockable front flap. Keyed alike cylinder lock in corrosion-resistant zinc die-casting. Delivery includes fixing material.

Dimensions: 148 x 348 x 150 mm

Article No. WP164



Available surfaces	ID No.
satin finished (standard)	727 200
highly polished	733 300
(coloured) plastic powder-coating	728 203

Ernst Wagner GmbH & Co. KG

Ernst-Abbe-Straße 21 · D-72770 Reutlingen · Tel.: +49712151539-0 · Fax: -20
info@wagner-ewar.de · www.wagner-ewar.de

WAGNER
EWAR