

NORMANDY

NOSK22

Normandy Drop In or Undermount Rectangular Hammered Copper Bar Sink 21 5/8" x 15 11/16" x 7 5/16"



SHOWN IN NORMANDY DROP IN OR UNDERMOUNT RECTANGULAR HAMMERED COPPER LAVATORY SINK 14 15/16" X 11

TECHNICAL DETAILS

ADA Compliance: When installed per ADA guidelines
Bowl Shape: Rectangular
Depth / Width: 15 11/16"
Height: 7 5/16"
Installation Type: Drop In or Undermount
Length: 21 5/8"
Outer Rim Shape: Rectangular
Primary Material: Hammered Copper
Suggested Application: Bar, Kitchen

INSPIRATION

Like the antique French copper cookware that inspired them, our Normandy sinks lend a special warmth and richness to any environment. Each pure red copper design is hammered and polished by hand according to the old French tradition.

CODES & STANDARDS

Code # NOSK22:

PRODUCT FEATURES

Handcrafted in France from sheets of copper and formed in individual molds.
The Normandy sinks are finished with a burnishing hammer and polished by hand.
Suitable for bar or kitchen.

PRODUCT (NOTES)

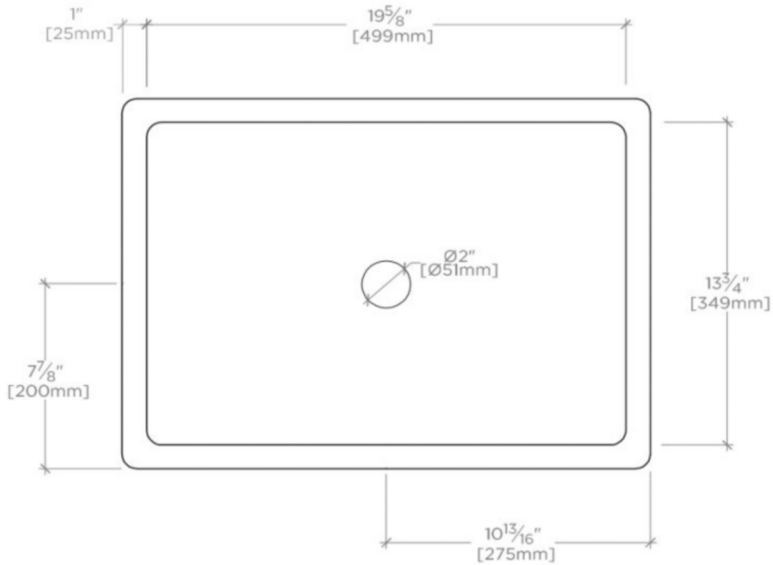
Dimensions of sinks are nominal and are subject to slight variations.

WATERWORKS

NORMANDY

NOSK22

Normandy Drop In or Undermount Rectangular Hammered Copper Bar Sink 21 5/8" x 15 11/16" x 7 5/16"



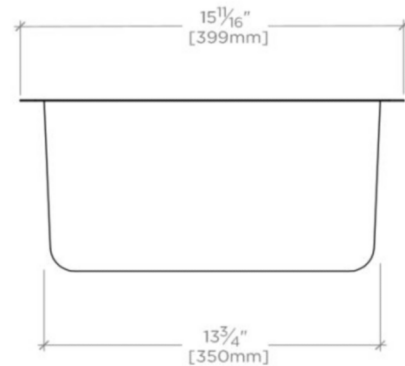
TOP VIEW

SCALE: 1/2"=1'-0"



FRONT VIEW

SCALE: 1/2"=1'-0"



SIDE VIEW

SCALE: 1/2"=1'-0"