

Features

- For use with a handshower (sold separately).
- Integrated supply and holder reduces the number of components needed in the shower space, allowing for a clean, contemporary look.
- Pivots and rotates to position handshower at desired angle.
- Includes check valve for backflow prevention.
- 5" (127 mm) x 2-3/16" (56 mm) x 2-3/16" (56 mm)
- Coordinates with Loure and Stance® faucets and accessories.

Material

- Durable metal construction.
- KOHLER finishes resist corrosion and tarnishing.

Installation

- Wall-mount.

Required Products/Accessories

- K-21335 2.5 gpm multifunction handshower with Katalyst®
or
- K-21335-G 1.75 gpm multifunction handshower
or
- K-21336 2.5 gpm multifunction handshower K with Katalyst®
or
- K-21336-G 1.75 gpm multifunction handshower

Recommended Products/Accessories

- K-23723 Faucet cleaner



Codes/Standards




ASME A112.18.1/CSA B125.1

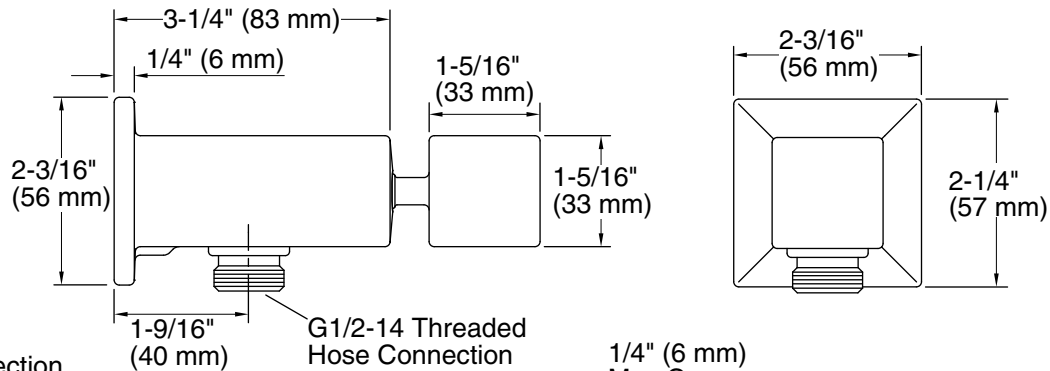
KOHLER® Faucet Lifetime Limited Warranty

See website for detailed warranty information.

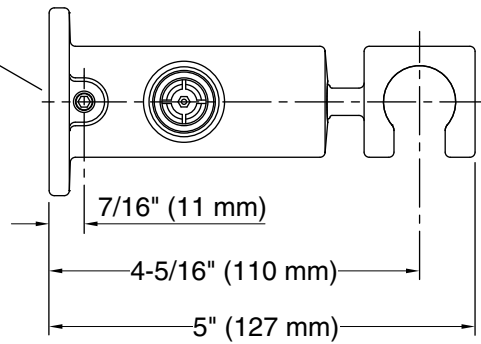
Available Colors/Finishes

Color tiles intended for reference only.

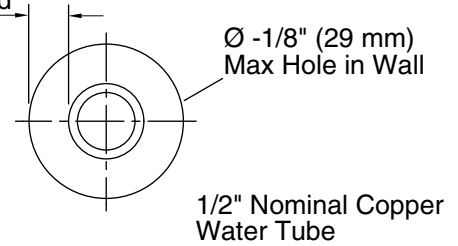
Color	Code	Description
	CP	Polished Chrome
	SN	Vibrant® Polished Nickel
	BN	Vibrant® Brushed Nickel



For slip-fit connection, tubing must extend 1" (25 mm) Min to 1-1/8" (29 mm) Max beyond finished wall.



1/4" (6 mm)
Max Gap
All Around



Notes

Install this product according to the installation guide.
Product installs using a slip-fit connection to a 1/2" nominal copper tubing.

Technical Information

All product dimensions are nominal.

Installation Type: Wall-mount

Material: Metal