

NORMANDY

NOSK39

Normandy 29 9/16" x 17 11/16" x 9 5/8" Hammered Copper Farmhouse Apron Kitchen Sink with Center Drain



SHOWN IN NORMANDY 29 9/16" X 17 11/16" X 9 5/8" HAMMERED COPPER FARMHOUSE APRON KITCHEN SINK WITH

TECHNICAL DETAILS

ADA Compliance: When installed per ADA guidelines
Bottom Angle / Pitch: 5.5 degree_angle
Bowl Shape: Rectangular
Drain Hole Depth: 5/16"
Drain Hole Diameter: 3 1/2"
Garbage Disposal: Y
Depth / Width: 17 11/16"
Height: 9 5/8"
Installation Type: Undermount
Length: 29 9/16"
Number of Holes: One Hole
Outer Rim Shape: Rectangular
Primary Material: Hammered Copper
Sound Proofing: N
Suggested Application: Bar, Kitchen, Laundry

INSPIRATION

Like the antique French copper cookware that inspired them, our Normandy sinks lend a special warmth and richness to any environment. Each pure red copper design is hammered and polished by hand according to the old French tradition.

CODES & STANDARDS

Code # NOSK39:

PRODUCT FEATURES

16 Gauge lead free pure red copper

Hand Hammered and hand polished

All Normandy kitchen sinks with 3 1/2" drain can be used with garbage disposals or 3 1/2" kitchen drain(UNKS30).

Bar sinks require 2 1/2" bar drains(UNKS15).

A copper sink will patina and age to a unique, individual appearance which reflects its handmade heritage.

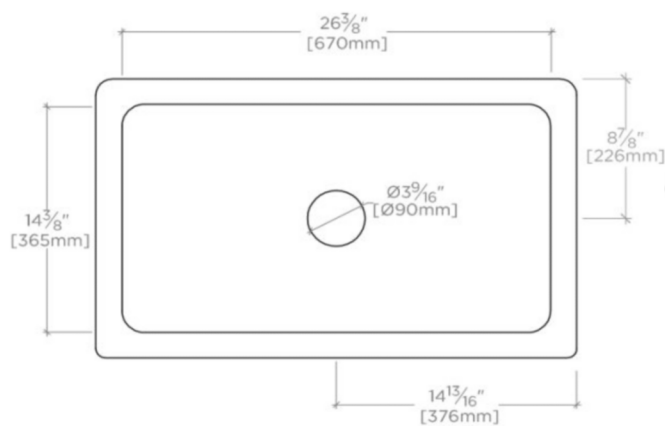
PRODUCT (NOTES)

Dimensions of sinks are nominal and are subject to slight variations.

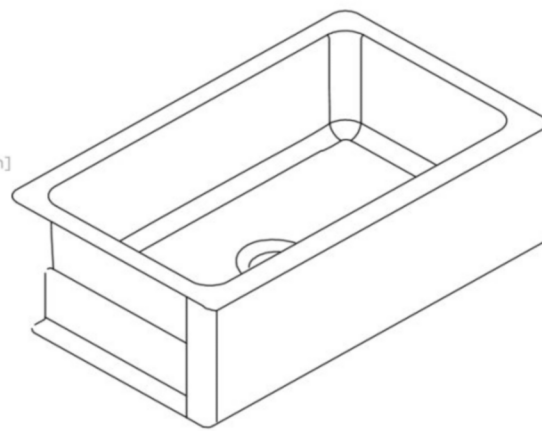
NORMANDY

NOSK39

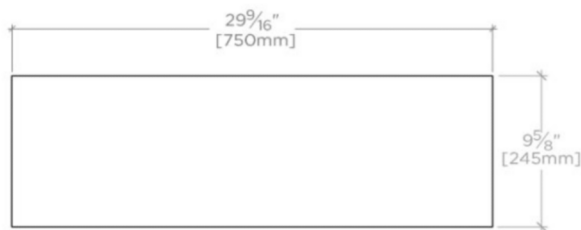
Normandy 29 9/16" x 17 11/16" x 9 5/8" Hammered Copper Farm-house Apron Kitchen Sink with Center Drain



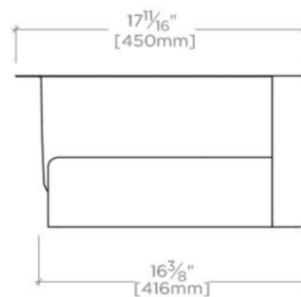
TOP VIEW SCALE: 1"=1'-0"



ISO VIEW SCALE: 1"=1'-0"



FRONT VIEW SCALE: 1"=1'-0"



SIDE VIEW SCALE: 1"=1'-0"