

Material

- Metal construction.
- KOHLER finishes resist corrosion and tarnishing.

Installation

- Bath-, deck-, or wall-mount.

Required Products/Accessories

K-300-K High Flow Bath Valve

or

K-300-KR High Flow Valve w/ Rigid Connections

or

K-301-K ¾" High-Flow Bath Valve

or

K-302-K 1/2" Ceramic In-Wall Valve System

Recommended Products/Accessories

K-23723 Faucet cleaner

Optional Products/Accessories

73444 Roughing-in Kit for 1/2" Valve Systems

1086701 Roughing-in Kit for 3/4" Valve Systems



ADA

CSA B651

OBC

Codes/Standards

ASME A112.18.1/CSA B125.1

ADA

ICC/ANSI A117.1

CSA B651

OBC

KOHLER® Faucet Lifetime Limited Warranty

See website for detailed warranty information.

Available Colors/Finishes

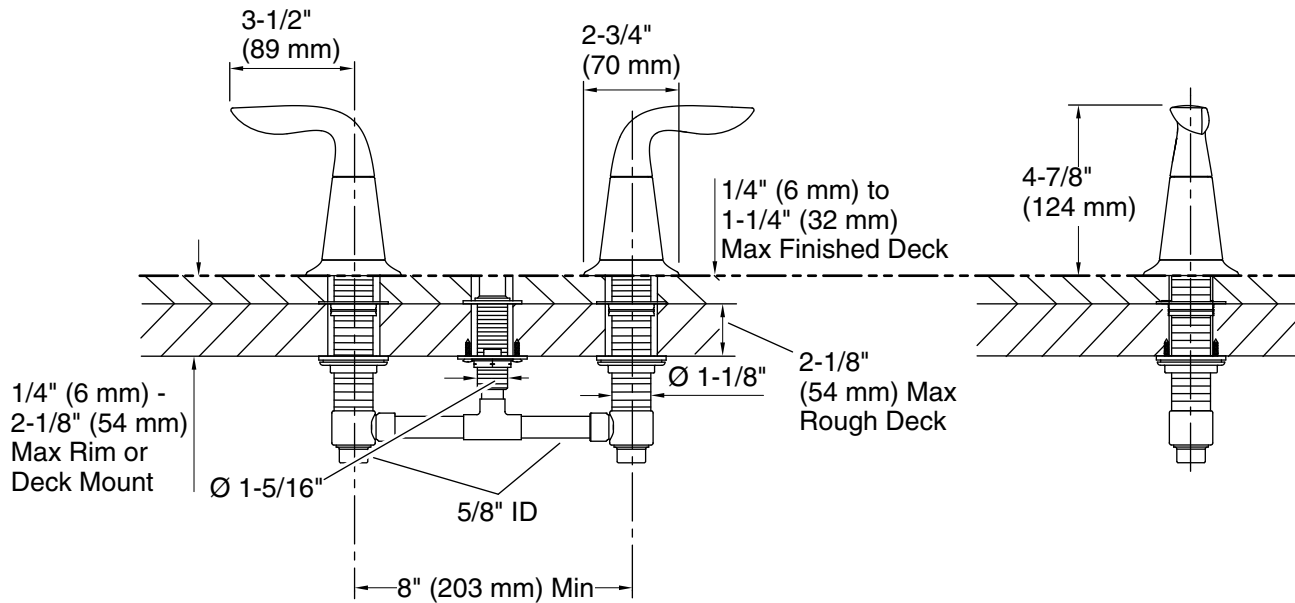
Color tiles intended for reference only.

Color Code Description



CP Polished Chrome

BN Vibrant® Brushed Nickel



Rim or Deck
Mount Installation

Rough + Finished Deck
Mount Installation

Technical Information

All product dimensions are nominal.

Notes

Install this product according to the installation instructions.

ADA, OBC, CSA B651 compliant when installed to the specific requirements of these regulations.