

E1519



Collection: COQUILLE

Finish*:



00 - White

Main features:



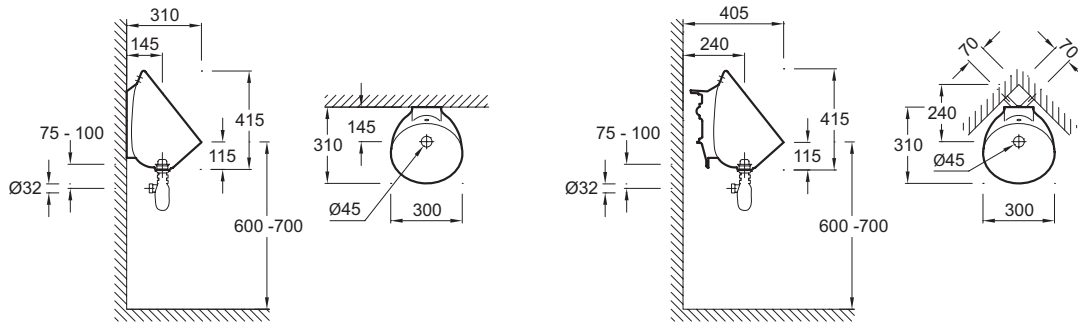
Features

- DIMENSIONS: 31 x 41.50 cm
- MATERIAL: Ceramic
- HEIGHT: Standard
- WEIGHT: 7.6 kg
- INSTALLATION TYPE: Wall-mount
- Exposed supply and drainage

Installation benefits

- Front or corner installation

Technical drawing



Product Specification: Urinal with water spreader. E1519. Collection: COQUILLE. DIMENSIONS: 31 x 41.50 cm. WEIGHT: 7.6 kg. MATERIAL: Ceramic. INSTALLATION TYPE: Wall-mount. HEIGHT: Standard. Exposed supply and drainage.

*Due to possible variations in computer and printer calibrations, technical factors and certain finish characteristics, the colors you see may not accurately portray the actual colors and are provided as a guide only.