



Purist®

Frameless Pivot Shower Door

K-705700-L

Material

- Frameless, 3/8" (10 mm) thick Crystal Clear tempered glass.

Technology

- CleanCoat® nanotechnology provides a smooth, nonstick surface to help prevent buildup of water stains, bacteria and mildew on your glass, to make it easy to clean and keep it looking like new.
- Out-of-plumb adjustability for simpler installation.
- Includes K-705748 glass, K-705767 handle, and K-705763 hardware components.
- Coordinates with other products in the Purist collection.

Installation

- Door can be installed to open to the left or right to suit your bathroom layout.
- Not for use in hospitality.
- For residential use only.

Recommended Products/Accessories

K-23723 Faucet cleaner

Included Components

Product consists of:

K-705763 Shower Door Assembly Kit

K-705748-L Glass Panel and Sidelite

K-705767 Shower Door Handles



Codes/Standards

CPSC 16CFR 1201




ANSI Z97.1

KOHLER® One-Year Limited Warranty

See website for detailed warranty information.

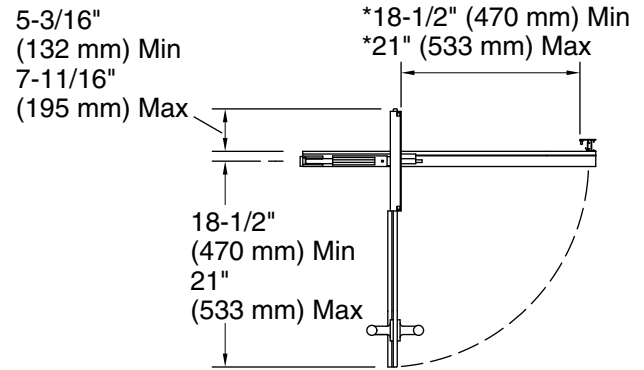
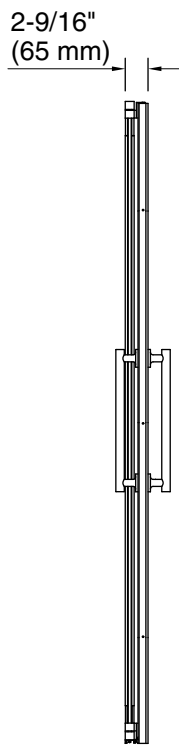
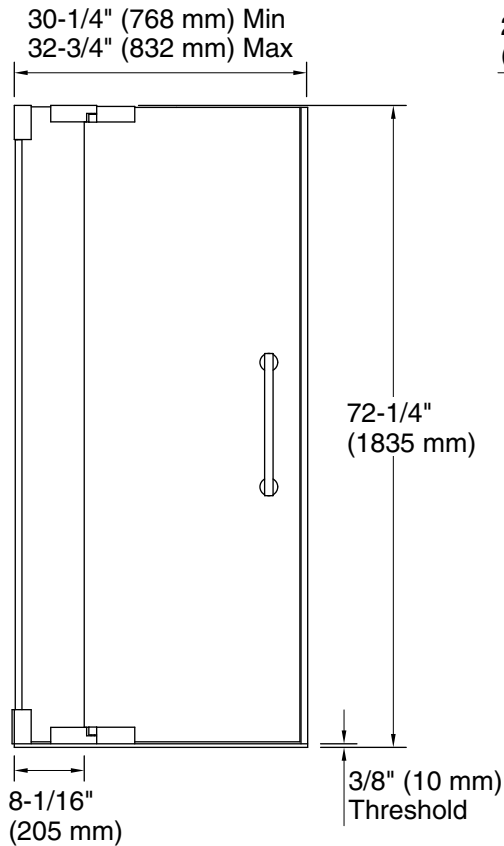
Available Colors/Finishes

Color tiles intended for reference only.

| Color | Code | Description |
|--|------|-------------------------|
|  | SHP | Bright Polished Silver |
|  | NX | Brushed Nickel |
|  | ABV | Anodized Brushed Bronze |

Available Glass Options

| Code | Description |
|------|---------------|
| L | Crystal Clear |



*Walk-through

Technical Information

All product dimensions are nominal.

Installation type: For shower base installation

Opening style: Pivot

Opening Width - Min: 30-1/4" (768 mm)

Opening Width - Max: 32-3/4" (832 mm)

Walk-through - Min: 18-1/2" (470 mm)

Walk-through - Max: 21" (533 mm)

Base-To-Wall Radius 3/8" (10 mm)

- Max:

Glass thickness: 3/8" (10 mm)

Glass coating: CleanCoat®

Notes

Install this product according to the installation guide.

The vertical opening should be a minimum of 74-1/4" (1886 mm) to allow for installation clearance.