



# MONO SET20

Components:

2 x MONO 01U mixer

1 x DB1 hand-shower set

1 x RAIN25 rain shower head

1 x WO45 or PO10/20/30



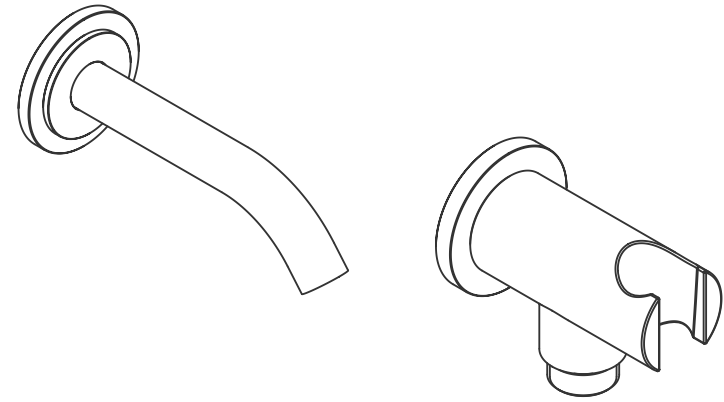
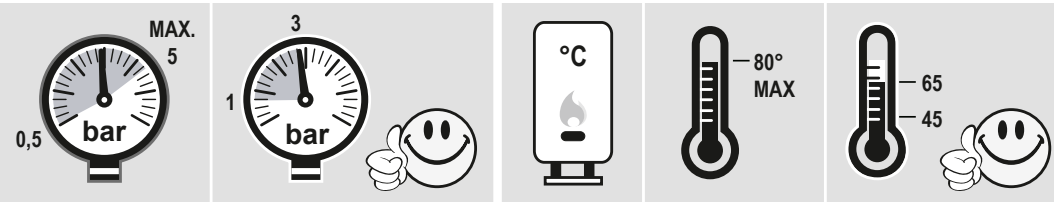
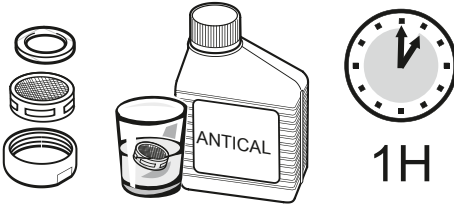
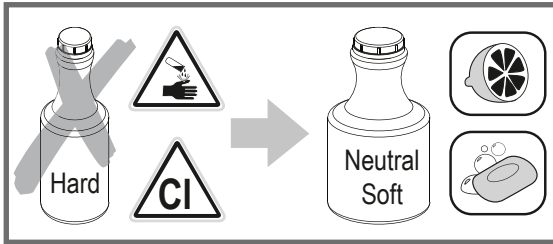
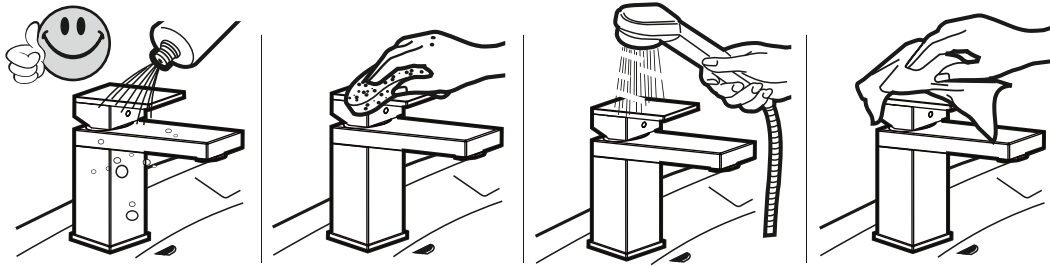
COCOON  
[www.bycocoon.com](http://www.bycocoon.com)



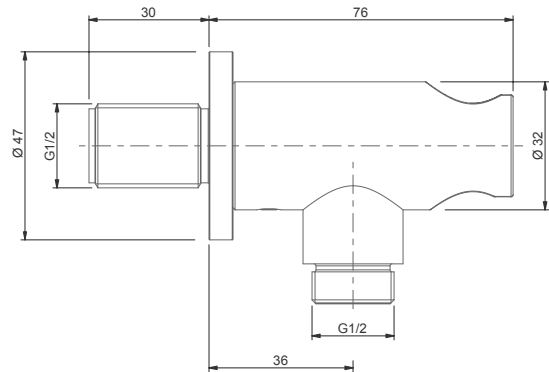
Installation Manual

**MONO 80 & DB1**

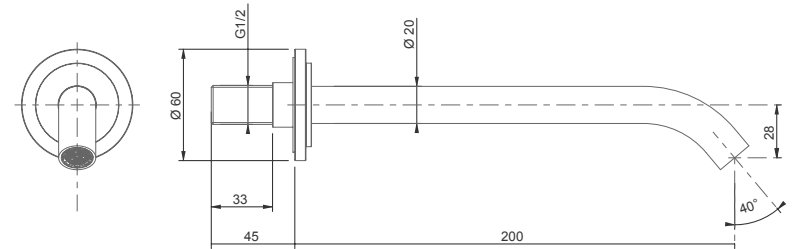
**COCOON**  
[www.bycocoon.com](http://www.bycocoon.com)

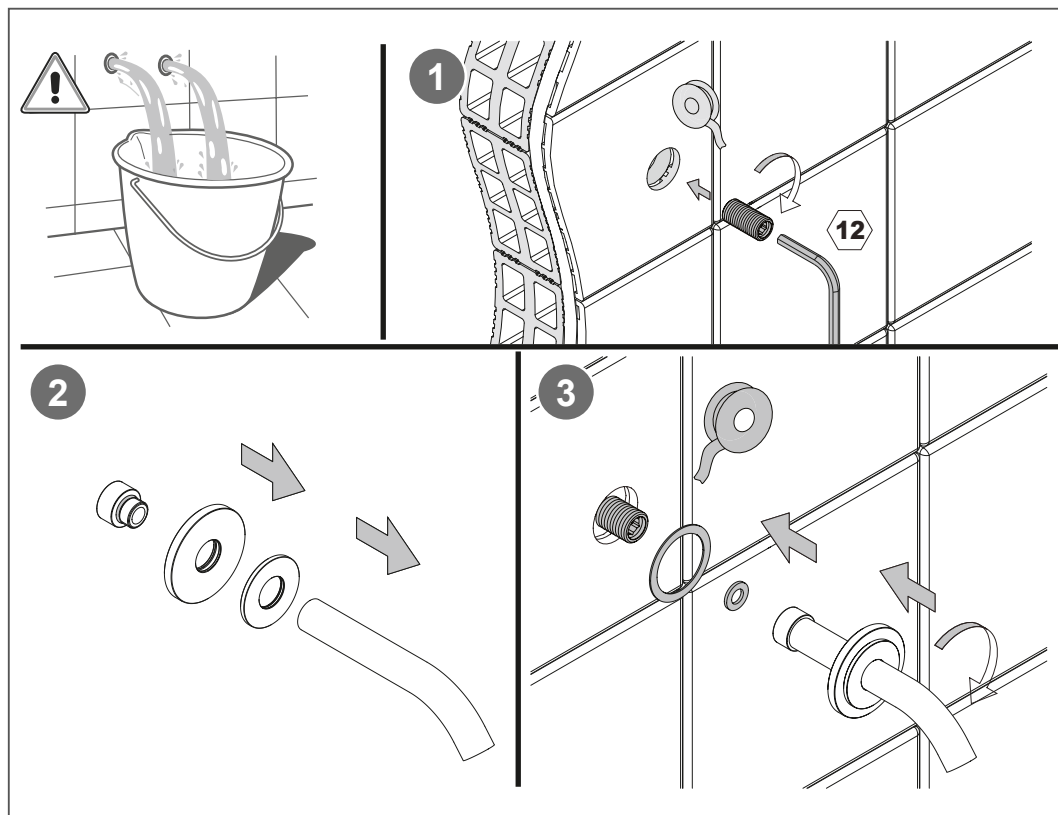
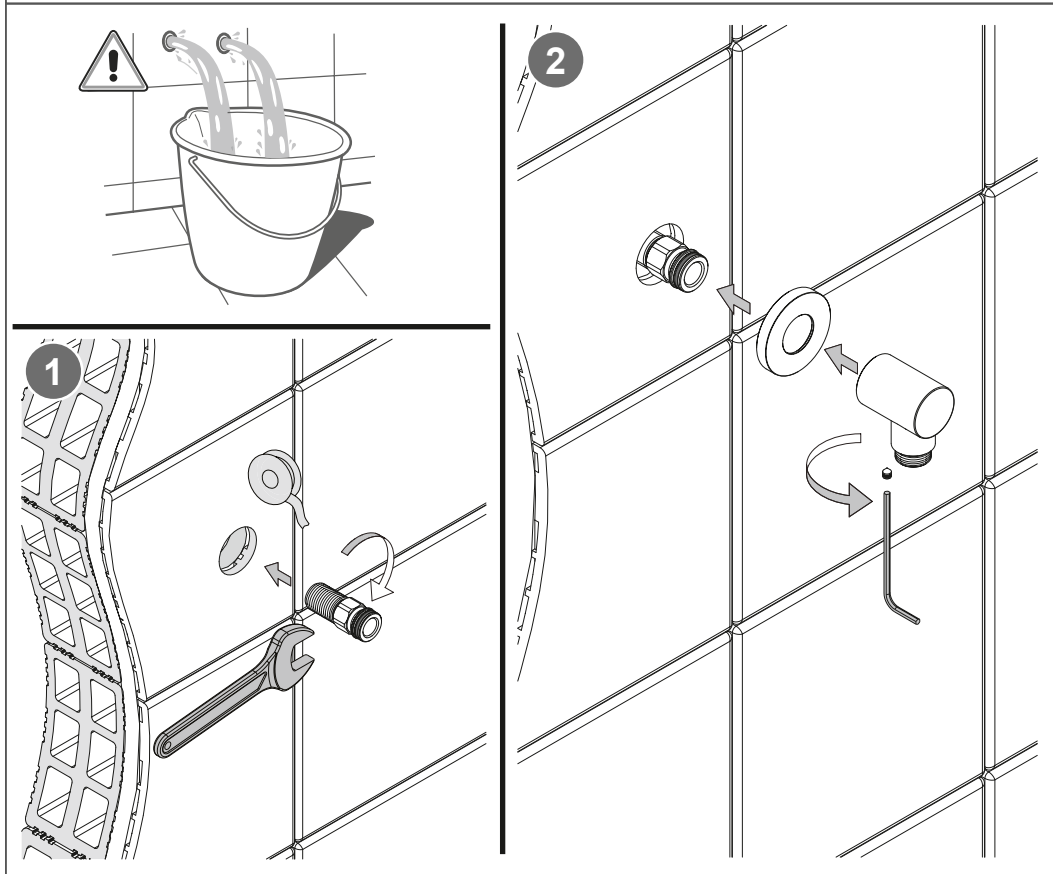
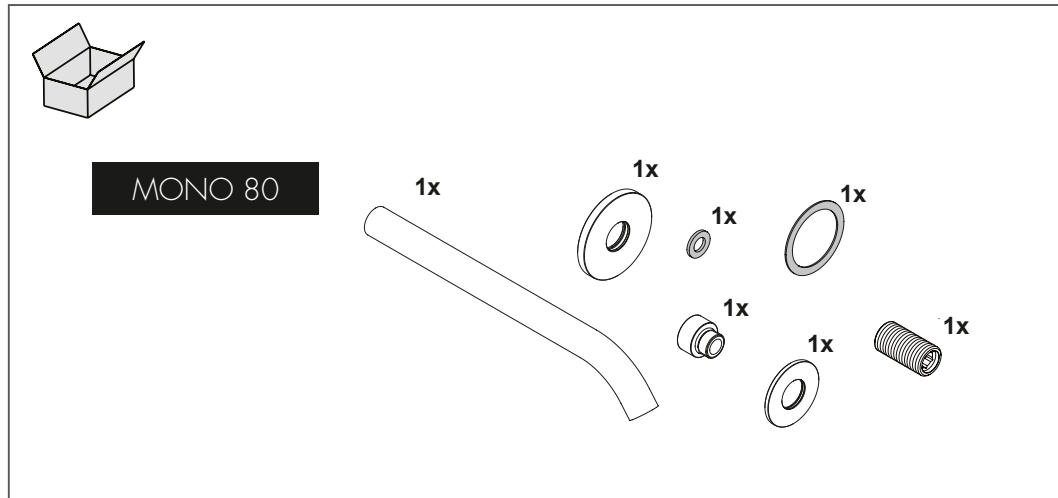
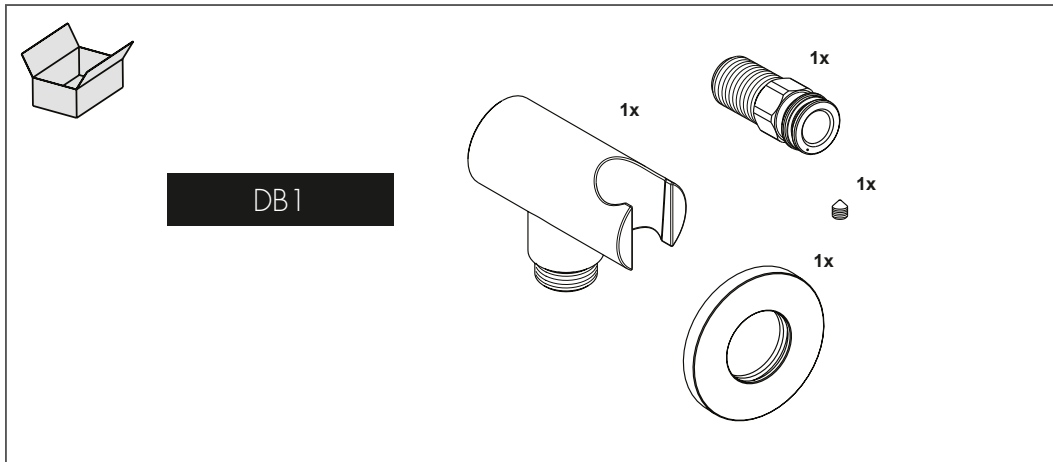


**DB1**



**MONO 80**



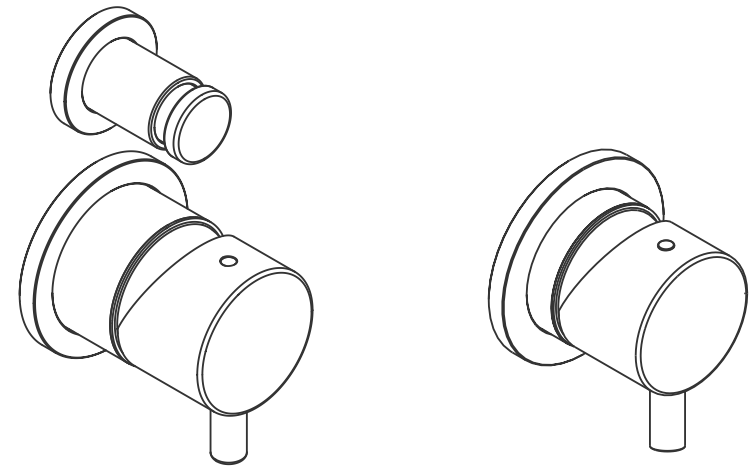
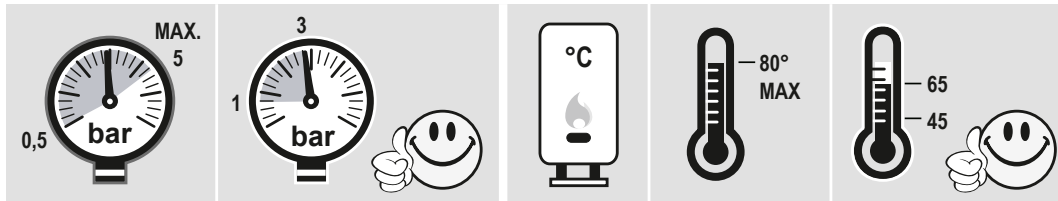
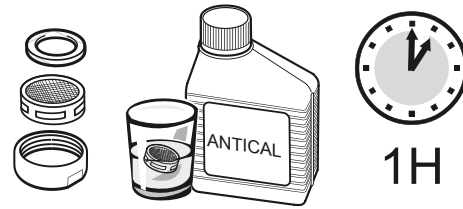
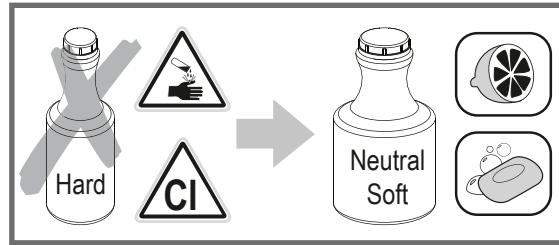
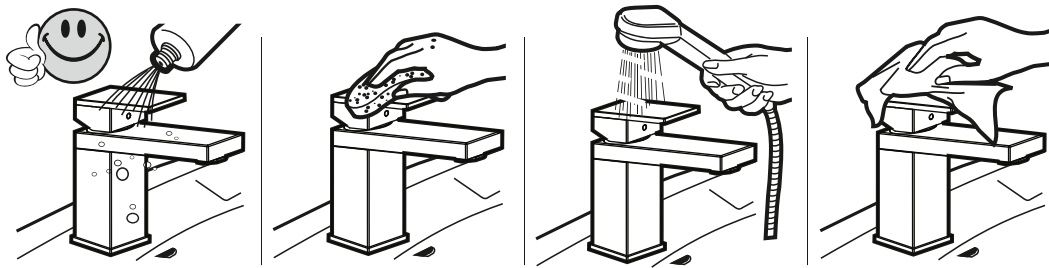




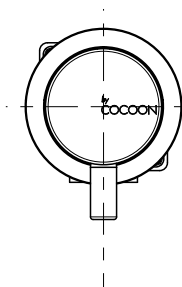
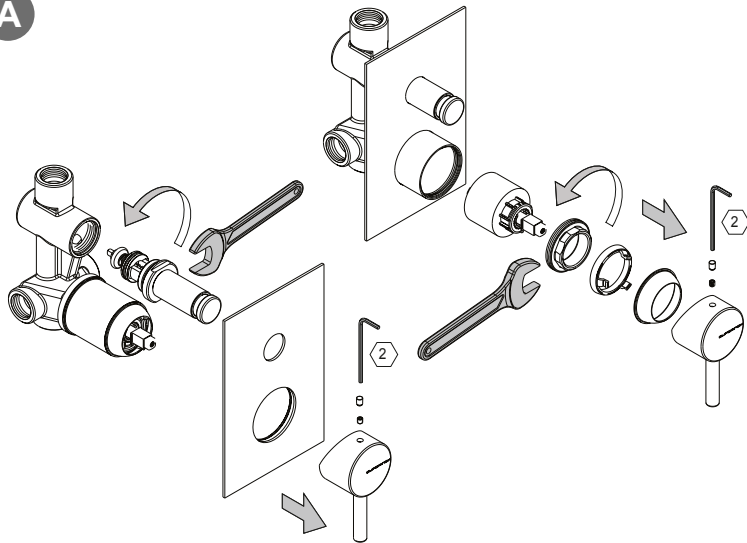
Installation Manual

**MONO 01U & MONO 02**

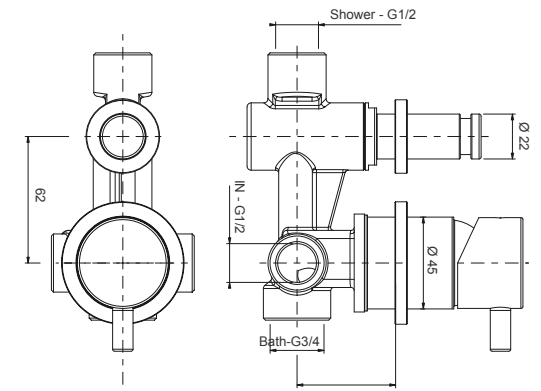
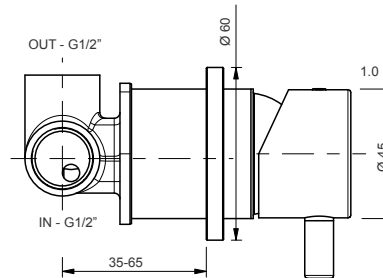
**COCOON**  
[www.bycocoon.com](http://www.bycocoon.com)



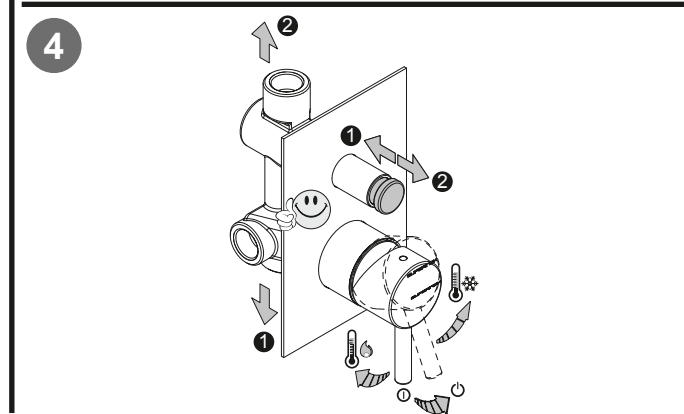
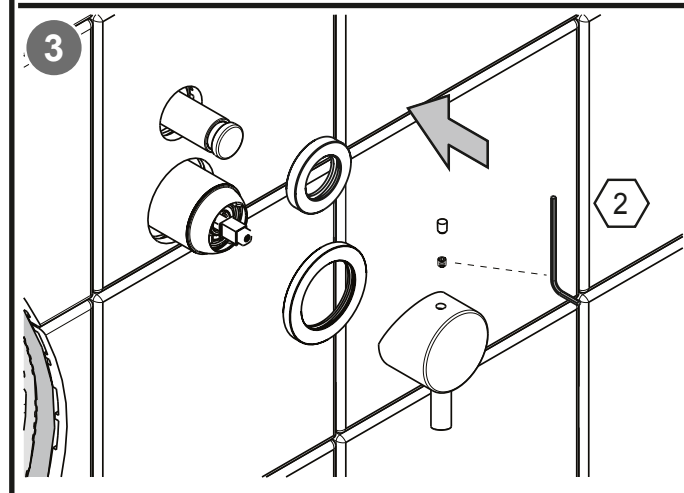
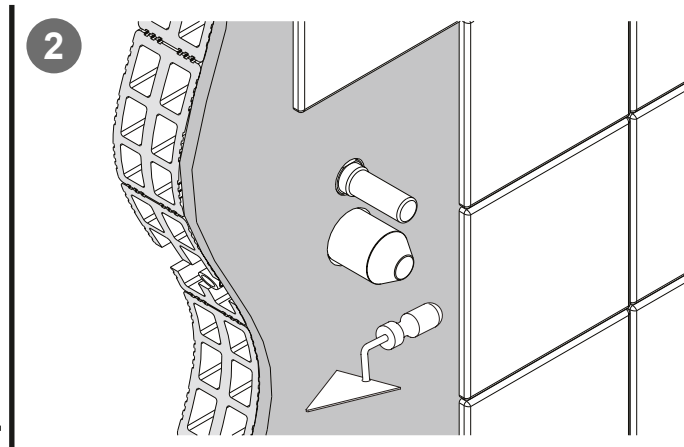
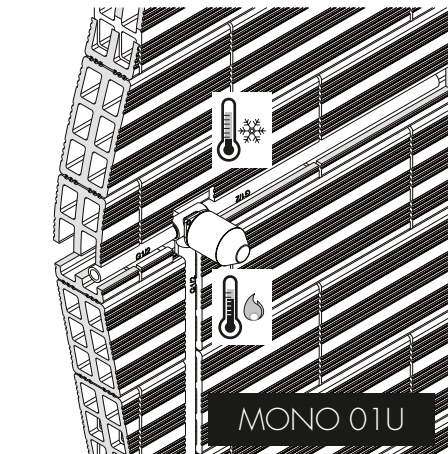
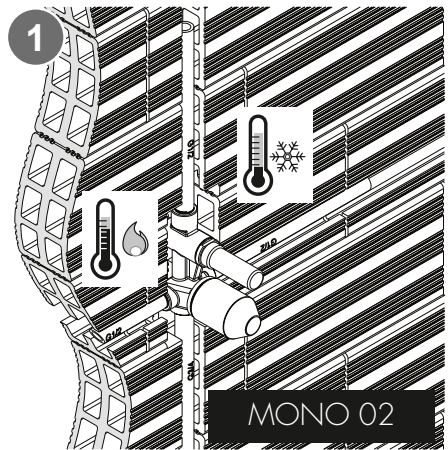
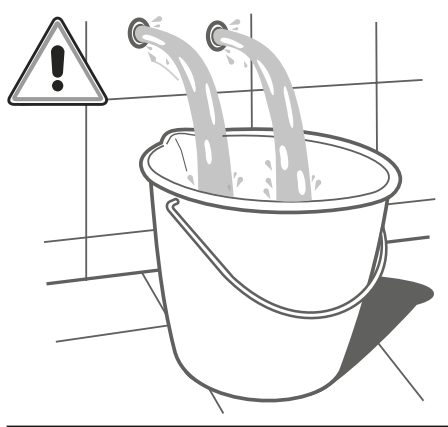
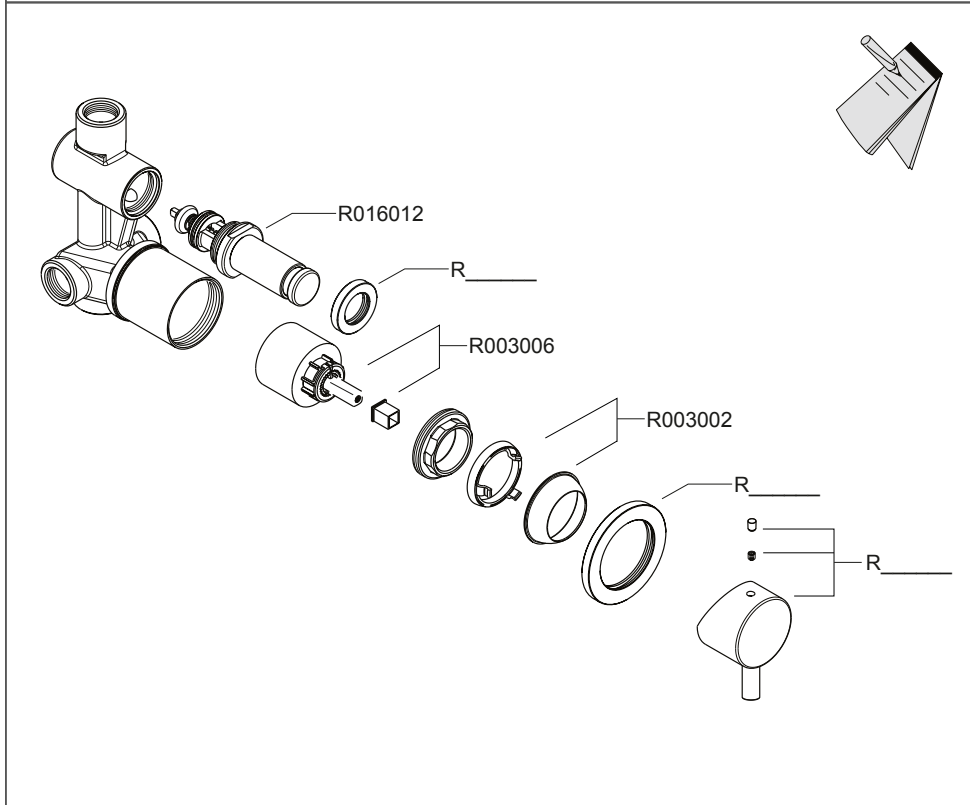
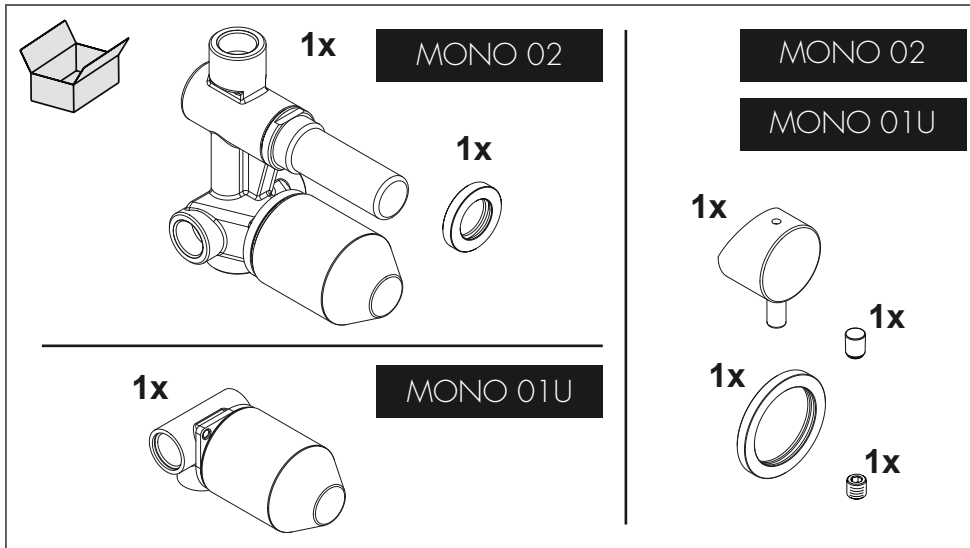
A



MONO 01U



MONO 02





create your professional account and  
order safely online at  
[www.bycocoon.com](http://www.bycocoon.com)

for technical assistance email to  
[support@bycocoon.com](mailto:support@bycocoon.com)

**COCOON**  
[www.bycocoon.com](http://www.bycocoon.com)