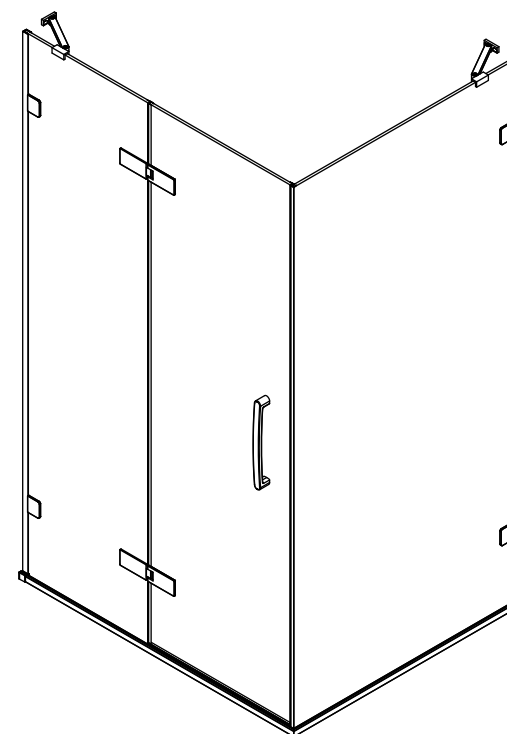


## Hinge Door & Inline Panel With Side Panel



[www.merlynshowering.com](http://www.merlynshowering.com)

**MERLYN**  
Merlyn Showering  
Unit 8, Purcellsinch Industrial Park,  
Dublin Road, Kilkenny, Ireland.  
Tel: 00353 56 779 1555  
Fax: 00353 56 779 1576  
[www.merlynshowering.com](http://www.merlynshowering.com)

To download the Declaration of Performance (DOP) for  
this product please use the link below.  
<https://merlynshowering.com/aftersales-support/dop-certs/>

## INSTALLATION GUIDE

**IMPORTANT: Please read the complete instructions before commencing fitting.**

Make sure the tray is 100% level in all directions.  
 Check that you have the tools required. □  
 Check the installation site is compatible with the sizes of door supplied. □  
 Check all the enclosure components are present. □  
 Check the installation kit is complete. □  
 Do Not attempt to install the product unless you can tick all 4 boxes satisfactory.  
 The wall plugs supplied with the installation kit are for use in solid walls. Hollow or 'stud partition' walls will require alternative fixings. Please consult a hardware supplier for the correct type.

**ATTENTION: TAKE EXTREME CARE WHEN HANDLING GLASS, WEAR PROTECTIVE EYEWEAR AND CLOTHING. DO NOT LEAVE THE GLASS ON HARD SURFACES AND AVOID CONTACT BETWEEN THE GLASS EDGES AND HARD SURFACES OR IMPACTS DURING THE INSTALLATION.**

**Fixing kit components**



Note: Extra components have been supplied to make this product suitable for left or right hand configuration and therefore some parts will be surplus to requirements.



MGVC08AL  
x1



MGVC08AR  
x1



MGVC21L  
x1



MGVC21R  
x1



MGST5X65  
x8



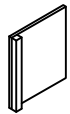
MGST4X30BH  
x1



MG8x51PLUG  
x8



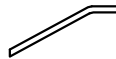
MG6x30PLUG  
x1



MGVC45  
Installation  
x1



MGVC19A  
x2



MGVC20A  
x4



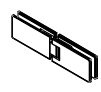
IRF6003-1  
x 4



MGCAP  
x 4



MGCOVPLT  
x 4



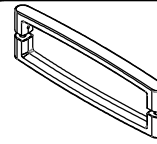
MG3DL2143  
x 2



A06S0046  
x2



MGCAP  
x 8



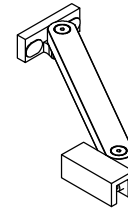
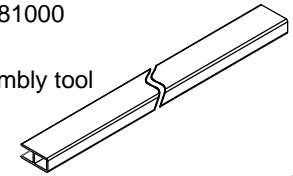
MGVC27  
x1



8S1300511  
x1

SP010SP281000  
x1

Door assembly tool



SP08SCU12320  
x2



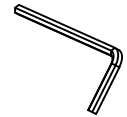
MG6x30PLUG  
x4



Cover cap  
x4

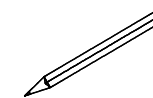


B-head ST4x30  
x4

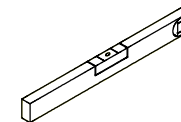


A06S0046  
x2

**Tools required**

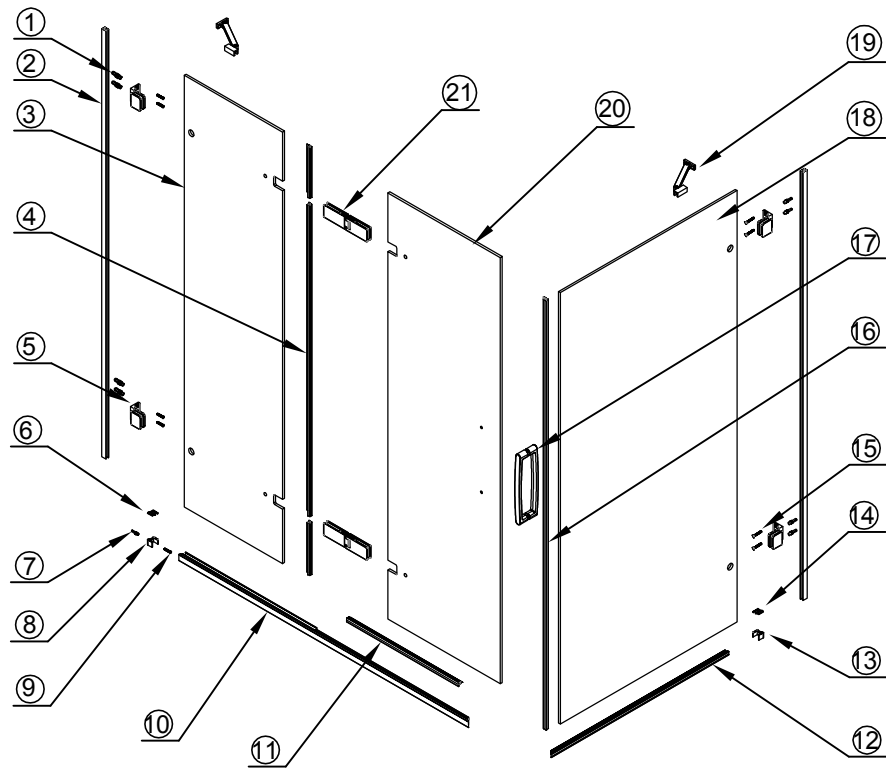


PH2



Ø6&8



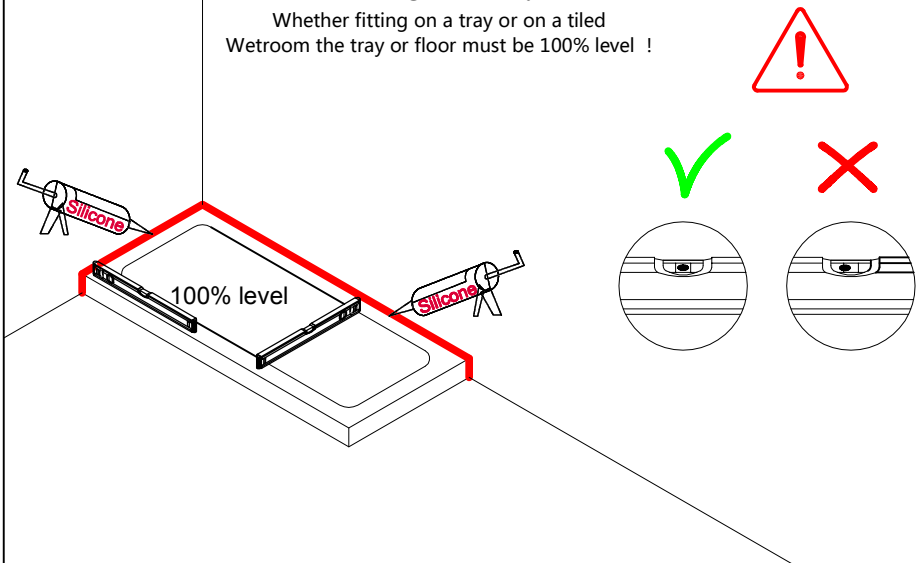


No.	QTY	Part No.	No.	QTY	Part No.	No.	QTY	Part No.
①	8	MG8x51PLUG	⑧	1	MGVC21L/R	⑮	8	MGST5X65
②	2	MGVCWPSET-SS	⑨	1	MGST4X30BH	⑯	1	MGVC41A
③	1	GMGHFB	⑩	1	GHKC	⑰	1	MGVC27
④	1	MGVC44LSET/RSET	⑪	1	MGVC30A	⑱	1	GHSA
⑤	4	IRF6003-1	⑫	1	GHKSP1	⑲	2	SP08SCU12320
⑥	1	MGVC08AL/R	⑬	1	MGVC21R/L	⑳	1	GMGDPC
⑦	1	MG6x30PLUG	⑭	1	MGVC08AR/L	㉑	2	MG3DL2143

**Step 1**

**IMPORTANT!**

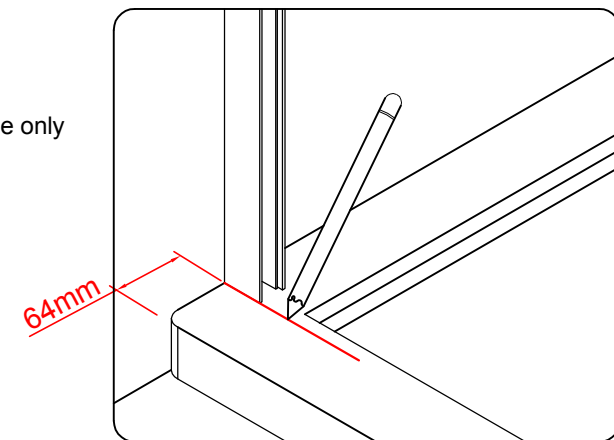
Whether fitting on a tray or on a tiled  
Wetroom the tray or floor must be 100% level !



**Step 2**

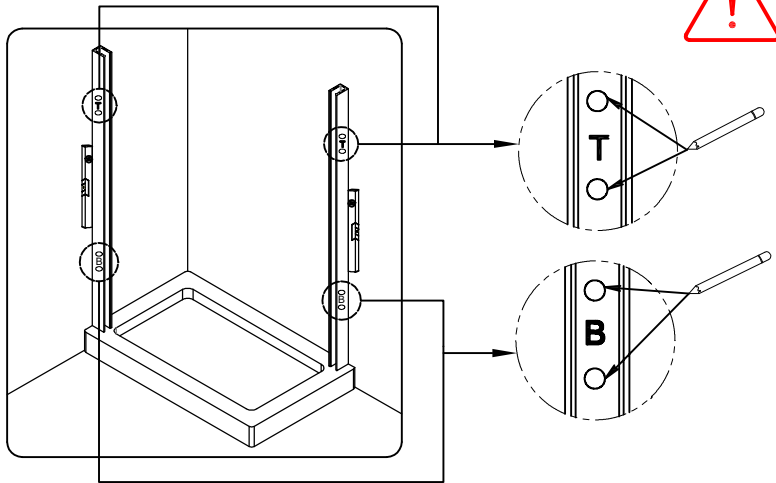
Mark 64 mm in from the edge of the tray.

Hinge fixing side only

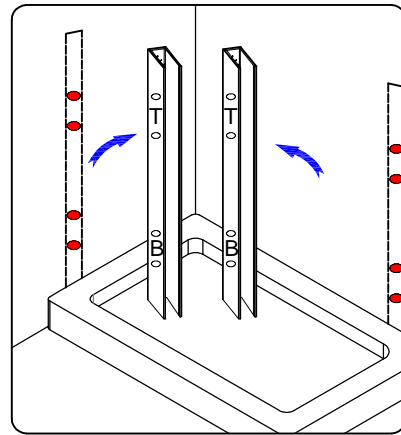
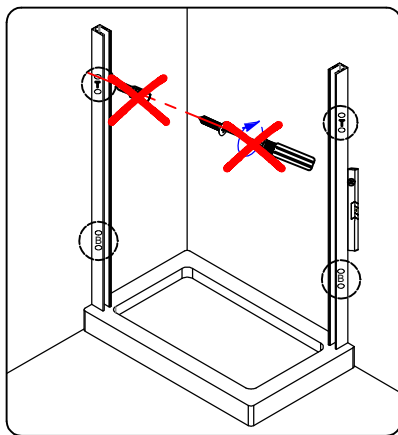


### Step 3

Note the position of the labels on the wall profile. Make sure Label 'T' is to the top and 'B' is to the bottom. Line up the outside edge of the profile with the mark and plumb vertical. Mark the wall through the pre-drilled holes.



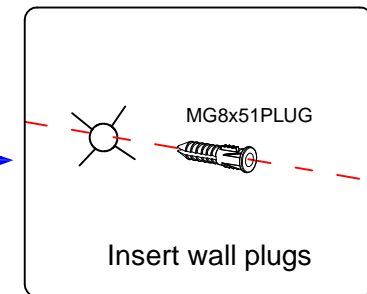
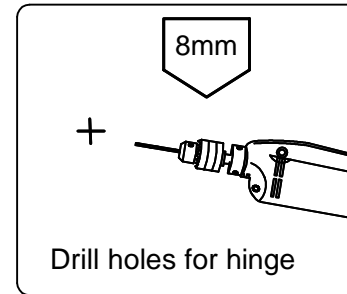
Note: Do not fix wall profile as these are the fixing points for the wall brackets.



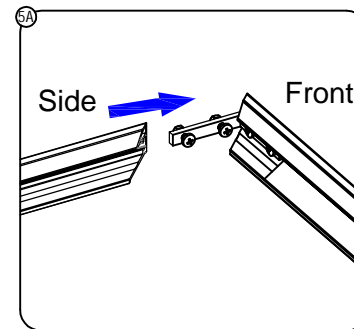
5

### Step 4

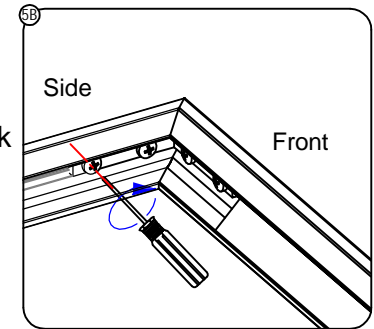
Remove profile and drill holes for wall brackets with diameter 8mm masonry bit and insert wall plugs. Ensure wall plugs are flush with tile. Repeat for each wall side panel.



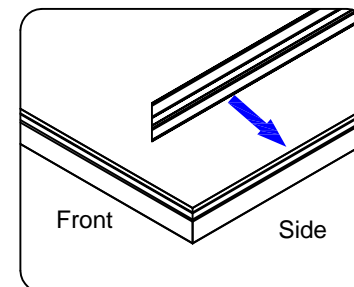
Step 5 Loosen both nuts enough to allow the nuts to slide into the groove in the side panel track. (Note: Do not remove nuts from bolt). Ensure joint closes fully and tighten, silicone inside of joint.



fix return end of track



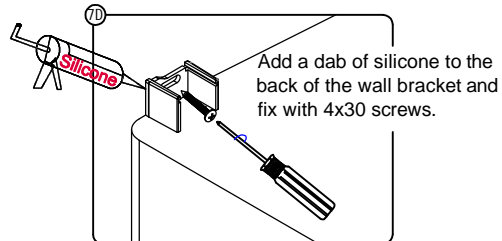
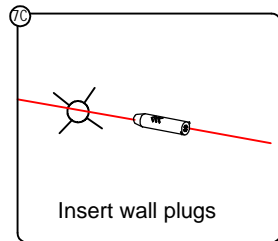
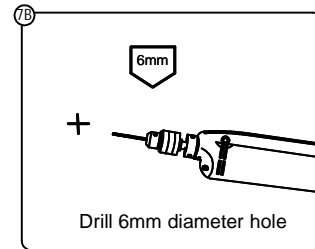
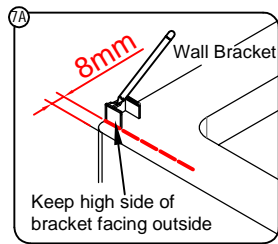
Step 6 Insert the glass fixing profile into the side section of the bottom track .



6

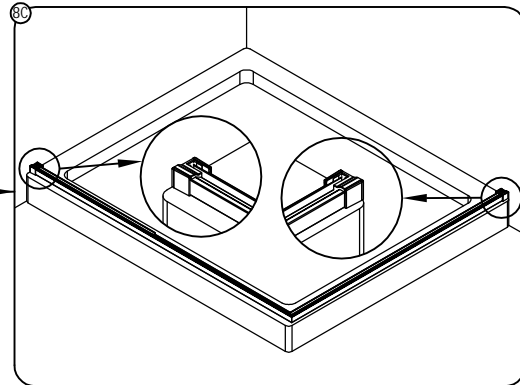
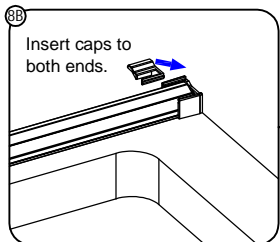
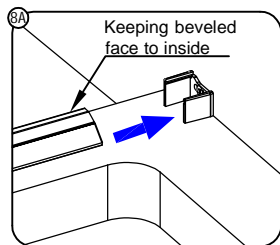
### Step 7

Position brackets 8mm inwards from edge of tray Mark wall through slot. Drill 6mm diameter hole centre of slot and fix bracket both sides.



### Step 8

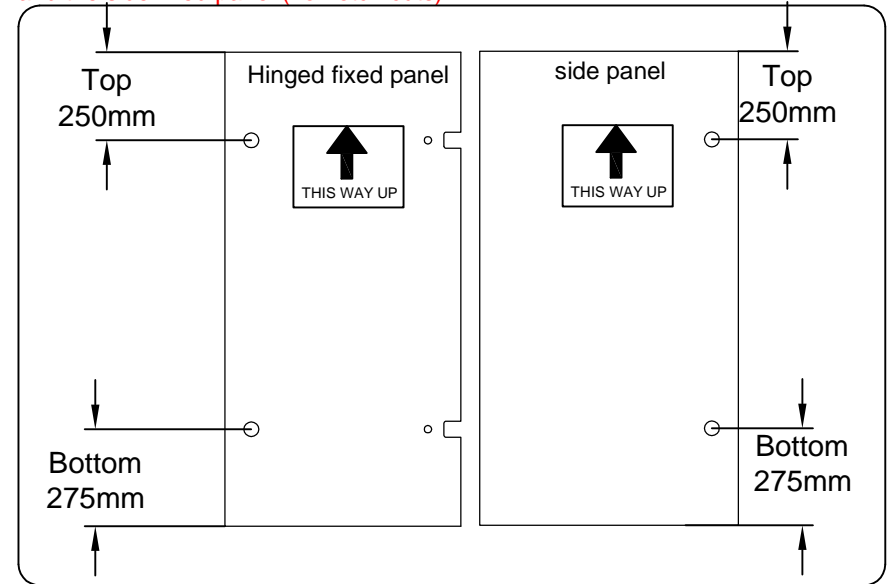
Fit the assembled track into the end brackets and slide on cover caps.



### Step 9

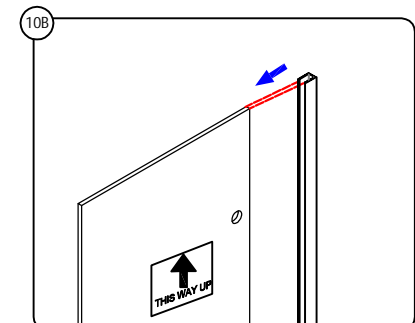
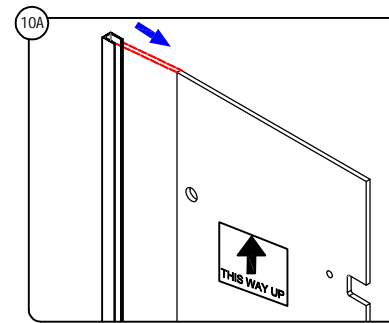
Before assembling the brackets make sure panels are orientated the correct way. Measure hole centres from top and bottom to determine correct orientation of panel.

Note the differences between the hinged fixed panel (has notch cuts for hinge) and the side fixed panel (no notch cuts)



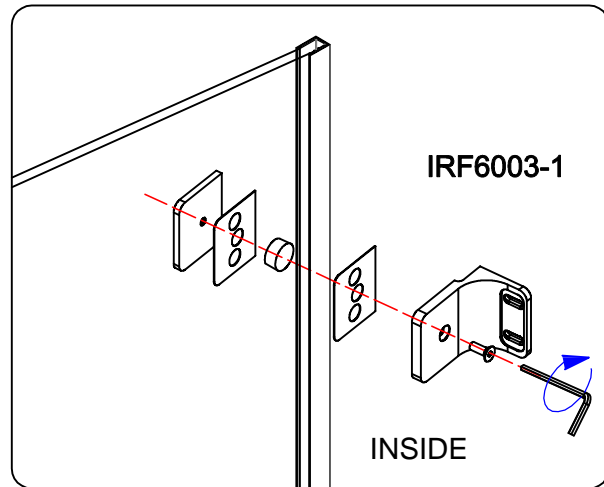
### Step 10

Push on wall profile completely ensuring end is flush with the top of the glass panel.



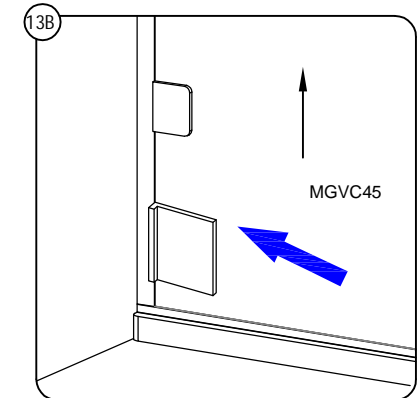
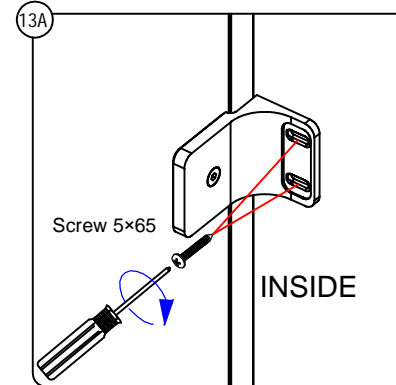
### Step 11

Fix wall brackets loosely ensuring fixing holes are to the inside of glass panel.



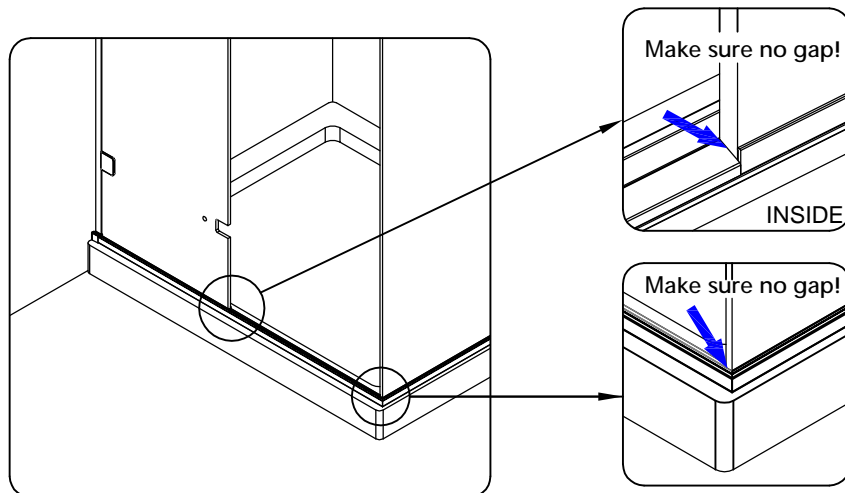
### Step 13

Fix wall brackets to the pre drilled holes. Do not fully tighten, leave enough slack for adjustment. Secure top bracket first.  
Note: Hold glass panel and gently tap profile back tight against wall using MDF tool provided, working from bottom to top.



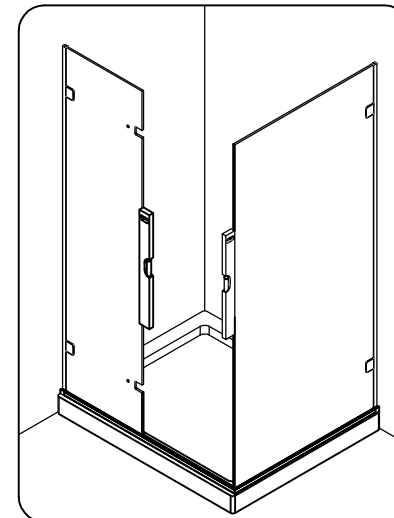
### Step 12

Take fixed wall panel and side panel and insert into bottom track keeping outside edge of glass panel tight to end of angled profile in bottom track. Make sure there is no gap between the edge of the glass and the angled profile.



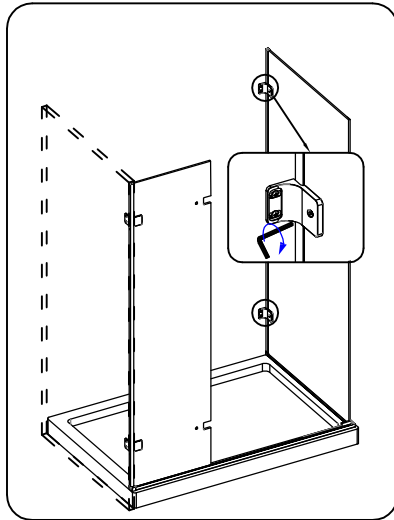
### Step 14

Check panel for level and fully tighten screws to wall.



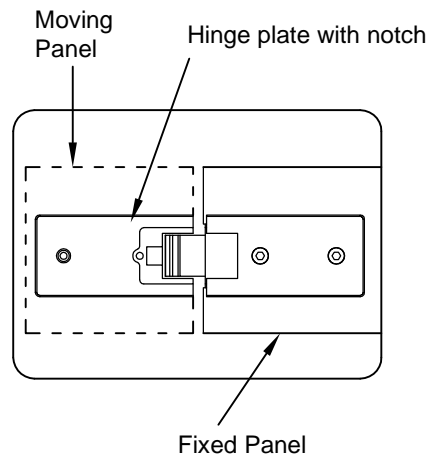
### Step 15

Using 4mm hex key fully tighten bracket to glass.



### Step 16

Fit hinges to the door ensuring that the part of the hinge which has a cut out is fitted to the door.



11

### Step 17

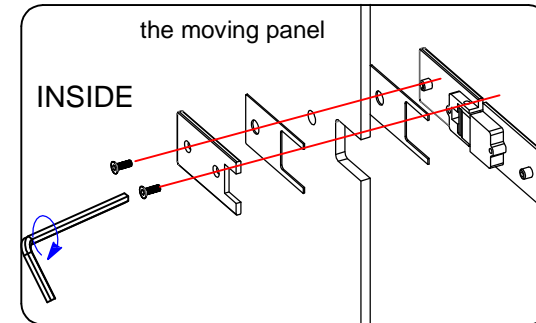
The side of the hinge that has the fixing bolts must be to the inside of the moving panel. Hinge should be fitted in centre of cutout for maximum adjustment later. Fully tighten bolts.

**Step 18** Tip : Use MDF tool for squaring hinges

**Step 19** Remove back plates from hinges on fixed panel side.

### Step 20

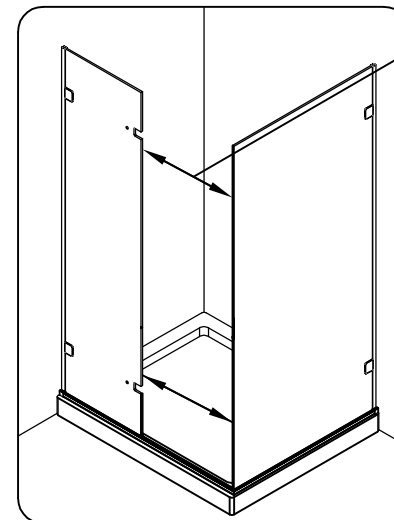
The moving panel is fitted from inside the enclosure so make sure all hinge parts and tools are placed inside before the door is lifted into place.



### Step 21

Check door opening at bottom and make sure that the distance at the top is the same.

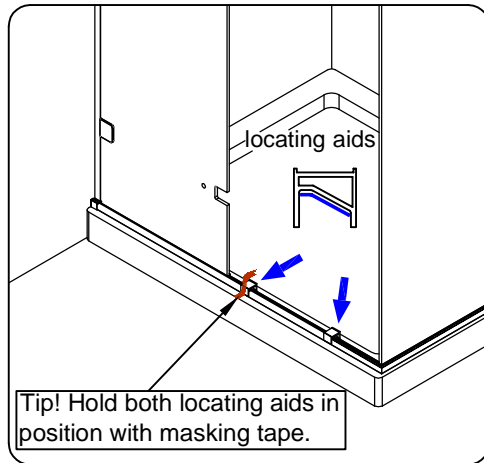
Gap top and bottom should be width of moving panel +12mm



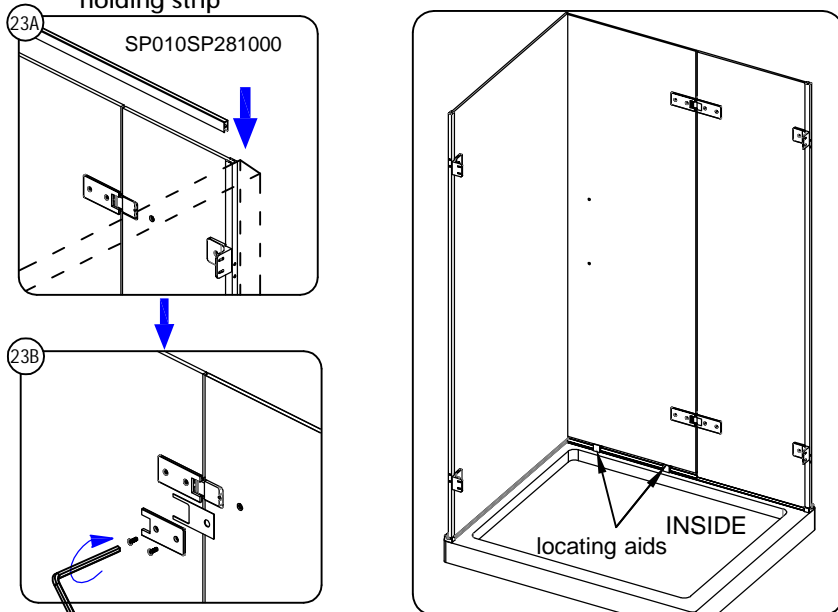
12

### Step 22

Place locating aids and spacers on threshold, one each side of opening.



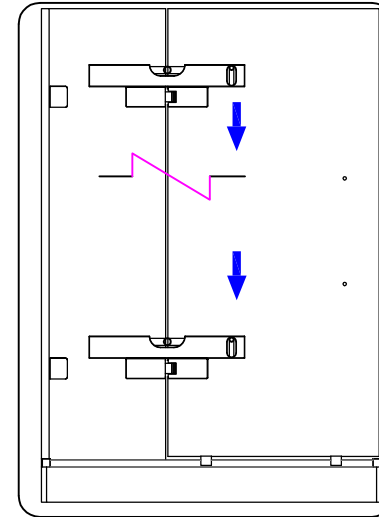
**Step 23** Lift door onto locating aids, and retain door into position using top holding strip



13

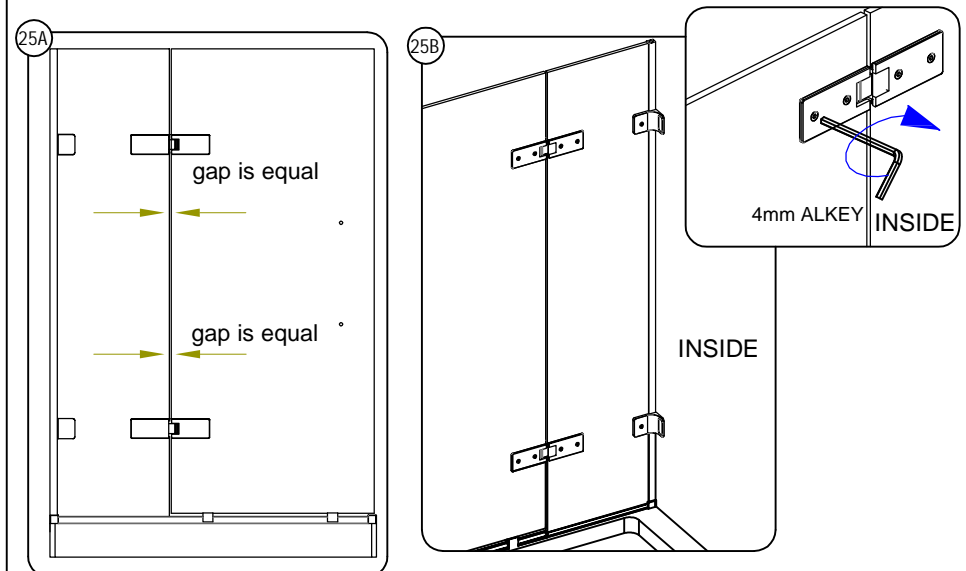
### Step 24

Loosely fix back plate to hinges ensuring washers are in position and hinges are level.



### Step 25

Ensure gap between both glass panels is equal top and bottom, then fully tighten hinge bolts.

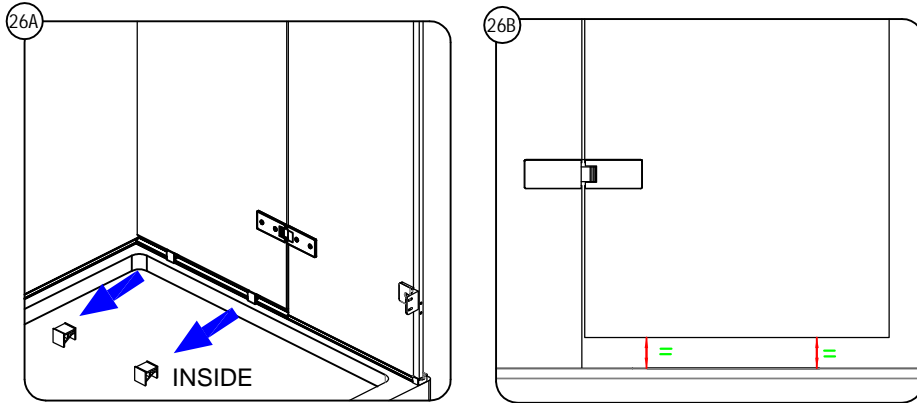


14



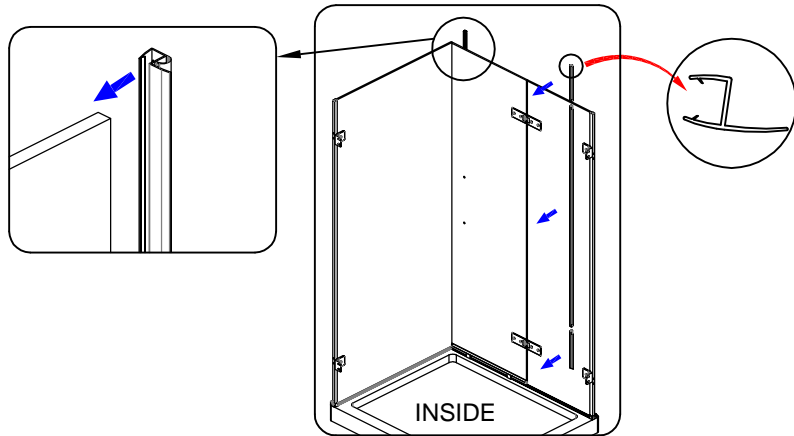
### Step 26

Remove top holding strip. To remove door positioning aids open door outwards. When positioning aids have been removed check gap beneath door is even.



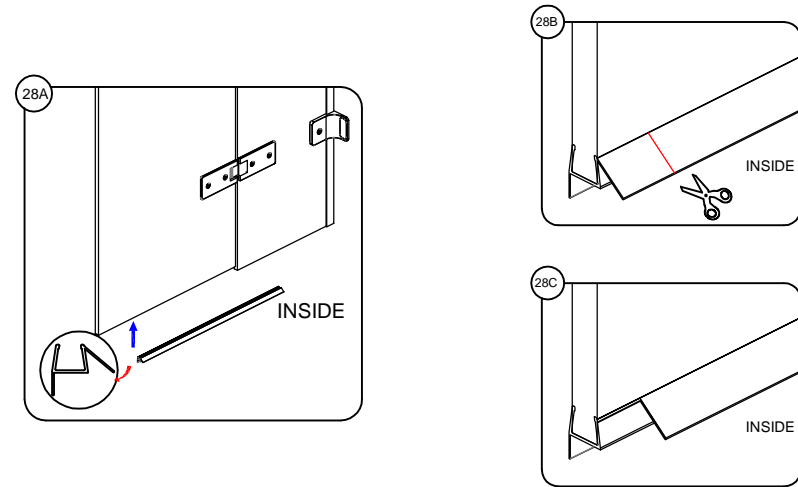
### Step 27

Left and right hand seal kits are provided, determine handing and use appropriate seal kit. Left hand model shown below. Push on longest seal between hinges onto back edge of moving panel. Take shortest seal and fit to top keeping notch to hinge. Repeat with longer bottom seal. Fit closing seal to edge of side panel.

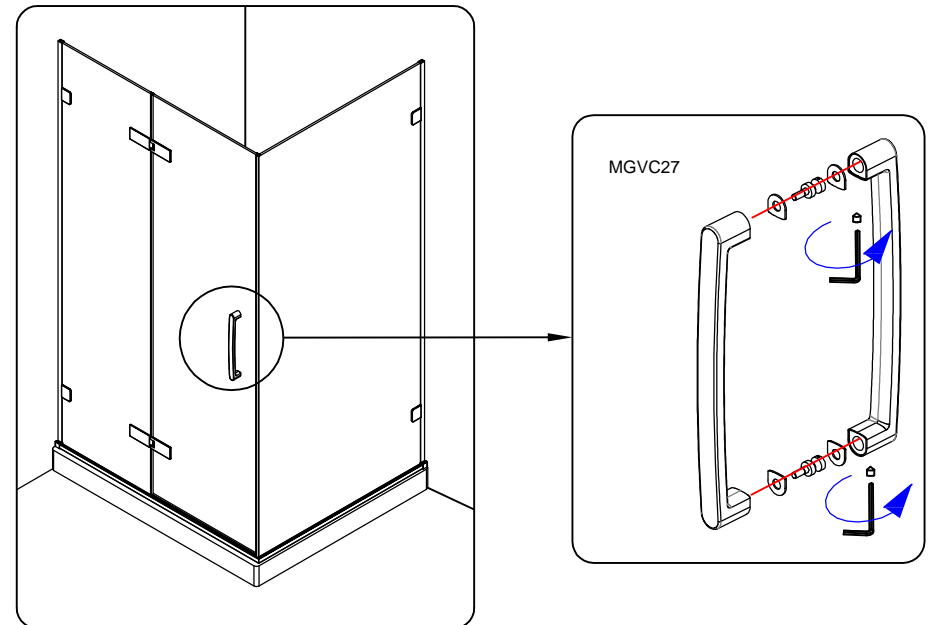


### Step 28

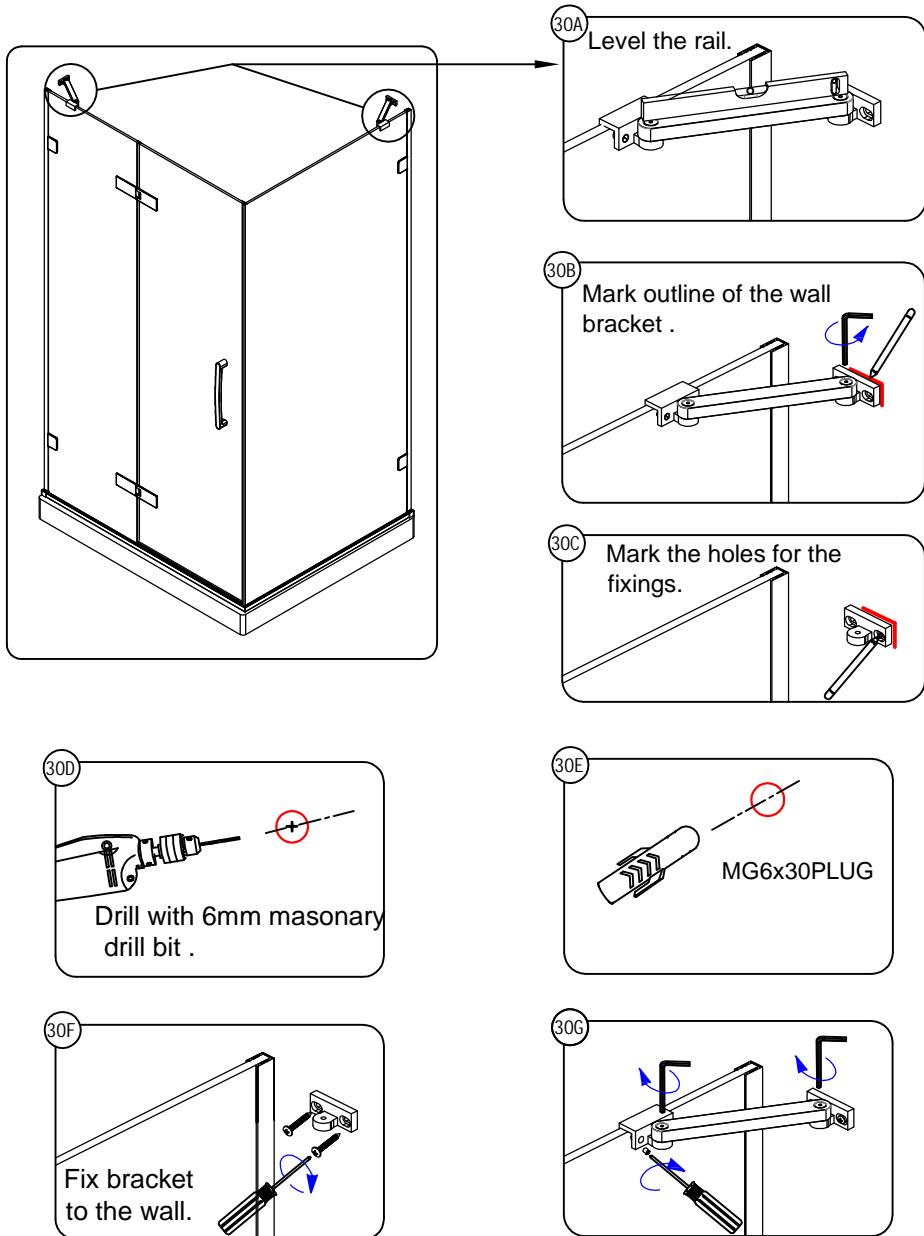
Fit bottom door seal keeping longest fin to inside. Notch fin where it meets the closing seal to ensure door closes fully.



### Step 29 Fit the handle to the door.

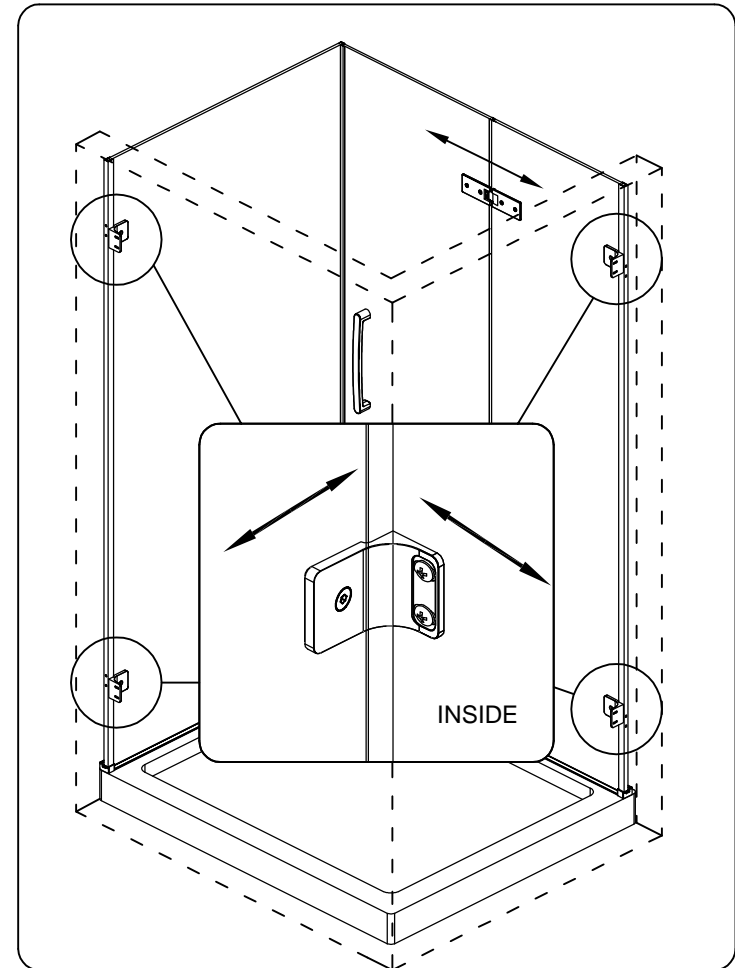


### Step 30 Fix the top rails.



### Step 31 Adjusting fixed and hinged panels

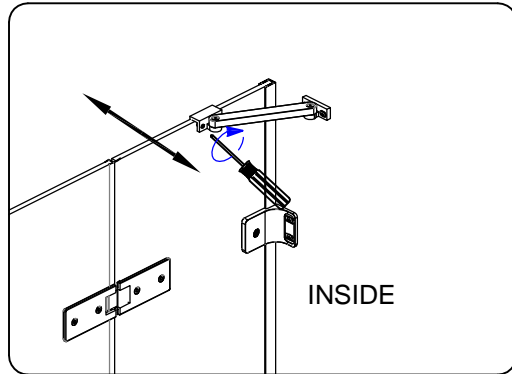
If after fitting doors and fixed panels and you still need adjustment to align doors etc ,you can achieve this by loosening the screws fixing the bracket to the wall and the bolts clamping the hinge to the glass.  
Adjust the panels until the desired fit is achieved.Fully tighten all fixings.



### Step 32 Additional adjustment

Where an angled bracing bar is fitted additional adjustment can be made by:

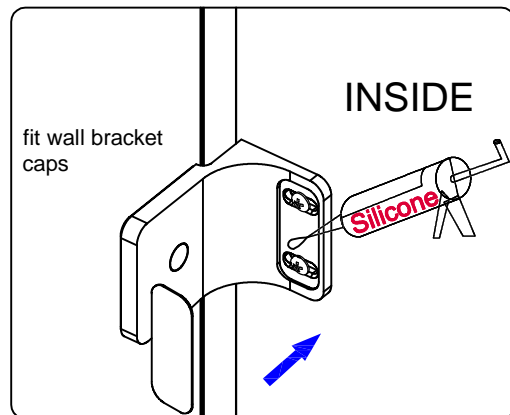
- 1) Loosen the 2 screws clamping the glass.
- 2) Move the glass panel in the direction required(see arrow).
- 3) Tighten the 2 screws.



### Step 33 Fitting cover caps.

Fitting cover caps. Peel off protective strip to adhesive tape to back of cap and firmly press in position .

Tip : We recommend that you place a dab of silicone to the back of the cover caps at each end of the tape.



### Step 34 Sealing your enclosure.

**Make sure all surfaces are thoroughly cleaned and dry before applying sealant.**

Only seal the outside of the enclosure(red line). Do not seal the inside.

Seal vertically along the wall, along the outside edge of the bottom profile and any joints in the profile, including where the bottom track meets the end brackets.

