

Инструкция по эксплуатации

Газонокосилка электрическая Skil F0150715RT

Цены на товар на сайте:

http://skil.vseinstrumenti.ru/sadovaya_tehnika/gazonokosilki/elektricheskie/nesamohodnye/skil_elektricheskaya_gazonokosilka_1400vt_f0150715rt/

Отзывы и обсуждения товара на сайте:

http://skil.vseinstrumenti.ru/sadovaya_tehnika/gazonokosilki/elektricheskie/nesamohodnye/skil_elektricheskaya_gazonokosilka_1400vt_f0150715rt/#tab-Responses

SKIL

LAWN MOWER 0715 (F0150715..)




GB	ORIGINAL INSTRUCTIONS	7	UA	ОРИГІНАЛЬНА ІНСТРУКЦІЯ З ЕКСПЛУАТАЦІЇ	69
F	NOTICE ORIGINALE	10	GR	ΠΡΟΤΟΤΥΠΟ ΟΔΗΓΙΩΝ ΧΡΗΣΗΣ	73
D	ORIGINALBETRIEBSANLEITUNG	14	RO	INSTRUCȚIUNI DE FOLOSIRE ORIGINALE	78
NL	ORIGINELE GEBRUIKSAANWIJZING	18	BG	ОРИГИНАЛНО РЪКОВОДСТВО ЗА ЕКСПЛОАТАЦИЯ	82
S	BRUKSANVISNING I ORIGINAL	22	SK	PŮVODNÝ NÁVOD NA POUŽITIE	86
DK	ORIGINAL BRUGSANVISNING	26	HR	ORIGINALNE UPUTE ZA RAD	90
N	ORIGINAL BRUKSANVISNING	30	SRB	ORIGINALNO UPUTSTVO ZA RAD	94
FIN	ALKUPERÄISET OHJEET	33	SLO	IZVIRNA NAVODILA	97
E	MANUAL ORIGINAL	37	EST	ALGUPÄRANE KASUTUSJUHEND	101
P	MANUAL ORIGINAL	41	LV	ORIĢINĀLĀ LIETOŠANAS PAMĀCĪBA	105
I	ISTRUZIONI ORIGINALI	45	LT	ORIGINALI INSTRUKCIJA	109
H	EREDETI HASZNÁLATI UTASÍTÁS	49	MK	ИЗВОРНО УПАТСТВО ЗА РАБОТА	112
CZ	PŮVODNÍM NÁVODEM K POUŽÍVÁNÍ	53	AL	UDHËZIMET ORIGJINALE	117
TR	ORIJİNAL İŞLETME TALİMATI	57	AR	دليل الاستعمال	126
PL	INSTRUKCJA ORYGINALNA	60	FA	راهنمای اصلی	124
RU	ПОДЛИННИК РУКОВОДСТВА ПО ЭКСПЛУАТАЦИИ	64			

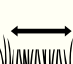



1


0715

1400
Watt


12,3 kg
EPTA 01/2003

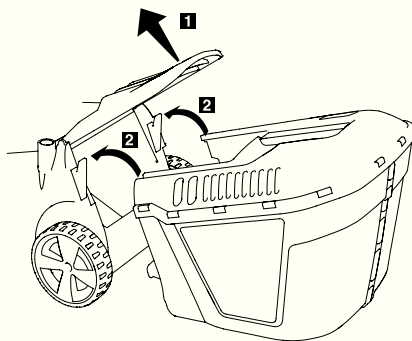
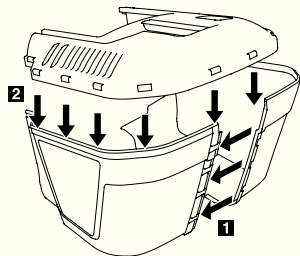
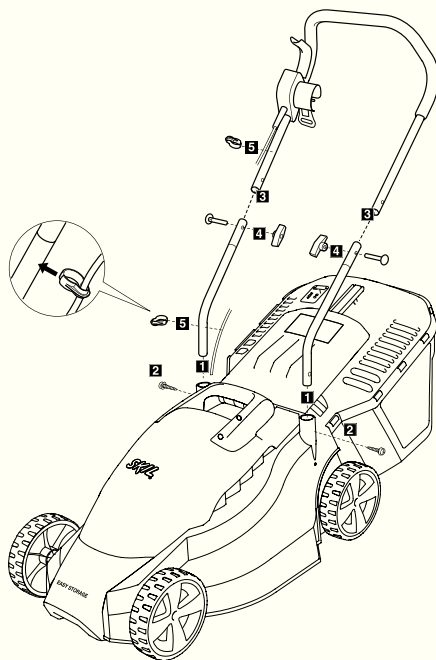

38 cm


28-48-
68 mm

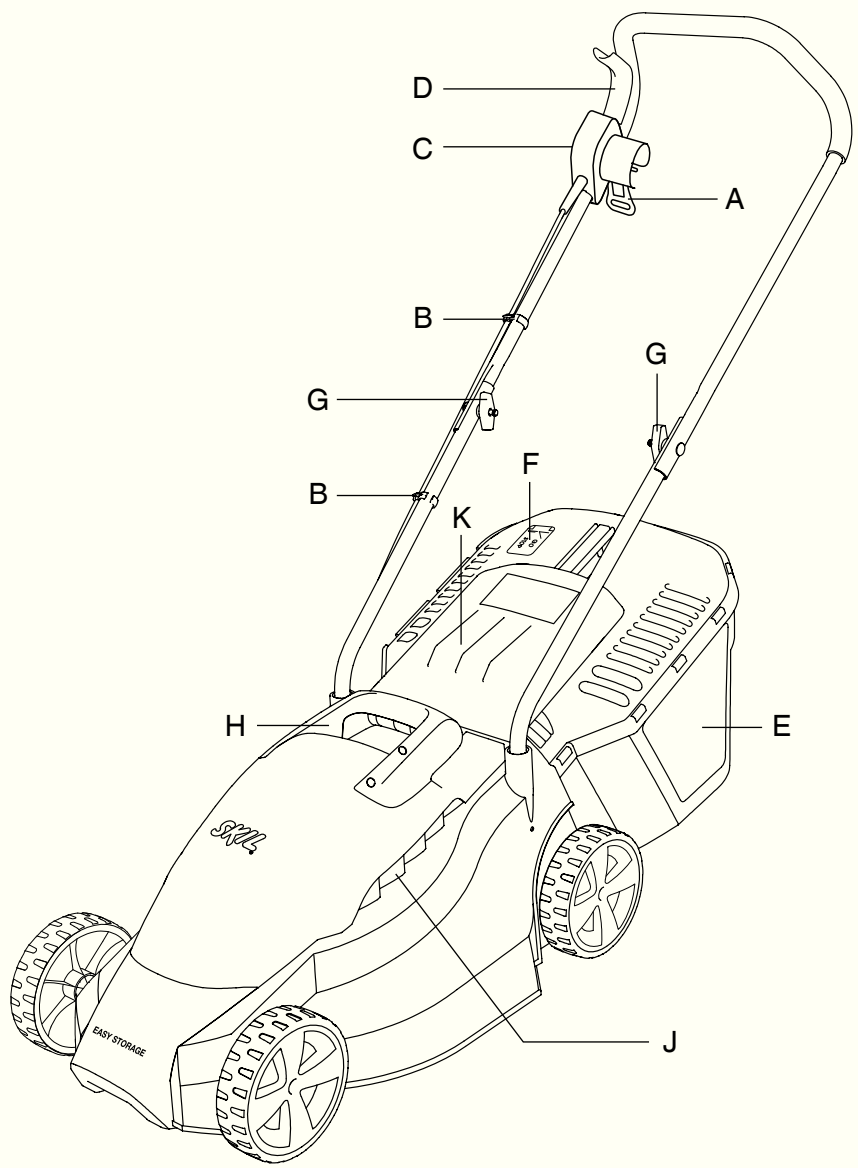

35 L

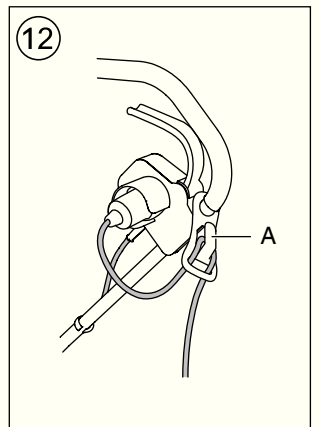
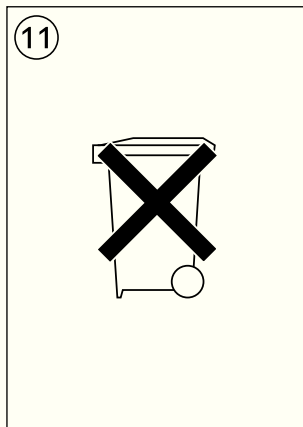
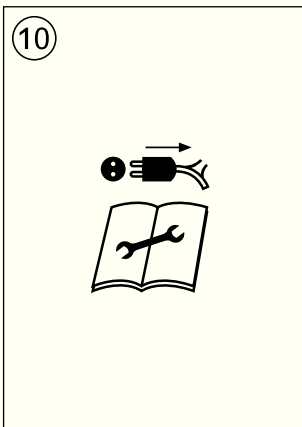
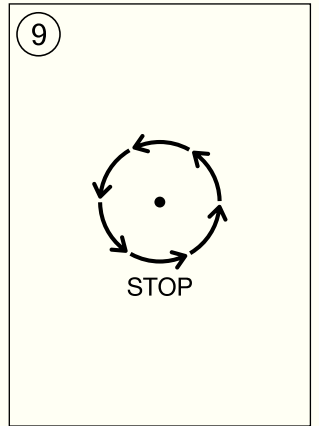
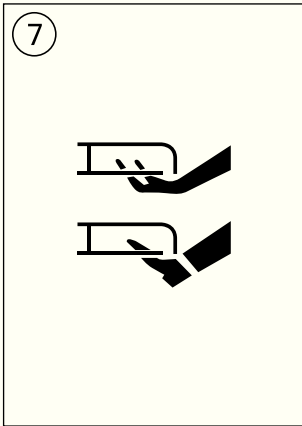
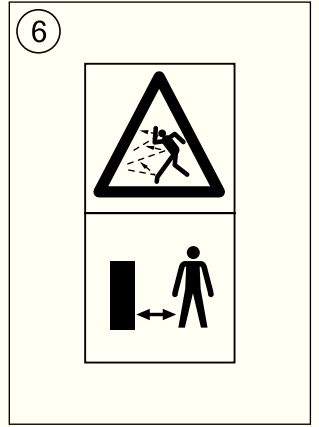
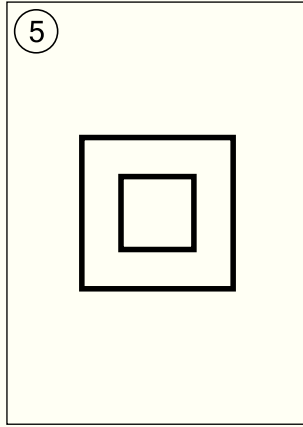
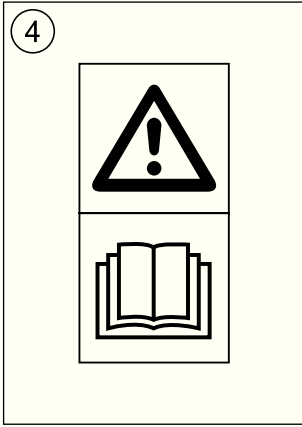
220
-
240
V~
50-60 Hz

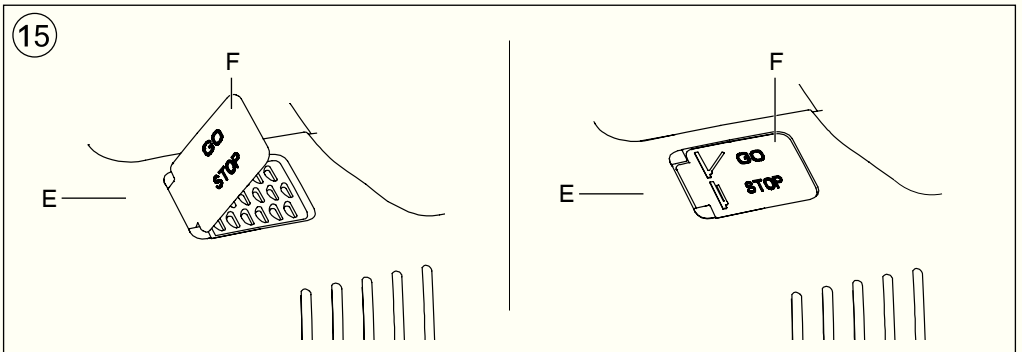
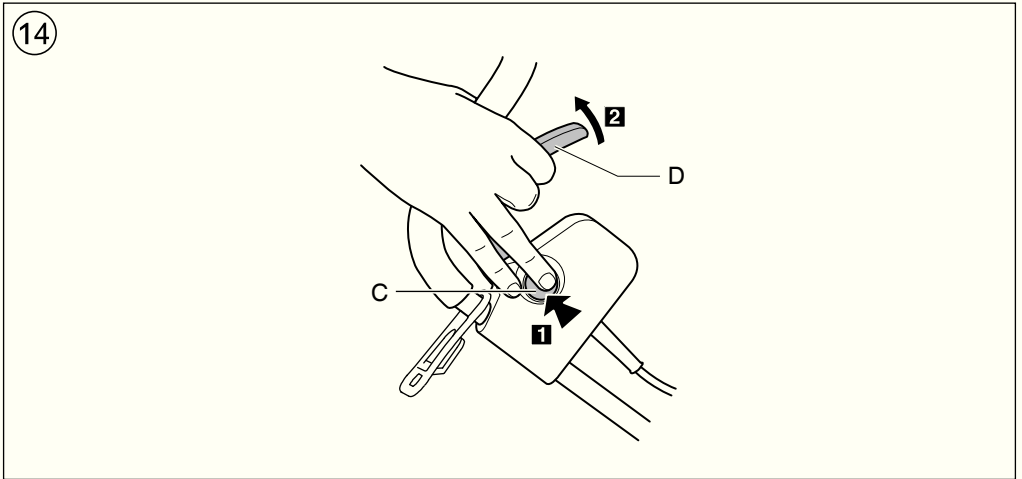
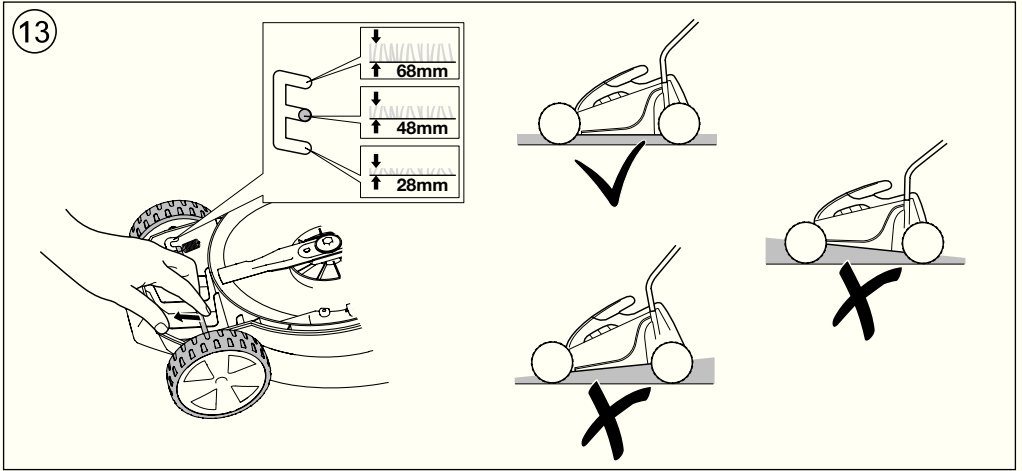
2



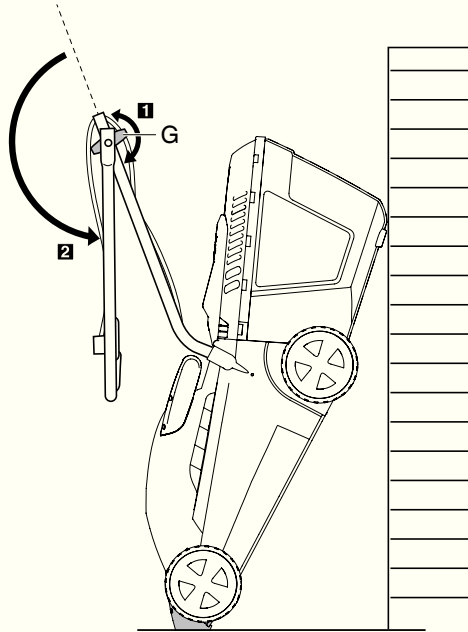
3



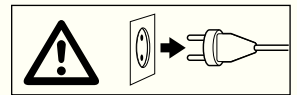
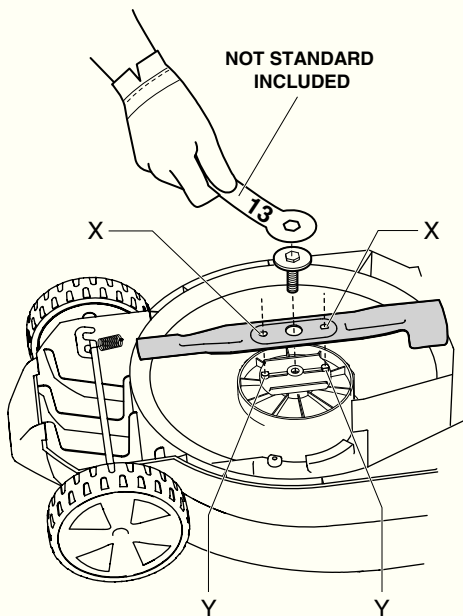




16



17



INTRODUCTION

- This tool is intended for domestic lawn mowing only
- This tool is not intended for professional use
- Check whether the packaging contains all parts as illustrated in drawing ②
- When parts are missing or damaged, please contact your dealer
- Assembly instructions ②
 - the sequence of the numbers appearing in the drawing corresponds with the sequence of the steps to be followed for assembling the lawn mower
- ! **firmly tighten all screws and nuts**
- Read this instruction manual carefully before use and save it for future reference ④

TECHNICAL DATA ①

TOOL ELEMENTS ③

- A Cord restraint
- B Cord clip
- C Safety switch
- D Trigger switch
- E Grass box
- F "Grass box full" indicator
- G Securing wing nut
- H Transport handle
- J Ventilation slots
- K Rear guard

SAFETY

GENERAL SAFETY INSTRUCTIONS

⚠ WARNING! Read all safety warnings and all instructions. Failure to follow the warnings and instructions may result in electric shock, fire and/or serious injury. **Save all warnings and instructions for future reference.** The term "power tool" in the warnings refers to your mains-operated (corded) power tool or battery-operated (cordless) power tool.

1) WORK AREA SAFETY

- a) **Keep work area clean and well lit.** Cluttered or dark areas invite accidents.
- b) **Do not operate power tools in explosive atmospheres, such as in the presence of flammable liquids, gases or dust.** Power tools create sparks which may ignite the dust or fumes.
- c) **Keep children and bystanders away while operating a power tool.** Distractions can cause you to lose control.

2) ELECTRICAL SAFETY

- a) **Power tool plugs must match the outlet. Never modify the plug in any way. Do not use any adapter plugs with earthed (grounded) power tools.** Unmodified plugs and matching outlets will reduce risk of electric shock.

- b) **Avoid body contact with earthed or grounded surfaces such as pipes, radiators, ranges and refrigerators.** There is an increased risk of electric shock if your body is earthed or grounded.
- c) **Do not expose power tools to rain or wet conditions.** Water entering a power tool will increase the risk of electric shock.
- d) **Do not abuse the cord. Never use the cord for carrying, pulling or unplugging the power tool. Keep cord away from heat, oil, sharp edges or moving parts.** Damaged or entangled cords increase the risk of electric shock.
- e) **When operating a power tool outdoors, use an extension cord suitable for outdoor use.** Use of a cord suitable for outdoor use reduces the risk of electric shock.
- f) **If operating a power tool in a damp location is unavoidable, use an earth leakage circuit breaker.** Use of an earth leakage circuit breaker reduces the risk of electric shock.

3) PERSONAL SAFETY

- a) **Stay alert, watch what you are doing and use common sense when operating a power tool. Do not use a power tool while you are tired or under the influence of drugs, alcohol or medication.** A moment of inattention while operating power tools may result in serious personal injury.
- b) **Use personal protective equipment. Always wear eye protection.** Protective equipment such as dust mask, non-skid safety shoes, hard hat, or hearing protection used for appropriate conditions will reduce personal injuries.
- c) **Prevent unintentional starting. Ensure the switch is in the off-position before connecting to power source and/or battery pack, picking up or carrying the tool.** Carrying power tools with your finger on the switch or energising power tools that have the switch on invites accidents.
- d) **Remove any adjusting key or wrench before turning the power tool on.** A wrench or a key left attached to a rotating part of the power tool may result in personal injury.
- e) **Do not overreach. Keep proper footing and balance at all times.** This enables better control of the power tool in unexpected situations.
- f) **Dress properly. Do not wear loose clothing or jewelry. Keep your hair, clothing and gloves away from moving parts.** Loose clothes, jewelry or long hair can be caught in moving parts.
- g) **If devices are provided for the connection of dust extraction and collection facilities, ensure these are connected and properly used.** Use of dust collection can reduce dust-related hazards.

4) POWER TOOL USE AND CARE

- a) **Do not force the power tool. Use the correct power tool for your application.** The correct power tool will do the job better and safer at the rate for which it was designed.
- b) **Do not use the power tool if the switch does not turn it on and off.** Any power tool that cannot be controlled with the switch is dangerous and must be repaired.

- c) **Disconnect the plug from the power source and/or the battery pack from the power tool before making any adjustments, changing accessories, or storing power tools.** Such preventive safety measures reduce the risk of starting the power tool accidentally.
- d) **Store idle power tools out of the reach of children and do not allow persons unfamiliar with the power tool or these instructions to operate the power tool.** Power tools are dangerous in the hands of untrained users.
- e) **Maintain power tools. Check for misalignment or binding of moving parts, breakage of parts and any other condition that may affect the power tool's operation. If damaged, have the power tool repaired before use.** Many accidents are caused by poorly maintained power tools.
- f) **Keep cutting tools sharp and clean.** Properly maintained cutting tools with sharp cutting edges are less likely to bind and are easier to control.
- g) **Use the power tool, accessories and tool bits etc., in accordance with these instructions, taking into account the working conditions and the work to be performed.** Use of the power tool for operations different from those intended could result in a hazardous situation.
- 5) **SERVICE**
 - a) **Have your power tool serviced by a qualified repair person using only identical replacement parts.** This will ensure that the safety of the power tool is maintained.

SPECIFIC SAFETY INSTRUCTIONS FOR LAWN MOWERS

EXPLANATION OF SYMBOLS ON TOOL

- ④ Read the instruction manual before use
- ⑤ Double insulation (no earth wire required)
- ⑥ **Pay attention to the risk of injury caused by flying debris** (keep bystanders a safe distance away from work area)
- ⑦ Beware of sharp blades
- ⑧ Keep the (extension) cord away from the rotating cutting blade
- ⑨ The cutting blade continues to rotate for a short time after tool is switched off (**do not touch rotating blade**)
- ⑩ Switch off and disconnect plug before cleaning/maintenance or if (extension) cord is damaged or entangled
- ⑪ Do not dispose of the tool together with household waste material

GENERAL

- Avoid operating the mower on wet lawns
- The user is responsible for accidents or hazards occurring to other people or their property
- Never operate the tool with a defective rear guard or defective grass box
- When operating the tool without grass box, ensure that the rear guard is in closed position (**risk of injury caused by rotating cutting blade**)
- Always disconnect plug from power source
 - whenever leaving the tool unattended
 - before clearing jammed material

- before checking, cleaning or working on the tool
- after striking a foreign object
- whenever the tool starts vibrating abnormally

ELECTRICAL SAFETY

- Inspect the cord periodically and have it replaced by a qualified person, if damaged
- When operating the tool use a residual current device (RCD) with a triggering current of 30 mA maximum
- Use completely unrolled and safe extension cords with a capacity of 16 Amps (U.K. 13 Amps)
- Only use an extension cord of types H05VV-F or H05RN-F which is intended for outdoor use and equipped with a watertight plug and coupling-socket
- Do not run over, crush or pull the (extension) cord
- Protect the (extension) cord from heat, oil and sharp edges
- Inspect the extension cord periodically and replace it, if damaged (**inadequate extension cords can be dangerous**)

PERSONAL SAFETY

- Do not operate the tool when barefoot or wearing open sandals; always wear sturdy shoes and long trousers
- Be familiar with the controls and the proper use of the tool
- Never mow in the direct vicinity of persons (especially children) and animals
- **Always keep hands and feet away from rotating parts**
- **Keep away from the discharge opening at all times**
- Switch on the motor according to instructions and with feet well away from the cutting blade
- **This tool is not intended for use by persons (including children) with reduced physical, sensory or mental capabilities, or lack of experience and knowledge, unless they have been given supervision or instruction concerning use of the tool by a person responsible for their safety** (local regulations can restrict the age of the operator)
- Ensure that children do not play with the tool
- Operate the mower at a walking pace only (do not run)
- Keep proper footing on slopes and do not mow extremely steep slopes
- Be extremely careful when moving backwards or pulling the mower towards you

BEFORE USE

- Check the functioning of the tool before each use and, in case of a defect, have it repaired immediately by a qualified person; never open the tool yourself
- Thoroughly inspect the area where the mower is to be used and remove all hard objects which could be caught up and thrown by the cutting mechanism
- Always ensure that the cutting mechanism is in good working order (have worn or damaged parts replaced)
- Keep all nuts, bolts and screws tight to be sure that the mower is in safe working condition

DURING USE

- Only mow with sufficient daylight or with appropriate artificial lighting
- Do not tilt the tool when starting or switching on the motor, except if the tool has to be tilted for starting in long grass (in this case, do not tilt it more than absolutely necessary and tilt only the part which is away from the operator); always ensure that both hands are in the operating position before returning the tool to the ground

- Ensure that the cutting blade is at a complete standstill when tilting the tool for crossing surfaces other than grass and when transporting it to and from the area to be mowed
- Mow across the face of slopes (never up and down)
- Be extremely careful when changing direction on slopes
- Never pick up or carry the lawn mower while the motor is running
- Always switch off tool and disconnect plug from power source if the power supply cord or the extension cord is cut, damaged or entangled (**do not touch the cord before disconnecting the plug**)
- Never use the tool when cord is damaged; have it replaced by a qualified person

USE

- Cord restraint ⑫
 - hook the loop in the extension cord over restraint A as illustrated
 - pull tight to secure the extension cord
- Adjusting cutting height (28-48-68 mm) ⑬
 - ! **disconnect plug from power source and ensure that the cutting blade has stopped rotating**
 - turn the mower upside down
 - locate the front wheel axle as well as the rear wheel axle into the desired cutting height position (28, 48 or 68 mm)
 - ! **ensure that the four wheels are fixed in the same cutting height position**
- On/off safety switch ⑭
 - Prevents the tool from being switched on accidentally
 - switch on tool by first pressing safety switch C and then pulling trigger switch D
 - switch off tool by releasing trigger switch D
 - ! **after switching off the tool the blade continues to rotate for a few seconds**
- Operating instructions
 - hold the mower with both hands
 - place the mower on the edge of the lawn and mow in a forward direction
 - reverse at the end of each turn, slightly overlapping the previous cut strip
 - only use the mower on dry grass
 - keep the mower away from solid objects and plants
 - for mowing long grass, first set the cutting mechanism to the maximum cutting height, then to a lower cutting height
 - ! **adjust your walking pace when mowing long grass**
- "Grass box full" indicator ⑮
 - empty grass box E as soon as flap F lowers by itself, indicating that the grass box is full
 - for optimal grass collecting performance regularly clean the holes underneath flap F with a hand brush
- Storage ⑯
 - for saving substantial storage space fold the tool handle (using wing nut G) and store the tool as illustrated; **empty grass box first**
 - ! **ensure that the (extension) cord is not trapped when folding/unfolding the tool handle (do not drop the handle)**
 - do not place other objects on top of the mower when stored
 - store the mower indoors in a dry place

MAINTENANCE / SERVICE

- This tool is not intended for professional use
- Always keep tool and cord clean (especially ventilation slots J ③)
- Clean the mower after each use with a hand brush and a soft cloth
 - ! **do not use water (especially no high-pressure sprays)**
 - remove compacted grass cuttings from the blade area with a wooden or plastic implement
- Regularly check the grass box for wear or damage
- Regularly check for worn or damaged blades and bolts and have them replaced in sets to preserve balance
- Replacing the cutting blade ⑰
 - ! **disconnect plug from power source and remove grass box E ③**
 - ! **wear protective gloves**
 - turn the mower upside down
 - remove/mount the cutting blade with a spanner 13 as illustrated
 - ! **only use replacement cutting blades of the correct type (SKIL spare part number 2610Z04069, marked YAT 474 552)**
 - thoroughly clean the shaft area and the underside of the tool before mounting the cutting blade
 - ! **while mounting the cutting blade ensure that two holes X perfectly match two noddges Y**
- If the tool should fail despite the care taken in manufacturing and testing procedures, repair should be carried out by an after-sales service centre for SKIL power tools
 - send the tool **undismantled** together with proof of purchase to your dealer or the nearest SKIL service station (addresses as well as the service diagram of the tool are listed on www.skil.com)

TROUBLESHOOTING

- The following listing shows problem symptoms, possible causes and corrective actions (if these do not identify and correct the problem, contact your dealer or service station)
 - ! **switch off the tool and disconnect the plug before investigating the problem**
- ★ Tool does not operate
 - no power supply -> check power supply (power cable, circuit breakers, fuses)
 - power supply socket faulty -> use another socket
 - extension cord damaged -> replace extension cord
 - grass too high -> increase cutting height and tilt tool
- ★ Tool operates intermittently
 - extension cord damaged -> replace extension cord
 - internal wiring defective -> contact dealer/service station
- ★ Tool leaves ragged finish or motor labours
 - cutting height cut too low -> increase cutting height
 - cutting blade blunt -> replace cutting blade
 - underside of tool badly clogged -> clean tool
 - cutting height not uniform -> set 4 wheels at same cutting height
- ★ Cutting blade not rotating
 - cutting blade obstructed -> clear obstruction
 - blade nut/bolt loose -> tighten blade nut/bolt
- ★ Tool vibrates abnormally
 - cutting blade damaged -> replace cutting blade
 - blade nut/bolt loose -> tighten blade nut/bolt

ENVIRONMENT

- **Do not dispose of electric tools, accessories and packaging together with household waste material** (only for EU countries)
 - in observance of European Directive 2002/96/EC on waste of electric and electronic equipment and its implementation in accordance with national law, electric tools that have reached the end of their life must be collected separately and returned to an environmentally compatible recycling facility
 - symbol (1) will remind you of this when the need for disposing occurs

CE DECLARATION OF CONFORMITY

- We declare under our sole responsibility that the product described under "Technical data" is in conformity with the following standards or standardization documents: EN 60335, EN 61000, EN 55014 in accordance with the provisions of the directives 2006/95/EC, 2004/108/EC, 2006/42/EC, 2000/14/EC, 2011/65/EU
- **Technical file at:** SKIL Europe BV (PT-SEU/ENG1), 4825 BD Breda, NL

Marijn van der Hoofden
Operations & Engineering

Olaf Dijkgraaf
Approvals Manager

SKIL Europe BV, 4825 BD Breda, NL
25.07.2013

CE12

NOISE/VIBRATION

- Measured in accordance with EN 60335 the sound pressure level of this tool is 73 dB(A) and the sound power level 93 dB(A) (standard deviation: 1.5 dB), and the vibration 2.5 m/s² (hand-arm method; uncertainty K = 1.5 m/s²)
 - Measured in accordance with 2000/14/EC (EN/ISO 3744) the guaranteed sound power level LWa is lower than 94 dB(A) (conformity assessment procedure according to Annex VI)
Notified body : KEMA, Arnhem, NL
Notified body identification number : 0344
 - The vibration emission level has been measured in accordance with a standardised test given in EN 60335; it may be used to compare one tool with another and as a preliminary assessment of exposure to vibration when using the tool for the applications mentioned
 - using the tool for different applications, or with different or poorly maintained accessories, may significantly **increase** the exposure level
 - the times when the tool is switched off or when it is running but not actually doing the job, may significantly **reduce** the exposure level
- ! protect yourself against the effects of vibration by maintaining the tool and its accessories, keeping your hands warm, and organizing your work patterns**

F

Tondeuse à gazon

0715

INTRODUCTION

- Cet outil est destiné uniquement à la tonte du gazon chez soi
 - Cet outil n'est conçu pour un usage professionnel
 - Vérifiez que le conditionnement contient toutes les pièces présentées dans le schéma (2)
 - Lorsque des pièces manquent ou sont endommagées, veuillez contacter votre distributeur
 - Instructions de montage (2)
 - la séquence des numéros apparaissant sur le schéma correspond à la séquence des étapes à suivre pour le montage de la tondeuse à gazon
- ! serrez fermement toutes les vis et les écrous**
- Lisez attentivement ce manuel d'instruction avant d'utiliser l'outil et conservez-le pour pouvoir vous y référer ultérieurement (4)

CARACTERISTIQUES TECHNIQUES (1)

ELEMENTS DE L'OUTIL (3)

- A Dispositif d'immobilisation du cordon d'alimentation
- B Clip du câble
- C Interrupteur de sécurité
- D Gâchette
- E Bac collecteur
- F Indicateur "Bac collecteur plein"
- G Ecrou papillon de fixation
- H Poignée de transport
- J Fentes de ventilation
- K Protection arrière

SECURITE

INSTRUCTIONS GENERALES DE SECURITE

⚠ ATTENTION! Lisez tous les avertissements de sécurité et toutes les instructions. Ne pas suivre les avertissements et instructions peut entraîner un choc électrique, un incendie et/ou de graves blessures sur les personnes. **Conservez tous les avertissements et toutes les instructions pour pouvoir s'y reporter ultérieurement.** La notion d'"outil électroportatif" dans les avertissements se rapporte à des outils électriques raccordés au secteur (avec câble de raccordement) et à des outils électriques à batterie (sans câble de raccordement).

1) SECURITE DE LA ZONE DE TRAVAIL

- a) **Maintenez l'endroit de travail propre et bien éclairé.** Un lieu de travail en désordre ou mal éclairé augmente le risque d'accidents.
- b) **N'utilisez pas l'appareil dans un environnement présentant des risques d'explosion et où se trouvent des liquides, des gaz ou poussières inflammables.** Les outils électroportatifs génèrent des étincelles risquant d'enflammer les poussières ou les vapeurs.
- c) **Tenez les enfants et autres personnes éloignés**

- durant l'utilisation de l'outil électroportatif. En cas d'inattention vous risquez de perdre le contrôle sur l'appareil.
- 2) SECURITE RELATIVE AU SYSTEME ELECTRIQUE**
- a) **La fiche de secteur de l'outil électroportatif doit être appropriée à la prise de courant. Ne modifiez en aucun cas la fiche. N'utilisez pas de fiches d'adaptateur avec des appareils avec mise à la terre.** Les fiches non modifiées et les prises de courant appropriées réduisent le risque de choc électrique.
- b) **Évitez le contact physique avec des surfaces mises à la terre telles que tuyaux, radiateurs, fours et réfrigérateurs.** Il y a un risque élevé de choc électrique au cas où votre corps serait relié à la terre.
- c) **N'exposez pas l'outil électroportatif à la pluie ou à l'humidité.** La pénétration d'eau dans un outil électroportatif augmente le risque d'un choc électrique.
- d) **N'utilisez pas le câble à d'autres fins que celles prévues, n'utilisez pas le câble pour porter l'appareil ou pour l'accrocher ou encore pour le débrancher de la prise de courant. Maintenez le câble éloigné des sources de chaleur, des parties grasses, des bords tranchants ou des parties de l'appareil en rotation.** Un câble endommagé ou torsadé augmente le risque d'un choc électrique.
- e) **Au cas où vous utiliseriez l'outil électroportatif à l'extérieur, utilisez une rallonge autorisée homologuée pour les applications extérieures.** L'utilisation d'une rallonge électrique homologuée pour les applications extérieures réduit le risque d'un choc électrique.
- f) **Si l'usage d'un outil dans un emplacement humide est inévitable, utilisez un disjoncteur de fuite à la terre.** L'utilisation d'un disjoncteur de fuite à la terre réduit le risque de choc électrique.
- 3) SECURITE DES PERSONNES**
- a) **Restez vigilant, surveillez ce que vous faites. Faites preuve de bon sens en utilisant l'outil électroportatif. N'utilisez pas l'appareil lorsque vous êtes fatigué ou après avoir consommé de l'alcool, des drogues ou avoir pris des médicaments.** Un moment d'inattention lors de l'utilisation de l'appareil peut entraîner de graves blessures sur les personnes.
- b) **Portez des équipements de protection. Portez toujours des lunettes de protection.** Le fait de porter des équipements de protection personnels tels que masque anti-poussières, chaussures de sécurité antidérapantes, casque de protection ou protection acoustique suivant le travail à effectuer, réduit le risque de blessures.
- c) **Évitez tout démarrage intempestif. S'assurez que l'interrupteur est en position arrêté avant de brancher l'outil au secteur et/ou au bloc de batteries, de le ramasser ou de le porter.** Porter les outils en ayant le doigt sur l'interrupteur ou brancher des outils dont l'interrupteur est en position marche est source d'accidents.
- d) **Enlevez tout outil de réglage ou toute clé avant de mettre l'appareil en fonctionnement.** Une clé ou un outil se trouvant sur une partie en rotation peut causer des blessures.
- e) **Ne surestimez pas vos capacités. Veillez à garder toujours une position stable et équilibrée.** Ceci vous permet de mieux contrôler l'appareil dans des situations inattendues.
- f) **Portez des vêtements appropriés. Ne portez pas de vêtements amples ni de bijoux. Maintenez cheveux, vêtements et gants éloignés des parties de l'appareil en rotation.** Des vêtements amples, des bijoux ou des cheveux longs peuvent être happés par des pièces en mouvement.
- g) **Si des dispositifs servant à aspirer ou à recueillir les poussières doivent être utilisés, vérifiez que ceux-ci soient effectivement raccordés et qu'ils sont correctement utilisés.** L'utilisation des collecteurs de poussière réduit les dangers dus aux poussières.
- 4) UTILISATION ET EMPLOI SOIGNEUX DE L'OUTIL ELECTROPORTATIF**
- a) **Ne surchargez pas l'appareil. Utilisez l'outil électroportatif approprié au travail à effectuer.** Avec l'outil électroportatif approprié, vous travaillerez mieux et avec plus de sécurité à la vitesse pour laquelle il est prévu.
- b) **N'utilisez pas un outil électroportatif dont l'interrupteur est défectueux.** Un outil électroportatif qui ne peut plus être mis en ou hors fonctionnement est dangereux et doit être réparé.
- c) **Débranchez la fiche de la source d'alimentation en courant et/ou le bloc de batteries de l'outil avant tout réglage, changement d'accessoires ou avant de ranger l'outil.** Cette mesure de précaution empêche une mise en fonctionnement par mégarde.
- d) **Gardez les outils électroportatifs non utilisés hors de portée des enfants. Ne permettez pas l'utilisation de l'appareil à des personnes qui ne se sont pas familiarisées avec celui-ci ou qui n'ont pas lu ces instructions.** Les outils électroportatifs sont dangereux lorsqu'ils sont utilisés par des personnes non initiées.
- e) **Prenez soin des outils électroportatifs. Vérifiez que les parties en mouvement fonctionnent correctement et qu'elles ne soient pas coincées, et contrôlez si des parties sont cassées ou endommagées de telle sorte que le bon fonctionnement de l'appareil s'en trouve entravé. Faites réparer les parties endommagées avant d'utiliser l'appareil.** De nombreux accidents sont dus à des outils électroportatifs mal entretenus.
- f) **Maintenez les outils de coupe aiguisés et propres.** Des outils soigneusement entretenus avec des bords tranchants bien aiguisés se coincent moins souvent et peuvent être guidés plus facilement.
- g) **Utilisez les outils électroportatifs, les accessoires, les outils à monter etc. conformément à ces instructions. Tenez compte également des conditions de travail et du travail à effectuer.** L'utilisation des outils électroportatifs à d'autres fins que celles prévues peut entraîner des situations dangereuses.
- 5) SERVICE**
- a) **Ne faites réparer votre outil électroportatif que par un personnel qualifié et seulement avec des pièces de rechange d'origine.** Ceci permet d'assurer la sécurité de l'appareil.

INSTRUCTIONS SPECIFIQUES DE SECURITE RELATIVES AUX TONDEUSES À GAZON

EXPLICATION DES SYMBOLES SUR L'OUTIL

- ④ Veuillez lire le mode d'emploi avant d'utiliser l'outil
- ⑤ Double-isolation (ne nécessite pas de mise à la terre)
- ⑥ **Soyez attentif au risque de blessures engendré par des particules qui volent en éclat** (tenez les badauds à bonne distance de la zone de travail)
- ⑦ Méfiez-vous des lames tranchantes
- ⑧ Maintenez le câble (de rallonge) à distance de la lame de coupe qui tourne
- ⑨ La lame de coupe continue à tourner un petit moment après mise à l'arrêt de l'outil (**ne touchez pas à la lame qui tourne**)
- ⑩ Arrêtez et débranchez la fiche avant tout nettoyage/ toute maintenance ou si le câble (la rallonge) est endommagé(e) ou entremêlé(e)
- ⑪ Ne jetez pas l'outil dans les ordures ménagères

GENERALITES

- Evitez de faire fonctionner la tondeuse si la pelouse est mouillée
- L'utilisateur est responsable des accidents ou dangers qu'encourent d'autres personnes ou leurs biens
- Ne faites jamais fonctionner l'outil avec une protection arrière endommagée ou un bac collecteur défectueux
- Lorsque vous faites fonctionner l'outil sans bac collecteur, veillez à ce que la protection arrière soit en position fermée (**risque de blessure causée par la lame de coupe qui tourne**)
- Débranchez toujours la fiche de l'alimentation
 - lorsque vous laissez l'outil sans surveillance
 - avant d'enlever des matières coincées
 - avant de vérifier, nettoyer ou travailler sur l'outil
 - après avoir heurté un corps étranger
 - chaque fois que l'outil commence à vibrer de façon anormale

SECURITE RELATIVE AU SYSTEME ELECTRIQUE

- Contrôlez régulièrement l'état du câble et faites-le remplacer par un technicien qualifié au besoin
- Lors de l'utilisation de l'outil dans des environnements humides, utilisez un interrupteur différentiel avec un courant de réaction de 30 mA maximum
- Utilisez un câble de prolongement complètement déroulé et de bonne qualité d'une capacité de 16 A
- Utilisez uniquement une rallonge spéciale de type H05VV-F ou H05RN-F pour l'extérieur et équipée d'une fiche et d'une prise de raccordement étanches
- N'écrasez pas, ne coinciez pas et ne tirez pas sur le câble/la rallonge
- Protégez le câble/la rallonge de la chaleur, de l'huile et des arêtes vives
- Vérifiez de temps en temps la rallonge et remplacez-la si elle est endommagée (**des allonges inappropriées peuvent être dangereuses**)

SECURITE DES PERSONNES

- Ne faites pas fonctionner l'outil si vous êtes pieds nus ou si vous portez des sandales ouvertes; portez toujours des chaussures robustes et de longs pantalons
- Familiarisez-vous avec les commandes et le bon fonctionnement de l'outil
- Ne tondez jamais à proximité immédiate de personnes (surtout d'enfants) et d'animaux
- **Gardez toujours les mains et les pieds à distance**

des pièces rotatives

- **Tenez-vous à tout moment à l'écart de l'ouverture d'évacuation**
- Allumez le moteur conformément aux instructions et en gardant les pieds éloignés de la lame de coupe
- **Cette machine ne doit pas être utilisé par des personnes (enfants compris) dont les capacités physiques, sensorielles et mentales sont réduites ou qui manquent d'expérience et de connaissance, sauf sous la surveillance ou les consignes d'utilisation d'une personne responsable de leur sécurité** (des réglementations locales peuvent limiter l'âge de l'utilisateur)
- Veillez à ce que les enfants ne jouent pas avec l'outil
- Utilisez uniquement la tondeuse en marchant (il ne faut pas courir)
- Conservez un bon équilibre sur les pentes et ne tondez pas les pentes très raides
- Soyez extrêmement prudent lorsque vous vous déplacez vers l'arrière ou tirez la tondeuse vers vous

AVANT L'USAGE

- Contrôlez le fonctionnement de l'outil avant chaque manipulation et, en cas d'anomalies, faites réparer immédiatement par une personne qualifiée; ne jamais ouvrez l'outil soi-même
- Inspectez soigneusement la zone où vous devrez utiliser la tondeuse et enlevez tous les objets qui pourraient être attrapés et rejetés par le mécanisme de coupe
- Veillez toujours à ce que le mécanisme de coupe soit en bon état de fonctionnement (remplacez les pièces usées ou endommagées)
- Veillez à ce que tous les écrous, boulons et vis soient bien serrés afin de garantir un fonctionnement sûr de la tondeuse

PENDANT L'USAGE

- Tondez uniquement lorsqu'il fait suffisamment clair ou qu'il y a suffisamment d'éclairage artificiel
- Ne penchez pas l'outil lorsque vous démarrez ou lorsque vous activez le moteur, sauf s'il doit être soulevé pour démarrer dans de l'herbe haute (dans ce cas, ne l'inclinez pas plus que nécessaire et soulevez uniquement la partie qui est éloignée de l'opérateur); veillez toujours à ce que vos deux mains soient en position d'utilisation avant de remettre l'outil sur le sol
- Veillez à ce que la lame de coupe soit tout à fait immobilisée lorsque vous soulevez l'outil pour traverser des surfaces autres que l'herbe et lorsque vous le déplacez de et vers la zone à tondre
- Tondez toujours perpendiculairement aux pentes (jamais de haut en bas ou de bas en haut)
- Soyez extrêmement prudent en changeant de direction sur des pentes
- Ne ramassez ni ne portez jamais la tondeuse à gazon lorsque le moteur tourne
- Eteignez toujours l'outil et débranchez la fiche de l'alimentation si le câble d'alimentation ou la rallonge est coupé, endommagé ou entremêlé (**ne touchez pas le câble avant de débrancher la fiche**)
- N'utilisez jamais d'outil avec un câble endommagé; faites-le remplacer par un technicien qualifié

UTILISATION

- Dispositif d'immobilisation du cordon d'alimentation ⑫
 - accrochez la boucle dans le dispositif d'immobilisation de la rallonge A comme indiqué

- tirez fort pour bien serrer la rallonge
- Réglage de la hauteur de coupe (28-48-68 mm) ⑬
! débranchez la fiche de la prise d'alimentation et veillez à ce que la lame de coupe arrête de tourner
- retournez la tondeuse
- placez l'axe de la roue avant ainsi que l'axe de la roue arrière dans la position de la hauteur de coupe souhaitée (28, 48 ou 68 mm)
- ! veillez à ce que les quatre roues soient fixées à la même hauteur de coupe**
- Interrupteur marche/arrêt de sécurité ⑭
Empêche l'outil de se mettre en marche accidentellement
- mettez en marche l'outil en appuyant sur l'interrupteur de sécurité C puis en tirant la gâchette D
- arrêtez l'outil en relâchant la gâchette D
- ! après avoir coupé l'outil, la lame continue à tourner durant quelques secondes**
- Instructions d'utilisation
- tenez la tondeuse à deux mains
- placez la tondeuse au bord de la pelouse et tondez en vous dirigeant vers l'avant
- faites demi-tour au bout de chaque bande en recouvrant légèrement un peu de la bande précédente
- utilisez uniquement la tondeuse sur de l'herbe sèche
- éloignez la tondeuse des objets et des plantes durs
- si vous devez tondre de l'herbe haute, réglez d'abord le mécanisme de coupe à la hauteur de coupe maximale et ensuite, à une hauteur de coupe moins élevée
- ! réglez votre pas lorsque vous tondez de l'herbe haute**
- Indicateur "Bac collecteur plein" ⑮
- videz le bac collecteur E dès que le volet F s'abaisse de lui-même, indiquant que le bac collecteur est plein
- pour réaliser un excellent ramassage de l'herbe, nettoyez régulièrement les trous sous le volet F avec une brosse à main
- Rangement ⑯
- pour gagner beaucoup de place de rangement, pliez le manche de l'outil (à l'aide de l'écrou papillonG) et rangez l'outil comme indiqué; **videz d'abord le bac collecteur**
- ! veillez à ce que le câble (rallonge) ne soit pas coincé lors du pliage/dépliage du manche de l'outil (ne lâchez pas le manche)**
- ne placez pas d'autres objets sur la tondeuse lorsqu'elle est rangée
- entreposez la tondeuse dans un endroit sec

ENTRETIEN / SERVICE APRES-VENTE

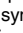
- Cet outil n'est pas conçu pour un usage professionnel
- Gardez toujours votre outil et le câble propres (spécialement les aérations J ③)
- Nettoyez la tondeuse après chaque usage avec une brosse à main et un chiffon doux
- ! n'utilisez pas d'eau (surtout pas de pulvérisateur haute pression)**
- enlevez l'herbe agglomérée de la zone des lames avec un outil en bois ou en plastique
- Vérifiez régulièrement si le bac collecteur est usé ou endommagé

- Vérifiez régulièrement les lames afin de voir si elles sont usées ou endommagées, ainsi que les boulons et remplacez-les en jeux complets, pour garder l'équilibre
- Remplacement de la lame de coupe ⑰
! débranchez la fiche de la prise et enlevez le bac collecteur E ③
- ! portez des gants de protection**
- retournez la tondeuse
- enlevez/montez la lame de coupe en utilisant une clé 13 comme illustré
- ! utilisez uniquement des lames de remplacement du type approprié (numéro de la pièce de rechange SKIL 2610Z04069, marquée YAT 474 552)**
- nettoyez à fond la partie de l'arbre et le dessous de l'outil avant de monter la lame de coupe
- ! en montant la lame de coupe, veillez à ce que deux trous X correspondent parfaitement à deux fentes Y**
- Si, malgré tous les soins apportés à la fabrication et au contrôle de l'outil, celui-ci devait avoir un défaut, la réparation ne doit être confiée qu'à une station de service après-vente agréée pour outillage SKIL
- retournez l'outil **non démonté** avec votre preuve d'achat au revendeur ou au centre de service après-vente SKIL le plus proche (les adresses ainsi que la vue éclatée de l'outil figurent sur www.skil.com)

DÉPANNAGE

- Le listing suivant indique les symptômes de problèmes, les causes éventuelles et les actions correctives (si celles-ci n'identifient pas et ne corrigent pas le problème, contactez votre fournisseur ou la station-service)
- ! arrêtez l'outil et débranchez la fiche avant d'examiner le problème**
- ★ L'outil ne fonctionne pas
- pas d'alimentation -> vérifiez l'alimentation (câble d'alimentation, disjoncteurs, fusibles)
- prise de l'alimentation en faute -> utilisez une autre prise
- rallonge endommagée -> remplacez la rallonge
- herbe trop haute -> augmentez la hauteur de coupe et penchez l'outil
- ★ L'outil fonctionne par intermittence
- rallonge endommagée -> remplacez la rallonge
- câble interne défectueux -> contactez le fournisseur/la station-service
- ★ L'outil laisse une finition mal faite ou le moteur peine
- hauteur de coupe mise trop bas -> augmentez la hauteur de coupe
- lame de coupe émoussée -> remplacez la lame
- dessous de l'outil fort obstrué -> nettoyez l'outil
- hauteur de coupe non uniforme -> jeu de 4 roues à la même hauteur de coupe
- ★ La lame de coupe ne tourne pas
- lame de coupe obstruée -> dégagez ce qui obstrue
- écrou/boulon de la lame desserré -> serrez l'écrou/le boulon de la lame
- ★ L'outil vibre de manière anormale
- lame de coupe endommagée -> remplacez la lame de coupe
- écrou/boulon de la lame desserré -> serrez l'écrou/le boulon de la lame

ENVIRONNEMENT

- **Ne jetez pas les outils électriques, les accessoires et l'emballage dans les ordures ménagères** (pour les pays européens uniquement)
 - conformément à la directive européenne 2002/96/EG relative aux déchets d'équipements électriques ou électroniques, et à sa transposition dans la législation nationale, les outils électriques usés doivent être collectés séparément et faire l'objet d'un recyclage respectueux de l'environnement
 - le symbole  vous le rappellera au moment de la mise au rebut de l'outil

DÉCLARATION DE CONFORMITÉ CE

- Nous déclarons sous notre propre responsabilité que le produit décrit sous "Caractéristiques techniques" est en conformité avec les normes ou documents normatifs suivants: EN 60335, EN 61000, EN 55014 conformément aux termes des réglementations en vigueur 2006/95/CE, 2004/108/CE, 2006/42/CE, 2000/14/CE, 2011/65/UE
- **Dossier technique auprès de:** SKIL Europe BV (PT-SEU/ENG1), 4825 BD Breda, NL

Marijn van der Hoofden
Operations & Engineering

Olaf Dijkgraaf
Approvals Manager



SKIL Europe BV, 4825 BD Breda, NL
25.07.2013

CE12

BRUIT/VIBRATION




- Mesuré selon EN 60335 le niveau de la pression sonore de cet outil est 73 dB(A) et le niveau de la puissance sonore 93 dB(A) (déviation standard: 1,5 dB), et la vibration 2,5 m/s² (méthode main-bras; incertitude K = 1,5 m/s²)
 - Mesuré selon 2000/14/EC (EN/ISO 3744) le niveau de la puissance sonore garanti LWA est inférieur à 94 dB(A) (procédures d'évaluation de la conformité conformément à l'annexe VI)
Organisme notifié : KEMA, Arnhem, NL
Numéro d'identification de l'organisme notifié : 0344
 - Le niveau de vibrations émises a été mesuré conformément à l'essai normalisé de la norme EN 60335; il peut être utilisé pour comparer plusieurs outils et pour réaliser une évaluation préliminaire de l'exposition aux vibrations lors de l'utilisation de l'outil pour les applications mentionnées
 - l'utilisation de l'outil dans d'autres applications, ou avec des accessoires différents ou mal entretenus, peut considérablement **augmenter** le niveau d'exposition
 - la mise hors tension de l'outil et sa non-utilisation pendant qu'il est allumé peuvent considérablement **réduire** le niveau d'exposition
- ! protégez-vous contre les effets des vibrations par un entretien correct de l'outil et de ses accessoires, en gardant vos mains chaudes et en structurant vos schémas de travail**

D

Rasenmäher

0715

EINLEITUNG

- Dieses Werkzeug ist nur zum Rasenmähen für den Hausgebrauch bestimmt
 - Dieses Werkzeug eignet sich nicht für den professionellen Einsatz
 - Sicherstellen, dass die Packung alle in der Zeichnung  abgebildeten Teile enthält
 - Wenn Teile fehlen oder beschädigt sind, wenden Sie sich an Ihren Händler
 - Montageanleitung 
 - die Reihenfolge der Zahlen, die auf der Zeichnung angegeben sind, entspricht der Reihenfolge der Schritte, die beim Zusammenbauen des Rasenmähers befolgt werden müssen
- ! ziehen Sie alle Schrauben und Muttern fest an**
- Bitte diese Bedienungsanleitung sorgfältig durchlesen und aufbewahren 

TECHNISCHE DATEN


- Wir erklären in alleiniger Verantwortung, daß das unter "Technische Daten" beschriebene Produkt mit den folgenden Normen oder normativen Dokumenten übereinstimmt: EN 60335, EN 61000, EN 55014 gemäß den Bestimmungen der Richtlinien 2006/95/EG, 2004/108/EG, 2006/42/EG, 2000/14/EG, 2011/65/EU

WERKZEUGKOMPONENTEN

- A Kabelhalter
- B Kabelklemme
- C Sicherheitsschalter
- D Auslöseschalter
- E Auffangbehälter
- F Anzeige "Auffangbehälter voll"
- G Feststell-Flügelmutter
- H Transportgriff
- J Lüftungsschlitze
- K Hintere Abdeckung

SICHERHEIT

ALLGEMEINE SICHERHEITSHINWEISE

 **ACHTUNG! Lesen Sie alle Sicherheitshinweise und Anweisungen.** Versäumnisse bei der Einhaltung der Sicherheitshinweise und Anweisungen können elektrischen Schlag, Brand und/oder schwere Verletzungen verursachen. **Bewahren Sie alle Sicherheitshinweise und Anweisungen für die Zukunft auf.** Der in den Sicherheitshinweisen verwendete Begriff "Elektrowerkzeug" bezieht sich auf netzbetriebene Elektrowerkzeuge (mit Netzkabel) und auf akkubetriebene Elektrowerkzeuge (ohne Netzkabel).

1) ARBEITSPLATZSICHERHEIT

- a) **Halten Sie Ihren Arbeitsbereich sauber und gut beleuchtet.** Unordnung oder unbeleuchtete Arbeitsbereiche können zu Unfällen führen.

- b) **Arbeiten Sie mit dem Gerät nicht in explosionsgefährdeter Umgebung, in der sich brennbare Flüssigkeiten, Gase oder Stäube befinden.** Elektrowerkzeuge erzeugen Funken, die den Staub oder die Dämpfe entzünden können.
- c) **Halten Sie Kinder und andere Personen während der Benutzung des Elektrowerkzeugs fern.** Bei Ablenkung können Sie die Kontrolle über das Gerät verlieren.
- 2) ELEKTRISCHE SICHERHEIT**
- a) **Der Anschlussstecker des Gerätes muss in die Steckdose passen. Der Stecker darf in keiner Weise verändert werden. Verwenden Sie keine Adapterstecker gemeinsam mit Schutzgeerdeten Geräten.** Unveränderte Stecker und passende Steckdosen verringern das Risiko eines elektrischen Schlages.
- b) **Vermeiden Sie Körperkontakt mit geerdeten Oberflächen, wie von Rohren, Heizungen, Herden und Kühlschränken.** Es besteht ein erhöhtes Risiko durch elektrischen Schlag, wenn Ihr Körper geerdet ist.
- c) **Halten Sie das Gerät von Regen oder Nässe fern.** Das Eindringen von Wasser in ein Elektrogerät erhöht das Risiko eines elektrischen Schlages.
- d) **Zweckfremden Sie das Kabel nicht, um das Gerät zu tragen, aufzuhängen oder um den Stecker aus der Steckdose zu ziehen. Halten Sie das Kabel fern von Hitze, Öl, scharfen Kanten oder sich bewegenden Geräteteilen.** Beschädigte oder verwickelte Kabel erhöhen das Risiko eines elektrischen Schlages.
- e) **Wenn Sie mit einem Elektrowerkzeug im Freien arbeiten, verwenden Sie nur Verlängerungskabel, die auch für den Außenbereich zugelassen sind.** Die Anwendung eines für den Außenbereich geeigneten Verlängerungskabels verringert das Risiko eines elektrischen Schlages.
- f) **Wenn der Betrieb des Elektrowerkzeuges in feuchter Umgebung nicht vermeidbar ist, verwenden Sie einen Fehlerstromschutzschalter.** Der Einsatz eines Fehlerstromschutzschalters vermindert das Risiko eines elektrischen Schlages.
- 3) SICHERHEIT VON PERSONEN**
- a) **Seien Sie aufmerksam, achten Sie darauf, was Sie tun, und gehen Sie mit Vernunft an die Arbeit mit einem Elektrowerkzeug. Benutzen Sie das Gerät nicht, wenn Sie müde sind oder unter dem Einfluss von Drogen, Alkohol oder Medikamenten stehen.** Ein Moment der Unachtsamkeit beim Gebrauch des Gerätes kann zu ernsthaften Verletzungen führen.
- b) **Tragen Sie persönliche Schutzausrüstung und immer eine Schutzbrille.** Das Tragen persönlicher Schutzausrüstung, wie Staubmaske, rutschfeste Sicherheitsschuhe, Schutzhelm oder Gehörschutz, je nach Art und Einsatz des Elektrowerkzeuges, verringert das Risiko von Verletzungen.
- c) **Vermeiden Sie eine unbeabsichtigte Inbetriebnahme. Vergewissern Sie sich, dass das Elektrowerkzeug ausgeschaltet ist, bevor Sie es an die Stromversorgung und/oder den Akku anschließen, es aufnehmen oder tragen.** Wenn Sie beim Tragen des Elektrowerkzeuges den Finger am
- Schalter haben oder das Gerät eingeschaltet an die Stromversorgung anschließen, kann dies zu Unfällen führen.
- d) **Entfernen Sie Einstellwerkzeuge oder Schraubenschlüssel, bevor Sie das Gerät einschalten.** Ein Werkzeug oder Schlüssel, der sich in einem drehenden Geräteteil befindet, kann zu Verletzungen führen.
- e) **Überschätzen Sie sich nicht. Sorgen Sie für einen sicheren Stand und halten Sie jederzeit das Gleichgewicht.** Dadurch können Sie das Gerät in unerwarteten Situationen besser kontrollieren.
- f) **Tragen Sie geeignete Kleidung. Tragen Sie keine weite Kleidung oder Schmuck. Halten Sie Haare, Kleidung und Handschuhe fern von sich bewegenden Teilen.** Lockere Kleidung, Schmuck oder lange Haare können von sich bewegenden Teilen erfasst werden.
- g) **Wenn Staubabsaug- und -auffangeinrichtungen montiert werden können, vergewissern Sie sich, dass diese angeschlossen sind und richtig verwendet werden.** Verwendung einer Staubabsaugung verringert Gefährdungen durch Staub.
- 4) SORGFÄLTIGER UMGANG UND GEBRAUCH VON ELEKTROWERKZEUGEN**
- a) **Überlasten Sie das Gerät nicht. Verwenden Sie für Ihre Arbeit das dafür bestimmte Elektrowerkzeug.** Mit dem passenden Elektrowerkzeug arbeiten Sie besser und sicherer im angegebenen Leistungsbereich.
- b) **Benutzen Sie kein Elektrowerkzeug, dessen Schalter defekt ist.** Ein Elektrowerkzeug, das sich nicht mehr ein- oder ausschalten lässt, ist gefährlich und muss repariert werden.
- c) **Ziehen Sie den Stecker aus der Steckdose und/oder entfernen Sie den Akku, bevor Sie Geräteeinstellungen vornehmen, Zubehörteile wechseln oder das Gerät weglegen.** Diese Vorsichtsmaßnahme verhindert den unbeabsichtigten Start des Geräts.
- d) **Bewahren Sie unbenutzte Elektrowerkzeuge außerhalb der Reichweite von Kindern auf. Lassen Sie Personen das Gerät nicht benutzen, die mit diesem nicht vertraut sind oder diese Anweisungen nicht gelesen haben.** Elektrowerkzeuge sind gefährlich, wenn Sie von unerfahrenen Personen benutzt werden.
- e) **Pflegen Sie das Gerät mit Sorgfalt. Kontrollieren Sie, ob bewegliche Geräteteile einwandfrei funktionieren und nicht klemmen, ob Teile gebrochen oder so beschädigt sind, dass die Funktion des Gerätes beeinträchtigt ist. Lassen Sie beschädigte Teile vor dem Einsatz des Geräts reparieren.** Viele Unfälle haben ihre Ursache in schlecht gewarteten Elektrowerkzeugen.
- f) **Halten Sie Schneidwerkzeuge scharf und sauber.** Sorgfältig gepflegte Schneidwerkzeuge mit scharfen Schneidkanten verklemmen sich weniger und sind leichter zu führen.
- g) **Verwenden Sie Elektrowerkzeug, Zubehör, Einsatzwerkzeuge usw. entsprechend diesen Anweisungen. Berücksichtigen Sie dabei die Arbeitsbedingungen und die auszuführende**

Tätigkeit. Der Gebrauch von Elektrowerkzeugen für andere als die vorgesehenen Anwendungen kann zu gefährlichen Situationen führen.

5) SERVICE

- a) **Lassen Sie Ihr Gerät nur von qualifiziertem Fachpersonal und nur mit Original-Ersatzteilen reparieren.** Damit wird sichergestellt, dass die Sicherheit des Geräts erhalten bleibt.

SPEZIFISCHE SICHERHEITSANWEISUNGEN FÜR RASENMÄHER

ERKLÄRUNG DER SYMBOLE AUF DEM WERKZEUG

- ④ Die Bedienungsanleitung vor dem Gebrauch lesen
- ⑤ Doppelte Isolierung (kein Erdleiter erforderlich)
- ⑥ **Auf das Risiko von Verletzungen durch fliegende Schmutzpartikeln achten** (Sicherheitsabstand zu Umstehenden halten)
- ⑦ Achtung vor scharfen Messern
- ⑧ Das (Verlängerungs-)Kabel von dem umlaufenden Rasenmähermesser fernhalten
- ⑨ Nach dem Ausschalten des Werkzeugs dreht sich das Messer noch einige Sekunden weiter (**Drehendes Messer nicht berühren**)
- ⑩ Werkzeug abschalten und Stecker ziehen vor dem Reinigen/der Wartung oder wenn das (Verlängerungs-)Kabel beschädigt oder verheddert ist
- ⑪ Das Werkzeug nicht in den Hausmüll werfen

ALLGEMEINES

- Den Rasenmäher nicht für nassen Rasen benutzen
- Der Benutzer ist für entstehende Unfälle mit Dritten oder auftretende Gefahren für deren Eigentum verantwortlich
- Das Werkzeug niemals mit defekter hinterer Abdeckung oder kaputtem Auffangbehälter benutzen
- Bei der Benutzung des Werkzeugs ohne Auffangbehälter sicherstellen, dass die hintere Abdeckung geschlossen ist (**Verletzungsgefahr durch drehende Messer**)
- Stets den Stecker aus der Netzsteckdose ziehen
 - wenn das Werkzeug unbeaufsichtigt ist
 - vor dem Entfernen von feststehendem Material
 - vor dem Inspizieren und Reinigen des Werkzeugs oder vor Arbeiten an dem Werkzeug
 - nach dem Anschlagen an einen Gegenstand
 - wenn das Werkzeug beginnt ungewöhnlich zu vibrieren

ELEKTRISCHE SICHERHEIT

- Das Kabel regelmäßig kontrollieren und ein beschädigtes Kabel von einem anerkannten Elektrofachmann ersetzen lassen
- Bei der Verwendung des Werkzeugs in feuchten Umgebungen einen Fehlerstrom- (FI) Schutzschalter mit einem Auslösestrom von max. 30 mA verwenden
- Bei Benutzung von Verlängerungskabeln ist darauf zu achten, daß das Kabel vollständig abgerollt ist und eine Kapazität von 16 A hat
- Nur ein Verlängerungskabel des Typs H05VV-F oder H05RN-F benutzen, das für die Anwendung im Freien vorgesehen und mit wasserfesten Steckern und Kupplungen versehen ist
- Nicht auf das (Verlängerungs-) Kabel treten, darüber fahren, es knicken oder daran ziehen
- Das (Verlängerungs-) Kabel vor Hitze, Öl und scharfen Kanten schützen

- Das Verlängerungskabel regelmäßig inspizieren und bei Beschädigung austauschen (**unzulängliche Kabel können gefährlich sein**)

SICHERHEIT VON PERSONEN

- Das Werkzeug nicht barfuß oder mit offenen Sandalen verwenden; stets feste Schuhe und lange Hosen tragen
- Machen Sie sich mit den Bedienelementen und der richtigen Verwendung vertraut
- Niemals mähen, wenn sich Personen (insbesondere Kinder) und Tiere in der unmittelbaren Nähe aufhalten
- **Hände und Füße immer von den sich drehenden Teilen fernhalten**
- **Immer von der Austrittsöffnung fernhalten**
- Den Motor gemäß der Anleitung einschalten; die Füße dabei weit von dem Messer fernhalten
- **Dieses Werkzeug ist nicht dafür bestimmt, von Personen (einschließlich Kinder) mit eingeschränkten physischen, sensorischen oder geistigen Fähigkeiten, oder mangelnder Erfahrung und Wissen, benutzt zu werden; es sei denn, sie werden durch eine für ihre Sicherheit zuständige Person beaufsichtigt oder erhielten von ihr Anweisungen, wie das Werkzeug zu benutzen ist** (Lokal können Vorschriften bezüglich des Alters des Benutzers gelten)
- Stellen Sie sicher, dass Kinder nicht mit dem Werkzeug spielen
- Den Rasenmäher nur im Gehen verwenden (niemals rennen)
- Auf schrägen Flächen auf einen sicheren Tritt achten und keine besonders steilen Abhänge mähen
- Besondere Vorsicht walten lassen, wenn Sie rückwärts gehen oder den Rasenmäher zu sich heranziehen

VOR DER ANWENDUNG

- Die Funktion des Werkzeuges vor jeder Anwendung prüfen und es bei einem Defekt sofort von einer qualifizierten Person reparieren lassen; das Werkzeug niemals selbst öffnen
- Die zu mähende Rasenfläche gründlich inspizieren und alle harten Objekte entfernen, die vom Schneidmechanismus erfasst und dann weggeschleudert werden könnten
- Immer sicherstellen, dass der Schneidmechanismus in einwandfreiem Zustand ist (d. h. verschlissene oder beschädigte Teile austauschen)
- Alle Muttern, Schrauben und Bolzen müssen angezogen sein, um sicherzustellen, dass sich der Rasenmäher in einem sicheren Arbeitszustand befindet

WÄHREND DER ANWENDUNG

- Nur bei ausreichendem Tageslicht oder mit entsprechender künstlicher Beleuchtung mähen
- Kippen Sie das Werkzeug beim Anlassen oder Einschalten des Motors nicht, außer dies ist für das Anlassen in hohem Gras notwendig (in diesem Fall nur so weit wie absolut notwendig kippen und nur den Teil, der vom Bediener entfernt ist); stets sicherstellen, dass beide Hände in Bedienungsposition sind, wenn das Werkzeug wieder auf den Boden aufgesetzt wird
- Sicherstellen, dass das Messer komplett zum Stillstand gekommen ist, wenn das Werkzeug gekippt wird, um Flächen zu überqueren oder für den Transport zu oder von der zu mähenden Fläche
- An Böschungen entlang mähen, nie hoch und runter
- Bei der Richtungsänderung bei Gefälle sehr vorsichtig sein

- Den Rasenmäher nie anheben oder tragen, wenn der Motor läuft
- Werkzeug immer ausschalten und Stecker aus der Netzsteckdose ziehen, wenn das Netz- oder Verlängerungskabel durchtrennt oder beschädigt wird oder sich verfangen hat (**das Kabel nicht anfassen, bevor der Stecker gezogen wurde**)
- Werkzeug nicht weiter verwenden, wenn das Kabel beschädigt ist; lassen Sie dieses von einem anerkannten Elektrofachmann ersetzen

BEDIENUNG

- Kabelhalter ⑫
 - Schlaufe des Verlängerungskabels gemäß Abbildung in den Kabelhalter A haken
 - festziehen, um das Verlängerungskabel sicher zu befestigen
- Schnitthöheneinstellung (28-48-68 mm) ⑬
 - ! **den Stecker aus der Steckdose ziehen und sicherstellen, dass sich das Schneidsystem nicht mehr dreht**
 - den Rasenmäher umkehren
 - die vordere und die hintere Radachse in die gewünschte Schneidhöhe einstellen (28, 48 oder 68 mm)
 - ! **darauf achten, dass die vier Räder in der gleichen Schneidhöhe befestigt sind**
- Ein-/Aus Sicherheitsschalter ⑭
 - Verhindert, dass das Werkzeug versehentlich eingeschaltet wird
 - zum Einschalten des Werkzeugs erst den Sicherheitsschalter C drücken und anschließend den Auslöseschalter D betätigen
 - das Werkzeug durch Lösen von Auslöseschalter D abschalten
 - ! **nach dem Ausschalten bewegt sich das Messer noch einige Sekunden**
- Bedienungsanleitung
 - den Rasenmäher mit beiden Händen festhalten
 - den Rasenmäher am Rand der Rasenfläche platzieren und beim Mähen vorwärts laufen
 - am Ende jeder Bahn umkehren und die vorherige gemähte Bahn leicht überlappen
 - den Rasenmäher nur auf trockenen Rasenflächen verwenden
 - den Rasenmäher von harten Objekten und Pflanzen fernhalten
 - zum Mähen von langem Gras den Schneidmechanismus zuerst auf die maximale Schnitthöhe und anschließend auf eine geringere Schnitthöhe einstellen
 - ! **passen Sie Ihre Schrittgeschwindigkeit beim Mähen von hohem Gras an**
- Anzeige "Auffangbehälter voll" ⑮
 - leeren Sie den Auffangbehälter E, sobald sich die Klappe F von selbst senkt, was anzeigt, dass der Auffangbehälter voll ist
 - reinigen Sie für eine optimale Grasaufnahme die Löcher unter der Klappe F regelmäßig mit einer Handbürste
- Aufbewahrung ⑯
 - um viel Aufbewahrungsplatz zu sparen, klappen Sie den Griff nach vorne (verwenden Sie die Flügelmutter

G) und bewahren Sie das Werkzeug wie abgebildet auf; **Zuerst Auffangbehälter leeren**

! **achten Sie darauf, dass das (Verlängerungs-) Kabel beim Umklappen/Aufklappen des Griffs nicht eingeklemmt wird (lassen Sie den Griff nicht fallen)**

- beim Verstauen keine anderen Objekte auf den Rasenmäher stellen
- den Rasenmäher drinnen an einem trockenen Platz aufbewahren

WARTUNG / SERVICE

- Dieses Werkzeug eignet sich nicht für den professionellen Einsatz
 - Halten Sie Werkzeug und Kabel immer sauber (insbesondere die Lüftungsschlitze J ③)
 - Den Rasenmäher nach jeder Verwendung mit einer Handbürste und einem weichen Tuch reinigen
 - ! **kein Wasser verwenden (besonders keine Hochdrucksprays)**
 - zusammengepressten Grasschnitt mit einem Holz- oder Kunststoffstück von den Messerflächen entfernen
 - Regelmäßig den Auffangbehälter auf Verschleiß oder Beschädigung untersuchen
 - Regelmäßig auf verschlissene oder beschädigte Messer und Schrauben prüfen und diese bei Bedarf austauschen (Schrauben im Satz)
 - Austauschung der Messer ⑰
 - ! **ziehen Sie den Stecker aus der Steckdose und entnehmen Sie den Auffangbehälter E ③**
 - ! **Schutzhandschuhe tragen**
 - den Rasenmäher umkehren
 - entfernen/montieren Sie das Messer wie abgebildet mit einem 13er Schraubenschlüssel
 - ! **verwenden Sie ausschließlich Ersatzmesser des richtigen Typs (SKIL-Ersatzteilnummer 2610Z04069, mit der Markierung YAT 474 552)**
 - reinigen Sie den Wellenbereich und die Unterseite des Werkzeugs sorgfältig, bevor Sie das Messer montieren
 - ! **bei der Montage des Messers darauf achten, dass die beiden Löcher X perfekt auf die beiden Y-Punkte passen**
 - Sollte das Elektrowerkzeug trotz sorgfältiger Herstellungs- und Prüfverfahren einmal ausfallen, ist die Reparatur von einer autorisierten Kundendienststelle für SKIL-Elektrowerkzeuge ausführen zu lassen
 - das Werkzeug **unzerlegt**, zusammen mit dem Kaufbeleg, an den Lieferer oder die nächste SKIL-Vertragswerkstätte senden (die Anschriften so wie die Ersatzteilzeichnung des Werkzeuges finden Sie unter www.skil.com)
- ### STÖRUNGSBESEITIGUNG
- Die folgende Liste enthält Symptome für Probleme, mögliche Ursachen und Lösungsmaßnahmen (wenn das Problem darin nicht beschrieben wird oder so nicht behoben werden kann, wenden Sie sich bitte an Ihren Händler oder Ihren Kundendienst)
 - ! **vor der Untersuchung des Problems das Werkzeug ausschalten und den Stecker aus der Steckdose ziehen**

- ★ Werkzeug funktioniert nicht
 - keine Stromversorgung -> Stromversorgung prüfen (Netzkabel, Schutzschalter, Sicherungen)
 - Netzsteckdose defekt -> andere Steckdose verwenden
 - Verlängerungskabel beschädigt -> Verlängerungskabel austauschen
 - Gras zu hoch -> Schnitthöhe erhöhen und Werkzeug kippen
- ★ Werkzeug hat Aussetzer
 - Verlängerungskabel beschädigt -> Verlängerungskabel austauschen
 - Innenverdrahtung defekt -> Händler/Kundendienst kontaktieren
- ★ Der Rasen ist nach dem Mähen ungleichmäßig oder Motor arbeitet schwer
 - Schnitt zu niedrig -> Schnitthöhe erhöhen
 - Messer ist stumpf -> Messer austauschen
 - Unterseite des Werkzeugs verstopft -> Werkzeug reinigen
 - keine einheitliche Schnitthöhe -> stellen Sie alle 4 Räder auf eine einheitliche Schnitthöhe ein
- ★ Messer dreht sich nicht
 - Messer sitzt fest -> Blockierung entfernen
 - Schraube/Mutter an Messer lose -> Festziehen
- ★ Werkzeug vibriert ungewöhnlich
 - Messer ist beschädigt -> Messer austauschen
 - Schraube/Mutter an Messer lose -> Festziehen

- Gemessen gemäß 2000/14/EG (EN/ISO 3744) liegt der garantierte Schalleistungspegel LwA unter 94 dB(A) (Bewertungsverfahren der Konformität gemäß Anhang VI)
Benannte Stelle: KEMA, Arnhem, NL
Kennnummer der benannten Stelle: 0344
 - Die Vibrationsemissionsstufe wurde mit einem standardisierten Test gemäß EN 60335 gemessen; Sie kann verwendet werden, um ein Werkzeug mit einem anderen zu vergleichen und als vorläufige Beurteilung der Vibrationsexposition bei Verwendung des Werkzeugs für die angegebenen Anwendungszwecke
 - die Verwendung des Werkzeugs für andere Anwendungen oder mit anderem oder schlecht gewartetem Zubehör kann die Expositionsstufe erheblich **erhöhen**
 - Zeiten, zu denen das Werkzeug ausgeschaltet ist, oder wenn es läuft aber eigentlich nicht eingesetzt wird, können die Expositionsstufe erheblich **verringern**
- ! schützen Sie sich vor den Auswirkungen der Vibration durch Wartung des Werkzeugs und des Zubehörs, halten Sie Ihre Hände warm und organisieren Sie Ihren Arbeitsablauf**

NL

Grasmaaier

0715

UMWELT

- **Elektrowerkzeuge, Zubehör und Verpackungen nicht in den Hausmüll werfen** (nur für EU-Länder)
 - gemäß Europäischer Richtlinie 2002/96/EG über Elektro- und Elektronik- Altgeräte und Umsetzung in nationales Recht müssen nicht mehr gebrauchsfähige Elektrowerkzeuge getrennt gesammelt und einer umweltgerechten Wiederverwertung zugeführt werden
 - hieran soll Sie Symbol ① erinnern

CE-KONFORMITÄTSERKLÄRUNG

- Wir erklären in alleiniger Verantwortung, daß dieses Produkt mit den folgenden Normen oder normativen Dokumenten übereinstimmt: EN 60335, EN 61000, EN 55014 gemäß den Bestimmungen der Richtlinien 2006/95/EG, 2004/108/EG, 2006/42/EG, 2000/14/EG, 2011/65/EU
- **Technische Unterlagen bei:** SKIL Europe BV (PT-SEU/ENG1), 4825 BD Breda, NL

Marijn van der Hoofden
Operations & Engineering

Olaf Dijkgraaf
Approvals Manager




SKIL Europe BV, 4825 BD Breda, NL

25.07.2013

CE 12

GERÄUSCH/VIBRATION

- Gemessen gemäß EN 60335 beträgt der Schalldruckpegel dieses Gerätes 73 dB(A) und der Schalleistungspegel 93 dB(A) (Standardabweichung: 1,5 dB), und die Vibration 2,5 m/s² (Hand-Arm Methode; Unsicherheit K = 1,5 m/s²)

INTRODUCTIE

- Deze machine is uitsluitend bestemd voor gebruik in uw eigen (hobby)tuin
 - Deze machine is niet bedoeld voor professioneel gebruik
 - Controleer of de verpakking alle onderdelen bevat die worden getoond in afbeelding ②
 - Als onderdelen ontbreken of beschadigd zijn, neemt u contact op met de dealer
 - Montage-instructies ②
 - de volgorde van de cijfers in de tekening komt overeen met de volgorde van de stappen die moeten worden gevolgd voor het monteren van de grasmaaier
- ! draai alle schroeven en moeren stevig aan**
- Lees deze handleiding aandachtig en bewaar hem zodat u hem in de toekomst kunt raadplegen ④

TECHNISCHE GEGEVENS ①

MACHINE-ELEMENTEN ③

- A Snoerhouder
- B Snoerklem
- C Veiligheidsschakelaar
- D Trekkerschakelaar
- E Grasopvangbak
- F Indicator "grasdoos vol"
- G Borgvleugelmoer
- H Transportgreep
- J Ventilatie-openingen
- K Achterafscherming

VEILIGHEID

ALGEMENE VEILIGHEIDSVoORSCHRIFTEN

⚠ LET OP! Lees alle veiligheidswaarschuwingen en alle voorschriften. Als de waarschuwingen en voorschriften niet worden opgevolgd, kan dit een elektrische schok, brand of ernstig letsel tot gevolg hebben. **Bewaar alle waarschuwingen en voorschriften voor toekomstig gebruik.** Het in de waarschuwingen gebruikte begrip "elektrisch gereedschap" heeft betrekking op elektrische gereedschappen voor gebruik op het stroomnet (met netsnoer) en op elektrische gereedschappen voor gebruik met een accu (zonder netsnoer).

1) VEILIGHEID VAN DE WERKOMGEVING

- a) **Houd uw werkomgeving schoon en opgeruimd.** Een rommelige of onverlichte werkomgeving kan tot ongevallen leiden.
- b) **Werk met het gereedschap niet in een omgeving met explosiegevaar waarin zich brandbare vloeistoffen, gasen of stof bevinden.** Elektrische gereedschappen veroorzaken vonken die het stof of de dampen tot ontsteking kunnen brengen.
- c) **Houd kinderen en andere personen tijdens het gebruik van het elektrische gereedschap uit de buurt.** Wanneer u wordt afgeleid, kunt u de controle over het gereedschap verliezen.

2) ELEKTRISCHE VEILIGHEID

- a) **De aansluitstekker van het gereedschap moet in het stopcontact passen. De stekker mag in geen geval worden veranderd. Gebruik geen adapterstekkers in combinatie met geaarde gereedschappen.** Onveranderde stekkers en passende stopcontacten beperken het risico van een elektrische schok.
- b) **Voorkom aanraking van het lichaam met geaarde oppervlakken, bijvoorbeeld van buizen, verwarmingen, fornuizen en koelkasten.** Er bestaat een verhoogd risico door een elektrische schok wanneer uw lichaam geaard is.
- c) **Houd het gereedschap uit de buurt van regen en vocht.** Het binnendringen van water in het elektrische gereedschap vergroot het risico van een elektrische schok.
- d) **Gebruik de kabel niet voor een verkeerd doel, om het gereedschap te dragen of op te hangen of om de stekker uit het stopcontact te trekken. Houd de kabel uit de buurt van hitte, olie, scherpe randen en bewegende gereedschapsdelen.** Beschadigde of in de war geraakte kabels vergroten het risico van een elektrische schok.
- e) **Wanneer u buitenshuis met elektrisch gereedschap werkt, dient u alleen verlengkabels te gebruiken die voor gebruik buitenshuis zijn goedgekeurd.** Het gebruik van een voor gebruik buitenshuis geschikte verlengkabel beperkt het risico van een elektrische schok.
- f) **Als het gebruik van het elektrische gereedschap in een vochtige omgeving onvermijdelijk is, dient u een aardlekschakelaar te gebruiken.** Het gebruik van een aardlekschakelaar vermindert het risico van een elektrische schok.

3) VEILIGHEID VAN PERSONEN

- a) **Wees alert, let goed op wat u doet en ga met verstand te werk bij het gebruik van het elektrische gereedschap. Gebruik het gereedschap niet wanneer u moe bent of onder invloed staat van drugs, alcohol of medicijnen.** Een moment van onoplettendheid bij het gebruik van het gereedschap kan tot ernstige verwondingen leiden.
 - b) **Draag persoonlijke beschermende uitrusting en altijd een veiligheidsbril.** Het dragen van persoonlijke beschermende uitrusting zoals een stofmasker, slipvaste werkschoenen, een veiligheidshelm of gehoorbescherming, afhankelijk van de aard en het gebruik van het elektrische gereedschap, vermindert het risico van verwondingen.
 - c) **Voorkom per ongeluk inschakelen. Controleer dat het elektrische gereedschap uitgeschakeld is voordat u de stekker in het stopcontact steekt of de accu aansluit en voordat u het gereedschap oppakt of draagt.** Wanneer u bij het dragen van het elektrische gereedschap uw vinger aan de schakelaar hebt of wanneer u het gereedschap ingeschakeld op de stroomvoorziening aansluit, kan dit tot ongevallen leiden.
 - d) **Verwijder instelgereedschappen of schroef sleutels voordat u het gereedschap inschakelt.** Een instelgereedschap of sleutel in een draaiend deel van het gereedschap kan tot verwondingen leiden.
 - e) **Probeer niet ver te reiken. Zorg ervoor dat u stevig staat en steeds in evenwicht blijft.** Daardoor kunt u het gereedschap in onverwachte situaties beter onder controle houden.
 - f) **Draag geschikte kleding. Draag geen loshangende kleding of sieraden. Houd haren, kleding en handschoenen uit de buurt van bewegende delen.** Loshangende kleding, sieraden en lange haren kunnen door bewegende delen worden meegenomen.
 - g) **Wanneer stofafzuigings- of stofopvangvoorzieningen kunnen worden gemonteerd, dient u zich ervan te verzekeren dat deze zijn aangesloten en juist worden gebruikt.** Het gebruik van een stofafzuiging beperkt het gevaar door stof.
- ### 4) GEBRUIK EN ONDERHOUD VAN ELEKTRISCHE GEREEDSCHAPPEN
- a) **Overbelast het gereedschap niet. Gebruik voor uw werkzaamheden het daarvoor bestemde elektrische gereedschap.** Met het passende elektrische gereedschap werkt u beter en veiliger binnen het aangegeven capaciteitsbereik.
 - b) **Gebruik geen elektrisch gereedschap waarvan de schakelaar defect is.** Elektrisch gereedschap dat niet meer kan worden in- of uitgeschakeld, is gevaarlijk en moet worden gerepareerd.
 - c) **Trek de stekker uit het stopcontact of neem de accu uit het elektrische gereedschap voordat u het gereedschap instelt, toebehoren wisselt of het gereedschap weglegt.** Deze voorzorgsmaatregel voorkomt onbedoeld starten van het gereedschap.
 - d) **Bewaar niet-gebruikte elektrische gereedschappen buiten bereik van kinderen. Laat het gereedschap niet gebruiken door personen die er niet mee vertrouwd zijn en deze aanwijzingen niet hebben gelezen.** Elektrische gereedschappen zijn gevaarlijk

- wanneer deze door onervaren personen worden gebruikt.
- e) **Verzorg het gereedschap zorgvuldig. Controleer of bewegende delen van het gereedschap correct functioneren en niet vastklemmen en of onderdelen zodanig gebroken of beschadigd zijn dat de werking van het gereedschap nadelig wordt beïnvloed. Laat beschadigde delen repareren voordat u het gereedschap gebruikt.** Veel ongevallen hebben hun oorzaak in slecht onderhouden elektrische gereedschappen.
- f) **Houd snijdende inzetgereedschappen scherp en schoon.** Zorgvuldig onderhouden snijdende inzetgereedschappen met scherpe snijkanten klemmen minder snel vast en zijn gemakkelijker te geleiden.
- g) **Gebruik elektrische gereedschappen, toebehoren, inzetgereedschappen en dergelijke volgens deze aanwijzingen. Let daarbij op de arbeidsomstandigheden en de uit te voeren werkzaamheden.** Het gebruik van elektrische gereedschappen voor andere dan de voorziene toepassingen kan tot gevaarlijke situaties leiden.
- 5) **SERVICE**
- a) **Laat het gereedschap alleen repareren door gekwalificeerd en vakkundig personeel en alleen met originele vervangingsonderdelen.** Daarmee wordt gewaarborgd dat de veiligheid van het gereedschap in stand blijft.

VEILIGHEIDSLINSTRUCTIES SPECIFIEK VOOR GRASMAAIERS

UITLEG VAN SYMBOLEN OP MACHINE

- ④ Lees de gebruiksaanwijzing vóór gebruik
- ⑤ Dubbele isolatie (geen aarddraad nodig)
- ⑥ **Houd rekening met het risico van letsel als gevolg van opvliegend afval** (houd omstanders op veilige afstand van het werkgebied)
- ⑦ Pas op voor de scherpe snijmesses
- ⑧ Houd het (verleng) snoer uit de buurt van het draaiende snijmes
- ⑨ Het snijmes blijft nog enige tijd draaien nadat de machine is uitgeschakeld (**raak het draaiende snijmes niet aan**)
- ⑩ Schakel de machine uit en haal de stekker uit het stopcontact voorafgaand aan reiniging/onderhoud of als het (verleng) snoer beschadigd of verward is
- ⑪ Geef de machine niet met het huisvuil mee

ALGEMEEN

- Gebruik de maaier niet op natte grasvelden
- De gebruiker is verantwoordelijk voor ongelukken of gevaar voor andere personen of hun eigendom
- Gebruik de machine nooit met een defecte achterafscherming of defecte grasopvangbak
- Wanneer u de machine gebruikt zonder grasopvangbak, zorg er dan voor dat de achterafscherming gesloten is (**risico van letsel door draaiend snijmes**)
- Haal de stekker altijd uit het stopcontact
 - wanneer u de machine onbeheerd laat
 - voordat u vastgelopen materiaal verwijderd
 - voordat u de machine controleert, reinigt of ermee gaat werken

- nadat een vreemd object is geraakt
- wanneer de machine abnormaal begint te trillen

ELEKTRISCHE VEILIGHEID

- Controleer regelmatig het snoer en laat het door een erkende vakman vervangen, indien beschadigd
- Wanneer de machine in een vochtige omgeving wordt gebruikt, een lekstroombeveiliging gebruiken met een uitschakelstroom van maximaal 30 mA
- Gebruik volledig uitgerolde en veilige verlengsnoeren met een capaciteit van 16 Ampère
- Gebruik alleen een voor gebruik buitenshuis goedgekeurd verlengsnoer (type H05VV-F of H05RN-F) met een waterdichte stekker en contactstop
- Trek niet aan het (verleng)snoer, rijd er niet overheen en plet het snoer niet
- Bescherm het (verleng)snoer tegen hitte, olie en scherpe randen
- Controleer het verlengsnoer regelmatig en vervang dit als het beschadigd is (**het gebruik van ondeugdelijke verlengsnoeren kan gevaarlijk zijn**)

PEERSONLIJKE VEILIGHEID

- Gebruik de machine niet op blote voeten of met sandalen; draag altijd stevige schoenen en een broek met lange pijpen
- Wees op de hoogte van de knoppen en het juiste gebruik van de machine
- Maai nooit in de nabijheid van personen (met name kinderen) en dieren
- **Houd handen en voeten altijd uit de buurt van draaiende onderdelen**
- **Blijf altijd uit de buurt van de uitstootopening**
- Schakel de motor in volgens de instructies; houd uw voeten daarbij ver uit de buurt van het snijmes
- **Dit apparaat is niet bedoeld voor gebruik door personen (waaronder begrepen kinderen) met fysieke, zintuiglijke of mentale beperkingen, of een gebrek aan ervaring en kennis, tenzij zij onder toezicht staan of instructies hebben ontvangen ten aanzien van het gebruik van dit apparaat door een persoon die verantwoordelijk is voor hun veiligheid** (er kunnen lokale beperkingen van toepassing zijn met betrekking tot de leeftijd van de gebruiker)
- Zorg ervoor dat kinderen de machine niet als speelgoed gebruiken
- Maai uitsluitend op wandelsnelheid (niet hard lopend)
- Zorg dat u stevig staat bij het maaien van hellingen en maai geen zeer steile hellingen
- Ga zeer voorzichtig te werk bij achterwaarts maaien of bij het naar u toe halen van de maaier

VOÓR GEBRUIK

- Controleer vóór elk gebruik de werking van de machine, en laat deze in geval van een defect onmiddellijk repareren door een erkende vakman; open zelf nooit de machine
- Controleer het gebied waar u de maaier wilt gebruiken zorgvuldig en verwijder alle harde voorwerpen die door het snijmechanisme kunnen worden gegrepen en weggeslingerd
- Zorg dat het snijmechanisme altijd in goede toestand verkeert (vervang versleten of beschadigde onderdelen)
- Zorg dat alle moeren, bouten en schroeven goed zijn aangedraaid zodat u zeker weet dat u veilig kunt maaien

TIJDENS GEBRUIK

- Maai uitsluitend bij goed daglicht of geschikt kunstlicht
- Houd de machine niet schuin bij het starten van het maaien of het inschakelen van de motor, tenzij deze

- schuin moet worden gehouden om het maaien van lang gras te starten (houd de machine in dat geval niet schuiner dan strikt noodzakelijk en houd alleen dat deel schuin, dat zich uit de buurt van de gebruiker bevindt); zorg er altijd voor dat beide handen in de bedieningsstand staan voordat u de machine weer op de grond plaatst
- Zorg dat het snijmes volledig stilstaat wanneer u de machine schuin houdt om oppervlakken anders dan gras te overbruggen en wanneer u de machine naar en van een te maaien gebied vervoert
 - Maai hellingen van links naar rechts (nooit van boven naar beneden)
 - Ga uiterst voorzichtig te werk wanneer u op hellingen van richting verandert
 - Til de grasmaaier nooit op en draag deze nooit wanneer de motor draait
 - Schakel de machine altijd uit en haal de stekker uit het stopcontact wanneer het (verleng) snoer versleten, beschadigd of verward is (**raak het snoer pas aan nadat u de stekker uit het stopcontact hebt gehaald**)
 - Gebruik de machine niet, wanneer het snoer beschadigd is; laat dit door een erkende vakman vervangen

GEBRUIK

- Snoerhouder ⑫
 - haak de lus van het verlengsnoer door de houder A zoals afgebeeld
 - trek stevig aan het verlengsnoer om het vast te zetten
- Maaihoogte afstellen (28-48-68 mm) ⑬
 - ! **haal de stekker uit het stopcontact en controleer of het snijblad niet meer draait**
 - draai de maaier ondersteboven
 - plaats de as van het voorwiel en die van het achterwiel in de gewenste maaihoogtestand (28, 48 of 68 mm)
 - ! **zorg dat de vier wieltjes op dezelfde maaihoogte zijn ingesteld**
- Aan/uit veiligheidsschakelaar ⑭
 - Voorkomt, dat de machine per ongeluk wordt aangezet
 - zet de machine aan door eerst op veiligheidsschakelaar C te drukken en daarna trekker-schakelaar D in te drukken
 - zet de machine uit door trekker-schakelaar D los te laten
 - ! **nadat de machine is uitgeschakeld, blijft het snijmes nog enkele seconden draaien**
- Gebruiksaanwijzingen
 - houd de maaier met beide handen vast
 - plaats de maaier op de rand van het gazon en maai in voorwaartse richting
 - draai aan het einde van elke baan om en overlap daarbij de vorige gemaaide baan enigszins
 - gebruik de maaier uitsluitend op droog gras
 - houd de maaier uit de buurt van harde voorwerpen en planten
 - bij het maaien van lang gras moet u het snijmechanisme eerst instellen op de maximale maaihoogte en vervolgens op een lagere maaihoogte
 - ! **pas uw loopnelheid aan wanneer u lang gras maait**
- Indicator "grasdoos vol" ⑮
 - leeg de grasdoos E zodra de klep F zelf aangeeft dat

- de grasdoos vol is door omlaag te gaan
- reinig de gaten onder de klep F regelmatig met een handborstel om het gras zo goed mogelijk te kunnen verzamelen
- Opslag ⑯
 - voor het besparen van flink wat opslagruimte de hendel van de machine inklappen (met vleugelmoer G) en de machine opbergen zoals afgebeeld; **maak eerst de grasopvangbak leeg**
 - ! **zorg dat het (verleng)snoer niet vast komt te zitten bij het in-/uitklappen van de hendel van de machine (laat de hendel niet vallen)**
 - plaats geen andere objecten boven op de maaier bij opslag
 - sla de maaier overdekt op een droge plaats op

ONDERHOUD / SERVICE

- Deze machine is niet bedoeld voor professioneel gebruik
 - Houd machine en snoer altijd schoon (met name de ventilatie-openingen J ③)
 - Reinig de maaier na elk gebruik met een handborstel en een zachte doek
 - ! **gebruik geen water (en met name geen hogedruksproeiers)**
 - verwijder compact gemaaid gras uit het mesgebied met een houten of kunststof voorwerp
 - Controleer de grasopvangbak regelmatig op slijtage of beschadiging
 - Controleer regelmatig op versleten of beschadigde snijmesses en bouten en vervang deze als set
 - Vervangen van het snijmes ⑰
 - ! **haal de stekker uit het stopcontact en verwijder de grasopvangbak E ③**
 - ! **draag beschermende handschoenen**
 - draai de maaier ondersteboven
 - verwijder/monteer het snijmes met behulp van steeksleutel 13 zoals afgebeeld
 - ! **gebruik alleen het juiste type reservesnijbladen (SKIL-reserveonderdeel, nummer 2610Z04069, merk YAT 474 552)**
 - reinig het asgebied en de onderzijde van de machine zorgvuldig voordat u het snijmes monteert
 - ! **zorg tijdens het monteren van het snijmes dat twee gaten X perfect samenvallen met twee inkepingen Y**
 - Mocht het elektrische gereedschap ondanks zorgvuldige fabricage- en testmethoden toch defect raken, dient de reparatie te worden uitgevoerd door een erkende klantenservice voor SKIL elektrische gereedschappen
 - stuur de machine **ongedemonteerd**, samen met het aankoopbewijs, naar het verkoopadres of het dichtstbijzijnde SKIL service-station (de adressen evenals de onderdeelentekening van de machine vindt u op www.skil.com)
- ### PROBLEEM OPLOSSEN
- Hierna volgt een lijst van problemen, mogelijke oorzaken en corrigerende handelingen (neem contact op met de dealer of het servicestation, als u het probleem niet kunt vaststellen en oplossen)
 - ! **schakel het apparaat uit en haal de stekker uit het stopcontact voordat u het probleem gaat onderzoeken**

- ★ De machine werkt niet
 - geen stroom -> controleer de stroomtoevoer (snoer, stroombrekers, zekeringen)
 - stopcontact defect -> gebruik ander stopcontact
 - verlengsnoer beschadigd -> vervang verlengsnoer
 - gras te hoog -> vergroot snijhoogte en houd machine schuin
- ★ De machine werkt soms wel/soms niet
 - verlengsnoer beschadigd -> vervang verlengsnoer
 - interne bedrading defect -> neem contact op met dealer/servicestation
- ★ Machine maait niet netjes of motor zwoegt
 - snijhoogte te laag -> vergroot snijhoogte
 - snijmes bot -> vervang snijmes
 - onderzijde van machine zwaar verstopt -> reinig machine
 - geen gelijkmatige maaihoogte -> stel de vier wielen in op dezelfde maaihoogte
- ★ Snijmes draait niet
 - snijmes geblokkeerd -> verwijder obstructie
 - snijmesmoer/-bout los -> draai snijmesmoer/-bout aan
- ★ Machine trilt abnormaal
 - snijmes beschadigd -> vervang snijmes
 - snijmesmoer/-bout los -> draai snijmesmoer/-bout aan

MILIEU

- **Geef electrisch gereedschap, accessoires en verpakkingen niet met het huisvuil mee** (alleen voor EU-landen)
 - volgens de Europese richtlijn 2002/96/EG inzake oude elektrische en elektronische apparaten en de toepassing daarvan binnen de nationale wetgeving, dient afgedankt electrisch gereedschap gescheiden te worden ingezameld en te worden afgevoerd naar een recycle-bedrijf, dat voldoet aan de geldende milieu-eisen
 - symbool ① zal u in het afdankstadium hieraan herinneren

CE-CONFORMITEITSVERKLARING

- Wij verklaren als alleen verantwoordelijke, dat het onder "Technische gegevens" beschreven product voldoet aan de volgende normen of normatieve documenten: EN 60335, EN 61000, EN 55014 overeenkomstig de bepalingen van de richtlijnen 2006/95/EG, 2004/108/EG, 2006/42/EG, 2000/14/EG, 2011/65/EU
- **Technisch dossier bij:** SKIL Europe BV (PT-SEU/ENG1), 4825 BD Breda, NL

Marijn van der Hoofden
Operations & Engineering

Olaf Dijkgraaf
Approvals Manager




SKIL Europe BV, 4825 BD Breda, NL

25.07.2013

CE12

GELUID/VIBRATIE

- Gemeten volgens EN 60335 bedraagt het geluidsdrukniveau van deze machine 73 dB(A) en het geluidsvermogen-niveau 93 dB(A) (standaard deviatie:

1,5 dB), en de vibratie 2,5 m/s² (hand-arm methode; onzekerheid K = 1,5 m/s²)

- Gemeten volgens 2000/14/EC (EN/ISO 3744) is het gegarandeerde geluidsvermogeniveau lager dan 94 dB(A) (wegingsmethode van de conformiteit volgens aanhangsel VI)
Aangemelde instantie: KEMA, Arnhem, NL
ID aangemelde instantie: 0344
 - Het trillingsemissieniveau is gemeten in overeenstemming met een gestandaardiseerde test volgens EN 60335; deze mag worden gebruikt om twee machines met elkaar te vergelijken en als voorlopige beoordeeling van de blootstelling aan trilling bij gebruik van de machine voor de vermelde toepassingen
 - gebruik van de machine voor andere toepassingen, of met andere of slecht onderhouden accessoires, kan het blootstellingsniveau aanzienlijk **verhogen**
 - wanneer de machine is uitgeschakeld of wanneer deze loopt maar geen werk verricht, kan dit het blootstellingsniveau aanzienlijk **reduceren**
- ! bescherm uzelf tegen de gevolgen van trilling door de machine en de accessoires te onderhouden, uw handen warm te houden en uw werkwijze te organiseren**

S

Gräsklippare

0715

INTRODUKTION

- Det här verktyget är endast avsedd för gräsklippning hemma
 - Det här verktyget är inte avsedd för yrkesmässig användning
 - Kontrollera om förpackningen innehåller alla delar som finns på bilden ②
 - Om delar saknas eller är skadade kontakta du återförsäljaren
 - Monteringsanvisningar ②
 - siffrorna i figuren följer samma ordning som stegen som ska utföras för att montera gräsklipparen
- ! dra åt alla skruvar och muttrar stadigt**
- Läs dessa instruktioner noggrant för användning och bevara dem för framtida bruk ④

TEKNISKA DATA ①

VERKTYGSELEMENT ③

- A Sladdhållare
- B Sladdklämma
- C Säkerhetsbrytare
- D Strömbrytare
- E Gräsuppsamlare
- F Indikator för full gräsuppsamlare
- G Vingmutter
- H Transporthandtag
- J Ventilationsöppningar
- K Bakre skydd

SÄKERHET

ALLMÄNNA SÄKERHETSANVISNINGAR

⚠ OBS! Läs noga igenom alla anvisningar. Fel som uppstår till följd av att anvisningarna nedan inte följts kan orsaka elstöt, brand och/eller allvarliga kroppsskador.

Förvara alla varningar och anvisningar för framtida bruk. Nedan använt begrepp "elverktyg" hänför sig till nätdrivna elverktyg (med nätsladd) och till batteridrivna elverktyg (sladdlösa).

1) ARBETSPLATSSÄKERHET

- a) **Håll arbetsplatsen ren och välbelyst.** Oordning på arbetsplatsen eller dåligt belyst arbetsområde kan leda till olyckor.
- b) **Använd inte elverktyget i explosionsfarlig omgivning med brännbara vätskor, gaser eller damm.** Elverktygen alstrar gnistor som kan antända dammet eller gaserna.
- c) **Håll under arbetet med elverktyget barn och obehöriga personer på betryggande avstånd.** Om du störs av obehöriga personer kan du förlora kontrollen över elverktyget.

2) ELEKTRISK SÄKERHET

- a) **Elverktygets stickpropp måste passa till vägguttaget. Stickproppen får absolut inte förändras. Använd inte adapterkontakter tillsammans med skyddsjordade elverktyg.** Oförfärdade stickproppar och passande vägguttag reducerar risken för elektriskt slag.
- b) **Undvik kroppskontakt med jordade ytor som t. ex. rör, värmeelement, spisar och kylskåp.** Det finns en större risk för elektriskt slag om din kropp är jordad.
- c) **Skydda elverktyget mot regn och väta.** Tränger vatten in i ett elverktyg ökar risken för elektriskt slag.
- d) **Missbruka inte nätsladden och använd den inte för att bära eller hänga upp elverktyget och inte heller för att dra stickproppen ur vägguttaget. Håll nätsladden på avstånd från värme, olja, skarpa kanter och rörliga maskindelar.** Skadade eller tilltrasslade ledningar ökar risken för elektriskt slag.
- e) **När du arbetar med ett elverktyg utomhus använd endast förlängningssladdar som är godkända för utomhusbruk.** Om en lämplig förlängningssladd för utomhusbruk används minskar risken för elektriskt slag.
- f) **Använd en jordfelsbrytare om det inte är möjligt att undvika elverktygets användning i fuktig miljö.** Genom att använda en jordfelsbrytare minskas risken för elstöt.

3) PERSONSÄKERHET

- a) **Var uppmärksam, kontrollera vad du gör och använd elverktyget med förnuft.** Använd inte elverktyget när du är trött eller om du är påverkad av droger, alkohol eller mediciner. Under användning av elverktyg kan även en kort ouppmärksamhet leda till allvarliga kroppsskador.
- b) **Bär alltid personlig skyddsutrustning och skyddsglasögon.** Användning av personlig skyddsutrustning som t. ex. dammfiltermask, halkfria säkerhetsskor, skyddshjälm och hörselskydd reducerar alltefter elverktygets typ och användning risken för kroppsskada.

- c) **Undvik oavsiktlig igångsättning. Kontrollera att elverktyget är fränkopplat innan du ansluter stickproppen till vägguttaget och/eller ansluter/ tar bort batteriet, tar upp eller bär elverktyget.** Om du bär elverktyget med fingret på strömställaren eller ansluter påkopplat elverktyg till nätströmmen kan olycka uppstå.
 - d) **Ta bort alla inställningsverktyg och skruvnycklar innan du kopplar på elverktyget.** Ett verktyg eller en nyckel i en roterande komponent kan medföra kroppsskada.
 - e) **Överskatta inte din förmåga. Se till att du står stadigt och håller balansen.** I detta fall kan du lättare kontrollera elverktyget i oväntade situationer.
 - f) **Bär lämpliga kläder. Bär inte löst hängande kläder eller smycken. Håll håret, kläderna och handskarna på avstånd från rörliga delar.** Löst hängande kläder, smycken och långt hår kan dras in av roterande delar.
 - g) **Vid elverktyg med dammutsugnings- och -uppsamlingsutrustning kontrollera att anordningarna är rätt monterade och används på korrekt sätt.** Användning av dammutsugning minskar de risker damm orsakar.
- ### 4) OMSORGSFULL HANTERING OCH ANVÄNDNING AV ELVERKTYG
- a) **Överbelasta inte elverktyget. Använd för aktuelltt arbete avsett elverktyg.** Med ett lämpligt elverktyg kan du arbeta bättre och säkrare inom angivet effektområde.
 - b) **Ett elverktyg med defekt strömställare får inte längre användas.** Ett elverktyg som inte kan kopplas in eller ur är farligt och måste repareras.
 - c) **Dra stickproppen ur vägguttaget och/eller ta bort batteriet innan inställningar utförs, tillbehörsdelar byts ut eller elverktyget lagras.** Denna skyddsåtgärd förhindrar oavsiktlig inkoppling av elverktyget.
 - d) **Förvara elverktygen oåtkomliga för barn. Låt elverktyget inte användas av personer som inte är förtrogna med dess användning eller inte läst denna anvisning.** Elverktygen är farliga om de används av oerfarna personer.
 - e) **Sköt elverktyget omsorgsfullt. Kontrollera att rörliga komponenter fungerar felfritt och inte kärvar, att komponenter inte brustit eller skadats; orsaker som kan leda till att elverktygets funktioner påverkas menligt. Låt skadade delar repareras innan elverktyget återanvänds.** Många olyckor orsakas av dåligt skötta elverktyg.
 - f) **Håll skärverktygen skarpa och rena.** Omsorgsfullt skötta skärverktyg med skarpa eggar kommer inte så lätt i kläm och går lättare att styra.
 - g) **Använd elverktyget, tillbehör, insatsverktyg osv. enligt dessa anvisningar.** Ta hänsyn till arbetsvillkoren och arbetsmomenten. Används elverktyget på icke ändamålsenligt sätt kan farliga situationer uppstå.

5) SERVICE

- a) **Låt elverktyget repareras endast av kvalificerad fackpersonal och med originalreservdelar.** Detta garanterar att elverktygets säkerhet upprätthålls.

SÄRSKILDA SÄKERHETSANVISNINGAR FÖR GRÄSKLIPPARE

FÖRKLARING AV SYMBOLERNA PÅ VERKTYGET

- ④ Läs bruksanvisningen före användning
- ⑤ Dubbel isolering (ingen jordning krävs)
- ⑥ **Var medveten om risken för skador som orsakas av flygande skräp** (håll andra personer på ett säkert avstånd från arbetsområdet)
- ⑦ Se upp för vassa knivar
- ⑧ Håll (förlängnings)sladden borta från den roterande klippkniven
- ⑨ Klippkniven fortsätter att rotera under en kort tid efter att verktyget har stängts av (**vidrör inte den roterande kniven**)
- ⑩ Stäng av och koppla bort kontakten före rengöring/underhåll eller om (förlängning)sladden är skadad eller har trasslat sig
- ⑪ Maskinen får inte kastas i hushållssoporna

ALLMÄNT

- Undvik att använda klipparen på våta gräsmattor
- Användaren ansvarar för olyckor eller faror som andra personer utsätts för inom hans/hennes fastighet
- Använd aldrig verktyget om det bakre skyddet eller gräsuppsamlaren är defekt
- Om verktyget används utan gräsuppsamlare ser du till att det bakre skyddet är i stängt läge (**risk för personskador som orsakas av den roterande klippkniven**)
- Koppla alltid bort kontakten från strömkällan
 - när verktyget är oöversiktligt
 - innan material som fastnat tas bort
 - innan verktyget kontrolleras, rengörs eller servas
 - efter att ha träffat ett främmande föremål
 - om verktyget börjar vibrera onormalt mycket

ELEKTRISK SÄKERHET

- Inspektera sladden med jämna mellanrum och låt den byta ut av en kvalificerad person den är skadad
- Om verktyget används i fuktiga miljöer ska en jordfelsbrytare användas med en brytström på högst 30 mA
- Använd helt uttrullade och säkra förlängningssladdar med kapacitet på 16 A
- Använd bara en förlängningssladd av typ H05VV-F eller H05RN-F som är avsedd för användning utomhus och som är försedd med en vattentät kontakt
- Kör inte över, kläm inte och dra inte i (förlängnings)sladden
- Skydda (förlängnings)sladden mot värme, olja och vassa kanter
- Kontrollera förlängningssladden regelbundet och byt den om den är skadad (**bristfälliga förlängningssladdar kan vara farliga**)

PERSONSÄKERHET

- Använd inte verktyget om du är barfota eller använder sandaler; använd alltid kraftiga skor och långbyxor
- Bekanta dig med kontrollerna och rätt användning av verktyget
- Klipp aldrig i närheten av personer (i synnerhet barn) eller djur
- **Håll alltid händer och fötter borta från roterande delar**
- **Håll dig alltid på avstånd från utmatningsöppningen**

- Slå på motorn enligt anvisningarna och med fötterna på avstånd från klippkniven
- **Det här verktyget är inte avsett för användning av personer (inklusive barn) med nedsatt fysisk, sensorisk eller mental förmåga, eller brist på erfarenhet och kunskap, om inte användning sker under överinseende av en person som ansvarar för personsäkerheten** (lokala föreskrifter kan omfatta åldersbegränsningar för användning)
- Barn får inte använda maskinen som leksak
- Gå när du använder gräsklipparen (spring inte)
- Ha säkert fotfäste i slutningar och klipp inte om slutningen är mycket brant
- Var mycket försiktig när du rör dig bakåt eller drar gräsklipparen mot dig

FÖRE ANVÄNDNINGEN

- Kontrollera före användningen att maskinen fungerar ordentligt; eventuella skador måste repareras av en kvalificerad tekniker; öppna aldrig maskinen själv
- Undersök området där gräsklipparen ska användas noggrant och ta bort alla hårda föremål som kan tas upp och slungas ut av klippmekanismen
- Se alltid till att klippmekanismen är i bra skick (byt slitna eller skadade delar)
- Håll alla muttrar, bultar och skruvar åtdragna för att se till att gräsklipparen är säker att använda

UNDER ANVÄNDNINGEN

- Klipp bara om dagsljuset är tillräckligt eller med ordentlig konstbelysning
- Luta inte verktyget vid start eller när motorn slås på, utom om verktyget måste lutas vid start i långt gräs (i sådana fall ska det inte lutas mer än vad som är absolut nödvändigt och bara den del som är på avstånd från användaren); se även alltid till att båda händerna är i driftsläget innan verktyget sätts ned på marken igen
- Försäkra dig om att klippkniven är fullständigt stillastående när verktyget lutas för att passera andra ytor än gräsytor och vid transport till och från klippområdet
- Klipp på tvären i slutningar (inte uppåt och nedåt)
- Var mycket försiktig när du byter riktning i slutningar
- Lyft eller bär aldrig gräsklipparen om motorn är igång
- Stäng alltid av verktyget och koppla bort kontakten från strömkällan om nåtsladden eller förlängningssladden har skårar, skador eller har trasslat sig (**vidrör inte sladden innan kontakten har kopplats bort**)
- Använd ej maskinen om sladden är trasig; låt den byta ut av en kvalificerad person

ANVÄNDNING

- Sladdhållare ⑫
 - lägg förlängningssladdens slinga över hållaren A enligt bilden
 - dra åt för att fästa förlängningssladden
- Justering av klipphöjd (28-48-68 mm) ⑬
 - ! **koppla bort kontakten från uttaget och se till att klippbladet har slutat rotera**
 - vänd gräsklipparen upp och ned
 - placera framhjulsets såväl som bakhjulsets axel i önskat klipphöjds läge (28, 48 eller 68 mm)
 - ! **se till att de fyra hjulen fixeras i samma klipphöjds läge**
- På/av säkerhetsbrytare ⑭
 - Förhindrar oavsiktlig start av verktyget
 - slå på maskinen genom att först trycka på

säkerhetskopplaren C och sedan trycka på strömbrytaren D

- stäng av maskinen genom att släppa strömbrytaren D

! när verktyget har stängts av fortsätter kniven att rotera under några sekunder

• Bruksanvisning

- håll gräsklipparen med båda händerna

- ställ gräsklipparen på gräsmattan och börja klippa

- vänd i slutet av varje klippsträcka och överlappa den klippta ytan en aning

- använd bara gräsklipparen när gräset är torrt

- håll gräsklipparen borta från hårda föremål och växter

- om gräset är långt ställer du först in klippmekanismen på maximal klipphöjd och därefter på lägre klipphöjd

! anpassa gångtaket vid klippning av långt gräs

• Indikator för full gräsupsamlare (15)

- töm gräsupsamlaren E när klaffen F sänks av sig själv, vilket visar att gräsupsamlaren är full

- för optimal gräsupsamling ska hålen under klaffen rengöras regelbundet F med en handborste

• Förvaring (16)

- i syfte att spara förvaringsutrymme viker du verktygets handtag (med hjälp av vingmuttern G) och förvarar verktyget enligt bilden; **töm gräsupsamlaren först ! se till att (förlängnings)sladden inte kläms när du viker ihop/viker upp verktygets handtag (tappa inte handtaget)**

- placera inga föremål på gräsklipparen vid förvaring

- förvara gräsklipparen inomhus på en torr plats

UNDERHÅLL / SERVICE

• Det här verktyget är inte avsedd för yrkesmässig användning

• Håll alltid din maskin och sladden ren (speciellt ventilationsöppningarna J (3))

• Rengör gräsklipparen efter varje användning med en handborste och en mjuk trasa

! använd inte vatten (i synnerhet inte högtrycksprutor)

- ta bort gräsklipp från bladområdet med ett redskap av trä eller plast

• Kontrollera gräsupsamlaren regelbundet för att se om den är sliten eller skadad

• Kontrollera regelbundet om knivar och bultar är slitna eller skadade och byt ut dem mot hela satser för att bevara balansen

• Byta klippkniv (17)

! koppla bort kontakten från uttaget och ta bort gräsupsamlaren E (3)

! använd skyddshandskar

- vänd gräsklipparen upp och ned

- ta bort/montera klippkniven med hjälp av nyckel 13 enligt bilden

! använd bara utbytesklippblad av rätt typ (SKIL, reservdelnummer 2610Z04069, märkning YAT 474 552)

- rengör axelområdet och verktygets undersida noggrant innan klippkniven monteras

! vid montering av klippkniven ser du till att de två hålen X stämmer perfekt överens med de två upphöjningarna Y

• Om i elverktyget trots exakt tillverkning och sträng kontroll störning skulle uppstå, bör reparation utföras av

auktoriserad serviceverkstad för SKIL elverktyg

- sänd in verktyget i **odemonterat skick** tillsammans med inköpsbevis till försäljaren eller till närmaste SKIL serviceverkstad (adresser till servicestationer och sprängskisser av maskiner finns på www.skil.com)

FELSÖKNING

• På följande lista anges problemsymptom, tänkbara orsaker och avhjäljande åtgärder (om de inte identifierar och rättar till problemet kontaktar du en återförsäljare eller serviceverkstad)

! stäng av verktyget och dra ur kontakten innan problemet undersöks

★ Verktyget fungerar inte

- ingen strömtillförsel -> kontrollera strömtillförseln (nätsladd, krets brytare, säkringar)

- fel i eluttaget -> använd ett annat uttag

- skadad förlängningsladd -> byt förlängningsladden

- för högt gräs -> öka klipphöjden och luta verktyget

★ Verktyget fungerar då och då

- skadad förlängningsladd -> byt förlängningsladden

- defekta interna kopplingar -> kontakta återförsäljare/serviceverkstad

★ Verktyget klipper ojämnt eller motorn går tungt

- för låg klipphöjd -> öka klipphöjden

- slö klippkniv -> byt klippkniven

- undersidan av verktyget är helt igensatt -> rengör verktyget

- klipphöjden är inte enhetlig -> ställ in de 4 hjulen på samma klipphöjd

★ Klippkniven roterar inte

- hinder vid klippkniven -> ta bort hindret

- lös knivmutter/-bult -> dra åt knivmuttern/-bulten

★ Verktyget vibrerar onormalt mycket

- klippkniven är skadad -> byt klippkniven

- lös knivmutter/-bult -> dra åt knivmuttern/-bulten

MILJÖ

• **Elektriska verktyg, tillbehör och förpackning får inte kastas i hushållssoporna** (gäller endast EU-länder)

- enligt direktivet 2002/96/EG som avser äldre elektrisk och elektronisk utrustning och dess tillämpning enligt nationell lagstiftning ska uttjänta elektriska verktyg sorteras separat och lämnas till miljövänlig återvinning - symbolen (11) kommer att påminna om detta när det är tid att kassera

CE-FÖRSÄKRAN OM ÖVERENSSTÄMMELSE

• Vi försäkrar härmed under exklusivt ansvar att denna produkt som beskrivs i "Tekniska data" överensstämmer med följande normer eller normativa dokument: EN 60335, EN 61000, EN 55014 enligt bestämmelserna i direktiven 2006/95/EG, 2004/108/EG, 2006/42/EG, 2000/14/EG, 2011/65/EU

- **Teknisk tillverkningsdokumentation finns hos:** SKIL Europe BV (PT-SEU/ENG1), 4825 BD Breda, NL

Marijn van der Hoofden Olaf Dijkgraaf
Operations & Engineering Approvals Manager

SKIL Europe BV, 4825 BD Breda, NL

25.07.2013

CE12

LJUD/VIBRATION

- Ljudtrycksnivån som uppmätts enligt EN 60335 är på denna maskin 73 dB(A) och ljudeffektnivån 93 dB(A) (standard deviation: 1,5 dB), och vibration 2,5 m/s² (hand-arm metod; onoggrannhet K = 1,5 m/s²)
 - Mått enligt 2000/14/EC (EN/ISO 3744) är den garanterade ljudeffektnivån (LWA) lägre än 94 dB (A) (bedömningsmetod för överensstämmelse enligt bilaga VI)
Anmält organ: KEMA, Arnhem, NL
ID-nummer för anmält organ: 0344
 - Vibrationsemissionsvärdet har uppmätts enligt ett standardiserat test i enlighet med EN 60335; detta värde kan användas för att jämföra vibrationen hos olika verktyg och som en ungefärlig uppskattning av hur stor vibration användaren utsätts för när verktyget används enligt det avsedda syftet
 - om verktyget används på ett annat än det avsedda syftet eller med fel eller dåligt underhållna tillbehör kan detta drastiskt **öka** vibrationsnivån
 - när verktyget stängs av eller är på men inte används, kan detta avsevärt **minska** vibrationsnivån
- ! skydda dig mot vibration genom att underhålla verktyget och dess tillbehör, hålla händerna varma och styra upp ditt arbetssätt**

DK

Plæneklipper

0715

INLEDNING

- Dette værktøj er kun beregnet til plæneklipping hjemme
 - Dette værktøj er ikke beregnet til professionelt brug
 - Kontroller, om pakken indeholder alle dele som vist på illustrationen ②
 - Kontakt venligst din forhandler, hvis dele mangler eller er beskadiget
 - Samlingsvejledning ②
 - rækkefølgen af de numre, der er angivet på tegningen, svarer til den rækkefølge, hvori plæneklipperen skal samles
- ! spænd alle skruer og møtrikker stramt**
- Læs denne brugsanvisning omhyggeligt igennem, inden støvsugeren bruges, og gem brugsanvisningen til senere brug ④

TEKNISKE DATA ①

VÆRKTØJETS DELE ③

- A Ledningsholder
- B Ledningsholder
- C Sikkerhedsafbryder
- D Udløserkontakt
- E Græsbeholder
- F Indikatoren "Fuld græsbeholder"
- G Sikkerhedsvingemøtrik
- H Transporthåndtag
- J Ventilationshuller
- K Bagbeskyttelsesskærm

SIKKERHED

GENERALE SIKKERHEDSINSTRUKSER

⚠ VIGTIGT! Læs alle advarselshenvisninger og instrukser. I tilfælde af manglende overholdelse af advarselshenvisningerne og instrukserne er der risiko for elektrisk stød, brand og/eller alvorlige kvæstelser. **Opbevar alle advarselshenvisninger og instrukser til senere brug.** Det i advarselshenvisningerne benyttede begreb "el værktøj" refererer til netdrevet el værktøj (med netkabel) og akkudrevet el værktøj (uden netkabel).

1) SIKKERHED PÅ ARBEJDSPLADSEN

- a) **Sørg for, at arbejdsområdet er rent og ryddeligt.** Uorden eller uoplyste arbejdsområder øger faren for uheld.
- b) **Brug ikke maskinen i eksplosionstruede omgivelser, hvor der er brændbare væsker, gasser eller støv.** El-værktøj kan slå gnister, der kan antænde støv eller dampe.
- c) **Sørg for, at andre personer og ikke mindst børn holdes væk fra arbejdsområdet, når maskinen er i brug.** Hvis man distraheres, kan man miste kontrollen over maskinen.

2) ELEKTRISK SIKKERHED

- a) **Maskinens stik skal passe til kontakten. Stikket må under ingen omstændigheder ændres. Brug ikke adapterstik sammen med jordforbundne maskiner.** Uændrede stik, der passer til kontakterne, nedsætter risikoen for elektrisk stød.
- b) **Undgå kropskontakt med jordforbundne overflader som f.eks. rør, radiatorer, komfurer og køleskabe.** Hvis din krop er jordforbundet, øges risikoen for elektrisk stød.
- c) **Maskinen må ikke udsættes for regn eller fugt.** Indtrængning af vand i maskinen øger risikoen for elektrisk stød.
- d) **Brug ikke ledningen til formål, den ikke er beregnet til (f.eks. må man aldrig bære maskinen i ledningen, hænge maskinen op i ledningen eller rykke i ledningen for at trække stikket ud af kontakten). Beskyt ledningen mod varme, olie, skarpe kanter eller maskindele, der er i bevægelse.** Beskadigede eller udviklede ledninger øger risikoen for elektrisk stød.
- e) **Hvis maskinen benyttes i det fri, må der kun benyttes en forlængerledning, der er godkendt til udendørs brug.** Brug af forlængerledning til udendørs brug nedsætter risikoen for elektrisk stød.
- f) **Hvis det ikke kan undgås at bruge maskinen i fugtige omgivelser, skal der bruges et HFI-relæ.**

Brug af et HFI-relæ reducerer risikoen for at få elektrisk stød.

3) PERSONLIG SIKKERHED

- a) **Det er vigtigt at være opmærksom, se, hvad man laver, og bruge maskinen fornuftigt. Man bør ikke bruge maskinen, hvis man er træt, har nydt alkohol eller er påvirket af medicin eller euforiserende stoffer.** Få sekunders uopmærksomhed ved brug af maskinen kan føre til alvorlige personskader.
 - b) **Brug beskyttelsesudstyr og hav altid beskyttelsesbriller på.** Brug af sikkerhedsudstyr som f.eks. støvmaske, skridsikkert fodtøj, beskyttelseshjelm eller høreværn afhængig af maskintype og anvendelse nedsætter risikoen for personskader.
 - c) **Undgå utilsigtet igangsætning. Kontrollér, at el værktøjet er slukket, før du tilslutter det til strømtilførslen og/eller akkuen, løfter eller bærer det.** Undgå at bære el værktøjet med fingeren på afbryderen og sørg for, at el værktøjet ikke er tændt, når det slutes til nettet, da dette øger risikoen for personskader.
 - d) **Fjern indstillingsværktøj eller skruenøgle, inden maskinen tændes.** Hvis et stykke værktøj eller en nøgle sidder i en roterende maskindel, er der risiko for personskader.
 - e) **Overvurder ikke dig selv. Sørg for at stå sikkert, mens der arbejdes, og kom ikke ud af balance.** Det er derved nemmere at kontrollere maskinen, hvis der skulle opstå uventede situationer.
 - f) **Brug egnet arbejdstøj. Undgå løse beklædningsgenstande eller smykker. Hold hår, tøj og handsker væk fra dele, der bevæger sig.** Dele, der er i bevægelse, kan gribe fat i løstsiddende tøj, smykker eller langt hår.
 - g) **Hvis støvsugnings- og opsamlingsudstyr kan monteres, er det vigtigt, at dette tilsluttes og benyttes korrekt.** Brug af en støvsugning nedsætter risikoen for personskader som følge af støv.
- ### 4) OMHYGGELEG OMGANG MED OG BRUG AF EL-VÆRKTØJ
- a) **Undgå overbelastning af maskinen. Brug altid en maskine, der er beregnet til det stykke arbejde, der skal udføres.** Med den rigtige maskine arbejder man bedst og mest sikkert inden for det angivne effektområde.
 - b) **Brug ikke en maskine, hvis afbryder er defekt.** En maskine, der ikke kan startes og stoppes, er farlig og skal repareres.
 - c) **Træk stikket ud af stikkontakten og/eller fjern akkuen, inden maskinen indstilles, der skiftes tilbehørsdele, eller maskinen lægges fra.** Disse sikkerhedsforanstaltninger forhindrer utilsigtet start af maskinen.
 - d) **Opbevar ubenyttet el-værktøj uden for børns rækkevidde. Lad aldrig personer, der ikke er fortrolige med maskinen eller ikke har gennemlæst disse instrukser, benytte maskinen.** El-værktøj er farligt, hvis det benyttes af ukyndige personer.
 - e) **Maskinen bør vedligeholdes omhyggeligt. Kontroller, om bevægelige dele fungerer korrekt og ikke sidder fast, og om delene er brækket eller beskadiget, således at maskinens funktion påvirkes. Få beskadigede dele repareret, inden**

maskinen tages i brug. Mange uheld skyldes dårligt vedligeholdte maskiner.

- f) **Sørg for, at skæreværktøjer er skarpe og rene.** Omhyggeligt vedligeholdte skæreværktøjer med skarpe skærekanter sætter sig ikke så hurtigt fast og er nemmere at føre.
 - g) **Brug el-værktøj, tilbehør, indsatsværktøj osv. iht. disse instrukser. Tag hensyn til arbejdsforholdene og det arbejde, der skal udføres.** I tilfælde af anvendelse af værktøjet til formål, som ligger uden for det fastsatte anvendelsesområde, kan der opstå farlige situationer.
- ### 5) SERVICE
- a) **Sørg for, at maskinen kun repareres af kvalificerede fagfolk, og at der kun benyttes originale reservedele.** Dermed sikres størst mulig maskinsikkerhed.

SÆRLIGE SIKKERHEDSANVISNINGER FOR PLÆNEKLIPPERE

FORKLARING TIL SYMBOLERNE PÅ VÆRKTØJET

- ④ Læs instruktionen inden brugen
- ⑤ Dobbelt isolering (jordforbindelse unødvendig)
- ⑥ **Vær opmærksom på den risiko for skade, der kan forårsages af flyvende affald** (andre personer skal befinde sig sikkert på afstand af arbejdsområdet)
- ⑦ Pas på skarpe blade
- ⑧ Sørg for at holde (forlænger-)ledningen væk fra de roterende skæreblade
- ⑨ Skærebladet fortsætter med at dreje rundt få sekunder efter, at værktøjet er slukket (**rør ikke ved det roterende blad**)
- ⑩ Sluk for strømmen og tag stikket ud før rengøring/vedligeholdelse eller hvis ledning eller forlængerledning er beskadiget eller viklet ind i noget
- ⑪ Værktøj må ikke bortskaffes som almindeligt affald

GENERELT

- Plæneklipperen bør ikke anvendes på våde græsplæner
- Brugeren er ansvarlig for ulykker eller fare, der kan forekomme i forhold til andre mennesker eller deres ejendom
- Brug aldrig værktøjet, hvis bagskytlesskærmen eller græsbeholderen er defekt
- Ved anvendelse af værktøjet uden græsbeholderen skal du sikre, at bagskytlesskærmen er i lukket position (**der er risiko for skade forårsaget af det roterende skæreblad**)
- Tag altid stikket ud af strømkilden
 - når du forlader værktøjet, så det er uden opsyn
 - før du fjerner materiale, der sidder fast
 - før du kontrollerer, rengør eller udfører arbejde på værktøjet
 - efter at have ramt et fremmedlegeme
 - hvis værktøjet begynder at vibrere unormalt

ELEKTRISK SIKKERHED

- Undersøg ledningen med mellemrum og få det skiftet ud af en anerkendt fagmand, hvis den er beskadiget
- Hvis værktøjet anvendes i fugtige omgivelser, skal der bruges en fejlstrømssikring (RCD) med en udløserstrøm på maks. 30 mA
- Anvend helt udrullede og sikre forlængerledninger med en kapacitet på 16 A

- Anvend kun en forlængerledning af typerne H05VV-F eller H05RN-F, der er egnet til udendørs brug og udstyret med et vandtæt stik og koblingsstikkontakt
- Gå ikke hen over ledningen, og lad være med at mase eller trække i (forlænger) ledningen
- Hold (forlænger) ledningen væk fra varme, olie og skarpe kanter
- Kontrollér forlængerledningen med jævne mellemrum, og udskift den, hvis den er ødelagt (**defekte forlængerledninger kan være farlige**)

PERSONLIG SIKKERHED

- Du må ikke betjene værktøjet barfodet eller i åbne sandaler; anvend altid kraftige sko og lange bukser
- Gør dig bekendt med kontrollerne og den korrekte brug af værktøjet
- Slå aldrig græs tæt på mennesker (især børn) og dyr
- **Hold altid hænder og fødder væk fra roterende dele**
- **Hold altid afstand til udstødningen**
- Tænd for motoren i henhold til instruktionerne og med fødderne på afstand af skærebladet
- **Dette værktøj er ikke beregnet til brug af personer (herunder børn), der har nedsatte fysiske, sensoriske eller mentale evner eller mangel på erfaring og viden, med mindre disse personer er blevet givet instruktion og supervision i brugen af værktøjet fra en person, som er ansvarlig for deres sikkerhed** (lokale bestemmelser kan sætte begrænsninger for operatørens alder)
- Børn må ikke lege med dette værktøj
- Betjen kun plæneklipperen i gåhastighed (du må ikke løbe)
- Sørg for ordentlig fodfæste på skråninger og slå ikke græs på ekstremt stejle skråninger
- Vær ekstrem forsigtig, når du bevæger dig bagud eller trækker plæneklipperen hen imod dig

INDEN BRUG

- Hver gang værktøjet tages i brug, skal man kontrollere dets funktion, og i tilfælde af en fejl, skal man omgående få værktøjet repareret af en kvalificeret person; man må aldrig selv åbne værktøjet
- Foretag en grundig gennemsøgning af det område, hvor plæneklipperen skal bruges, og fjern alle hårde genstande, som kunne blive opfanget og kastes afsted af skæremekanismen
- Sørg altid for, at skæremekanismen er i god arbejdstilstand (få slidte eller beskadigede dele udskiftet)
- Hold alle møtrikker, bolte og skruer stramt for at sikre, at plæneklipperen er i en god arbejdstilstand

UNDER BRUG

- Slå kun græsset, når det er tilstrækkeligt lyst eller ved passende kunstig belysning
- Værktøjet må ikke vippe ved start og motortænding, med mindre værktøjet er vippet på skrå for at kunne starte i højt græs (i dette tilfælde må den ikke vippe mere end højst nødvendigt, og kun den del, der er væk fra operatøren, må vippe); sørg altid for, at begge hænder er i styreposition, før værktøjet sættes ned på jorden igen
- Sørg for, at skærebladet står helt stille, når du vipper værktøjet op for at køre det over andre overflader end græs, og når det transporteres til og fra det sted, hvor der skal slås græs
- Bevæg plæneklipperen på tværs af forhøjninger (aldrig op og ned)
- Vær meget forsigtig, når du skifter retning på en skrånning

- Plæneklipperen må aldrig tages op eller bæres, hvis motoren er tændt
- Sluk altid før værktøjet og tag stikket ud af strømkilden, hvis der bliver skåret i strømledningen eller forlængerledningen eller hvis den bliver beskadiget eller viklet ind i noget (**rør ikke ved ledningen, før du har taget stikket ud**)
- Brug ikke værktøjet, hvis kablet er beskadiget; få det skiftet ud af en anerkendt fagmand

BETJENING

- Ledningsholder ⑫
 - lav en løkke med forlængerledningen, og sæt den over holderen A som vist på billedet
 - stram forlængerledningen, så den sidder fast
- Indstilling af skærehøjden (28-48-68 mm) ⑬
 - ! **tag stikket ud af strømkilden og sørg for, at skærebladet er stoppet med at rotere**
 - vend plæneklipperen på hovedet
 - sæt forhjulsakslen samt baghjulsakslen i den ønskede skærehøjde (28, 48 eller 68 mm)
 - ! **sørg for, at de fire hjul sidder fast i samme skærehøjde**
- On/off sikkerhedsafbryder ⑭
 - Forhindr, at værktøjet tændes ved en fejltagelse
 - tænd værktøjet ved først at trykke på sikkerhedsafbryderen C og derefter trække i udløserkontakten D
 - sluk værktøjet ved at slippe udløserkontakten D
 - ! **når værktøjet er slukket, fortsætter bladet med at rotere nogle få sekunder**
- Brugsanvisning
 - hold plæneklipperen med begge hænder
 - anbring plæneklipperen i hjørnet af græsplænen og slå græsset i en fremadrettet retning
 - vend om i slutningen af hver tur idet du overlapper det tidligere klippede græsstykke en anelse
 - brug kun plæneklipperen på tørt græs
 - hold plæneklipperen væk fra hårde genstande og planter
 - når du skal slå langt græs, skal du først indstille skæremekanismen til maksimal skærehøjde og dernæst til en lavere skærehøjde
 - ! **når du klipper langt græs, skal du justere din ganghastighed herfter**
- Indikatoren "Fuld græsbeholder" ⑮
 - tøm græsbeholderen E, så snart flappen F sænkes af sig selv, hvilket indikerer, at græsbeholderen er fuld
 - for at få den bedste græsindsamling, skal du regelmæssigt rengøre hullerne under flappen F med en håndbørste
- Opbevaring ⑯
 - for at spare en del plads skal du folde værktøjets håndtag sammen (ved hjælp af vingemøtrikken G) og opbevare værktøjet som vist; **tøm græsbeholderen først**
 - ! **kontroller, at (forlænger-)ledningen ikke sidder fast, når værktøjets håndtag foldes sammen/ud (tab ikke håndtaget)**
 - lad være med at anbringe andre genstande oven på plæneklipperen, når den opbevares
 - opbevar plæneklipperen et tørt sted indendøre

VEDLIGEHOJDELSE/SERVICE

- Dette værktøj er ikke beregnet til professionelt brug
- Hold værktøjet og ledningen ren (især ventilationshullerne J ③)
- Rengør plæneklipperen efter hver brug med en håndbørste og en blød klud
- ! **du må ikke bruge vand (især ikke højtryksprøjter)**
- fjern sammenpresset, slået græs fra bladområdet med et træ- eller plastikredskab
- Græsbeholderen skal kontrolleres regelmæssigt for slid eller beskadigelse
- Du skal regelmæssigt kontrollere for slidte eller beskadigede blade og bolte og udskifte dem sætvis for herved at bevare balancen
- Udskiftning af skærebladet ①
- ! **tag stikket ud af strømkilden og fjern græsbeholderen E ③**
- ! **bær beskyttelseshandsker**
- vend plæneklipperen på hovedet
- fjern/monter skærebladet med en svensk nøgle 13 som vist
- ! **anvend kun skæreblade til udskiftning af den korrekte type (SKIL-reservedelsnummer 2610Z04069, mærket YAT 474 552)**
- før skærebladet monteres, skal du grundigt rengøre akslen og undersiden af værktøjet
- ! **når du monterer skærebladet, skal du sikre, at de to huller X passer fuldstændigt sammen med hakkene Y**
- Skulle el værktøjet trods omhyggelig fabrikation og kontrol holde op med at fungere, skal reparationen udføres af et autoriseret serviceværksted for SKIL-elektroværktøj
- send den **uskilte** værktøjet sammen med et købsbevis til forhandleren eller nærmeste SKIL serviceværksted (adresser og reservedelstegning af værktøjet findes på www.skil.com)

FEJLFINDING

- Den følgende liste viser problemsymptomer, mulige grunde samt afhjælpningsaktiviteter (hvis du ikke kan finde årsagen og rette problemet, bedes du kontakte forhandleren eller serviceværkstedet)
- ! **sluk for værktøjet, og tag stikket ud, før du begynder at lede efter problemet**
- ★ Værktøjet virker ikke
- ingen strømforsyning-> kontroller strømforsyning (strømkabel, afbryderkontakter, sikringer)
- fejl i strømforsyningsstikket -> brug et andet stik
- forlængerledning ødelagt -> udskift forlængerledningen
- græsset er for højt -> øg skærehøjden og vip værktøjet
- ★ Værktøjet fungerer uregelmæssigt
- forlængerledning ødelagt -> udskift forlængerledningen
- intern ledningsdefekt -> kontakt forhandleren/ serviceværkstedet
- ★ Græsset er ujævn klippet eller motoren arbejder for meget
- skærehøjden er for lav -> øg skærehøjden
- skærebladet er sløvt -> få bladet slebet
- undersiden af værktøjet er beskidt med klumper -> rengør værktøjet

- skærehøjde ikke ensartet -> indstil 4 hjul i samme skærehøjde
- ★ Skærebladet roterer ikke
- skærebladet er blokeret -> fjern blokeringen
- møtrikken/bolten til bladet sidder løs -> stram møtrikken/bolten til bladet
- ★ Værktøjet vibrerer unormalt
- skærebladet er beskadiget -> udskift skærebladet
- møtrikken/bolten til bladet sidder løs -> stram møtrikken/bolten til bladet

MILJØ

- **Elværktøj, tilbehør og emballage må ikke bortskaffes som almindeligt affald** (kun for EU-lande)
- i henhold til det europæiske direktiv 2002/96/EF om bortskaffelse af elektriske og elektroniske produkter og gældende national lovgivning, skal brugt elværktøj indsamles separat og bortskaffes på en måde, der skåner miljøet mest muligt
- symbolet ① erindrer dig om dette, når udskiftning er nødvendig

CE-OVERENSSTEMMELSESERKLÆRING

- Vi erklærer under almindeligt ansvar, at det produkt, der er beskrevet under "Tekniske data", er i overensstemmelse med følgende standarder eller normative dokumenter: EN 60335, EN 61000, EN 55014 i henhold til bestemmelserne i direktiverne 2006/95/EF, 2004/108/EF, 2006/42/EF, 2000/14/EF, 2011/65/EU
- **Teknisk dossier hos:** SKIL Europe BV (PT-SEU/ENG1), 4825 BD Breda, NL

Marijn van der Hoofden
Operations & Engineering

Olaf Dijkgraaf
Approvals Manager

SKIL Europe BV, 4825 BD Breda, NL
25.07.2013

CE12

STØJ/VIBRATION

- Måles efter EN 60335 er lydtrykniveau af dette værktøj 73 dB(A) og lydeffektniveau 93 dB(A) (standard deviation: 1,5 dB), og vibrationsniveauet 2,5 m/s² (hånd-arm metoden; usikkerhed K = 1,5 m/s²)
- Måles efter 2000/14/EF (EN/ISO 3744) er det garanterede ydeeffektniveau LWA mindre end 94 dB(A) (procedurer for overensstemmelsesvurdering iht. bilag VI)
- Underrettet myndighed: KEMA, Arnhem, NL
Identifikationsnummer for underrettet myndighed: 0344
- Det vibrationsniveau er målt i henhold til den standardiserede test som anført i EN 60335; den kan benyttes til at sammenligne to stykker værktøj og som en foreløbig bedømmelse af udsættelsen for vibrationer, når værktøjet anvendes til de nævnte formål
- anvendes værktøjet til andre formål eller med andet eller dårligt vedligeholdt tilbehør, kan dette **øge** udsættelsesniveauet betydeligt
- de tidsrum, hvor værktøjet er slukket, eller hvor det kører uden reelt at udføre noget arbejde, kan

reducere udsættelsesniveauet betydeligt

! beskyt dig selv imod virkningerne af vibrationer ved at vedligeholde værktøjet og dets tilbehør, ved at holde dine hænder varme og ved at organisere dine arbeidsmønstre

N

Plenklipper

0715

INTRODUKSJON

- Dette verktøyet er beregnet kun på plenklipping ved boliger
- Dette verktøyet er ikke beregnet på profesjonell bruk
- Se etter at emballasjen inneholder alle deler, som vist på tegningen ②
- Ta kontakt med forhandleren når deler mangler eller er skadet
- Monteringsanvisninger ②
 - rekkefølgen til numrene som vises i tegningen, angir rekkefølgen du må følge når du skal montere gressklipperen
- **! trekk til alle skruer og mutrer**
- Les denne instruksjonen nøye før bruk, og ta vare på den for fremtidig bruk ④

TEKNISKE DATA ①

VERKTØYELEMENTER ③

- A Ledningsfeste
- B Ledningsklemme
- C Sikkerhetsbryter
- D Utløsningsbryter
- E Gressoppsamler
- F "Gressoppsamler full"-indikator
- G Festevingemutter
- H Transporthåndtak
- J Ventilasjonsåpninger
- K Bakre vern

SIKKERHET

GENERELLE SIKKERHETSANVISNINGER

! OBS! Les gjennom alle advarslene og anvisningene.

Feil ved overholdelsen av advarslene og nedenstående anvisninger kan medføre elektriske støt, brann og/eller alvorlige skader. **Ta godt vare på alle advarslene og informasjonene.** Det nedenstående anvendte uttrykket "elektroverktøy" gjelder for strømdrevne elektroverktøy (med ledning) og batteridrevne elektroverktøy (uten ledning).

1) SIKKERHET PÅ ARBEIDSPLASSEN

- a) **Hold arbeidsområdet rent og ryddig.** Rotete arbeidsområder eller arbeidsområder uten lys kan føre til ulykker.
- b) **Ikke arbeid med maskinen i eksplosjonsutsatte omgivelser – der det finnes seg brennbare væsker, gass eller støv.** Elektroverktøy lager gnister som kan antenne støv eller damper.

- c) **Hold barn og andre personer unna når elektroverktøyet brukes.** Hvis du blir forstyrret under arbeidet, kan du miste kontrollen over maskinen.

2) ELEKTRISK SIKKERHET

- a) **Støpselet til maskinen må passe inn i stikkkontakten. Støpselet må ikke forandres på noen som helst måte. Ikke bruk adapterstøpsler sammen med jordede maskiner.** Bruk av støpsler som ikke er forandret på og passende stikkontakter reduserer risikoen for elektriske støt.
- b) **Unngå kroppskontakt med jordede overflater slik som rør, ovner, komfyrer og kjøleskap.** Det er større fare ved elektriske støt hvis kroppen din er jordet.
- c) **Hold maskinen unna regn eller fuktighet.** Dersom det kommer vann i et elektroverktøy, øker risikoen for elektriske støt.
- d) **Ikke bruk ledningen til andre formål, f.eks. til å bære maskinen, henge den opp eller trekke den ut av stikkkontakten. Hold ledningen unna varme, olje, skarpe kanter eller maskindeler som beveger seg.** Med skadede eller opphopede ledninger øker risikoen for elektriske støt.
- e) **Når du arbeider utendørs med et elektroverktøy, må du kun bruke en skjøteledning som er godkjent til utendørs bruk.** Når du bruker en skjøteledning som er egnet for utendørs bruk, reduseres risikoen for elektriske støt.
- f) **Hvis det ikke kan unngås å bruke elektroverktøyet i fuktige omgivelser, må du bruke en jordfeilbryter.** Bruk av en jordfeilbryter reduserer risikoen for elektriske støt.

3) PERSONSIKKERHET

- a) **Vær oppmerksom, pass på hva du gjør, gå fornuftig frem når du arbeider med et elektroverktøy. Ikke bruk maskinen når du er trett eller er påvirket av narkotika, alkohol eller medikamenter.** Et øyeblikks uoppmerksomhet ved bruk av maskinen kan føre til alvorlige skader.
- b) **Bruk personlig verneutstyr og husk alltid å bruke vernebriller.** Bruk av personlig sikkerhetsutstyr som støvmaske, skilfaste arbeidssko, hjelm eller hørselvern – avhengig av type og bruk av elektroverktøyet – reduserer risikoen for skader.
- c) **Unngå å starte verktøyet ved en feiltagelse. Forviss deg om at elektroverktøyet er slått av før du kobler det til strømmen og/eller batteriet, løfter det opp eller bærer det.** Hvis du holder fingeren på bryteren når du bærer elektroverktøyet eller kobler elektroverktøyet til strømmen i innkoblet tilstand, kan dette føre til uhell.
- d) **Fjern innstillingsverktøy eller skrunokler før du slår på elektroverktøyet.** Et verktøy eller en nøkkel som befinner seg i en roterende maskindel, kan føre til skader.
- e) **Ikke overvurder deg selv. Sørg for å stå stødig og i balanse.** Dermed kan du kontrollere maskinen bedre i uventede situasjoner.
- f) **Bruk alltid egnede klær. Ikke bruk vide klær eller smykker. Hold hår, tøy og hansker unna deler som beveger seg.** Løstsittende tøy, smykker eller langt hår kan komme inn i deler som beveger seg.
- g) **Hvis det kan monteres støvavsug- og oppsamlingsinnretninger, må du forvisse deg om**

- at disse er tilkoblet og brukes på korrekt måte. Bruk av et støvavsug reduserer faren på grunn av støv.
- 4) **AKTSOM HÅNDTERING OG BRUK AV ELEKTROVERKTØY**
- Ikke overbelast maskinen. Bruk et elektroverktøy som er beregnet til den type arbeid du vil utføre.** Med et passende elektroverktøy arbeider du bedre og sikrere i det angitte effektområdet.
 - Ikke bruk elektroverktøy med defekt på-/avbryter.** Et elektroverktøy som ikke lenger kan slås av eller på, er farlig og må repareres.
 - Trekk støpselet ut av stikkkontakten og/eller fjern batteriet før du utfører innstillinger på elektroverktøyet, skifter tilbehørsdeler eller legger maskinen bort.** Disse tiltakene forhindrer en utilsiktet startung av maskinen.
 - Elektroverktøy som ikke er i bruk må oppbevares utilgjengelig for barn. Ikke la maskinen brukes av personer som ikke er fortrolig med dette eller ikke har lest disse anvisningene.** Elektroverktøy er farlige når de brukes av uerfarne personer.
 - Vær nøye med vedlikeholdet av maskinen. Kontroller om bevegelige maskindeler fungerer feilfritt og ikke klemmes fast, og om deler er brukket eller skadet, slik at dette innvirker på maskinens funksjon. La skadede deler repareres før maskinen brukes.** Dårlig vedlikeholdte elektroverktøy er årsaken til mange uhell.
 - Hold skjæreverktøyene skarpe og rene.** Godt stelte skjæreverktøy med skarpe skjær setter seg ikke så ofte fast og er lettere å føre.
 - Bruk elektroverktøy, tilbehør, verktøy osv. i henhold til disse anvisningene. Ta hensyn til arbeidsforholdene og arbeidet som skal utføres.** Bruk av elektroverktøy til andre formål enn det som er angitt kan føre til farlige situasjoner.
- 5) **SERVICE**
- Maskinen din skal alltid kun repareres av kvalifisert fagpersonale og kun med originale reservedeler.** Slik opprettholdes maskinens sikkerhet.

SPESIFIKKE SIKKERHETSINSTRUKSJONER FOR PLENKLIPPERE

FORKLARING AV SYMBOLER PÅ VERKTØY

- Les instruksjonsboken før bruk
- Dobbeltisolert (ikke nødvendig med jordingsleder)
- Vær oppmerksom på risikoen for skade som følge av restmateriale som kastes ut** (hold avstand til forbi passerende)
- Pass deg for skarpe kniver
- Hold (skjote)ledningen borte fra de roterende skjærekniven
- Skjærekniven fortsetter å rotere en kort stund etter at maskinen er slått av (**ikke rør den roterende kniven**)
- Slå av og koble ut støpselet før rengjøring/vedlikehold eller hvis (skjote-)ledningen er skadet eller floket.
- Kast aldri verktøy i husholdningsavfall

GENERELL

- Ikke bruk klipperen på våt plen
- Brukeren er ansvarlig for ulykket eller faren som skjer

- med andre mennesker eller deres eiendom
- Bruk aldri verktøyet med defekt bakre vern eller defekt gressoppsamler
- Når du bruker verktøyet uten gressoppsamleren, pass på at bakre vern er i lukket posisjon (**risiko for skade som følge av roterende skjærekniv**)
- Ta alltid ut støpselet fra strømkilden
 - når verktøyet forlades uten tilsyn
 - før du fjerner materiale som har satt seg fast
 - før du sjekker, rengjør eller arbeider med verktøyet
 - etter at du har truffet en fremmed gjenstand
 - når verktøyet begynner å vibrere unormalt

ELEKTRISK SIKKERHET

- Sjekk ledningen regelmessig, og få den skiftet ut af en anerkendt fagmand hvis skadd
- Når verktøyet brukes i fuktige miljøer, bruk en reststrømenhet (RCD) med utløsningsstrøm på maks. 30 mA
- Bruk helt utrullet og sikker skjoteledning med en kapasitet på 16 A
- Bruk bare skjoteledninger av type H05VV-F eller H0FRN-F som er beregnet for bruk utendørs og som er utstyrt med vannrett stikk-kontakt
- Ikke kjør over, knuse eller trekke i (skjote-)ledningen
- Beskytt (skjote-)ledningen mot varme, olje og skarpe kanter
- Inspiser skjoteledningen med jevne mellomrom og skift den hvis den er skadet (**det kan være farlig å bruke uegnede skjoteledninger**)

PERSONSIKKERHET

- Ikke bruk verktøyet når du er barfott eller har på deg åpne sandaler; bruk alltid solide sko og langbukser
- Gjør deg kjent med kontrollene og riktig bruk av verktøyet
- Klipp aldri gresset i direkte nærhet av personer (spesielt barn) og dyr
- Hold alltid hender og føtter unna roterende deler**
- Hold deg unna utløpsåpningen til enhver tid.**
- Slå på motoren i henhold til instruksjoner og med føttene godt unna skjærekniven
- Dele verktøyet må ikke brukes av barn eller personer med fysiske eller sansesmessige handicap, eller som er mentalt tilbakestående, eller mangler erfaring og kunnskaper, med mindre de er under tilsyn og får opplæring i bruk av verktøyet av en person som er ansvarlig for sikkerheten deres** (lokale forskrifter kan begrense operatørens alder)
- Sørg for at barn ikke får anledning til å leke med verktøyet
- Bruk klipperen kun i gåhastighet (ikke løp med den)
- Ha godt grep i underlaget i bakker og ikke klipp gress i ekstremt bratte bakker
- Vær ekstremt forsiktig når du går baklengs eller trekker klipperen mot deg

FØR BRUK

- Sjekk at verktøyet er i funksjonell stand før det tas i bruk; hvis verktøyet er defekt, skal det alltid repareres av fagfolk; du må aldri åpne verktøyet selv
- Sjekk området grundig der klipperen skal brukes og fjern alle harde gjenstander som kan fanges opp og kastes omkring av kuttemekanismen
- Pass alltid på at kuttemekanismen er i god stand (få byttet ut slitte eller skadde deler)
- Sørg for at alle mutrer, bolter og skruer er stramme for å sikre at klipperen virker som den skal

UNDER BRUK

- Klipp gress bare når det er nok dagslys eller når det er tilstrekkelig kunstig belysning
- Ikke vipp verktøyet når du starter eller slår på motoren, bortsett fra hvis den må vippes for å starte i langt gress (i så fall må den ikke vippes mer enn helt nødvendig, og bare den delen som er lengst unna brukeren); sørg alltid for at begge hender er i driftsstilling før verktøyet settes net på bakken igjen
- Pass på at skjærebladet står helt stille når verktøyet vippes for å krysse andre typer underlag enn gress og når den transporteres til og fra området som skal klippes
- Klipp på langs over hellinger (aldri opp og ned)
- Vær ekstremt forsiktig når du skifter retning i hellinger
- Løft aldri opp og bær aldri gressklipperen når motoren går
- Slå alltid av verktøyet og trekk ut støpselet fra strømkilden hvis strømledningen eller skjøteledningen kuttes over, skades eller sammenfrittes (**ikke rør ledningen før du trekker du støpselet**)
- Bruk ikke verktøyet dersom kabel er skadet; få den skiftet ud af en anerkendt fagmand

BRUK

- Ledningsfeste ⑫
 - hekt løkken i skjøteledningen over feste A som vist
 - trekk stramt for å feste skjøteledningen
- Justering av kutte høyde (28-48-68 mm) ⑬
 - ! **ta ut støpselet fra strømkilden og pass på at saksbladet har sluttet å rotere**
 - snu gressklipperen oppned
 - still forhjulaksel så vel som bakhjulaksel i ønsket skjærehøyde (28, 48 eller 68 mm)
 - ! **pass på at de fire hjulene er festet i samme skjærehøyde**
- Av/på sikkerhetsbryter ⑭
 - Hindrer at verktøyet slås på utilsiktet
 - slå på verktøyet ved først å trykke på sikkerhetsbryteren C og deretter på utløsningsbryteren D
 - slå av verktøyet ved å slippe utløserbryteren D
 - ! **når du har slått av verktøyet, fortsetter knivene å rotere i noen sekunder**
- Driftsinstruksjoner
 - hold gressklipperen med begge hender
 - sett gressklipperen nederst på gressplenen og beveg deg forover
 - rygg i enden av hver sving, og overlapp såvidt forrige kutteremse
 - bruk klipperen bare på tørt gress
 - hold gressklipperen borte fra harde gjenstander og planter
 - for å klippe langt gress, sett først kuttemekanismen til maks. kutte høyde, deretter til en lavere kutte høyde
 - ! **juster gangtempoet når du klipper langt gress**
- "Gressoppsamler full"-indikator ⑮
 - tøm gressoppsamleren E straks klaffen F senker seg og indikerer at gressoppsamleren er full
 - for optimal gressoppsamlingsfunksjon skal du regelmessig rengjøre hullene under klaffen F med en kost
- Oppbevaring ⑯
 - for å spare lagringsplass, legg ned håndtaket (med

vingemutteren G) og sett maskinen som vist; **tøm**

først gressoppsamleren

! pass på at (skjøte-)ledningen ikke sitter fast når du legger sammen/trekker ut håndtaket (ikke slipp håndtaket)

- ikke sett andre gjenstander på toppen av gressklipperen når den lagres
- oppbevar gressklipperen innendørs, på et tørt sted

VEDLIKEHOLD / SERVICE

- Dette verktøyet er ikke beregnet på profesjonell bruk
 - Hold alltid verktøyet og kabelen ren (spesielt ventilasjonshullene J ③)
 - Rens gressklipperen etter bruk med håndbørste og en myk klut
 - ! **ikke bruk vann (spesielt ikke høytrykkvæske)**
 - fjern sammentrykt gress fra rundt klingene med et redskap av tre eller plast
 - Sjekk oppsamlingsposen regelmessig for slitasje eller skade
 - Sjekk med jevne mellomrom for slitte eller skadede kniver og bolter og skift dem alle samtidig for å ivareta balansen
 - Bytt skjærekniven ⑰
 - ! **trekk ut støpselet fra strømkilden og ta av gressoppsamleren E ③**
 - ! **bruk verneshansker**
 - snu gressklipperen oppned
 - fjern/monter skjærekniven ved hjelp av en 13 mm fastnøkkelen som vist
 - ! **bruk kun reservedskjærekniver av riktig type (SKIL reservedelnummer 2610Z04069, merket YAT 474 552)**
 - rengjør skaftområdet grundig og undersiden av maskinen før du monterer skjærekniven
 - ! **ved montering av skjærekniven, pass på at de to hullene X passer helt til de to tappene Y**
 - Hvis elektroverktøyet til tross for omhyggelige produksjons- og kontrollmetoder en gang skulle svikte, må reparasjonen utføres av et autorisert serviceverksted for SKIL-elektroverktøy
 - send verktøyet i **montert** tilstand sammen med kjøpebevis til forhandleren eller nærmeste SKIL servicesenter (adresser liksom service diagram av verktøyet finner du på www.skil.com)
- ## FEILSØKING
- Følgende liste viser problemsymptomer, mulige årsaker og korrigerende tiltak (hvis ikke disse identifiserer og utbedrer problemet, ta kontakt med forhandler eller serviceavdeling).
 - ! **slå av verktøyet og ta ut støpselet før du undersøket hva problemet er**
 - ★ Verktøyet virker ikke
 - ingen strømforsyning -> sjekk strømforsyningen (strømkabel, brytere, sikringer)
 - defekt strømkontakt -> bruk et annet uttak
 - skjøteledning skadet -> skift skjøteledningen
 - gress for høyt -> øk kutte høyden og vipp maskinen
 - ★ Verktøyet virker ujevnt
 - skjøteledning skadet -> skift skjøteledningen
 - innvendig krets defekt -> kontakt forhandler/ serviceavdeling

- ★ Maskinen klipper ujevnt eller motoren lugger
 - skjærehøyden for lav -> øk skjærehøyde
 - skjærkniv er sløv -> bytt skjærkniven
 - undersiden av maskinen tilstoppet -> rens maskinen
 - skjærehøyde ikke jevn -> still de 4 hjulene i samme skjærehøyde
- ★ Skjærkniv roterer ikke
 - skjærkniv blokkert -> fjern det som blokkerer
 - knivmutter/bolt løs -> stram knivmutter/bolt
- ★ Verktøyet vibrerer unormalt mye
 - skjærkniv er skadet -> bytt skjærkniven
 - knivmutter/bolt løs -> stram knivmutter/bolt

MILJØ

- **Kast aldri elektroverktøy, tilbehør og emballasje i husholdningsavfallet** (kun for EU-land)
 - i henhold til EU-direktiv 2002/96/EF om kasserte elektriske og elektroniske produkter og direktivets iverksetting i nasjonal rett, må elektroverktøy som ikke lenger skal brukes, samles separat og returneres til et miljøvennlig gjenvinningsanlegg
 - symbolet (1) er påtrykt som en påminnelse når utskiftning er nødvendig

CE SAMSVARERKLÆRING

- Vi erklærer som eneansvarlig at produktet som beskrives under "Tekniske data" stemmer overens med følgende normer eller normative dokumenter: EN 60335, EN 61000, EN 55014 jf. bestemmelsene i direktivene 2006/95/EF, 2004/108/EF, 2006/42/EF, 2000/14/EF, 2011/65/EU
- **Tekniske underlag hos:** SKIL Europe BV (PT-SEU/ENG1), 4825 BD Breda, NL

Marijn van der Hoofden Olaf Dijkgraaf
Operations & Engineering Approvals Manager




SKIL Europe BV, 4825 BD Breda, NL
25.07.2013

CE12

STØY/VIBRASJON

- Målt ifølge EN 60335 er lydtryknivået av dette verktøyet 73 dB(A) og lydstryknivået 93 dB(A) (standard deviasjon: 1,5 dB), og vibrasjonsnivået 2,5 m/s² (hånd-arm metode; usikkerhet K = 1,5 m/s²)
- Målt ifølge 2000/14/EC (EN/ISO 3744) er garantert lydstryknivået LWA lavere enn 94 dB(A) (samsvarsbedømmelsesmetode jf. vedlegg VI)
Anmeldt organ: KEMA, Arnhem, NL
ID-nummer hos anmeldt organ: 0344
- Det avgitte vibrasjonsnivået er blitt målt i samsvar med en standardisert test som er angitt i EN 60335; den kan brukes til å sammenligne et verktøy med et annet, og som et foreløpig overslag over eksponering for vibrasjoner ved bruk av verktøyet til de oppgavene som er nevnt
 - bruk av verktøyet til andre oppgaver, eller med annet eller mangelfullt vedlikeholdt utstyr, kan gi en vesentlig økning av eksponeringsnivået
 - tidsrommene når verktøyet er avslått eller når det går

men ikke arbeider, kan gi en vesentlig **reduksjon** av eksponeringsnivået

! beskytt deg selv mot virkningene av vibrasjoner ved å vedlikeholde verktøyet og utstyret, holde hendene varme og organisere arbeidsmåten din

FIN

Ruohonleikkuri

0715

ESITTELY

- Tämä työkalu on tarkoitettu ainoastaan nurmikoneiden leikkaamiseen kotona
- Tämä työkalua ei ole tarkoitettu ammattikäyttöön
- Varmista, että pakkaus sisältää kaikki osat, jotka näkyvät piirroksessa (2)
- Jos osia puuttuu tai on vioittunut, ota yhteyttä jälleenmyyjään
- Kokoonpano-ohjeet (2)
 - kuvassa esiintyvä numerorjestyks vastaa ruohonleikkurin kokoamisessa noudatettavaa vaihejärjestystä
- **! kiristä kunnolla kaikki ruuvit ja mutterit**
- Lue tämä ohjekirja huolella ennen käyttöä ja pidä se tallella tulevia tarpeita varten (4)

TEKNISET TIEDOT (1)

LAITTEEN OSAT (3)

- A Johtosuojus
- B Johdon kiinnike
- C Turvakytkin
- D Kytkin
- E Ruohosäiliö
- F "Ruohosäiliö täynnä" -merkkivalo
- G Kiinnityssiipimutteri
- H Kuljetuskahva
- J Ilmanvaihto-aukot
- K Takasuojus

TURVALLISUUS

YLEISET TURVALLISUUSOHJEET

⚠ HUOMIO! Lue kaikki turvallisuus- ja muut ohjeet. Turvallisuusohjeiden noudattamisen laiminlyönti saattaa johtaa sähköiskuun, tulipaloon ja/tai vakavaan loukkaantumiseen. **Säilytä kaikki turvallisuus- ja muut ohjeet tulevaisuutta varten.** Turvallisuusohjeissa käytetty käsite "sähkötyökalu" käsittää verkkokäyttöisiä sähkötyökaluja (verkkohdollia) ja akkukäyttöisiä sähkötyökaluja (ilman verkkojohtoa).

1) TYÖPAIKAN TURVALLISUUS

- a) **Pidä työskentelyalue puhtaana ja hyvin valaistuna.** Työpaikan epäjärjestys tai valaisemattomat työalueet voivat johtaa tapaturmiin.
- b) **Älä työskentele sähkötyökalulla räjähdyssaltonne ympäristössä, jossa on palavaa nestettä, kaasua**

- tai pölyä. Sähkötyökalu muodostaa kipinöitä, jotka saattavat sytyttää pölyn tai höyryt.
- c) **Pidä lapset ja sivulliset loitolla sähkötyökalua käyttäessäsi.** Voit menettää laitteitse hallinnan, huomiosi suuntautuessa muualle.
- 2) **SÄHKÖTURVALLISUUS**
- a) **Sähkötyökalun pistotulpan tulee sopia pistorasiaan.** Pistotulppaa ei saa muuttaa millään tavalla. Älä käytä mitään pistorasia-adaptoreita maadoitettujen sähkötyökalujen kanssa. Alkuperäisessä kunnossa olevat pistotulpat ja sopivat pistorasiat vähentävät sähköiskun vaaraa.
- b) **Vältä koskettamasta maadoitettuja pintoja, kuten putkia, pattereita, liesiä tai jääkaappeja.** Sähköiskun vaara kasvaa, jos kehosi on maadoitettu.
- c) **Älä aseta sähkötyökalua alttiiksi sateelle tai kosteudelle.** Veden tunkeutuminen sähkötyökalun sisään kasvattaa sähköiskun riskiä.
- d) **Älä käytä verkkojohtoa väärin. Älä käytä sitä sähkötyökalun kantamiseen, vetämiseen tai pistotulpan irrottamiseen pistorasiasta. Pidä johto loitolla kuumuudesta, öljystä, terävistä reunoista ja liikkuvista osista.** Vahingoittuneet tai sotkeutuneet johdot kasvattavat sähköiskun vaaraa.
- e) **Käyttäessäsi sähkötyökalua ulkona, käytä ainoastaan ulkokäyttöön soveltuvaa jatkojohtoa.** Ulkokäyttöön soveltuvan jatkojohdon käyttö pienentää sähköiskun vaaraa.
- f) **Jos sähkötyökalun käyttö kosteassa ympäristössä ei ole vältettävissä, tulee käyttää maavuotokatkaisijaa.** Maavuotokatkaisijan käyttö vähentää sähköiskun vaaraa.
- 3) **HENKILÖTURVALLISUUS**
- a) **Ole valpas, kiinnitä huomiota työskentelyysi ja noudata tervettä järkeä sähkötyökalua käyttäessäsi. Älä käytä sähkötyökalua, jos olet väsynyt tai huumeiden, alkoholin tai lääkkeiden vaikutuksen alaisena.** Hetken tarkkaamattomuus sähkötyökalua käytettäessä, saattaa johtaa vakavaan loukkaantumiseen.
- b) **Käytä suojarusteita. Käytä aina suojalaseja.** Henkilökohtaisen suojarustuksen käyttö, kuten pölynaamarin, luistamattomien turvakengien, suojakypärän tai kuulonsuojaimien, riippuen sähkötyökalun lajista ja käyttötavasta, vähentää loukaantumisriskiä.
- c) **Vältä tahatonta käynnistämistä. Varmista, että sähkötyökalu on poiskytkettyä, ennen kuin liität sen sähköverkkoon ja/tai liität akun, otat sen käteen tai kannat sitä.** Jos kannat sähkötyökalua sormi käynnistyskytkimellä tai kytket sähkötyökalun pistotulpan pistorasiaan, käynnistyskytkimen ollessa käyntiasennossa, altistat itsesi onnettomuuksille.
- d) **Poista kaikki säätötyökalut ja ruuvitalat, ennen kuin käynnistät sähkötyökalun.** Työkalu tai avain, joka sijaitsee laitteen pyöriässä osassa, saattaa johtaa loukkaantumiseen.
- e) **Älä ylläriivio itseäsi. Huolehdi aina tukevasta seisoma-asennosta ja tasapainosta.** Täten voit paremmin hallita sähkötyökalua odottamattomissa tilanteissa.
- f) **Käytä tarkoitukseen soveltuvia vaatteita. Älä käytä**

- löysiä työvaatteita tai koruja. Pidä hiukset, vaatteet ja käsiineet loitolla liikkuvista osista.** Väljät vaatteet, korut ja pitkät hiukset voivat takertua liikkuviin osiin.
- g) **Jos pölynimu- ja keräilylaitteita voidaan asentaa, tulee sinun tarkistaa, että ne on liitetty ja että ne käytetään oikealla tavalla.** Pölynimulaitteiston käyttö vähentää pölyn aiheuttamia vaaroja.
- 4) **SÄHKÖTYÖKALUJEN JÄTTO JA HOITO**
- a) **Älä ylikuormita laitetta. Käytä kyseiseen työhön tarkoitettua sähkötyökalua.** Sopivaa sähkötyökalua käyttäen työskentelet paremmin ja varmemmin tehoalueella, jolle sähkötyökalu on tarkoitettu.
- b) **Älä käytä sähkötyökalua, jota ei voida käynnistää ja pysäyttää käynnistyskytkimestä.** Sähkötyökalu, jota ei enää voida käynnistää ja pysäyttää käynnistyskytkimellä, on vaarallinen ja se täytyy korjata.
- c) **Irrota pistotulppa pistorasiasta, ennen kuin suoritat säätöjä, vaihdat tarvikkeita tai siirät sähkötyökalun varastoitavaksi.** Nämä turvatoimenpiteet pienentävät sähkötyökalun tahattoman käynnistysriskin.
- d) **Säilytä sähkötyökalut poissa lasten ulottuvilta, kun niitä ei käytetä. Älä anna sellaisten henkilöiden käyttää sähkötyökalua, jotka eivät tunne sitä tai jotka eivät ole lukeneet tätä käyttöohjetta.** Sähkötyökalut ovat vaarallisia, jos niitä käyttävät kokemattomat henkilöt.
- e) **Hoida sähkötyökalusi huolella. Tarkista, että liikkuvat osat toimivat moitteettomasti, eivätkä ole puristuksessa sekä, että siinä ei ole murtuneita tai vahingoittuneita osia, jotka saattaisivat vaikuttaa haitallisesti sähkötyökalun toimintaan. Anna korjauttaa mahdolliset viat ennen käyttöönottoa.** Monen tapaturman syyt löytyvät huonosti huolletuista laitteista.
- f) **Pidä leikkausterät terävinä ja puhtaina.** Huolellisesti hoidetut leikkaustyökalut, joiden leikkausreunat ovat teräviä, eivät tartu helposti kiinni ja niitä on helpompi hallita.
- g) **Käytä sähkötyökaluja, tarvikkeita, vaihtotyökaluja jne. näiden ohjeiden mukaisesti. Ota tällöin huomioon työolosuhteet ja suoritettava toimenpide.** Sähkötyökalun käyttö muuhun kuin sille määrättyyn käyttöön, saattaa johtaa vaarallisiin tilanteisiin.
- 5) **HUOLTO**
- a) **Anna koulutettujen ammattihenkilöiden korjata sähkötyökalusi ja hyväksy korjauksiin vain alkuperäisiä varaosia.** Täten varmistat, että sähkötyökalu säilyy turvallisena.

ERITYISIÄ TURVAOHJEITA RUOHONLEIKKUREIDEN KÄSITTELYN

TYÖKALUN SYMBOLIEN SELITYKSET

- ④ Lue käyttöohjeet ennen käyttöä
- ⑤ Kaksoiseristys (ei tarvita maaohjtoa)
- ⑥ **Huomioi lentävistä roskista johtuva loukkaantumisriski** (pidä sivulliset turvallisen matkan päässä työskentelyalueelta)
- ⑦ Varo teräviä teriä
- ⑧ Pidä (jatko)johto poissa pyöriävän leikkuuterän läheltä
- ⑨ Leikkuuterä pyörii vielä vähän aikaa työkalun sammuttamisen jälkeen (älä koske pyöriivään terään)

- ⑩ Katkaise työkalusta virta ja irrota pistoke ennen sen puhdistusta/huoltoa tai jos johto (tai jatkojohto) on vioittunut tai tarttunut kiinni
- ⑪ Älä hävitä konettasi tavallisen kotitalousjätteen mukana

YLEISTÄ

- Vältä ruohonleikkurin käyttöä märällä nurmikolla
- Käyttäjää vastaa tapaturmista tai vaaratilanteista, joita aiheutuu muille ihmisille tai heidän omaisuudelleen
- Älä koskaan käytä työkalua, jos takasuojus tai ruohosäiliö on viollinen
- Jos käytät työkalua ilman ruohosäiliötä, varmista, että takasuojus on suljettuna (**pyörivästä leikkuuterästä aiheutuva loukkaantumisriski**)
- Irrota aina pistoke virtalähteestä
 - kun työkalu jää valvomatta
 - ennen tukoksen muodostaneen materiaalin poistamista
 - ennen työkalun tarkistamista, puhdistusta tai käyttöä
 - jos osut vieraaseen esineeseen
 - jos työkalu alkaa täräistä normaalia poikkeavalla tavalla

SÄHKÖTURVALLISUUS

- Tarkista johto ajoittain ja vaan toimita se valtuutettuun huoltoliikkeeseen, kun johto on vioittunut
- Kun käytät työkalua kosteassa ympäristössä, käytä vikavirtakytkintä (RCD), jonka laukaisuvirta on enintään 30 mA
- Käytä täysin rullaamattomia ja turvallisia jatkejohtoja, joiden kapasiteetti on 16 ampeeria
- Käytä vain ulkona käytettävää jatkojohdotyyppiä H05VV-F tai H05RN-F, jotka on varustettu vesitiiviillä pistokkeella ja liittimellä
- Älä juokse (jatko)johdon yli, murskaa sitä tai vedä siitä
- Pidä (jatko)johto poissa lämpölähteiden, öljyn ja terävien reunojen läheltä
- Tarkista jatkojohto säännöllisesti ja vaihda se, jos se on vioittunut (**violliset jatkojohdot voivat olla vaarallisia**)

HENKILÖTURVALLISUUS

- Älä käytä työkalua paljain jaloin tai avoimet sandaalit jalassa; käytä aina tukevia kenkiä ja pitkiä housuja
- Varmista, että osaat varmasti ohjata työkalua ja käyttää sitä asianmukaisesti
- Älä koskaan leikkaa nurmikkoa aivan lähellä ihmisiä (etenkään lapsia) ja eläimiä
- **Pidä kädet ja jalat aina poissa pyörivien osien läheltä**
- **Pysy aina poissa tyhjennysaukon luota**
- Käynnistä moottori ohjeiden mukaan ja pidä jalkasi poissa leikkuuterän luota
- **Tätä työkalua ei ole tarkoitettu henkilöiden käyttöön (mukaan lukien lapset), joiden fyysinen, sensorinen tai henkinen viireys on rajoittunut tai joilla ei ole kokemusta tai tietämystä, ellei heidän turvallisuudestaan vastaava henkilö ole antanut heille ohjausta tai koulutusta työkalun käytössä** (paikalliset määräykset voivat rajoittaa käyttäjän ikää)
- Varmista, etteivät lapset leiki laitteella
- Käytä leikkuria ainoastaan kävelyvauhdilla (älä juokse)
- Varmista tukeva jalansija rinteissä, äläkä leikkaa nurmikkoa erittäin jyrkissä rinteissä
- Ole äärimmäisen varovainen leikatessasi taaksepäin tai vetäessäsi leikkuria itseäsi kohti

ENNEN KÄYTTÖÄ

- Tarkista työkalun toiminta aina ennen sen käyttöä ja mahdollisen vian löytyessä anna se välittömästi

ammattitaitoisen henkilön korjattavaksi; älä koskaan itse avaa työkalua

- Tarkista huolellisesti alue, jolla ruohonleikkuria on tarkoitus käyttää, ja poista kaikki terävät esineet, jotka voisivat tarttua leikkuulaitteistoon ja lentää sivuun
- Varmista aina, että leikkuulaitteisto on hyvässä käyttökunnossa (korjauta kuluneet tai vaurioituneet osat)
- Pidä kaikki mutterit, pulitit ja ruuvit tiukalla varmistaaksesi, että leikkuri on turvallisessa käyttökunnossa

KÄYTÖN AIKANA

- Leikkaa nurmikkoa ainoastaan riittävän valoisalla tai käytä asianmukaista keinovalaistausta
- Älä kallista työkalua käynnistäessäsi moottoria tai kytkiessäsi siihen virtaa, paitsi jos työkalua on pakko kallistaa sen käynnistämiseksi pitkäksi kasvaneella nurmikolla (älä siinä tapauksessa kallista enempää kuin on ehdottomasti tarpeen, ja kallista ainoastaan sitä osaa, joka osoittaa poisjän käyttäjästä); varmista aina, että molemmat kädet ovat käyttöasennossa, ennen kuin lasket työkalun takaisin maahan
- Varmista, että leikkuuterä on kokonaan pysähtynyt, kun kallistat työkalua yllittääksesi muita pintoja kuin nurmikkoa ja kun kuljetat sitä leikattavalle alueelle ja pois sieltä
- Leikkaa rinteet poikkisuunnassa (ei koskaan pystysuunnassa)
- Ole äärimmäisen varovainen vaihtaessasi suuntaa rinteissä
- Älä koskaan nosta tai kannaa ruohonleikkuria moottorin käydessä
- Katkaise työkalusta aina virta ja irrota pistoke virtalähteestä, jos virtajohto tai jatkojohto katkeaa, vaurioituu tai jää jumiin (**älä koske johtoon ennen pistokkeen irrottamista**)
- Älä käytä työkalua, kun johto on vioittunut; vaan toimita se valtuutettuun huoltoliikkeeseen

KÄYTTÖ

- Johtosuojus ⑫
 - ripusta jatkojohdon silmukka suojuksen yläpuolelle A kuten kuvassa
 - varmista jatkojohdon kiinnitys vetämällä se tiukalle
- Leikkuukorkeuden asetus (28-48-68 mm) ⑬
 - ! **irrota pistoke virtalähteestä ja varmista, että leikkuuterä on lakannut pyörimästä**
 - käännä leikkuri ylösalaisin
 - säädä etu- ja takapyörien akseli haluttua leikkuukorkeutta vastaavalle korkeudelle (28, 48 tai 68 mm)
 - ! **varmista, että kaikki neljä rengasta on kiinnitetty samaa leikkuukorkeutta vastaaviin kohtiin**
- On/off turvakytkin ⑭
 - Estää työkalun kytkemisen päälle vahingossa
 - kytke työkalu päälle painamalla ensin turvakytkintä C ja vetämällä sitten käyttökytkintä D
 - sammuta työkalusta vapauttamalla kytkimestä D
 - ! **kun työkalusta on katkaistu virta, terä pyörii vielä muutaman sekunnin ajan**
- Käyttöohjeet
 - pidä leikkurista kiinni molemmin käsin
 - aseta leikkuri nurmikon reunaan ja leikkaa eteenpäin
 - käännä jokaisen käännöksen lopussa, ja leikkaa kaistale, joka menee hieman päällekkäin viimeksi leikatun kohdan kanssa

- käytä leikkuria ainoastaan kuivalla nurmikolla
- pidä leikkuri poissa terävien esineiden ja kasvien luota
- kun leikkaat pitkää ruohoa, säädä leikkuulaitteisto ensin maksimikorkeudelle ja sitten alemmas
- ! **säädä kävelyvauhti sopivaksi pitkää ruohoa leikatessasi**
- "Ruohosäiliö täynnä" -merkkivalo 15
- tyhennä ruohosäiliö E heti, kun läppä F laskeutuu itsestään merkiksi siitä, että ruohosäiliö on täynnä
- jotta ruohonkeruu olisi optimaalista, puhdista läpän alla olevat aukot F käsiharjalla
- Säilytys 16
- säästät huomattavasti säilytystilaa, kun taitat työkalun kahvan (siipimutterin G avulla) ja säilytät työkalua kuten kuvassa; **tyhennä ensin ruohosäiliö**
- ! **varmista, ettei (jatko)johto jää jumiin, kun taitat työkalun kahvaa kokoon tai auki (älä pudota kahvaa)**
- älä sijoita muita esineitä leikkurin päälle varastoinnin aikana
- säilytä leikkuri sisällä kuivassa paikassa

HOITO / HUOLTO

- Tätä työkalua ei ole tarkoitettu ammattikäyttöön
- Pidä työkalu ja johto puhtaina (varmista erityisesti ilmaukkojen puhtaus J 3)
- Puhdista leikkuri jokaisen käytön jälkeen käsiharjalla ja pehmeällä liinalla
- ! **älä käytä vettä (etenkään painesuihkuja)**
- poista teräalueelle tiiviisti pakkautuneet ruohokasat puisella tai muovisella työkalulla
- Tarkista ruohosäiliö säännöllisesti kulumisen tai vaurioiden varalta
- Tarkista terät ja pultit säännöllisesti kulumisen varalta ja vaihddata ne sarjoina tasapainoin säilyttämiseksi
- Leikkuuterän vaihtaminen 17
- ! **irrota pistoke virtalähteestä ja poista ruohosäiliö E 3**

! käytä suojahanskoja

- käännä leikkuri ylösalaisin
- irrota/asenna leikkuuterä kiintoavaimella 13 kuten kuvassa

! käytä ainoastaan oikeanlaisia leikkuuteriä (SKIL-varaosanumero 2610Z04069, merkintä YAT 474 552)

- puhdista akselin alue ja työkalun alapuoli huolellisesti ennen leikkuuterän asentamista

! kun asennat leikkuuterää, varmista, että molemmat reiät X sopivat täydellisesti tappeihin Y

- Jos sähkötyökalussa, huolellisesta valmistuksesta ja koestusmenettelystä huolimatta esiintyy vikaa, tulee korjaus antaa SKIL sopimushuollon tehtäväksi
- toimita työkalu sitä osiin **purkamatta** lähimpään SKIL-huoltoon (osoitteet ja työkalun huoltokaava ovat tarjolla web-osoitteessa www.skil.com) ostotodiste mukaan liitettynä

VIANMÄÄRITYS

- Seuraavassa luetellaan ongelmien oireita, mahdollisia syitä ja korjaustoimia (jos ongelma ei selviä ja korjaannu näiden avulla, ota yhteyttä jälleenmyyjään tai huoltoliikkeeseen)
- ! **sammuta työkalu ja irrota pistoke pistorasiasta ennen ongelman tutkimista**

- ★ Työkalu ei toimi
- ei tulovirtaa -> tarkista virtalähde (virtajohto, katkaisimet, sulakkeet)
- virtalähteen pistorasia viallinen -> käytä toista pistorasiaa
- jatkojohto viallinen -> vaihda jatkojohto
- ruoho liian pitkä -> suurena leikkuukorkeutta ja kallista työkalua
- ★ Työkalu toimii katkonaisesti
- jatkojohto viallinen -> vaihda jatkojohto
- sisäiset johdot viallisia -> ota yhteyttä jälleenmyyjään/huoltoliikkeeseen
- ★ Työkalu jättää epäsiistin jäljen tai moottori joutuu liian koville
- leikkuukorkeus liian matala -> suurena leikkuukorkeutta
- leikkuuterä tylsä -> vaihda leikkuuterä
- työkalun alapinta pahasti tukossa -> puhdista työkalu
- leikkuukorkeutta ei ole säädetty tasaisesti -> säädä 4 pyörää samalle leikkuukorkeudelle
- ★ Leikkuuterä ei pyöri
- leikkuuterä jumissa -> poista tukos
- terän mutteri/pultti löysällä -> kiristä terän mutteri/pultti
- ★ Työkalu tärisee erikoisesti
- leikkuuterä vaurioitunut -> vaihda leikkuuterä
- terän mutteri/pultti löysällä -> kiristä terän mutteri/pultti

YMPÄRISTÖNSUOJELU

- **Älä hävitä sähkötyökalua, tarvikkeita tai pakkausta tavallisen kotitalousjätteen mukana** (koskee vain EU-maita)
- vanhoja sähkö- ja elektroniikkalaitteita koskevan EU-direktiivin 2002/96/ETY ja sen maakohtaisten sovellusten mukaisesti käytetyt sähkötyökalut on toimitettava ongelmajätteen keräyspisteeseen ja ohjattava ympäristöstävälliseen kierrätykseen
- symboli 11 muistuttaa tästä, kun käytöstä poisto tulee ajankohtaiseksi

CE-VAAITIMUSTEN-MUKAISUUSVAKUUTUS

- Vakuutamme yksin vastaavamme siitä, että kohdassa "Tekniset tiedot" selostettu tuote vastaa seuraavia standardeja tai standardoituja asiakirjoja: EN 60335, EN 61000, EN 55014 direktiivien 2006/95/EY, 2004/108/EY, 2006/42/EY, 2000/14/EY, 2011/65/EU määräysten mukaan
- **Tekninen tiedosto kohdasta:** SKIL Europe BV (PT-SEU/ENG1), 4825 BD Breda, NL

Marijn van der Hoofden
Operations & Engineering

Olaf Dijkgraaf
Approvals Manager

SKIL Europe BV, 4825 BD Breda, NL
25.07.2013

CE12

MELU/TÄRINÄ

- Mitattuna EN 60335 mukaan työkalun melutaso on 73 dB(A) ja yleensä työkalun äänen voimakkuus on 93 dB(A) (keskihajonta: 1,5 dB), ja tärinän voimakkuus 2,5 m/s² (käsi-käsivarsi metodi; epävarmuus K = 1,5 m/s²)

- Mitattuna 2000/14/EY (EN/ISO 3744) mukaan taattu äänenvoimakkuustaso LWA on alle 94 dB(A) (yhteensopivuuden arviointimenetelmä liitteen VI mukaan)
 - Ilmoitettu tarkastuslaitos: KEMA, Arnhem, NL
Ilmoitetun tarkastuslaitoksen tunnistenumero: 0344
 - Tärinäsäteilytaso on mitattu standardin EN 60335 mukaisen standarditestin mukaisesti; sitä voidaan käyttää verrattaessa yhtä laitetta toiseen sekä alustavana tärinälle altistumisen arviona käytettäessä laitetta manituissa käyttötarkoituksissa
 - laitteen käyttö eri käyttötarkoituksiin tai erilaisten tai huonosti ylläpidettyjen lisälaitteiden kanssa voi **lisätä** merkittävästi altistumistasoa
 - laitteen ollessa sammuksissa tai kun se on käynnissä, mutta sillä ei tehdä työtä, altistumistaso voi olla huomattavasti **pienempi**
- ! suojaudu tärinän vaikutuksilta ylläpitämällä laite ja sen lisävarusteet, pitämällä kädet lämpiminä ja järjestämällä työmenetelmät**

E

Cortacésped

0715

INTRODUCCIÓN

- Esta herramienta está concebida sólo como cortacésped doméstico
- Esta herramienta no está concebida para uso profesional
- Compruebe que el paquete contiene todas las piezas según se ilustra en la figura ②
- Cuando faltan piezas o se dañan, póngase en contacto con su distribuidor
- Instrucciones de montaje ②
 - la secuencia de números que aparecen en el dibujo se corresponde con la secuencia de pasos que se deben seguir para montar el cortacésped
- ! apriete firmemente todos los tornillos y tuercas**
- Lea este manual de instrucciones cuidadosamente antes de utilizarlo y guárdelo para consultas futuras ④

DATOS TÉCNICOS ①

ELEMENTOS DE LA HERRAMIENTA ③

- A Limitación de cable
- B Clip para el cable
- C Interruptor de seguridad
- D Interruptor de gatillo
- E Cajón de hierba
- F Indicador de cajón de hierba lleno
- G Tuerca de orejetas para fijación
- H Empuñadura para transporte
- J Ranuras de ventilación
- K Protección trasera

SEGURIDAD

INSTRUCCIONES GENERALES DE SEGURIDAD

⚠ ¡ATENCIÓN! Lea íntegramente estas advertencias de peligro e instrucciones. En caso de no atenderse a las advertencias de peligro e instrucciones siguientes, ello puede ocasionar una descarga eléctrica, un incendio y/o lesión grave. **Guardar todas las advertencias de peligro e instrucciones para futuras consultas.** El término "herramienta eléctrica" empleado en las siguientes advertencias de peligro se refiere a herramientas eléctricas de conexión a la red (con cable de red) y a herramientas eléctricas accionadas por acumulador (o sea, sin cable de red).

1) SEGURIDAD DEL PUESTO DE TRABAJO

- a) **Mantenga limpia y bien iluminada su área de trabajo.** El desorden o una iluminación deficiente en las áreas de trabajo pueden provocar accidentes.
- b) **No utilice la herramienta eléctrica en un entorno con peligro de explosión, en el que se encuentren combustibles líquidos, gases o material en polvo.** Las herramientas eléctricas producen chispas que pueden llegar a inflamar los materiales en polvo o vapores.
- c) **Mantenga alejados a los niños y otras personas de su área de trabajo al emplear la herramienta eléctrica.** Una distracción le puede hacer perder el control sobre la herramienta.

2) SEGURIDAD ELÉCTRICA

- a) **El enchufe de la herramienta debe corresponder a la toma de corriente utilizada. No es admisible modificar el enchufe en forma alguna. No emplear adaptadores en herramientas dotadas con una toma de tierra.** Los enchufes sin modificar adecuados a las respectivas tomas de corriente reducen el riesgo de una descarga eléctrica.
- b) **Evite que su cuerpo toque partes conectadas a tierra como tuberías, radiadores, cocinas y refrigeradores.** El riesgo a quedar expuesto a una descarga eléctrica es mayor si su cuerpo tiene contacto con tomas de tierra.
- c) **No exponga las herramientas eléctricas a la lluvia o a condiciones de humedad.** Existe el peligro de recibir una descarga eléctrica si penetran líquidos en la herramienta.
- d) **No utilice el cable de red para transportar o colgar la herramienta, ni tire de él para sacar el enchufe de la toma de corriente. Mantenga el cable de red alejado del calor, aceite, esquinas cortantes o piezas móviles.** Los cables de red dañados o enredados pueden provocar una descarga eléctrica.
- e) **Al trabajar con la herramienta eléctrica en la intemperie utilice solamente cables de prolongación homologados para su uso en exteriores.** La utilización de un cable de prolongación adecuado para su uso en exteriores reduce el riesgo de una descarga eléctrica.
- f) **Si el funcionamiento de una herramienta eléctrica en un lugar húmedo fuese inevitable, utilice un cortacircuito de fuga a tierra.** El uso de un cortacircuito de fuga a tierra reduce el riesgo de descarga eléctrica.

3) SEGURIDAD DE PERSONAS

- a) **Esté atento y emplee la herramienta con prudencia. No utilice la herramienta eléctrica si estuviese cansado, ni bajo los efectos de alcohol, drogas o medicamentos.** El no estar atento durante el uso de una herramienta eléctrica puede provocarle serias lesiones.
- b) **Utilice un equipo de protección personal y en todo caso unas gafas de protección.** El riesgo a lesionarse se reduce considerablemente si, dependiendo del tipo y la aplicación de la herramienta eléctrica empleada, se utiliza un equipo de protección adecuado como una mascarilla antipolvo, zapatos de seguridad con suela antideslizante, casco, o protectores auditivos.
- c) **Evite una puesta en marcha fortuita. Asegurarse de que la herramienta eléctrica esté desconectada antes de conectarla a la toma de corriente y/o al montar el acumulador, al recogerla, y al transportarla.** Si transporta la herramienta eléctrica sujetándola por el interruptor de conexión/desconexión, o si introduce el enchufe en la toma de corriente con la herramienta eléctrica conectada, ello puede dar lugar a un accidente.
- d) **Retire las herramientas de ajuste o llaves fijas antes de conectar la herramienta eléctrica.** Una herramienta o llave colocada en una pieza rotativa puede producir lesiones graves al accionar la herramienta eléctrica.
- e) **Sea precavido. Trabaje sobre una base firme y mantenga el equilibrio en todo momento.** Ello le permitirá controlar mejor la herramienta eléctrica en caso de presentarse una situación inesperada.
- f) **Lleve puesta una vestimenta de trabajo adecuada. No utilice vestimenta amplia ni joyas. Mantenga su pelo, vestimenta y guantes alejados de las piezas móviles.** La vestimenta suelta, las joyas y el pelo largo se pueden enganchar con las piezas en movimiento.
- g) **Siempre que sea posible utilizar equipos de aspiración o captación de polvo, asegúrese que éstos estén montados y que sean utilizados correctamente.** El empleo de estos equipos reduce los riesgos derivados del polvo.

4) CUIDADO Y UTILIZACIÓN DE HERRAMIENTAS ELÉCTRICAS

- a) **No sobrecargue la herramienta. Use la herramienta prevista para el trabajo a realizar.** Con la herramienta adecuada podrá trabajar mejor y con mayor seguridad dentro del margen de potencia indicado.
- b) **No utilice herramientas con un interruptor defectuoso.** Las herramientas que no se puedan conectar o desconectar son peligrosas y deben repararse.
- c) **Saque el enchufe de la red y/o desmonte el acumulador antes de realizar un ajuste en la herramienta eléctrica, cambiar de accesorio o al guardar la herramienta eléctrica.** Esta medida preventiva reduce el riesgo de conectar accidentalmente la herramienta.
- d) **Guarde las herramientas fuera del alcance de los niños y de las personas que no estén familiarizadas con su uso.** Las herramientas utilizadas por personas inexpertas son peligrosas.

- e) **Cuide sus herramientas con esmero. Controle si funcionan correctamente, sin atascarse, las partes móviles de la herramienta, y si existen partes rotas o deterioradas que pudieran afectar al funcionamiento de la herramienta. Si la herramienta eléctrica estuviese defectuosa haga repararla antes de volver a utilizarla.** Muchos de los accidentes se deben a herramientas con un mantenimiento deficiente.
 - f) **Mantenga los útiles limpios y afilados.** Los útiles mantenidos correctamente se dejan guiar y controlar mejor.
 - g) **Utilice herramientas eléctricas, accesorios, útiles, etc. de acuerdo con estas instrucciones, teniendo en cuenta las condiciones de trabajo y la tarea a realizar.** El uso de herramientas eléctricas para trabajos diferentes de aquellos para los que han sido concebidas puede resultar peligroso.
- ### 5) SERVICIO
- a) **Únicamente haga reparar su herramienta eléctrica por un profesional, empleando exclusivamente piezas de repuesto originales.** Solamente así se mantiene la seguridad de la herramienta eléctrica.

INSTRUCCIONES DE SEGURIDAD ESPECÍFICAS PARA CORTACÉSPEDES

EXPLICACIÓN DE LOS SÍMBOLOS DE LA HERRAMIENTA

- ④ Lea el manual de instrucciones antes de utilizarla
- ⑤ Doble aislamiento (no requiere cable de tierra)
- ⑥ **Preste atención al riesgo de lesiones provocadas por la proyección de desechos** (mantenga a los transeúntes a una distancia de seguridad respecto al área de trabajo)
- ⑦ Tenga cuidado con las hojas afiladas
- ⑧ Mantenga el cable (de prolongación) alejado de la hoja giratoria de corte
- ⑨ Después de haber apagado la herramienta, la hoja de corte continuará girando durante un corto periodo de tiempo (**no toque la hoja giratoria**)
- ⑩ Apague y desconecte el enchufe antes de realizar tareas de limpieza o mantenimiento o si el cable (de prolongación) se daña o enreda
- ⑪ No deseche la herramienta junta con los residuos domésticos

GENERAL

- Evite usar el cortacésped en hierba húmeda
- El usuario es responsable de los accidentes o riesgos que sufran otras personas o sus bienes
- En ningún caso utilice la herramienta si la protección trasera o el cajón de hierba están deteriorados
- Al utilizar la herramienta sin cajón de hierba, asegúrese de que la protección trasera se encuentra en posición cerrada (**riesgo de lesiones provocadas por la hoja giratoria de corte**)
- Siempre desconecte el enchufe de la fuente de alimentación
 - cuando deje desatendida la herramienta
 - antes de retirar material atascado
 - antes de comprobar o limpiar la herramienta, o de trabajar en ella

- después del lanzamiento de un objeto extraño
- cuando la herramienta comienza a vibrar de modo anormal

SEGURIDAD ELÉCTRICA

- Inspeccione el cable periódicamente y, si estuviera dañado, hágalo cambiar por una persona calificada
- Al manejar la herramienta en entornos húmedos, utilice un dispositivo de corriente residual (DCR) con una corriente de activación de 30 mA como máximo
- Utilice cables de extensión seguros y completamente desenrollados con una capacidad de 16 amperios
- Utilice únicamente un cable de prolongación de los tipos H05VV-F o H05RN-F, adecuados para su uso en el exterior y equipados con toma de acoplamiento y enchufe herméticos
- No atropelle ni aplaste el cable (de extensión), ni tire del mismo
- Proteja el cable (de extensión) del calor, el aceite y los bordes afilados
- Inspeccione periódicamente el cable de extensión y sustitúyalo si está deteriorado (**los cables de extensión inadecuados pueden ser peligrosos**)

SEGURIDAD DE PERSONAS

- No trabaje con la herramienta si está descalzo o lleva calzado abierto; lleve siempre calzado resistente y pantalones largos
- Familiarícese con los controles y con el uso adecuado de la herramienta
- En ningún caso realice el segado en la proximidad inmediata de personas (especialmente niños) o animales
- **Mantenga las manos y los pies siempre alejados de las piezas giratorias**
- **Manténgase en todo momento alejado de la abertura de descarga**
- Encienda el motor siguiendo las instrucciones y con los pies adecuadamente alejados de la hoja de corte
- **Esta herramienta no está pensada para ser utilizada por personas (incluidos niños) con capacidades físicas, sensoriales o mentales disminuidas o falta de experiencia y conocimientos, a menos que estén bajo la supervisión o instrucciones relativas al uso de la herramienta por parte de una persona responsable de su seguridad** (la normativa local puede ser restrictiva respecto a la edad de quien la maneja)
- Asegúrese de que los niños no jueguen con la herramienta
- Trabaje con el cortacésped sólo a ritmo de paseo (no corra)
- Mantenga un equilibrio adecuado en las cuestas y no corte el césped en pendientes extremadamente pronunciadas
- Sea extremadamente cuidadoso en los desplazamientos hacia atrás o al tirar del cortacésped hacia usted

ANTES DEL USO

- Compruebe el funcionamiento de la herramienta cada vez que vaya a utilizarla; en el caso de que presentara algún defecto, llévelo a una persona cualificada para que lo repare; no abra nunca la herramienta
- Inspeccione meticulosamente el área en el que se va a utilizar el cortacésped y retire todos los objetos duros que pudieran ser atrapados y proyectados por el mecanismo de corte

- Asegúrese siempre de que el mecanismo de corte se encuentra en buenas condiciones de trabajo (las piezas desgastadas o deterioradas se han sustituido)
- Mantenga todas las tuercas, pernos y tornillos apretados, para asegurarse de que el cortacésped está en condiciones de trabajo seguro

DURANTE EL USO

- Realice el segado únicamente con luz diurna suficiente o con iluminación artificial adecuada
- No incline la herramienta al arrancar o encender el motor, excepto en caso de que se tenga que inclinar para arrancar en hierba alta (en este supuesto, no la incline más que lo absolutamente necesario, e incline sólo la parte alejada del operador); asegúrese siempre de que ambas manos están en posición operativa antes de volver a poner la herramienta en el suelo
- Asegúrese de que la hoja de corte se encuentra completamente parada cuando incline la herramienta para atravesar superficies no cubiertas con hierba y cuando la transporte hacia y desde el área a cortar
- Realice el corte transversalmente a la superficie de las pendientes (nunca hacia arriba ni hacia abajo)
- Sea extremadamente cauteloso al cambiar de dirección en pendientes
- En ningún caso eleve o transporte el cortacésped con el motor en marcha
- Apague la herramienta y desconecte el enchufe de la fuente de alimentación siempre que el cable de dicha fuente o el cable de alimentación sufran un corte, se dañen o se enreden (**no toque el cable antes de desconectar el enchufe**)
- No utilice la herramienta cuando el cable esté dañado; hágalo cambiar por una persona calificada

USO

- Limitación de cable ①②
 - enganche el bucle del cable de extensión sobre la limitación A según figura en la ilustración
 - tire apretando para fijar el cable de extensión
- Ajuste de la altura de corte (28-48-68 mm) ①③
 - ! **desconecte el enchufe de la alimentación eléctrica y asegúrese de que la hoja cortante ha parado de girar**
 - gire hacia abajo la parte superior del cortacésped
 - sitúe tanto el eje de las ruedas delanteras como el de las ruedas traseras en la posición correspondiente a la altura de corte deseada (28, 48 o 68 mm)
 - ! **asegúrese de que se fijan las cuatro ruedas en una posición correspondiente a la misma altura de corte**
- Interruptor de encendido/apagado de seguridad ①④
 - Impide que la herramienta se encienda accidentalmente
 - encienda la herramienta accionando el interruptor de seguridad C y luego el interruptor de gatillo D
 - apague la herramienta soltando el gatillo D
 - ! **tras apagar la herramienta, la hoja continúa girando durante unos segundos**
- Instrucciones de funcionamiento
 - sujete el cortacésped con ambas manos
 - sitúe el cortacésped en el borde de la hierba y siegue hacia adelante
 - invierta el sentido de avance al final de cada pasada, solapando ligeramente la franja previamente cortada
 - utilice el cortacésped sólo en hierba seca

- mantenga el cortacésped alejado de objetos duros y plantas
- para cortar hierba alta, en primer lugar ajuste el mecanismo a la altura máxima de corte y, a continuación, a una altura de corte inferior
- ! **ajuste el ritmo de avance al cortar césped alto**
- Indicador de cajón de hierba lleno (15)
- vacíe el cajón de hierba E en cuanto la tapa F baje por sí misma, ya que eso indica que el cajón de hierba está lleno
- para lograr los mejores resultados al recoger la hierba, limpie periódicamente los orificios situados bajo la tapa F con un cepillo de mano
- Almacenamiento (16)
- para ahorrar un espacio de almacenamiento significativo, repliegue la empuñadura de la herramienta (utilizando la tuerca de orejetas G) y guarde la herramienta como se indica en la ilustración; **antes vacíe el cajón de hierba**
- ! **asegúrese de que el cable (de prolongación) no queda atrapado al replugar/desplegar la empuñadura de la herramienta (no deje caer la empuñadura)**
- no ponga otros objetos encima del cortacésped cuando esté guardado
- guarde el cortacésped en un lugar interior y seco

MANTENIMIENTO / SERVICIO

- Esta herramienta no está concebida para uso profesional
- Mantenga limpio el cable eléctrico y la herramienta (sobre todo las ranuras de ventilación J (3))
- Después de cada uso, limpie el cortacésped con un cepillo manual y un paño suave
- ! **no utilice agua (especialmente, no use rociadores de alta presión)**
- quite los cortes de hierba compactados de la zona de las hojas con un instrumento de madera o plástico
- Verifique con regularidad la ausencia de desgaste o daños en el cajón de hierba
- Verifique con regularidad la ausencia de desgaste o daños en hojas y pernos y, al sustituirlos, hágalo por juegos para conservar el equilibrio
- Sustitución de la hoja de corte (17)
- ! **desconecte el enchufe de la fuente de alimentación y retire el cajón de hierba E (3)**
- ! **llevar guantes de protección**
- gire hacia abajo la parte superior del cortacésped
- extraiga/instale la hoja de corte utilizando una llave 13 como se indica en la ilustración
- ! **utilice únicamente hojas de corte de repuesto del tipo correcto (número de pieza de repuesto de SKIL 2610Z04069, marcado como YAT 474 552)**
- antes de montar la hoja de corte, limpie meticulosamente el área del eje y la parte inferior de la herramienta
- ! **al montar la hoja de corte asegúrese de que los dos orificios X se emparejan perfectamente con los dos nudos Y**
- Si a pesar de los esmerados procesos de fabricación y control, la herramienta llegase a averiarse, la reparación deberá encargarse a un servicio técnico autorizado para herramientas eléctricas SKIL

- envíe la herramienta **sin desmontar** junto con una prueba de su compra a su distribuidor o a la estación de servicio más cercana de SKIL (los nombres así como el despiece de piezas de la herramienta figuran en www.skil.com)

RESOLUCIÓN DE PROBLEMAS

- El siguiente listado indica síntomas de problemas, causas posibles y acciones correctoras (si no permite la identificación y la corrección del problema, póngase en contacto con su distribuidor o su centro de asistencia)
- ! **apague la herramienta y desenchúfela antes de investigar el problema**
- ★ La herramienta no funciona
 - no hay alimentación eléctrica -> compruebe la alimentación eléctrica (cable de alimentación, disyuntores, fusibles)
 - toma de alimentación eléctrica averiada -> utilice otra toma
 - cable de extensión dañado -> sustituya el cable de extensión
 - hierba demasiado alta -> aumente la altura de corte e incline la herramienta
- ★ La herramienta funciona de forma intermitente
 - cable de extensión dañado -> sustituya el cable de extensión
 - cableado interno defectuoso -> póngase en contacto con distribuidor/centro de asistencia
- ★ La herramienta deja un acabado irregular o al motor le cuesta realizar el trabajo
 - altura de corte demasiado baja -> aumente la altura de corte
 - hoja de corte desafilada -> sustituya la hoja de corte
 - parte inferior de la herramienta notablemente obstruida -> limpie la herramienta
 - altura de corte no uniforme -> lleve las 4 ruedas a la misma altura de corte
- ★ La hoja de corte no gira
 - hoja de corte obstruida -> despeje la obstrucción
 - la tuerca o el perno de la hoja están sueltos -> apriete la tuerca o el perno de la hoja
- ★ La herramienta vibra de forma anómala
 - hoja de corte deteriorada -> sustituya la hoja de corte
 - la tuerca o el perno de la hoja están sueltos -> apriete la tuerca o el perno de la hoja

AMBIENTE

- **No deseche las herramientas eléctricas, los accesorios y embalajes junto con los residuos domésticos** (sólo para países de la Unión Europea)
- de conformidad con la Directiva Europea 2002/96/CE sobre residuos de aparatos eléctricos y electrónicos y su aplicación de acuerdo con la legislación nacional, las herramientas eléctricas cuya vida útil haya llegado a su fin se deberán recoger por separado y trasladar a una planta de reciclaje que cumpla con las exigencias ecológicas
- símbolo (11) llamará su atención en caso de necesidad de tirarlas

DECLARACIÓN DE CONFORMIDAD CE

- Declaramos bajo nuestra sola responsabilidad que el producto descrito bajo "Datos técnicos" está en

conformidad con las normas o documentos normalizados siguientes: EN 60335, EN 61000, EN 55014 de acuerdo con las disposiciones en las directivas 2006/95/CE, 2004/108/CE, 2006/42/CE, 2000/14/CE, 2011/65/UE

- **Expediente técnico en:** SKIL Europe BV (PT-SEU/ENG1), 4825 BD Breda, NL

Marijn van der Hoofden
Operations & Engineering

Olaf Dijkgraaf
Approvals Manager

SKIL Europe BV, 4825 BD Breda, NL
25.07.2013

CE12

RUIDOS/VIBRACIONES

- Medido según EN 60335 el nivel de la presión acústica de esta herramienta se eleva a 73 dB(A) y el nivel de la potencia acústica a 93 dB(A) (desviación estándar: 1,5 dB), y la vibración a 2,5 m/s² (método brazo-mano; incertidumbre K = 1,5 m/s²)
 - Medido según 2000/14/CE (EN/ISO 3744) el nivel de potencia acústica LWA garantizado es inferior a 94 dB(A) (procedimiento para evaluación de la conformidad según anexo VI)
Entidad acreditada: KEMA, Arnhem, NL
Número de identificación de la entidad acreditada: 0344
 - El nivel de emisión de vibraciones ha sido medido según una prueba estándar proporcionada en EN 60335; puede utilizarse para comparar una herramienta con otra y como valoración preliminar de la exposición a las vibraciones al utilizar la herramienta con las aplicaciones mencionadas
 - al utilizarla para distintas aplicaciones o con accesorios diferentes o con un mantenimiento deficiente, podría **augmentar** de forma notable el nivel de exposición
 - en las ocasiones en que se apaga la herramienta o cuando está funcionando pero no está realizando ningún trabajo, se podría **reducir** el nivel de exposición de forma importante
- ! protéjase contra los efectos de la vibración realizando el mantenimiento de la herramienta y sus accesorios, manteniendo sus manos calientes y organizando sus patrones de trabajo**



P

Cortador de relva

0715

INTRODUÇÃO

- Esta ferramenta destina-se apenas ao corte de relva doméstica
- Esta ferramenta não se destina a utilização profissional
- Verifique se a embalagem contém todas as peças conforme apresentado no desenho ②

- Quando faltarem peças ou estiverem danificadas, contacte o revendedor
- Instruções de montagem ②
 - a sequência dos números apresentada no desenho corresponde à sequência dos passos a seguir na montagem do cortador de relva
- ! **aperte firmemente todos os parafusos e porcas**
- Leia este manual de instruções cuidadosamente antes de utilizar e guarde-o para futura referência ④

DADOS TÉCNICOS ①

ELEMENTOS DA FERRAMENTA ③

- A Limitador do cabo
- B Clipe do cabo
- C Interruptor de segurança
- D Gatilho
- E Caixa de relva
- F Indicador "Caixa de relva cheia"
- G Porca de orelhas de fixação
- H Pega de transporte
- J Aberturas de ventilação
- K Guarda posterior

SEGURANÇA

INSTRUÇÕES GERAIS DE SEGURANÇA

⚠ ATENÇÃO! Devem ser lidas todas as indicações de advertência e todas as instruções. O desrespeito das advertências e instruções apresentadas abaixo pode causar choque eléctrico, incêndio e/ou graves lesões. **Guarde bem todas as advertências e instruções para futura referência.** O termo "ferramenta eléctrica" utilizado a seguir nas indicações de advertência, refere-se a ferramentas eléctricas operadas com corrente de rede (com cabo de rede) e a ferramentas eléctricas operadas com acumulador (sem cabo de rede).

1) SEGURANÇA DA ÁREA DE TRABALHO

- a) **Mantenha a sua área de trabalho limpa e arrumada.** Desordem ou áreas de trabalho com fraca iluminação podem causar acidentes.
- b) **Não trabalhar com a ferramenta eléctrica em áreas com risco de explosão, nas quais se encontrem líquidos, gases ou pós inflamáveis.** Ferramentas eléctricas produzem faíscas que podem provocar a ignição de pó e vapores.
- c) **Mantenha crianças e outras pessoas afastadas da ferramenta eléctrica durante o trabalho com a ferramenta.** Distrações podem causar a falta de controle sobre o aparelho.

2) SEGURANÇA ELÉCTRICA

- a) **A ficha das ferramentas eléctricas devem caber na tomada. A ficha não deve ser modificada de modo algum. Não utilize quaisquer fichas de adaptação junto com ferramentas eléctricas ligadas à terra.** Fichas sem modificações e tomadas adequadas reduzem o risco de choques eléctricos.
- b) **Evite que o corpo entre em contacto com superfícies ligadas à terra, como por exemplo tubos, radiadores, fogões e geladeiras.** Há um risco

elevado de choques eléctricos, caso o corpo for ligado à terra.

- c) **A ferramenta eléctrica não deve ser exposta à chuva nem humidade.** A penetração de água na ferramenta eléctrica aumenta o risco de choques eléctricos.
- d) **O cabo do aparelho não deve ser utilizado para o transporte, para pendurar o aparelho, nem para puxar a ficha da tomada. Mantenha o cabo afastado de calor, óleo, cantos afiados ou partes em movimento do aparelho.** Cabos danificados ou torcidos aumentam o risco de choques eléctricos.
- e) **Ao trabalhar com a ferramenta eléctrica ao ar livre, use um cabo de extensão apropriado para áreas externas.** O uso de um cabo apropriado para áreas externas reduz o risco de choques eléctricos.
- f) **Se não for possível evitar o funcionamento da ferramenta eléctrica em áreas húmidas, deverá ser utilizado um disjuntor de corrente de avaria.** A utilização de um disjuntor de corrente de avaria reduz o risco de um choque eléctrico.

3) SEGURANÇA DE PESSOAS

- a) **Esteja alerta, observe o que está a fazer, e tenha prudência ao trabalhar com a a ferramenta eléctrica.** Não use a ferramenta eléctrica se estiver fatigado ou sob a influência de drogas, álcool ou medicamentos. Um momento de falta de atenção durante a operação da ferramenta eléctrica pode causar graves lesões.
- b) **Utilizar equipamento de protecção pessoal e sempre óculos de protecção.** A utilização de equipamento de protecção pessoal, como máscara de protecção contra pó, sapatos de segurança antiderrapantes, capacete de segurança ou protecção auricular, de acordo com o tipo e aplicação da ferramenta eléctrica, reduz o risco de lesões.
- c) **Evitar uma colocação em funcionamento involuntária. Assegure-se de que a ferramenta eléctrica esteja desligada, antes de conectá-la à alimentação de rede e/ou ao acumulador, antes de levantá-la ou de transportá-la.** Se tiver o dedo no interruptor ao transportar a ferramenta eléctrica ou se o aparelho for conectado à alimentação de rede enquanto estiver ligado, poderão ocorrer acidentes.
- d) **Remover chaves de ajustes ou chaves de fenda, antes de ligar a ferramenta eléctrica.** Uma chave de fenda ou chave de ajuste que se encontre numa parte móvel do aparelho, pode levar a lesões.
- e) **Não se sobreestime. Mantenha uma posição firme e mantenha sempre o equilíbrio.** Desta forma poderá ser mais fácil controlar o aparelho em situações inesperadas.
- f) **Use roupa apropriada. Não use roupa larga ou jóias. Mantenha o cabelo, roupa e luvas afastadas de partes em movimento.** Roupas largas, jóias ou cabelos longos podem ser agarradas por partes em movimento.
- g) **Se for prevista a montagem de dispositivos de aspiração de pó e de dispositivos de recolha, assegure-se de que estão conectados e que sejam utilizados de forma correcta.** A utilização de uma aspiração de pó pode reduzir o perigo devido ao pó.

4) USO E TRATAMENTO DE FERRAMENTAS ELÉCTRICAS

- a) **Não sobrecarregue a ferramenta eléctrica. Use para o seu trabalho a ferramenta eléctrica correcta.** A ferramenta correcta realizará o trabalho de forma melhor e mais segura dentro da faixa de potência indicada.
- b) **Não utilize a ferramenta eléctrica se o interruptor não puder ser ligado nem desligado.** Qualquer ferramenta eléctrica que não possa ser controlada através do interruptor de ligar-desligar, é perigosa e deve ser reparada.
- c) **Puxar a ficha da tomada e/ou remover o acumulador antes de executar ajustes na ferramenta, de substituir acessórios ou de guardar a ferramenta.** Esta medida de segurança evita que a ferramenta eléctrica seja ligada acidentalmente.
- d) **Guarde ferramentas eléctricas que não estiverem sendo utilizadas, for a do alcance de crianças. Não permita que o aparelho seja utilizado por pessoas não familiarizadas com o mesmo ou que não tenham lido estas instruções.** Ferramentas eléctricas são perigosas nas mãos de pessoas sem treinamento.
- e) **Trate a sua ferramenta eléctrica com cuidado. Verifique se as partes móveis do aparelho funcionam perfeitamente e não emperram, se há peças quebradas ou danificadas, que possam influenciar o funcionamento do aparelho. Peças danificadas devem ser reparadas antes da utilização do aparelho.** Muitos acidentes tem como causa uma manutenção insuficiente das ferramentas eléctricas.
- f) **Mantenha as ferramentas de corte sempre afiadas e limpas.** Ferramentas de cortes devidamente tratadas, com cantos afiados travam com menos frequência e podem ser controladas com maior facilidade.
- g) **Use a ferramenta eléctrica, os acessórios os bits da ferramenta etc., de acordo com estas instruções. Considere também as condições de trabalho e o trabalho a ser efectuado.** A utilização da ferramenta eléctrica para outros fins que os previstos, pode resultar em situações perigosas.

5) SERVIÇO

- a) **A sua ferramenta eléctrica só deve ser reparada por pessoal qualificado e só devem ser colocadas peças sobressalentes originais.** Desta forma é assegurada a segurança da ferramenta eléctrica.

INSTRUÇÕES DE SEGURANÇA ESPECÍFICAS PARA CORTADORES DE RELVA

EXPLICAÇÃO DOS SÍMBOLOS DA FERRAMENTA

- ④ Leia o manual de instruções antes de utilizar o equipamento
- ⑤ Isolamento duplo (nenhum fio de terra necessário)
- ⑥ **Tenha atenção ao risco de lesão provocado pelos resíduos móveis** (mantenha as pessoas a uma distância segura da área de trabalho)
- ⑦ Cuidado com as lâminas afiadas
- ⑧ Mantenha o cabo (extensão) afastado da lâmina de corte rotativa
- ⑨ A lâmina de corte continua a rodar durante um curto período de tempo depois de desligar a ferramenta (**não toque na lâmina rotativa**)

- ⑩ Desligue e retire a ficha antes da limpeza/manutenção ou se o cabo (extensão) estiver danificado ou emaranhado
- ⑪ Não deite a ferramenta no lixo doméstico

GENERAL

- Evite utilizar o cortador em relvados molhados
- O utilizador é responsável pelos acidentes ou perigos que ocorram com outras pessoas ou a sua propriedade
- Nunca utilize a ferramenta com uma guarda posterior ou uma caixa de relva avariada
- Quando utilizar a ferramenta sem a caixa de relva, certifique-se de que a guarda posterior está na posição fechada (**risco de lesão provocado pela lâmina de corte rotativa**)
- Desligue sempre da fonte de alimentação
 - quando deixar a ferramenta sem vigilância
 - antes de retirar material encravado
 - antes de verificar, limpar ou trabalhar na ferramenta
 - depois de bater num objecto estranho
 - sempre que a ferramenta começar a vibrar anormalmente

SEGURANÇA ELÉCTRICA

- Inspeccione periodicamente o fio e mandando-o substituir por pessoal qualificado, se elo estiver danificado
- Quando operar a ferramenta em ambientes húmidos, utilize um dispositivo de corrente residual (RCD) com uma corrente de accionamento de 30 mA no máximo
- Utilize extensões completamente desenroladas e seguras, com uma capacidade de 16 Amp
- Utilize apenas um cabo de extensão H05VV-F ou H05RN-F destinado a utilização exterior e equipado com uma ficha impermeável e uma união de tomada
- Não passe por cima, esmague ou puxe o cabo (extensão)
- Proteja o cabo (extensão) de fontes de calor, de óleo e de arestas aguçadas
- Inspeccione o cabo de extensão periodicamente e substitua-o, se danificado (**os cabos de extensão inadequados podem ser perigosos**)

SEGURANÇA DE PESSOAS

- Não utilize a ferramenta quando estiver descalço ou com sandálias abertas; use sempre sapatos fortes e calças longas
- Familiarize-se com os controlos e a utilização adequada da ferramenta
- Nunca corte relva junto a pessoas (em especial, crianças) e animais
- **Mantenha sempre as mãos e os pés afastados das peças rotativas**
- **Mantenha a abertura de descarga sempre afastada**
- Ligue o motor de acordo com as instruções e mantenha os pés muito afastados da lâmina de corte
- **Esta ferramenta não deve ser utilizada por pessoas (incluindo crianças) com deficiências físicas, sensoriais ou mentais, ou falta de experiência e conhecimentos, excepto se tiverem supervisão ou receberem instrução relacionada com a utilização da ferramenta por uma pessoa responsável pela sua segurança** (os regulamentos locais podem restringir a idade do operador)
- Certifique-se de que as crianças não brincam com a ferramenta
- Opere o cortador de relva apenas com uma marcha normal (não corra)

- Mantenha o equilíbrio adequado em declives e não corte relva em declives extremamente íngremes
- Tenha muito cuidado quando andar para trás ou puxar o cortador de relva na sua direcção

ANTES DA UTILIZAÇÃO

- Verifique o funcionamento da ferramenta antes de cada utilização e, em caso de avaria, leve-a a uma pessoa qualificada para reparação; nunca abra você mesmo a ferramenta
- Inspeccione cuidadosamente a área de utilização do cortador de relva e retire todos os objectos duros que possam ser apanhados e lançados pelo mecanismo de corte
- Certifique-se sempre de que o mecanismo de corte está em boas condições de funcionamento (mande substituir as peças danificadas e gastas)
- Mantenha todos os parafusos e porcas apertados para ter a certeza de que o cortador de relva está em condições de funcionamento seguras

DURANTE A UTILIZAÇÃO

- Corte a relva apenas com a luz do dia suficiente ou com a iluminação artificial adequada
- Não incline a ferramenta quando arrancar ou ligar o motor, excepto se tiver de inclinar a ferramenta para arrancar em relva alta (neste caso, não incline mais do que o absolutamente necessário e incline apenas a parte que está afastada do operador); certifique-se sempre de que ambas as mãos estão na posição de funcionamento antes de colocar a ferramenta no chão
- Certifique-se de que a lâmina de corte está completamente parada quando inclinar a ferramenta para atravessar outras superfícies diferentes do relvado e quando a transportar para e da área a cortar
- Corte lateralmente a superfície dos declives (nunca para cima e para baixo)
- Tenha muito cuidado quando mudar de direcção nos declives
- Nunca pegue ou transporte o cortador de relva com o motor em funcionamento
- Desligue sempre a ferramenta e retire a ficha da fonte de alimentação se o cabo de alimentação ou o cabo de extensão estiver cortado, danificado ou emaranhado (**não toque no cabo antes de desligar a ficha**)
- Não utilize ferramenta caso o fio esteja danificado; mandando-o substituir por pessoal qualificado

MANUSEAMENTO

- Limitador do cabo ⑫
 - pendure a volta do cabo de extensão sobre o limitador A conforme ilustrado
 - puxe para ficar o cabo de extensão
- Ajuste do ângulo de corte (28-48-68 mm) ⑬
 - ! **retire a ficha da fonte de alimentação e certifique-se de que a lâmina de corte parou de rodar**
 - rode o cortador de relva para baixo
 - coloque os eixos das rodas dianteiras e traseiras na posição da altura de corte pretendida (28, 48 ou 68 mm)
 - ! **certifique-se de que as quatro rodas estão fixas na mesma posição da altura de corte**
- Interruptor on/off de segurança ⑭
 - Impede a ferramenta de se ligar acidentalmente
 - ligue primeiro a ferramenta antes de premir o interruptor de segurança C e, em seguida, puxe o gatilho D

- desligue a ferramenta soltando o gatilho D
- ! depois de desligar a ferramenta, a lâmina continua a rodar durante alguns segundos**
- Instruções de funcionamento
 - segure o cortador de relva com ambas as mãos
 - coloque o cortador de relva na extremidade do relvado e corte a relva numa direcção frontal
 - inverta a marcha no fim de cada volta, sobrepondo ligeiramente a faixa de corte anterior
 - utilize apenas o cortador de relva em relva seca
 - mantenha o cortador de relva afastado de objectos duros e plantas
 - para cortar relva alta, defina o mecanismo de corte para a altura máxima de corte e, em seguida, para uma altura de corte mais baixa
- ! ajuste o passo de andamento quando cortar relva alta**
- Indicador "Caixa de relva cheia" (15)
 - esvazie a caixa de relva E assim que a aba F descer sozinha, indicando que a caixa de relva está cheia
 - para um desempenho de recolha de relva óptimo, limpe regularmente os orifícios debaixo da aba F com uma escova
- Armazenamento (16)
 - para poupar um espaço de armazenamento substancial, dobre a pega da ferramenta (com a porca de orelhas G) e guarde a ferramenta conforme ilustrado; **esvazie a caixa de relva primeiro**
 - ! certifique-se de que o cabo (extensão) não está preso quando abrir/fechar a pega da ferramenta (não deixe cair a pega)**
 - não coloque outros objectos em cima do cortador de relva quando estiver guardado
 - guarde o cortador de relva dentro de casa num local seco

MANUTENÇÃO / SERVIÇO

- Esta ferramenta não se destina a utilização profissional
- Mantenha a ferramenta e o fio sempre limpos (especialmente as ranhuras de respiração J (3))
- Limpe o cortador de relva após cada utilização com uma escova e um pano macio
- ! não utilize água (em especial, pulverizadores de alta pressão)**
- retire os cortes de relva compactos da área da lâmina com um acessório de madeira e plástico
- Verifique regularmente se a caixa da relva está gasta ou danificada
- Verifique regularmente se existem lâminas e parafusos gastos ou danificados e mande-os substituir em conjuntos para preservar o equilíbrio
- Substituir a lâmina de corte (17)
- ! desligue a ficha da fonte de alimentação e retire a caixa de relva E (3)**
- ! usar luvas de protecção**
- rode o cortador de relva para baixo
- retire/monte a lâmina de corte com a chave de porcas 13 conforme ilustrado
- ! utilize apenas lâminas de corte sobresselentes do tipo correcto (número de peça sobresselente da SKIL 2610Z04069, com a marcação YAT 474 552)**

- limpe cuidadosamente a área do veio e a parte inferior da ferramenta antes de montar a lâmina de corte
- ! enquanto monta a lâmina de corte, certifique-se de que os dois orifícios X correspondem perfeitamente aos dois pontos Y**
- Se a ferramenta falhar apesar de cuidadosos processos de fabricação e de teste, a reparação deverá ser executada por uma oficina de serviço autorizada para ferramentas eléctricas SKIL
 - envie a ferramenta **sem desmontar**, juntamente com a prova de compra, para o seu revendedor ou para o centro de assistência SKIL mais próximo (os endereços assim como a mapa de peças da ferramenta estão mencionados no www.skil.com)

RESOLUÇÃO DE PROBLEMAS

- A lista seguinte mostra os sintomas dos problemas, causas possíveis e acções correctivas (se estas não identificarem e corrigirem o problema, contacte o revendedor ou o centro de assistência técnica)
 - ! desligue a ferramenta e desligue a ficha antes de investigar o problema**
- ★ A ferramenta não funciona
 - sem fonte de alimentação -> verifique a fonte de alimentação (cabo de alimentação, disjuntores, fusíveis)
 - tomada eléctrica avariada -> utilize outra tomada
 - cabo de extensão danificado -> substitua o cabo de extensão
 - relva muito alta -> aumente a altura de corte e incline a ferramenta
- ★ A ferramenta funciona intermitentemente
 - cabo de extensão danificado -> substitua o cabo de extensão
 - instalação interna defeituosa -> contacte o revendedor/centro de assistência técnica
- ★ A ferramenta faz um acabamento irregular ou o motor trabalha com extrema dificuldade
 - altura de corte muito baixa -> aumente a altura de corte
 - lâmina de corte gasta -> substitua a lâmina de corte
 - parte inferior da ferramenta muito obstruída -> limpe a ferramenta
 - altura de corte não uniforme -> coloque as 4 rodas na mesma altura de corte
- ★ Lâmina de corte não roda
 - lâmina de corte obstruída -> desobstrua
 - parafuso/porca da lâmina solto -> aperte o parafuso/porca da lâmina
- ★ A ferramenta vibra anormalmente
 - lâmina de corte danificada -> substitua a lâmina de corte
 - parafuso/porca da lâmina solto -> aperte o parafuso/porca da lâmina

AMBIENTE

- **Não deite ferramentas eléctricas, acessórios e embalagem no lixo doméstico** (apenas para países da UE)
 - de acordo com a directiva europeia 2002/96/CE sobre ferramentas eléctricas e electrónicas usadas e a transposição para as leis nacionais, as ferramentas eléctricas usadas devem ser recolhidas em separado

e encaminhadas a uma instalação de reciclagem dos materiais ecológica

- símbolo (I) lhe avisará em caso de necessidade de arranja-las

DECLARAÇÃO DE CONFORMIDADE CE

- Declaramos sob nossa exclusiva responsabilidade que o produto descrito em "Dados técnicos" cumpre as seguintes normas ou documentos normativos: EN 60335, EN 61000, EN 55014 conforme as disposições das diretivas 2006/95/CE, 2004/108/CE, 2006/42/CE, 2000/14/CE, 2011/65/UE
- **Processo técnico em:** SKIL Europe BV (PT-SEU/ENG1), 4825 BD Breda, NL

Marijn van der Hoofden Olaf Dijkgraaf
Operations & Engineering Approvals Manager

SKIL Europe BV, 4825 BD Breda, NL

25.07.2013

CE

RUIDO/VIBRAÇÕES

- Medido segundo EN 60335 o nível de pressão acústica desta ferramenta é 73 dB(A) e o nível de potência acústica 93 dB(A) (espaço de erro: 1,5 dB), e a vibração 2,5 m/s² (método braço-mão; incerteza K = 1,5 m/s²)
- Medido segundo 2000/14/EC (EN/ISO 3744) o nível de potência acústica garantido é inferior a 94 dB(A) (processo de avaliação da conformidade de acordo com o anexo VI)

Organismo notificado: KEMA, Arnhem, NL

Número de identificação do organismo notificado: 0344

- O nível de emissão de vibrações foi medido de acordo com um teste normalizado fornecido na EN 60335; pode ser utilizado para comparar uma ferramenta com outra e como uma avaliação preliminar de exposição à vibração quando utilizar a ferramenta para as aplicações mencionadas

- utilizar a ferramenta para diferentes aplicações ou com acessórios diferentes ou mantidos deficientemente, pode **umentar** significativamente o nível de exposição

- o número de vezes que a ferramenta é desligada ou quando estiver a trabalhar sem fazer nada, pode **reduzir** significativamente o nível de exposição

! proteja-se contra os efeitos da vibração, mantendo a ferramenta e os acessórios, mantendo as mãos quentes e organizando os padrões de trabalho

I

Tosaerba

0715

INTRODUZIONE

- Questo utensile è inteso unicamente per la falciatura di prati domestici

- Questo utensile non è inteso per un uso professionale
- Verificare che l'imballo contenga tutte le parti illustrate sul disegno (2)
- In caso di parti mancanti o danneggiate, contattare il proprio rivenditore
- Istruzioni di montaggio (2)
 - la sequenza dei numeri che compaiono nel disegno corrisponde alla successione dei passi da seguire per il montaggio del tosaerba
- ! **serrare fermamente tutte le viti e i dadi**
- Leggere attentamente questo manuale di istruzioni prima dell'impiego, e conservarlo per future consultazioni (4)

DATI TECNICI (1)

ELEMENTI UTENSILE (3)

- A Reggicavo
- B Fermacavo
- C Interruttore di sicurezza
- D Grilletto
- E Cestello raccogliërba
- F Indicatore "Cestello raccogliërba pieno"
- G Fissaggio del dado ad alette
- H Maniglia per il trasporto
- J Feroiteo di ventilazione
- K Protezione posteriore

SICUREZZA

ISTRUZIONI GENERALI DI SICUREZZA

⚠ ATTENZIONE! Leggere tutte le avvertenze di pericolo e le istruzioni operative. In caso di mancato rispetto delle avvertenze di pericolo e delle istruzioni operative si potrà creare il pericolo di scosse elettriche, incendi e/o incidenti gravi. **Conservare tutte le avvertenze di pericolo e le istruzioni operative per ogni esigenza futura.** Il termine "elettroutensile" utilizzato nelle avvertenze di pericolo si riferisce ad utensili elettrici alimentati dalla rete (con linea di allacciamento) ed ad utensili elettrici alimentati a batteria (senza linea di allacciamento).

1) SICUREZZA DELLA POSTAZIONE DI LAVORO

- a) **Mantenere pulito ed ordinato il posto di lavoro.** Il disordine o le zone di lavoro non illuminate possono essere fonte di incidenti.
- b) **Evitare d'impiegare l'utensile in ambienti soggetti al rischio di esplosioni nei quali si trovino liquidi, gas o polveri infiammabili.** Gli utensili elettrici producono scintille che possono far infiammare la polvere o i gas.
- c) **Mantenere lontani i bambini ed altre persone durante l'impiego dell'utensile elettrico.** Eventuali distrazioni potranno comportare la perdita del controllo sull'utensile.

2) SICUREZZA ELETTRICA

- a) **La spina per la presa di corrente dovrà essere adatta alla presa. Evitare assolutamente di apportare modifiche alla spina. Non impiegare spine adattatrici assieme ad utensili con collegamento a terra.** Le spine non modificate e le

- prese adatte allo scopo riducono il rischio di scosse elettriche.
- b) **Evitare il contatto fisico con superfici collegate a terra, come tubi, riscaldamenti, cucine elettriche e frigoriferi.** Sussiste un maggior rischio di scosse elettriche nel momento in cui il corpo è messo a massa.
 - c) **Custodire l'utensile al riparo dalla pioggia o dall'umidità.** L'eventuale infiltrazione di acqua in un utensile elettrico va ad aumentare il rischio d'insorgenza di scosse elettriche.
 - d) **Non usare il cavo per scopi diversi da quelli previsti al fine di trasportare o appendere l'utensile, oppure di togliere la spina dalla presa di corrente. Mantenere l'utensile al riparo da fonti di calore, dall'olio, dagli spigoli o da pezzi in movimento.** I cavi danneggiati o aggrovigliati aumentano il rischio d'insorgenza di scosse elettriche.
 - e) **Qualora si voglia usare l'utensile all'aperto, impiegare solo ed esclusivamente cavi di prolunga omologati per l'impiego all'esterno.** L'uso di un cavo di prolunga omologato per l'impiego all'esterno riduce il rischio d'insorgenza di scosse elettriche.
 - f) **Qualora non fosse possibile evitare di utilizzare l'utensile in ambiente umido, utilizzare un interruttore di messa a terra.** L'uso di un interruttore di messa a terra riduce il rischio di una scossa elettrica.
- 3) SICUREZZA DELLE PERSONE**
- a) **È importante concentrarsi su ciò che si sta facendo e a maneggiare con giudizio l'utensile durante le operazioni di lavoro. Non utilizzare l'utensile in caso di stanchezza o sotto l'effetto di droghe, bevande alcoliche e medicinali.** Un attimo di distrazione durante l'uso dell'utensile potrà causare lesioni gravi.
 - b) **Indossare sempre equipaggiamento protettivo individuale. Usare sempre protezioni per gli occhi.** Se si avrà cura d'indossare equipaggiamento protettivo individuale come la maschera antipolvere, la calzatura antidrucciolevole di sicurezza, il casco protettivo o la protezione dell'udito, a seconda dell'impiego previsto per l'utensile elettrico, si potrà ridurre il rischio di ferite.
 - c) **Evitare l'accensione involontaria dell'utensile. Prima di collegarlo alla rete di alimentazione elettrica e/o alla batteria ricaricabile, prima di prenderlo oppure prima di iniziare a trasportarlo, assicurarsi che l'utensile sia spento.** Tenendo il dito sopra l'interruttore mentre si trasporta l'utensile oppure collegandolo all'alimentazione di corrente con l'interruttore inserito, si vengono a creare situazioni pericolose in cui possono verificarsi seri incidenti.
 - d) **Togliere gli attrezzi di regolazione o la chiave inglese prima di accendere l'utensile.** Un utensile o una chiave inglese che si trovino in una parte dell'utensile in rotazione potranno causare lesioni.
 - e) **È importante non sopravvalutarsi. Avere cura di mettersi in posizione sicura e di mantenere l'equilibrio.** In tale maniera sarà possibile controllare meglio l'utensile in situazioni inaspettate.
 - f) **Indossare vestiti adeguati. Evitare di indossare vestiti lenti o gioielli. Tenere i capelli, i vestiti ed i guanti lontani da pezzi in movimento.** Vestiti lenti, gioielli o capelli lunghi potranno impigliarsi in pezzi in movimento.
 - g) **Se sussiste la possibilità di montare dispositivi di aspirazione o di captazione della polvere, assicurarsi che gli stessi siano stati installati correttamente e vengano utilizzati senza errori.** L'utilizzo di un'aspirazione polvere può ridurre lo svilupparsi di situazioni pericolose dovute alla polvere.
- 4) MANEGGIO ED IMPIEGO ACCURATO DI UTENSILI ELETTRICI**
- a) **Non sovraccaricare l'utensile. Impiegare l'utensile elettrico adatto per sbrigare il lavoro.** Utilizzando l'utensile elettrico adatto si potrà lavorare meglio e con maggior sicurezza nell'ambito della gamma di potenza indicata.
 - b) **Non utilizzare utensili elettrici con interruttori difettosi.** Un utensile elettrico che non si può più accendere o spegnere è pericoloso e dovrà essere riparato.
 - c) **Prima di procedere ad operazioni di regolazione sull'utensile, prima di sostituire parti accessorie oppure prima di posare l'utensile al termine di un lavoro, estrarre sempre la spina dalla presa della corrente e/o estrarre la batteria ricaricabile.** Tale precauzione eviterà che l'utensile possa essere messo in funzione inavvertitamente.
 - d) **Custodire gli utensili elettrici non utilizzati al di fuori della portata dei bambini. Non fare usare l'utensile a persone che non sono abituate ad usarlo o che non abbiano letto le presenti istruzioni.** Gli utensili elettrici sono pericolosi se utilizzati da persone inesperte.
 - e) **Effettuare accuratamente la manutenzione dell'utensile. Verificare che le parti mobili dell'utensile funzionino perfettamente e non s'inceppino, che non ci siano pezzi rotti o danneggiati al punto tale da limitare la funzione dell'utensile stesso. Far riparare le parti danneggiate prima d'impiegare l'utensile.** Numerosi incidenti vengono causati da utensili elettrici la cui manutenzione è stata effettuata poco accuratamente.
 - f) **Mantenere affilati e puliti gli utensili da taglio.** Gli utensili da taglio curati con particolare attenzione e con taglienti affilati s'inceppano meno frequentemente e sono più facili da condurre.
 - g) **Utilizzare utensili elettrici, accessori, attrezzi, ecc. in conformità con le presenti istruzioni. Osservare le condizioni di lavoro ed il lavoro da eseguirsi durante l'impiego.** L'impiego di utensili elettrici per usi diversi da quelli consentiti potrà dar luogo a situazioni di pericolo.
- 5) ASSISTENZA**
- a) **Fare riparare l'utensile solo ed esclusivamente da personale specializzato e solo impiegando pezzi di ricambio originali.** In tale maniera potrà essere salvaguardata la sicurezza dell'utensile.
- ISTRUZIONI DI SICUREZZA SPECIFICHE PER TOSAERBA**
- SPIEGAZIONE DEI SIMBOLI PRESENTI SULL'UTENSILE**
- ④ Leggere il manuale di istruzioni prima dell'uso
 - ⑤ Doppio isolamento (non è necessario alcun cavo di terra)

- ⑥ **Prestare attenzione al rischio di lesioni provocate da detriti proiettati** (mantenere spettatori a distanza di sicurezza dall'area di lavoro)
- ⑦ Fare attenzione alle lame affilate
- ⑧ Tenere il cavo (di prolunga) sempre lontano dalla lama di taglio in movimento
- ⑨ La lama di taglio continua a ruotare per un certo tempo dopo che l'utensile è stato spento (**non toccare la lama in movimento**)
- ⑩ Spegnerne e disinserire la spina prima di pulire/fare la manutenzione o se il cavo (di prolunga) è danneggiato o impigliato
- ⑪ Non gettare l'utensile tra i rifiuti domestici

NOTE GENERALI

- Evitare di usare il tosaerba su prati bagnati
- L'utente è responsabile per incidenti o pericoli causati ad altre persone o a proprietà di queste ultime
- Non usare l'utensile se la protezione posteriore o il cestello raccogliherba sono difettosi
- Se si usa l'utensile senza cestello raccogliherba, assicurarsi che la protezione posteriore sia in posizione chiusa (**rischio di lesioni provocate dalla lama di taglio in movimento**)
- Disinserire sempre la spina dalla presa di corrente
 - quando si lascia l'utensile incustodito
 - prima di rimuovere materiale incastrato
 - controllare, pulire o effettuare lavori sull'utensile
 - dopo un contatto con un oggetto estraneo
 - quando l'utensile si avvia con vibrazioni anomale

SICUREZZA ELETTRICA

- Esaminare il cavo periodicamente e, se danneggiato, farlo sostituire da personale qualificato
- In ambienti umidi usare un dispositivo per corrente residua (RCD) con una corrente di scatto di massimo 30 mA
- Usare cavi di prolunga completamente srotolati e sicure con una capacità di 16 Amp
- Usare solamente una prolunga di tipo H05VV-F o H05RN-F per un uso all'esterno e munita di presa a spina a prova di spruzzo
- Non passare sopra, schiacciare o tirare il cavo (di prolunga)
- Proteggere il cavo (di prolunga) dal calore, dall'olio e da bordi taglienti
- Esaminare il cavo di prolunga periodicamente e, se danneggiato, sostituirlo (**cavi di prolunga inadeguati possono essere pericolosi**)

SICUREZZA DELLE PERSONE

- Non usare l'utensile a piedi nudi o indossando sandali aperti; indossare sempre scarpe robuste e pantaloni lunghi
- Familiarizzare con i controlli e l'uso corretto dell'utensile
- Non falciare mai in prossimità di persone (particolarmente bambini) e animali
- **Tenere sempre mani e piedi lontani dalle parti in movimento**
- **Stare sempre lontano dall'apertura di scarico**
- Accendere il motore secondo le istruzioni e con i piedi ben lontani dalla lama di taglio
- **Questo utensile non deve essere usato da persone (compresi i bambini) con ridotte capacità fisiche, sensoriali e mentali o con scarsa esperienza e conoscenza specifiche, a meno che le stesse non operino sotto la supervisione di una persona**

responsabile della loro sicurezza o siano state da essa istruite sull'utilizzo dell'utensile (disposizioni locali possono imporre restrizioni d'età dell'operatore)

- Assicurarsi che i bambini non giochino con l'utensile
- Usare il tosaerba solo a passo d'uomo (non correre)
- Fare attenzione sulle pendenze e non falciare su terreni troppo ripidi
- Fare molta attenzione quando si procede a ritroso o si tira il tosaerba verso di se

PRIMA DELL'USO

- Controllare il funzionamento dell'utensile prima di ogni volta che si deve usare, in caso di un difetto, farlo riparare immediatamente da una persona qualificata; non aprire mai l'utensile da se stessi
- Ispezionare attentamente l'area in cui si desidera usare il tosaerba e rimuovere tutti gli oggetti duri che potrebbe essere catturati e proiettati dal meccanismo di taglio
- Assicurarsi sempre che il meccanismo di taglio sia in buone condizioni (sostituire parti usurate o danneggiate)
- Mantenere dadi, bulloni e viti serrati, al fine di assicurare che il tosaerba funzioni in modo sicuro

DURANTE L'USO

- Falciare esclusivamente con sufficiente luce diurna o artificiale
- Non inclinare l'utensile mentre si avvia o accende il motore, tranne se l'utensile deve essere inclinato per la partenza su erba alta (in tal caso non inclinare più di quando assolutamente necessario e inclinare solo la parte lontana dall'operatore); assicurarsi sempre che entrambe le mani siano in posizione d'uso prima di riportare l'utensile per terra
- Assicurarsi che la lama di taglio sia completamente ferma quando si inclina l'utensile per superare delle superfici diverse da erba e durante il trasporto da e verso l'area da falciare.
- Falciare in largo su terreni ripidi (mai in su e in giù)
- Fare particolare attenzione quando si cambia direzione su terreni ripidi
- Non lasciare mai alzare o trasportare mai il tosaerba con il motore acceso
- Spegnerne sempre l'utensile e disinserire la spina dalla presa di corrente, se il cavo d'alimentazione o il cavo di prolunga è tagliato, danneggiato o impigliato (**non toccare il cavo prima di disinserire la spina**)
- Non usare l'utensile quando il cavo è danneggiato; farlo sostituire da personale qualificato

USO

- Reggicavo ⑫
 - agganciare l'asola del cavo di prolunga al reggicavo A come indicato nell'illustrazione
 - tirare per fissare il cavo di prolunga
- Regolazione dell'altezza (28-48-68 mm) ⑬
 - ! **scollare la spina dalla prese di corrente e assicurarsi che la lama di taglio si sia fermata**
 - capovolgere il tosaerba
 - posizionare l'asse della ruota anteriore e di quella posteriore all'altezza di taglio desiderata (28, 48 o 68 mm)
 - ! **assicurarsi che le quattro ruote siano fissate alla stessa altezza di taglio**
- Interruttore on/off di sicurezza ⑭
 - Evita che l'utensile venga acceso accidentalmente
 - accendere l'utensile premendo prima il pulsante di

sicurezza C quindi il grilletto D

- spegnete l'utensile rilasciando il grilletto D

! dopo aver spento l'utensile, la lama continua a muoversi per qualche secondo

• Istruzioni operative

- tenere il tosaerba con entrambe le mani
- posizionare il tosaerba sul bordo del prato e falciare procedendo in avanti
- cambiare direzione alla fine del prato, ripassando parzialmente sulla striscia già falciata
- usare il tosaerba solo sull'erba asciutta
- tenere il tosaerba lontano da oggetti duri e piante
- per falciare erba lunga, impostare prima il meccanismo di taglio all'altezza massima, quindi abbassarlo

! adeguare la velocità quando si falcia erba alta

- Indicatore "Cestello raccogliherba pieno" (15)
- svuotare il cestello raccogliherba E non appena la linguetta F si abbassa da sola, indicando che il cestello raccogliherba è pieno
- per garantire una raccolta ottimale dell'erba, pulire regolarmente i fori sotto la linguetta F con una spazzola

• Stoccaggio (16)

- per risparmiare spazio, ripiegare l'impugnatura dell'utensile (usando il dado ad alette G) e riporre l'utensile come illustrato; **svuotare prima il cestello raccogliherba**

! assicurarsi che il cavo (di prolunga) non venga incastrato quando si ripiega/apre l'impugnatura dell'utensile (non lasciar cadere l'impugnatura)

- non appoggiare altri oggetti sopra al tosaerba quando è riposto
- riporre il tosaerba in un luogo chiuso e asciutto

MANUTENZIONE / ASSISTENZA

- Questo utensile non è inteso per un uso professionale
- Tenete sempre puliti utensile e cavo (soprattutto le feritoie di ventilazione J (3))
- Pulire il tosaerba dopo ogni uso con una spazzola e un panno soffice
- ! non usare acqua (soprattutto idropulitrici)**
- rimuovere l'erba falciata compattata dalla zona delle lame con un utensile di legno o di plastica
- Controllare regolarmente che il cestello raccogliherba non sia danneggiato
- Verificare regolarmente che le lame e i bulloni non siano usurati o danneggiati e sostituirli tutti per mantenere l'equilibrio
- Sostituzione della lama di taglio (17)

! disinserire la spina dalla presa di corrente e rimuovere il cestello raccogliherba E (3)

! portare guanti protettivi

- capovolgere il tosaerba
- rimuovere/montare la lama di taglio usando una chiave 13 come illustrato

! usare solo lame di taglio sostitutive del tipo corretto (ricambio SKIL numero 2610Z04069, marchio YAT 474 552)

- pulire l'area del gambo e la parte inferiore dell'utensile prima di montare la lama di taglio

! durante il montaggio della lama di taglio,

assicurarsi che i due fori X corrispondano esattamente alle due tacche Y

- Se nonostante gli accurati procedimenti di produzione e di controllo l'utensile dovesse guastarsi, la riparazione va fatta effettuare da un punto di assistenza autorizzato per gli elettroutensili SKIL
- inviare l'utensile **non smontato** assieme alle prove di acquisto al rivenditore oppure al più vicino centro assistenza SKIL (l'indirizzo ed il disegno delle parti di ricambio dell'utensile sono riportati su www.skil.com)

RISOLUZIONE DI PROBLEMI

- La seguente lista elenca sintomi di problemi, possibili cause e misure correttive (se il proprio problema non è identificato e non è possibile correggerlo, si prega di contattare il proprio rivenditore o centro assistenza)

! spegnere l'utensile ed estrarre la spina dalla presa di corrente prima di cercare di risolvere il problema

★ L'utensile non funziona

- alimentazione assente -> controllare l'alimentazione (cavo d'alimentazione, interruttori sezionatori, fusibili)
- presa di corrente difettosa -> usare un'altra presa
- cavo di prolunga danneggiato -> sostituire il cavo di prolunga
- erba troppo alta -> aumentare l'altezza di taglio e inclinare l'utensile

★ L'utensile funziona a intermittenza

- cavo di prolunga danneggiato -> sostituire il cavo di prolunga
- cavi interni difettosi -> contattare il rivenditore/centro di assistenza

★ L'utensile lascia una finitura difforme o il motore fa fatica

- altezza di taglio troppo bassa -> aumentare l'altezza di taglio
- la lama di taglio non taglia -> sostituire la lama di taglio
- parte inferiore dell'utensile molto ostruita -> pulire l'utensile
- altezza di taglio non uniforme -> impostare le 4 ruote alla stessa altezza di taglio

★ La lama di taglio non gira

- lama di taglio ostruita -> rimuovere l'ostruzione
- dado/bullone della lama allentato -> serrare dado/bullone

★ L'utensile vibra in modo anomalo

- lama di taglio danneggiata -> sostituire la lama di taglio
- dado/bullone della lama allentato -> serrare dado/bullone

TUTELA DELL'AMBIENTE

- **Non gettare l'utensile elettrico, gli accessori e l'imballaggio tra i rifiuti domestici** (solo per paesi UE)
- secondo la Direttiva Europea 2002/96/CE sui rifiuti di utensili elettrici ed elettronici e la sua attuazione in conformità alle norme nazionali, gli utensili elettrici esausti devono essere raccolti separatamente, al fine di essere reimpiagati in modo eco-compatibile
- il simbolo (11) vi ricorderà questo fatto quando dovrete eliminarle

DICHIARAZIONE DEI CONFORMITÀ CE

- Assumendone la piena responsabilità, dichiariamo che il prodotto descritto nei "Dati tecnici" è conforme alle seguenti normative ed ai relativi documenti: EN 60335, EN 61000, EN 55014 in base alle prescrizioni delle direttive 2006/95/EG, 2004/108/EG, 2006/42/EG, 2000/14/EG, 2011/65/UE
- Fascicolo tecnico presso:** SKIL Europe BV (PT-SEU/ENG1), 4825 BD Breda, NL

Marijn van der Hoofden
Operations & Engineering

Olaf Dijkgraaf
Approvals Manager

SKIL Europe BV, 4825 BD Breda, NL

25.07.2013

CE12

RUMOROSITÀ/VIBRAZIONE

- Misurato in conformità al EN 60335 il livello di pressione acustica di questo utensile è 73 dB(A) ed il livello di potenza acustica 93 dB(A) (deviazione standard: 1,5 dB), e la vibrazione 2,5 m/s² (metodo mano-braccio; incertezza K = 1,5 m/s²)
- Misurato secondo 2000/14/CE (EN/ISO 3744) il livello di potenza acustica garantito LWA è inferiore a 94 dB(A) (procedimento di valutazione della conformità secondo appendice VI)

Organismo notificato: KEMA, Arnhem, NL

Numero identificativo dell'Organismo notificato: 0344

- Il livello di emissione delle vibrazioni è stato misurato in conformità a un test standardizzato stabilito dalla norma EN 60335; questo valore può essere utilizzato per mettere a confronto un l'utensile con un altro o come valutazione preliminare di esposizione alla vibrazione quando si impiega l'utensile per le applicazioni menzionate

- se si utilizza l'utensile per applicazioni diverse, oppure con accessori differenti o in scarse condizioni, il livello di esposizione potrebbe **aumentare** notevolmente
- i momenti in cui l'utensile è spento oppure è in funzione ma non viene effettivamente utilizzato per il lavoro, possono contribuire a **ridurre** il livello di esposizione

! proteggersi dagli effetti della vibrazione effettuando la manutenzione dell'utensile e dei relativi accessori, mantenendo le mani calde e organizzando i metodi di lavoro

H

Fűnyiró gép

0715

BEVEZETÉS

- Ez a szerszám kizárólag otthoni fűnyírásra alkalmas
- A szerszám nem professzionális használatra készült
- Ellenőrizze, hogy a csomag tartalmazza-e az ábrán látható összes alkatrészt ②
- Hiányzó vagy sérült alkatrész esetén forduljon a kereskedőhöz
- Összeszerelési útmutató ②

- a rajzokon szereplő számok sorrendje megfelel a fűnyíró gép összeszerelésakor végrehajtandó lépések sorrendjének

! minden csavart és anyát jól húzzon meg

- A használat előtt gondosan olvassa el ezt a kézikönyvet és tartsa meg, hogy később is használhassa ④

MŰSZAKI ADATOK ①

SZERSZÁMGÉP ELEMEI ③

- A** Tápkábel rögzítő horog
- B** Tápkábelrögzítő csipesz
- C** Biztonsági kapcsoló
- D** Indítókapcsoló
- E** Fűgyűjtő tartály
- F** "Fűgyűjtő tartály tele" jelző
- G** Biztosító szárnyas anya
- H** Szállítófogantyú
- J** Szellőzőnyílások
- K** Hátsó védőburkolat

BIZTONSÁG

ÁLTALÁNOS BIZTONSÁGI ELŐÍRÁSOK

⚠ FIGYELEM! Olvassa el az összes biztonsági figyelmeztetést és előírást. A következőkben leírt előírások betartásának elmulasztása áramütésekhez, tűzhöz és/vagy súlyos testi sérülésekhez vezethet. **Kérjük a későbbi használatra gondosan őrizze meg ezeket az előírásokat.** Az alább alkalmazott elektromos kéziszerszám fogalom a hálózati elektromos kéziszerszámokat (hálózati csatlakozó kábelrel) és az akkumulátoros elektromos kéziszerszámokat (hálózati csatlakozó kábel nélkül) foglalja magában.

1) MUNKAHELYI BIZTONSÁG

- Tartsa tisztán és tartsa rendben a munkahelyét.** Rendetlen munkahelyek vagy megvilágítatlan munkaterületek balesetekhez vezethetnek.
- Ne dolgozzon az elektromos kéziszerszámmal olyan robbanásveszélyes környezetben, ahol éghető folyadékok, gázok vagy porok vannak.** Az elektromos kéziszerszámok szikrákat bocsáthatnak ki, amelyek meggyújthatják a port vagy a gőzöket.
- Tartsa távol a gyerekeket és az idegen személyeket a munkahelytől, ha az elektromos kéziszerszámot használja.** Ha elvonják a figyelmét a munkától, könnyen elvesztheti az uralmát a berendezés felett.

2) ELEKTROMOS BIZTONSÁGI ELŐÍRÁSOK

- A készülék csatlakozó dugójának bele kell illeszkednie a dugaszolóaljzatba. A csatlakozó dugót semmilyen módon sem szabad megváltoztatni. Védőföldeléssel ellátott készülékekkel kapcsolatban ne használjon csatlakozó adaptert.** A változtatás nélküli csatlakozó dugók és a megfelelő dugaszoló aljzatok csökkentik az áramütés kockázatát.
- Ne érjen hozzá földel felületekhez, mint csövekhez, fűtőtestekhez, kályhákhoz és hűtőszekrényekhez.** Az áramütési veszély megnövekszik, ha a teste le van földelve.

- c) **Tartsa távol az elektromos kéziszerszámtól az esőtől és a nedvesség hatásaitól.** Ha víz hatol be egy elektromos kéziszerszámba, ez megnöveli az áramütés veszélyét.
- d) **Ne használja a kábelt a rendeltetésétől eltérő célokra, vagyis a szerszámtól soha ne hordozza vagy akassza fel a kábelnél fogva, és soha ne húzza ki a hálózati csatlakozó dugót a kábelnél fogva. Tartsa távol a kábelt hőforrásoktól, olajtól, éles élektől, sarkaktól és mozgó gépalkatrészekről.** Egy megrongálódott vagy csomókkal teli kábel megnöveli az áramütés veszélyét.
- e) **Ha egy elektromos kéziszerszámmal a szabad ég alatt dolgozik, csak a szabadban való használatra engedélyezett hosszabbítót használjon.** A szabadban való használatra engedélyezett hosszabbító használata csökkenti az áramütés veszélyét.
- f) **Ha nem lehet elkerülni az elektromos kéziszerszám nedves környezetben való használatát, alkalmazzon egy földzárlat megszakítót.** Egy földzárlat megszakító alkalmazása csökkenti az áramütés kockázatát.
- 3) SZEMÉLYI BIZTONSÁGI ELŐÍRÁSOK**
- a) **Munka közben mindig figyeljen, ügyeljen arra, amit csinál, és megdölgőn dolgozzon az elektromos kéziszerszámmal.** Ha fáradt, ha kábítószerek vagy alkohol hatása alatt áll, vagy orvságokat vett be, ne használja a berendezést. A berendezéssel végzett munka közben már egy pillanatnyi figyelmetlenség is komoly sérülésekhez vezethet.
- b) **Viseljen személyi védőfelszerelést és mindig viseljen védőszemüveget.** A személyi védőfelszerelések, mint porvédő álc, csúszásbiztos védőcipő, védősapka és fülvédő használata az elektromos kéziszerszám használata jellegének megfelelően csökkenti a személyes sérülések kockázatát.
- c) **Kerülje el a készülék akaratlan üzembe helyezését. Győződjön meg arról, hogy az elektromos kéziszerszám ki van kapcsolva, mielőtt bedugná a csatlakozó dugót a dugaszolóaljzatba, csatlakoztatná az akkumulátor-csomagot, és mielőtt felvenné és vinni kezdené az elektromos kéziszerszámtól.** Ha az elektromos kéziszerszám felemelése közben az újít a kapcsolón tartja, vagy ha a készüléket bekapcsol állapotban csatlakoztatja az áramforráshoz, ez balesetekhez vezethet.
- d) **Az elektromos kéziszerszám bekapcsolása előtt okvetlenül távolítsa el a beállító szerszámokat vagy csavarkulcsokat.** Az elektromos kéziszerszám forgó részeiben felejtett beállító szerszám vagy csavarkulcs sérüléseket okozhat.
- e) **Ne becsülje túl önmagát. Kerülje el a normálístól eltérő testtartást, ügyeljen arra, hogy mindig biztosan álljon és az egyensúlyát megtartsa.** Így az elektromos kéziszerszám felett váratlan helyzetekben is jobban tud uralkodni.
- f) **Viseljen megfelelő ruhát. Ne viseljen bő ruhát vagy ékszereket. Tartsa távol a haját, a ruháját és a kesztyűjét a mozgó részekről.** A bő ruhát, az ékszereket és a hosszú haját a mozgó alkatrészek magukkal ránthatják.
- g) **Ha az elektromos kéziszerszámra fel lehet szerelni a por elszívásához és összegyűjtéséhez szükséges berendezéseket, ellenőrizze, hogy azok megfelelő módon hozzá vannak kapcsolva a készülékhez és rendeltetésüknek megfelelően működnek.** A porgyűjtő berendezések használata csökkenti a munka során keletkező por veszélyes hatását.
- 4) AZ ELEKTROMOS KÉZISZERSZÁMOK GONDOS KEZELÉSE ÉS HASZNÁLATA**
- a) **Ne terhelje túl az elektromos kéziszerszámtól.** A munkájához csak az arra szolgáló elektromos kéziszerszámtól használja. Egy alkalmas elektromos kéziszerszámmal a megadott teljesítménytartományon belül jobban és biztonságosabban lehet dolgozni.
- b) **Ne használjon olyan elektromos kéziszerszámtól, amelynek a kapcsolója elromlott.** Egy olyan elektromos kéziszerszám, amelyet nem lehet sem be-, sem kikapcsolni, veszélyes és meg kell javíttatni.
- c) **Húzza ki a csatlakozó dugót a dugaszolóaljzattól és/vagy az akkumulátor-csomagot az elektromos kéziszerszámból, mielőtt az elektromos kéziszerszámon beállítási munkákat végez, tartozékokat cserél vagy a szerszámtól tárolásra elteszi.** Ez az elővigyázatossági intézkedés meggátolja a szerszám akaratlan üzembe helyezését.
- d) **A használaton kívüli elektromos kéziszerszámokat olyan helyen tárolja, ahol azokhoz gyerekek ne férhessenek hozzá. Ne hagyja, hogy olyan személyek használják az elektromos kéziszerszámtól, akik nem ismerik a szerszámtól, vagy nem olvasták el ezt az útmutatót.** Az elektromos kéziszerszámok veszélyesek, ha azokat gyakorlatlan személyek használják.
- e) **A készüléket gondosan ápolja. Ellenőrizze, hogy a mozgó alkatrészek kifogástalanul működnek-e, nincsenek-e beszorulva, és nincsenek-e eltörve vagy megrongálódva olyan alkatrészek, amelyek hatással lehetnek az elektromos kéziszerszám működésére.** A megrongálódott részeket a készülék használata előtt javíttassa meg. Sok olyan baleset történik, amelyet az elektromos kéziszerszám nem kielégítő karbantartására lehet visszavezetni.
- f) **Tartsa tisztán és éles állapotban a vágószerszámokat.** Az éles vágóélekkel rendelkező és gondosan ápolott vágószerszámok ritkábban ékelődnek be és azokat könnyebben lehet vezetni és irányítani.
- g) **Az elektromos kéziszerszámokat, tartozékokat, betétszerszámokat stb. csak ezen előírásoknak használja. Vegye figyelembe a munkafeltételeket és a kivitelezendő munka sajátosságait.** Az elektromos kéziszerszám eredeti rendeltetésétől eltérő célokra való alkalmazása veszélyes helyzetekhez vezethet.
- 5) SZERVIZ**
- a) **Az elektromos kéziszerszámtól csak szakképzett személyzet és csak eredeti pótalkatrészek felhasználásával javíthatja.** Ez biztosítja, hogy az elektromos kéziszerszám biztonságos szerszám maradjon.

FŰNYÍRÓ GÉPEK SPECIÁLIS BIZTONSÁGI RENDSZABÁLYAI

A SZERSZÁMON TALÁLHATÓ SZIMBÓLUMOK MAGYARÁZATA

- ④ Használat előtt olvassa el a használati utasítást
- ⑤ Kettős szigetelés (földelővezeték nem szükséges)
- ⑥ **Ügyeljen a szálló hulladékok okozta sérülésveszélyre** (tartsa távol a közelben állókat a munkaterülettől)
- ⑦ Vigyázzon az éles pengékre
- ⑧ Tartsa távol a (hosszabbító) kábelt a forgó vágópengétől
- ⑨ A vágópengé a készülék kikapcsolása után egy rövid ideig még tovább forog **(ne érintse meg a forgó pengét)**
- ⑩ Kapcsolja ki, és áramtalanítsa a berendezést a tisztítás/karbantartás megkezdése előtt, illetve, ha a tápkábel vagy a hosszabbító megsérült, összegabancolódott
- ⑪ A gépet ne dobja a háztartási szemétkébe

ÁLTALÁNOS TUDNIVALÓK

- Ne használja a fűnyíró gépet, ha nedves a fű
- A balesetekért vagy másokat, illetve anyagi javakat érintő károkért, sérülésekért a felhasználó a felelős
- Ne működtesse a készüléket, ha hibás a hátsó védőburkolat vagy a fűgyűjtő tartály
- A készülék fűgyűjtő tartály nélkül történő használatokor ügyeljen arra, hogy a hátsó védőburkolat zárt helyzetben legyen **(sérülésveszély a forgó vágópengé miatt)**
- Mindig húzza ki a tápkábel dugaszát a tápcsatlakozó aljzatból
 - ha a gépet örízetlenül hagyja
 - mielőtt az elakadt anyag eltávolításába kezd
 - mielőtt a gép ellenőrzésébe, tisztításába vagy rajta végzendő egyéb tevékenységbe kezd
 - ha egy idegen tárgyba ütöközött
 - ha a gép rendellenesen vibrálni kezd

ELEKTROMOS BIZTONSÁGI ELŐÍRÁSOK

- Rendszeresen vizsgálja meg a kábelt, és cseréltesse ki szakértő által ha sérült
- A szerszám nedves környezetben történő használata esetén használjon maximum 30 mA kioldási határértékű FI relét
- Használjon teljesen letekert és biztonságos hosszabbítókábel, 16 A-es teljesítménnyel
- Kizárólag H05VV-F vagy H05RN-F típusú, kültéri használatra gyártott hosszabbító kábelt használjon, amely víz ellen védett dugasszal és dugaszolóaljzattal rendelkezik
- Ne terhelje túl, ne zúzza össze és ne húzza a (hosszabbító) vezetékét
- Tartsa távol a (hosszabbító) vezetékét hőtől, olajtól és éles peremektől
- Vizsgálja meg rendszeresen a hosszabbítót, és cserélje ki, ha megsérült **(a hibás hosszabbító veszélyes lehet)**

SZEMÉLYI BIZTONSÁGI ELŐÍRÁSOK

- Ne működtesse a készüléket mezteláb vagy nyitott szandálban; viseljen mindig erős lábbelít és hosszú nadrágot
- Ismerkedjen meg tüzetesen a kezelőszervekkel és a gép megfelelő használatával
- Ne végezzen fűnyírást emberek (különösen gyermekek) és állatok közvetlen közelében
- **Tartsa távol kezét és lábát a forgó alkatrészekről**

- **Tartsa mindig távol magát az üritőnyílástól**
- Az utasításoknak megfelelően kapcsolja be a motort, és a lábai kellő távolságban legyenek a vágópengétől
- **Ezt a készüléket nem terveztek csökkent fizikai, érzékelési vagy értelmi képességekkel rendelkező személyek (beleértve a gyerekeket), illetve tudással és tapasztalattal nem rendelkező személyek által történő használatra, hacsak nem biztosítanak számukra a készülék használatára vonatkozó kiképzést vagy felügyeletet a biztonságukért felelős személy részéről** (a helyi előírások korlátozhatják a kezelő életkorát)
- Zárja ki annak lehetőségét, hogy a gyerekek játszhatnak a szerszámmal
- A fűnyírót gyalogló sebességgel működtesse (ne szaladjon)
- Lejtőn, emelkedőn is tartsa a megfelelő helyzetet, és ne végezzen fűnyírást meredek partfalon
- Legyen nagyon óvatos, ha hátrafele közlekedik, vagy maga felé húzza a fűnyírót

HASZNÁLAT ELŐTT

- Minden használat előtt ellenőrizze, hogy helyesen működik-e a szerszám, és amennyiben meghibásodást észlel, azonnal forduljon szakképzett szerelőhöz, ön soha ne nyissa ki
- Gondosan ellenőrizze a területet, ahol a fűnyírót használni kívánja, távolítson el minden olyan kemény tárgyat, amit a vágómechanizmus elkaphat és kidobhat
- Mindig gondoskodjon a vágómechanizmus megfelelő üzemállapotáról (a kopott vagy sérült alkatrészeket cserélje ki)
- Az anyák és csavarok mindig legyenek megfelelően meghúzva, hogy biztosítva legyen a fűnyíró biztonságos üzemállapota

HASZNÁLAT KÖZBEN

- A fűnyírást végezze kellően erős napsütés vagy megfelelő fényt adó mesterséges megvilágítás mellett
- A motor beindításakor vagy bekapcsolásakor ne döntse meg a készüléket, kivéve ha magas fűben történő beindításhoz kell azt megbillenteni (ebben az esetben csak a feltétlenül szükséges mértékben döntse meg a készüléket, és csakis a kezelőtől távolabb eső részét); ügyeljen arra, hogy mindkét keze üzemi helyzetben legyen a készülék talajra történő visszahelyezése előtt
- Ügyeljen arra, hogy a vágópengé álló helyzetben legyen, amikor nem füves részekben történő áthaladáshoz dönti meg a készüléket, vagy amikor a lenyírandó területről vagy területre szállítja a fűnyírót
- A lejtőkön keresztben végezze a fűnyírást (sohasem felfelé és lefelé)
- Legyen nagyon óvatos a lejtőkön történő irányváltáskor
- Soha ne emelje fel vagy ne vigye a fűnyírót, ha a motor működik
- Mindig kapcsolja le a gépet és húzza ki a tápcsatlakozó dugaszt a tápforrásból, ha a tápvezeték vagy hosszabbító elszakadt, megsérült vagy összegabalyodott **(ne érjen a tápkábelhez, amíg a dugaszt ki nem húzta)**
- Soha ne használja a szerszámot ha a kábel sérült; cseréltesse ki szakértő által

KEZELÉS

- Tápkábelt rögzítő horog ⑫
 - akassza be a tápkábelből képzett hurkot a horogba A az ábra szerint

- a biztos rögzítéshez húzza feszesre a vezetéket
- Vágási magasság beállítás (28-48-68 mm) ⑬
- ! **húzza ki a csatlakozódugót a csatlakozóaljzatból, és ügyeljen arra, hogy a vágópenge ne forogjon tovább**
- fordítsa fel a fűnyírót
- állítsa be az elülső és a hátsó keréktengelyt a kívánt vágási magasságba (28, 48 vagy 68 mm)
- ! **ügyeljen arra, hogy a négy kerék rögzítése ugyanabban a vágási magasságban történjen**
- Biztonsági be/ki kapcsoló ⑭
- Megakadályozza a szerszám véletlen bekapcsolását
- kapcsolja be a szerszám, először lenyomva a C biztonsági kapcsolót, majd a megnyomva az D indítókapcsolót
- kapcsolja ki a szerszámot az D indítókapcsoló felengedésével
- ! **a készülék kikapcsolása után a vágópenge még néhány másodpercig tovább forog**
- Kezelési útmutató
- tartsa a fűnyírót két kézzel
- állítsa a fűnyírót a gyepp széléhez, és kezdje el a nyírást előre haladva
- az egyes fordulók után visszafelé haladva haladjon átfedésben az előzőleg nyírt csikkal
- csak száraz fűvet nyírjon
- tartsa távol a fűnyírót kemény tárgyaktól és ültetett növényektől
- hosszúra nőtt fű nyírásakor először állítsa a vágómechanikát maximális magasságra, majd a következő nyírásakor alacsonyabb magasságra
- ! **magas fű vágásakor csökkentse a haladási sebességet**
- "Fűgyűjtő tartály tele" jelző ⑮
- őrítse ki a fűgyűjtő tartályt E amint a csappantyú F magától leereszkedik, jelezve, hogy a fűgyűjtő tartály megtelt
- az optimális fűgyűjtéshez a csappantyú F alatti lyukakat rendszeresen tisztítsa meg egy kefével
- Tárolás ⑯
- a helytakarékoság érdekében hajlítsa be a készülék fogantyúját (a G szárnyas anya segítségével), és az ábrán látható módon tárolja a készüléket; **először őrítse ki a fűgyűjtő tartályt**
- ! **vigyázzon, hogy a (hosszabbító) kábel ne akadjon be a fogantyú behajtásakor/kihajtásakor (ne ejtse le a fogantyút)**
- tároláskor ne helyezzen a fűnyíróra más tárgyakat
- a fűnyírót tárolja fedett, száraz helyen

KARBANTARTÁS / SZERVIZ

- A szerszám nem professzionális használatra készült
- Mindig tartsa tisztán a gépet és a vezetéket (különös tekintettel a szellőzőnyílásokra J ③)
- A fűnyírót minden használat után takarítsa el kézi kefével és puha törőköendővel
- ! **ne használjon vizet (különösen ne nagynyomású vízpermetezőt)**
- az összetömörödött fűmaradékok távolítsa el a pengék környékéről egy fa vagy műanyag eszközzel
- Rendszeresen ellenőrizze a fűgyűjtő tartály állapotát kopás és sérülés szempontjából

- Rendszeresen ellenőrizze a pengék és a csavarok állapotát kopás és sérülés szempontjából, és az egyensúly fenntartása érdekében egy garnitúraban cseréltesse ki azokat
- A vágópenge cseréje ⑰
- ! **húzza ki a csatlakozódugót a csatlakozóaljzatból, és vegye ki a fűgyűjtő tartályt E ③**
- ! **viseljen védőkesztyűt**
- fordítsa fel a fűnyírót
- szerelje le/szerelje fel a vágópengét a 13-as villáskulccsal az ábra szerint
- ! **cseré esetén kizárólag a megfelelő típusú (SKIL cserealkatrész száma 2610Z04069, jelölése YAT 474 552) vágópengéket használjon**
- alaposan tisztítsa meg a tengely környékét és a készülék alsó részét a vágópenge felszerelése előtt
- ! **a vágópenge felszerelésekor ügyeljen arra, hogy a két X furat tökéletesen illeszkedjen a két Y ponthoz**
- Ha a gép a gondos gyártási és ellenőrzési eljárás ellenére egyszer mégis meghibásodna, akkor a javítással csak SKIL elektromos kéziszerszám-műhely ügyfélszolgálatát szabad megbízni
- küldje az **összeszerelt** gépet a vásárlást bizonyító számlával együtt a kereskedő vagy a legközelebbi SKIL szervizállomás címére (a címlista és a gép szervizdiagramja a www.skil.com címen található)

HIBAEHÁRÍTÁS

- Az alábbi lista a hibajelenségeket, azok lehetséges okait és az elhárítás módját ismerteti (ha ezek között nem található az észlelt hibajelenség, forduljon a márkakereskedőhöz vagy szakszervizhez)
- ! **a készüléket először kapcsolja ki, majd húzza ki a konnektorból, mielőtt a hiba elhárításába kezdene**
- ★ A gép nem működik
- nincs tápellátás -> ellenőrizze a tápellátást (tápkábel, kismegszakító, biztosíték)
- hibás a tápcsatlakozó aljzat -> használjon másik aljzatot
- a hosszabbító vezeték megsérült -> cserélje ki
- túl magas a fű -> növelje a vágási magasságot és döntse meg a készüléket
- ★ A szerszám szakaszosan működik
- a hosszabbító vezeték megsérült -> cserélje ki
- belső vezetékhiba -> forduljon a márkakereskedőhöz/ szakszervizhez
- ★ A készülék csipkézett felületet hagy maga után vagy a motor erőlködik
- túl alacsony a vágási magasság -> növelje a vágási magasságot
- életlen a vágópenge -> cserélje ki a vágópengét
- eltömődött a készülék alsó része -> tisztítsa ki a készüléket
- a vágási magasság nem egyforma -> állítsa be a 4 kereket azonos vágási magasságba
- ★ Nem forog a vágópenge
- elakadt a vágópenge -> szüntesse meg az elakadást
- laza a penge csavarja/csavaranányája -> húzza meg a penge csavarját/csavaranányáját
- ★ A készülék rendellenesen vibrál
- megsérült a vágópenge -> cserélje ki a vágópengét
- laza a penge csavarja/csavaranányája -> húzza meg a penge csavarját/csavaranányáját

KÖRNYEZET

- **Az elektromos kéziszerszámokat, tartozékokat és csomagolást ne dobja a háztartási szemétkébe** (csak EU-országok számára)
 - a használt villamos és elektronikai készülékekről szóló 2002/96/EK irányelv és annak a nemzeti jogba való átültetése szerint az elhasznált elektromos kéziszerszámokat külön kell gyűjteni, és környezetbarát módon újra kell hasznosítani
 - erre emlékeztet a ① jelzés, amennyiben felmerül az intézkedésre való igény

CE MEGFELELŐSÉGI NYILATKOZAT

- Egyedüli felelősséggel kijelentjük, hogy a "Műszaki adatok" alatt leírt termék megfelel a következő szabványoknak, illetve irányadó dokumentumoknak: EN 60335, EN 61000, EN 55014 a 2006/95/EK, 2004/108/EK, 2006/42/EK, 2000/14/EK, 2011/65/EU irányelveknek megfelelően
- **A műszaki dokumentáció a következő helyen található:** SKIL Europe BV (PT-SEU/ENG1), 4825 BD Breda, NL

Marijn van der Hoofden Olaf Dijkgraaf
Operations & Engineering Approvals Manager

SKIL Europe BV, 4825 BD Breda, NL

25.07.2013

CE12

ZAJ/REZGÉS

- Az EN 60335 alapján végzett mérések szerint ezen készülék hangnyomás szintje 73 dB(A) a hangteljesítmény szintje 93 dB(A) (normál eltérés: 1,5 dB), a rezgésszám 2,5 m/s² (kézre-ható érték; szórás K = 1,5 m/s²)
 - A 2000/14/EK (EN/ISO 3744) szabvány szerinti mérések alapján a garantált LWA hangteljesítmény szint alacsonyabb mint 94 dB(A) (a konformitás megállapítási eljárás leírása a VI. függelékben található) Bejelentett szervezet: KEMA, Arnhem, NL A bejelentett szervezet azonosítószáma: 0344
 - A rezgés-kibocsátási szint mérése az EN 60335 szabványban meghatározott szabványosított teszttel összhangban történt; ez egy eszközhöz egy másik eszközzel történő összehasonlítására, illetve a rezgésnek való kitettség előzetes felmérésére használható fel az eszköznek az említett alkalmazásokra történő felhasználása során
 - az eszköznek eltérő alkalmazásokra, vagy eltérő, illetve rosszul karbantartott tartozékokkal történő felhasználása jelentősen **emelheti** a kitettség szintjét
 - az idő, amikor az eszköz ki van kapcsolva, vagy amikor ugyan működik, de ténylegesen nem végez munkát, jelentősen **csökkentheti** a kitettség szintjét
- ! az eszköz és tartozékai karbantartásával, kezének melegen tartásával, és munkavégzésének megszervezésével védje meg magát a rezgések hatásaitól**

CE

Sekačka na trávú

0715

ÚVOD

- Tento nástroj je určen pouze pro domácí sekání trávniků
 - Tento nástroj není určen k profesionálnímu použití
 - Zkontrolujte, zda balení obsahuje všechny součásti, jak je zobrazeno na schématu ②
 - Pokud některé součásti chybí nebo jsou poškozené, obraťte se na prodejce
 - Montážní návod ②
 - poslušnost čísel na nákresech odpovídá poslušnosti kroků při montáži sekačky na trávú
- ! pevně dotáhněte všechny šrouby a matky**
- Před použitím si pečlivě přečtěte tento návod s pokyny a si uschovejte jej pro budoucí potřebu ④

TECHNICKÁ DATA ①

SOUČÁSTI NÁSTROJE ③

- A Zarážka šňůry
- B Svorka šňůry
- C Bezpečnostní spínač
- D Spouštěcí spínač
- E Nádoba na trávú
- F Indikátor "Nádoba na trávú plná"
- G Zajištění křídlové matice
- H Rukojeť pro převážení
- J Větrací štěrbiny
- K Zadní krypt

BEZPEČNOST

VŠEOBECNÉ BEZPEČNOSTNÍ PŘEDPISY

⚠ POZOR! Čtete všechna varovná upozornění a pokyny. Zanedbání při dodržování varovných upozornění a pokynů mohou mít za následek úder elektrickým proudem, požár a/nebo těžká poranění. **Všechna varovná upozornění a pokyny do budoucna uschovejte.** Ve varovných upozorněních použitý pojem "elektronářadí" se vztahuje na elektronářadí provozované na el. síti (se síťovým kabelem) a na elektronářadí provozované na akumulátoru (bez síťového kabelu).

1) BEZPEČNOST PRACOVNÍHO MÍSTA

- a) **Udržujte Vaše pracovní místo čisté a uklizené.** Nepořádek nebo neosvětlené pracovní oblasti mohou vést k úrazům.
- b) **Se strojem nepracujte v prostředích ohrožených explozí, kde se nacházejí hořlavé kapaliny, plyny nebo prach.** Elektronářadí vytváří jiskry, které mohou prach nebo páry zapálit.
- c) **Děti a jiné osoby udržujte při použití elektronářadí daleko od Vašeho pracovního místa.** Při rozptýlení můžete ztratit kontrolu nad strojem.

2) ELEKTRICKÁ BEZPEČNOST

- a) **Připojovací zástrčka stroje musí lícovat se zásuvkou. Zástrčka nesmí být žádným způsobem**

- upravena. Společně se stroji s ochranným uzemněním nepoužívejte žádné adaptérové zástrčky. Neupravené zástrčky a vhodné zásuvky snižují riziko elektrického úderu.
- b) **Zabraňte kontaktu těla s uzemněnými povrchy, jako např. potrubí, topení, sporáky a chladničky.** Je-li Vaše tělo uzemněno, existuje zvýšené riziko elektrického úderu.
 - c) **Chraňte stroj před deštěm a vlhkem.** Vniknutí vody do elektrického stroje zvyšuje nebezpečí elektrického úderu.
 - d) **Dbejte na účel kabelu, nepoužívejte jej k nošení či zavěšení stroje nebo vytažení zástrčky ze zásuvky.** Udržujte kabel daleko od tepla, oleje, ostrých hran nebo pohyblivých dílů stroje. Poškozené nebo spletené kabely zvyšují riziko elektrického úderu.
 - e) **Pokud pracujete s elektronářadím venku, použijte pouze takové prodlužovací kabely, které jsou schváleny i pro venkovní použití.** Použití prodlužovacího kabelu, jež je vhodný pro použití venku, snižuje riziko elektrického úderu.
 - f) **Pokud se nelze vyhnout provozu elektronářadí ve vlhkém prostředí, použijte ochranný jistič.** Nasazení ochranného jističe snižuje riziko úderu elektrickým proudem.
- 3) BEZPEČNOST OSOB**
- a) **Buďte pozorní, dávejte pozor na to, co děláte a přistupujte k práci s elektronářadím rozumně. Stroj nepoužívejte pokud jste unaveni nebo pod vlivem drog, alkoholu nebo léků.** Moment nepozornosti při použití elektronářadí může vést k vážným poraněním.
 - b) **Noste osobní ochranné pomůcky a vždy ochranné brýle.** Nošení osobních ochranných pomůcek jako maska proti prachu, bezpečnostní obuv s protiskluzovou podrážkou, ochranná přilba nebo sluchátka, podle druhu nasazení elektronářadí, snižují riziko poranění.
 - c) **Zabraňte neúmyslnému uvedení do provozu. Přesvědčte se, že je elektronářadí vypnuté dříve než jej uchopíte, poneseťe či připojíte na zdroj proudu a/nebo akumulátor.** Máte-li při nošení elektronářadí prst na spínači nebo pokud stroj připojíte ke zdroji proudu zapnutý, pak to může vést k úrazům.
 - d) **Než stroj zapnete, odstraňte seřizovací nástroje nebo šroubovák.** Nástroj nebo klíč, který se nachází v otáčivém dílu stroje, může vést k poranění.
 - e) **Nepřeceňujte se. Zajistěte si bezpečný postoj a vždy udržujte rovnováhu.** Tím můžete stroj v neočekávaných situacích lépe kontrolovat.
 - f) **Noste vhodný oděv. Nenoste žádný volný oděv nebo šperky. Vlasy, oděv a rukavice udržujte daleko od pohyblivých se dílů.** Volný oděv, šperky nebo dlouhé vlasy mohou být zachyceny pohyblivými se díly.
 - g) **Lze-li namontovat odsávací či zachycující přípravky, přesvědčte se, že jsou připojeny a správně použity.** Použití odsávání prachu může snížit ohrožení prachem.
- 4) SVĚDOMITĚ ZACHÁZENÍ A POUŽÍVÁNÍ ELEKTRONÁŘADÍ**
- a) **Stroj nepřetěžujte. Pro svou práci použijte k tomu určený stroj.** S vhodným elektronářadím budete pracovat v udané oblasti výkonu lépe a bezpečněji.
 - b) **Nepoužívejte žádné elektronářadí, jehož spínač je vadný.** Elektronářadí, které nelze zapnout či vypnout je

nebezpečné a musí se opravit.

- c) **Než provedete seřízení stroje, výměnu dílů příslušenství nebo stroj odložíte, vytáhněte zástrčku ze zásuvky a/nebo odstraňte akumulátor.** Toto preventivní opatření zabrání neúmyslnému zapnutí stroje.
 - d) **Uchovávejte nepoužívané elektronářadí mimo dosah dětí. Nenechte stroj používat osobám, které se strojem nejsou seznámeny nebo nečetly tyto pokyny.** Elektronářadí je nebezpečné, je-li používáno nezkušenými osobami.
 - e) **Pečujte o stroj svědomitě. Zkontrolujte, zda pohyblivé díly stroje bezvadně fungují a nevzpříčují se, zda díly nejsou zlomené nebo poškozené tak, že je omezena funkce stroje. Poškozené díly nechte před nasazením stroje opravit.** Mnoho úrazů má příčinu ve špatně udržovaném elektronářadí.
 - f) **Řezné nástroje udržujte ostré a čisté.** Pečlivě ošetřované řezné nástroje s ostrými řeznými hranami se méně vzpříčují a dají se lehčeji vést.
 - g) **Používejte elektronářadí, příslušenství, nasazovací nástroje apod. podle těchto pokynů. Respektujte přítom pracovní podmínky a prováděnou činnost.** Použití elektronářadí pro jiné než určující použití může vést k nebezpečným situacím.
- 5) SERVIS**
- a) **Nechte Váš stroj opravit pouze kvalifikovaným odborným personálem a pouze s originálními náhradními díly.** Tím bude zajištěno, že bezpečnost stroje zůstane zachována.

SPECIFICKÉ BEZPEČNOSTNÍ POKYNY PRO SEKAČKY NA TRÁVU

VYSVĚTLENÍ SYMBOLŮ NA NÁŘADÍ

- ④ Před použitím si přečtěte návod k použití
- ⑤ Dvojité izolace (není nutný zemnicí drát)
- ⑥ **Chraňte se před zraněními způsobenými poletujícími částicemi materiálu** (zajistěte, aby se osoby v okolí nacházely v bezpečné vzdálenosti od pracovního prostoru)
- ⑦ Dejte pozor na ostré čepce
- ⑧ Udržujte (prodlužovací) šňůru v dostatečné vzdálenosti od točící se sekačce čepce
- ⑨ Sekací čepel po vypnutí nástroje ještě chvíli pokračuje v otáčivém pohybu (**otáčející se čepce se nedotýkejte**)
- ⑩ Před čištěním či údržbou nebo při poškození či zamotání prodlužovacího kabelu nástroj vždy vypněte a odpojte od napájení
- ⑪ Nářadí nevyhazujte do komunálního odpadu

OBECNĚ

- Vyhňěte se použití sekačky na mokřím trávníku
- Uživatel je odpovědný za nehody a nebezpečí hrozící jiným osobám a jejich majetku
- Pokud je poškozený zadní kryt nebo nádoba na trávu, nikdy nástroj nepoužívejte
- Pokud nástroj používáte bez nádoby na trávu, ujistěte se, že je zadní kryt v uzavřené pozici (**nebezpečí poranění způsobeného otáčející se sekačcí čepelí**)
- Zástrčku vždy odpojte od zdroje napájení
 - kdykoli ponecháváte nástroj bez dozoru
 - před čištěním uvíznutého materiálu
 - před kontrolou, čištěním nebo prací na přístroji

- po naražení do cizího předmětu
- kdykoli nástroj začne neobvykle vibrovat

ELEKTRICKÁ BEZPEČNOST

- Pravidelně kontrolujte šňůru a v případě poškození nechte si je kvalifikovaným pracovníkem vyměnit
- Při práci s nářadím ve vlhkém prostředí používejte proudový chránič se spouštěcím proudem maximálně 30 mA
- Používejte zcela rozvinutá a bezpečně prodlužovací šňůry o kapacitě 16 ampér
- Používejte pouze prodlužovací šňůru typu H05VV-F nebo H05RN-F, která je určena k venkovnímu použití a je vybavena vodotěsnou zástrčkou a spojovací zásuvkou
- Přes (prodlužovací) šňůru nepřejíždějte, nezatěžujte ji ani za ni netahujte
- Chraňte (prodlužovací) šňůru před žárem, olejem a ostrými hranami
- Prodlužovací šňůru pravidelně kontrolujte, a pokud je poškozená, vyměňte ji **(nevhodné prodlužovací šňůry mohou být nebezpečné)**

BEZPEČNOST OSOB

- S nástrojem nepracujte bosí nebo v otevřených sandálech; noste vždy plnou obuv a dlouhé kalhoty
- Seznamte se s ovládacími prvky a správným použitím nástroje
- Nikdy nesekejte v bezprostřední blízkosti osob (zejména dětí) a zvířat
- **Nikdy nepřibližujte ruce a nohy k otočným součástem**
- **Vždy udržujte bezpečnou vzdálenost od výstupního otvoru**
- Motor spouštějte podle pokynů a s nohama v bezpečné vzdálenosti od sekací čepel
- **Tento nástroj není určený k používání osobami (včetně dětí) s omezenými fyzickými, smyslovými či mentálními schopnostmi nebo s nedostatkem zkušeností a vědomostí, pokud na ně není dohlédnuto nebo nedostaly pokyny týkající se zacházení s nástrojem od osoby zodpovědné za jejich bezpečnost** (místní předpisy mohou omezovat věk obsluhující osoby)
- Postarejte se, aby si děti nehrály s nástrojem
- Pohybujte sekačkou pouze rychlostí chůze (neutíkejte)
- Na svazích udržujte stabilní postoj a nesekejte na příliš strmých svazích
- Bud'te zvláště opatrní při sekání směrem dozadu nebo při přitahování sekačky směrem k sobě

PŘED POUŽITÍM

- Před každým použitím zkontrolujte funkčnost nástroje a v případě poruchy jej dejte ihned opravit kvalifikovanou osobou; nástroj nikdy sami neotevírejte
- Pečlivě prohleďte plochu, na níž chcete sekačku použít, a odstraňte všechny tvrdé předměty, které by se mohly zachytit do stříhacího mechanismu a být odhozeny
- Vždy zkontrolujte, zda je stříhací mechanismus v řádném provozním stavu (opotřebená nebo poškozená součásti nechejte vyměnit)
- Všechny matice, svorníky a šrouby utáhněte tak, aby byla sekačka v bezpečném provozním stavu

BĚHEM POUŽITÍ

- Sekajte pouze při dostatečně intenzivním denním světle nebo umělém osvětlení
- Při startování nebo zapínání motoru nástroj

- nenaklánejte, pokud jej není třeba naklonit za účelem nastartování ve vysoké trávě (v tomto případě jej nenaklánejte více, než je nutné, a naklánejte pouze část vzdálenou od obsluhy); než vrátíte nástroj na zem, vždy se ujistěte, že máte obě ruce v provozní poloze
- Pokud nástroj naklánete, aby bylo možné přejet jiný povrch, než je tráva, a při jeho přesunu na místo a z místa, kde se bude sekát, se ujistěte, že se sekací čepel zcela zastavila
- Na svahu sekejte trávu vodorovně (nikdy při jízdě nahoru a dolů)
- Při změně směru na svahu dbejte mimořádné opatrnosti
- Nikdy sekačku na trávu nezvedejte ani nepřeházejte, pokud motor běží
- Dojde-li k přeseknutí, poškození nebo zamotání prodlužovacího kabelu napájení, nástroj vždy vypněte a odpojte od zdroje napájení **(před odpojením od napájení se kabelu nedotýkejte)**
- Pila se nesmí používat, je-li její přívodní šňůra poškozená; nechte si je kvalifikovaným pracovníkem vyměnit

OBSLUHA

- Zarážka šňůry ⑫
 - zahákněte smyčku na prodlužovací šňůře za záražku A, jak znázorňuje obrázek
 - pevným utažením prodlužovací šňůry zajistěte
- Nastavení výšky sečení (28-48-68 mm) ⑬
 - ! odpojte zástrčku od elektrické sítě a přesvědčte se, že se sekací čepel přestala otáčet**
 - obraťte sekačku vzhůru nohama
 - osu předních i zadních koleček umístěte do požadované pozice pro určitou výšku sekání (28, 48 nebo 68 mm)
 - ! ujistěte se, že jsou všechna čtyři kolečka zajištěna ve stejné výšce sekání**
- Bezpečnostní spínač zapnuto/vypnuto ⑭
 - Zabraňuje náhodnému zapnutí nářadí
 - chcete-li nářadí zapnout, stiskněte nejdřív bezpečnostní vypínač C a poté potáhněte přepínač D
 - vypnete nářadí uvolněním přepínače D
 - ! po vypnutí nástroje se čepel ještě několik sekund otáčí**
- Návod k používání
 - držte sekačku oběma rukama
 - umístěte sekačku na okraj trávníku a sekejte směrem vpřed
 - na konci každého pruhu se obraťte tak, aby se pruhy vzájemně mírně překrývaly
 - používejte sekačku pouze na suché trávě
 - vyhýbejte se tvrdým předmětům a rostlinám
 - při sekání dlouhé trávy nejprve nastavte stříhací mechanismus na maximální výšku sečení a pak výšku sečení snižte
 - ! přizpůsobte své tempo chůze při sekání vysoké trávy**
- Indikátor "Nádoba na trávu plná" ⑮
 - nádobu na trávu E vyprázdněte, jakmile se klapka sníží F a signalizuje, že nádoba na trávu je plná
 - pro optimální sběrný výkon trávy pravidelně čistěte otvory pod klapkou F kartáčkem
- Skladování ⑯
 - chcete-li ušetřit místo, složte držadlo nástroje

(pomocí křídlové matice G) a uložte nástroj tak, jak je znázorněno na obrázku; **nejprve vyprázdněte nádobu na trávu**

! ujistěte se, že se (prodlužovací) šňůra nezachytíla při skládání/rozkládání držadla nástroje (držadlo neupustěte)

- při uskladnění nepokládejte na sekačku jiné předměty
- skladujte sekačku pod přístřeším na suchém místě

ÚDRŽBA / SERVIS

- Tento nástroj není určen k profesionálnímu použití
- Nástroj a přírodní šňůru udržujte čisté (zejména větrací šterbiny J ③)

- Po každém použití očistěte sekačku kartáčem a měkkým hadříkem

! nepoužívejte vodu (zejména ne vysokotlaké čističe)

- pomocí dřevěného nebo plastového nástroje vyjměte stlačené odstřížky trávy z prostoru čepelí

- Pravidelně kontrolujte, zda nádoba na trávu není opotřebená nebo poškozená
- Pravidelně kontrolujte, zda nejsou čepele nebo šrouby opotřebené či poškozené a jejich výměnou v sadách udržujte rovnováhu

- Výměna sekací čepele ①

! odpojte zástrčku od zdroje napájení a vyjměte nádobu na trávu E ③

! noste ochranné rukavice

- obraťte sekačku vzhůru nohama

- vyjměte/upevněte sekací čepel pomocí klíče 13, jak je znázorněno na obrázku

! používejte pouze náhradní stříhací čepele správného typu (číslo náhradního dílu SKIL 2610Z04069, označení YAT 474 552)

- před upevněním sekací čepele důkladně očistěte oblast dířku a spodní stranu nástroje

! při upevněování sekací čepele se ujistěte, že do dvou otvorů X dokonale zapadají dva výstupky Y

- Pokud dojde i přes pečlivou výrobu a náročné kontroly k poruše nástroje, svěřte provedení opravy autorizovanému servisnímu středisku pro elektronářadí firmy SKIL

- zašlete nástroj **nerozebraný** spolu s potvrzením o nákupu své prodejny nebo nejbližšímu servisu značky SKIL (adresy a servisní schéma nástroje najdete na www.skil.com)

ŘEŠENÍ PROBLÉMŮ

- Následující seznam uvádí příznaky problémů, možné příčiny a způsoby nápravy (pokud vám k určení problému a jeho vyřešení nepomůže, obraťte se na svého prodejce nebo servis)

! před zkoumáním problému nářadí vypněte a odpojte ze zásuvky

- ★ Nástroj nefunguje
 - není napájen -> zkontrolujte zdroj napájení (napájecí kabel, jističe, pojistky)
 - vadná zásuvka zdroje napájení -> použijte jinou zásuvku
 - prodlužovací šňůra je poškozená -> vyměňte prodlužovací šňůru
 - tráva příliš vysoká -> zvedněte výšku sekání a nakloňte nástroj

- ★ Nářadí pracuje přerušovaně
 - prodlužovací šňůra je poškozená -> vyměňte prodlužovací šňůru
 - poškozená vnitřní kabeláž -> obraťte se na prodejce či servis
- ★ Nástroj zanechává nerovný povrch nebo se zasekává motor
 - výška sekání příliš malá -> zvedněte výšku sekání
 - sekací čepel tupá -> vyměňte sekací čepel
 - spodní část nástroje silně ucpaná -> vyčistěte nástroj
 - výška sekání není stejnoměrná -> nastavte všechna 4 kolečka na stejnou výšku sekání
- ★ Sekací čepel se neotáčí
 - sekací čepel naráží na překážku -> odstraňte překážku
 - matice/šroub čepele uvolněné -> utáhněte matici/šroub čepele
- ★ Nástroj přehnaně vibruje
 - sekací čepel poškozená -> vyměňte sekací čepel
 - matice/šroub čepele uvolněné -> utáhněte matici/šroub čepele

ŽIVOTNÍ PROSTŘEDÍ

- **Elektrické nářadí, doplňky a balení nevyhazujte do komunálního odpadu** (jen pro státy EU)
 - podle evropské směrnice 2002/96/EG o nakládání s použitými elektrickými a elektronickými zařízeními a odpovídajících ustanovení právních předpisů jednotlivých zemí se použitá elektrická nářadí, musí sbírat odděleně od ostatního odpadu a podrobit ekologicky šetrnému recyklování
 - symbol ① na to upozorňuje

PROHLÁŠENÍ O SHODĚ Č E

- Prohlašujeme v plné naší odpovědnosti, že v odstavci "Technická data" popsaný výrobek je v souladu s následujícími normami nebo normativními dokumenty: EN 60335, EN 61000, EN 55014 podle ustanovení směrnic 2006/95/ES, 2004/108/ES, 2006/42/ES, 2000/14/ES, 2011/65/EU
- **Technická dokumentace u:** SKIL Europe BV (PT-SEU/ENG1), 4825 BD Breda, NL

Marijn van der Hoofden
Operations & Engineering

Olaf Dijkgraaf
Approvals Manager

SKIL Europe BV, 4825 BD Breda, NL

25.07.2013

CE12

HLUČNOSTI/VIBRACÍ

- Měřeno podle EN 60335 činí tlak hlukové vlny tohoto přístroje 73 dB(A) a dávká hlukčnosti 93 dB(A) (standardní odchylka: 1,5 dB), a vibrací 2,5 m/s² (metoda ruka-paže; nepřesnost K = 1,5 m/s²)
- Měřeno podle 2000/14/ES (EN/ISO 3744) zaručená dávká hlukčnosti LWA je nižší než 94 dB(A) (metoda posouzení shody podle dodatku VI)
Ohlašovací orgán : KEMA, Arnhem, NL
Identifikační číslo ohlašovacího orgánu : 0344
- Úroveň vibrací byla měřena v souladu se standardizovaným testem podle EN 60335; je možné

ji použit ke srovnání jednoho přístroje s druhým a jako předběžné posouzení vystavování se vibracím při používání přístroje k uvedeným aplikacím

- používání přístroje k jiným aplikacím nebo s jiným či špatně udržovaným příslušenstvím může zásadně **zvýšit** úroveň vystavení se vibracím
- doba, kdy je přístroj vypnutý nebo kdy běží, ale ve skutečnosti není využíván, může zásadně **snížit** úroveň vystavení se vibracím

! chraňte se před následky vibrační tak, že budete dbát na údržbu přístroje a příslušenství, budete si udržovat teplé ruce a uspořádáte si své pracovní postupy

TR

Çim biçme makinesi

0715

GİRİS

- Bu alet, sadece tüketicilerin çim biçme işlemi için tasarlanmıştır
- Bu alet profesyonel kullanıma yönelik değildir
- Ambalajın içinde, çizim ②'de gösterilen tüm parçaların bulunup bulunmadığını kontrol edin
- Parçaların eksik veya hasarlı olması durumunda bayinizle temasa geçin
- Montaj talimatları ②
 - çizimdeki sayıların sırası çim biçme makinesinin montajı için izlenmesi gereken adımları göstermektedir
- **! tüm vidaları ve somunları sıkıca sıkın**
- Kullanmadan önce bu kılavuzu dikkatli bir şekilde okuyun ve ileride ihtiyacınız olduğunda kullanmak için saklayın ④

TEKNİK VERİLER ①

ALET BİLEŞENLERİ ③

- A Kablo tutucu
- B Kablo klipsi
- C Güvenlik şalteri
- D Tetik sviç
- E Çim toplama kutusu
- F "Çim toplama kutusu dolu" göstergesi
- G Tespit kelebek somunu
- H Nakliye kolu
- J Havalandırma yuvaları
- K Arka muhafaza

GÜVENLİK

GENEL GÜVENLİK TALİMATI

⚠ DİKKAT! Bütün uyarıları ve talimat hükümlerini okuyun. Açıklanan uyarılara ve talimat hükümlerine uyulmadığı takdirde elektrik çarpmalarına, yangınlara ve/veya ağır yaralanmalara neden olunabilir. **Bütün uyarıları ve talimat hükümlerini ileride kullanmak üzere saklayın.** Uyan ve talimat hükümlerinde kullanılan "elektrikli el aleti" kavramı, akım şebekesine bağlı (şebeke bağlantılı kablolu) aletlerle akü ile çalışan aletleri (akım şebekesine bağlantısı olmayan aletler) kapsamaktadır.

1) ÇALIŞMA YERİ GÜVENLİĞİ

- Çalıştığınız yeri temiz ve düzenli tutun.** İşyerindeki düzensizlik veya yetersiz aydınlatma kazalara neden olabilir.
- Yanıcı sıvıların, gazların veya tozların bulunduğunu patlama tehlikesi olan yer ve mekânlarda aletinizle çalışmayın.** Elektrikli el aletleri, toz veya buharların tutuşmasına veya yanmasına neden olan kıvılcıklar çıkarırlar.
- Elektrikli el aletinizle çalışırken çocukları ve başkalarını çalışma alanınızın uzağında tutun.** Yakınıınızda bulunan kişiler dikkatinizi dağıtabilir ve bu da alet üzerindeki kontrolünüzü kaybetmenize neden olabilir.

2) ELEKTRİKSEL GÜVENLİK

- Aletinizin bağlantı fişi prize uymalıdır. Fişi hiçbir şekilde değiştirmeyin. Koruyucu topraklanmalı aletlerle adaptörlü fiş kullanmayın.** Değiştirilmemiş, orijinal fiş ve uygun prizler elektrik çarpması tehlikesini azaltır.
- Borular, kalorifer tesisatı, ısıtıcılar ve buzdolapları gibi topraklanmış yüzeylerle bedensel temasa gelmekten kaçınınız.** Eğer bedeniniz topraklanacak olursa yüksek bir elektrik çarpması tehlikesi ortaya çıkar.
- Aletinizi yağmur ve nemden koruyun.** Elektrikli el aletinin içine suyun sızması elektrik çarpması tehlikesini yükseltir.
- Kabloyu kendi amacı dışında kullanmayın; örneğin aleti kablodan tutarak taşımayın, aleti kablo ile asmayın veya kablodan çekerek fişi prizden çıkarmayın.** Kabloyu aşırı sıcakta, yağlardan, keskin kenarlı cisimlerden veya aletin hareketli parçalarından uzak tutun. Hasarlı veya dolaşmış kablo elektrik çarpması tehlikesini yükseltir.
- Elektrikli el aletinizle açık havada çalışırken mutlaka açık havada kullanılmaya müsadeleli uzatma kablosu kullanınız.** Açık havada kullanılmaya uygun ve müsadeleli uzatma kablosunun kullanılması elektrik çarpması tehlikesini azaltır.
- Elektrikli el aletinin nemli ortamlarda çalıştırılması şartsa, mutlaka toprak kaçağı devre kesicisi kullanınız.** Toprak kaçağı devre kesicisi kullanımı elektrik çarpması tehlikesini azaltır.

3) KİŞİLERİN GÜVENLİĞİ

- Dikkatli olun, ne yaptığınıza dikkat edin ve elektrikli el aletinizle çalışırken makul hareket edin.** Yorgunsanız, hap, ilaç veya alkol almıyorsanız aletinizi kullanmayın. Aletinizi kullanırken bir anlık dikkatsizliğiniz ciddi yaralanmalara yol açabilir.
- Daima kişisel korunma donanımları ve bir koruyucu gözlük kullanınız.** Elektrikli el aletinin türü ve kullanımına uygun olarak kullanacağınız toz maskesi, kaymayan sağlam iş ayakkabıları, koruyucu kask veya koruyucu kulaklık gibi kişisel korunma donanımlarını kullanmanızı yaralanma tehlikesini büyük ölçüde azaltır.
- Aleti yanlışlıkla çalıştırmaktan kaçınınız.** Akım ikmal şebekesine ve/veya aküye bağlamadan, elinize alıp taşımadan önce elektrikli el aletinin kapalı durumda olduğundan emin olun. Elektrikli el aletini parmağınızın şalter üzerinde dururken taşırsanız ve alet açıkken fişi prize sokarsanız kazalara neden olabilirsiniz.
- Aleti çalıştırmadan önce ayar aletlerini veya**

tornavidaları aletten uzaklaştırın. Dönen alet parçasına temas halinde bulunan bir uç veya anahtar yarananmalara neden olabilir.

- e) **Kendinizi çok fazla güvenmeyin. Duruşunuzun güvenli olmasına dikkat edin ve daima dengeyi koruyun.** Bu sayede aletinizi beklenmedik durumlarda daha iyi kontrol edersiniz.
- f) **Uygun iş giysileri giyin. Çalışırken çok bol giysiler giymeyin ve takı takmayın. Saçlarınızı, giysilerinizi ve eldivenlerinizi aletin hareketli parçalarından uzak tutun.** Bol giysiler, takılar veya uzun saçlar aletin hareketli parçaları tarafından tutulabilir.
- g) **Aletinize toz emme donanımı ve toz tutma donanımı takılabiliyorsa, bunların bağlı olup olmadığını ve doğru işlev görüp görmediklerini kontrol edin.** Toz emme donanımının kullanımı tozdan kaynaklanabilecek tehlikeleri azaltır.
- 4) **ELEKTRİKLİ EL ALETLERİYLE DİKKATLİ ÇALIŞMAK VE ALETİ DOĞRU KULLANMAK**
 - a) **Aletinizi aşırı ölçüde zorlamayın. İşinize uygun elektrikli el aletini kullanın.** Uygun elektrikli el aleti ile belirtilen performans alanında daha iyi ve daha güvenli çalışırsınız.
 - b) **Açma/kapama şalteri arızalı olan elektrikli el aletini kullanmayın.** Açılıp kapanamayan bir elektrikli el aleti tehlikelidir ve onarılması gerekir.
 - c) **Alette bir ayarlama işlemine başlamadan ve/veya aküyü çıkarmadan önce, herhangi bir aksesuarı değiştirirken veya aleti elinizden bırakırken fişi prizden çekin.** Bu önlem, aletin kontrolünüz dışında ve istenmeden çalışmasını önler.
 - d) **Kullanım dışında iken elektrikli el aletinizi çocukların ulaşamayacağı bir yerde saklayın. Aleti kullanmayı bilmeyen veya bu güvenlik talimatını okumayan kişilerin aleti kullanmasına izin vermeyin.** Deneyimsiz kişiler tarafından kullanıldıkları takdirde elektrikli el aletleri tehlikeli olabilirler.
 - e) **Aletinizin bakımını özenle yapın. Aletin hareketli parçalarının kusursuz işlev görüp görmediklerini ve sıkışmadıklarını, parçaların kırık veya hasarlı olup olmadıklarını kontrol edin, aksi takdirde alet işlevini tam olarak yerine getiremez. Aletinizi kullanmadan önce hasarlı parçaları onartın.** Birçok iş kazası aletlerin kötü ve yetersiz bakımından kaynaklanır.
 - f) **Kesici uçları keskin ve temiz tutun.** İyi bakım görmüş kesici uçlar daha ender sıkışır ve daha iyi yönlendirilirler.
 - g) **Elektrikli el aletlerini, aksesuarı, uçları ve benzerlerini bu güvenlik talimatına uygun olarak kullanın. Aletinizi kullanırken çalışma koşullarını ve yaptığınız işi daima dikkate alın.** Elektrikli el aletlerini kendileri için öngörülen işlerin dışında kullanmak tehlikeli durumların ortaya çıkmasına neden olabilir.
- 5) **SERVİS**
 - a) **Aletinizi sadece uzman bir elemana ve orijinal yedek parçalar kullanılarak onartın.** Böylelikle aletin güvenliğini korumuş olursunuz.

ÇİM BİÇME MAKİNESİNE YÖNELİK ÖZEL GÜVENLİK TALİMATLARI

ALET ÜZERİNDEKİ SİMGELERİN AÇIKLAMASI

- ④ Kullanmadan önce kılavuzu okuyun
- ⑤ Çift yalıtım (topraklama kablosu gerekli değildir)
- ⑥ **Fırlayan çöpler tarafından meydana gelebilecek yaralanma tehlikelerine dikkat edin** (seyredenleri çalışma alanında güvenli bir uzaklıkta tutun)
- ⑦ Keskin bıçaklara dikkat edin
- ⑧ Kabloyu (uzatma) dönen kesme bıçağından uzak tutun
- ⑨ Kesme bıçağı, alet kapatıldıktan sonra kısa bir süre dönmeye devam eder (**döner bıçağa dokunmayın**)
- ⑩ Temizleme/bakım işleminden önce veya (uzatma) kablosu hasar görmüşse ya da dolaşmışsa aleti kapatın fişini çekin
- ⑪ Aleti evdeki çöp kutusuna atmayınız

GENEL

- Biçme makinesini ıslak çimler üzerinde kullanmaktan kaçının
- İnsanların yaranmalarından veya nesnelere oluşan zararlardan kullanıcı sorumludur
- Aleti asla hasar görmüş bir arka muhafazayla ya da kusurlu çim toplama kutusuyla birlikte kullanmayın
- Makineyi çim toplama kutusu olmadan kullanırken, arka muhafazanın kapalı konumda olmasını sağlayın (**döner kesme bıçağı tarafından neden olabilecek yaralanma tehlikesi**)
- Aşağıdaki durumlarda aletin fişini daima elektrik kaynağından çekin
 - aleti her gözetimsiz bıraktığınızda
 - sıkıyım maddeleri temizlemeden önce
 - alet üzerinde kontrol, temizlik işlemi veya çalışma gerçekleştirmeden önce
 - yabancı bir maddeye çarptıktan sonra
 - alet anormal şekilde titremeye başladığında

ELEKTRİKSEL GÜVENLİK

- Düzenli aralıklarla kablosunu kontrol edin ve hasar gören kısımlarını yetkili servis personeli tarafından değiştirilmesini sağlayın
- Aleti nemli ortamlarda kullanırken, en fazla 30 mA tetikleyici akıma sahip bir artık akım cihazı (AKC) kullanın
- Tamamen kusursuz ve güvenli 16 Amp uzatma kabloları kullanın
- Yalnızca dış ortamlarda kullanılmak üzere tasarlanmış ve su geçirmez bir fişi olan ek prizli H05VV-F veya H05RN-F türünde uzatma kablosu kullanın
- Kabloyu (uzatma) basmayın, ezmeyin veya çekmeyin
- Kabloyu (uzatma) ısıya, yağa ve sivri cisimlere karşı koruyun
- Düzenli aralıklarla uzatma kablosunu inceleyin ve hasar varsa değiştirin (**uygun olmayan uzatma kabloları tehlikeli olabilir**)

KİŞİLERİN GÜVENLİĞİ

- Çıplak ayakla veya açık ayakkabı giyerken aleti kullanmayın; her zaman sağlam ayakkabılar ve uzun pantolonlar giyin
- Aletin kumandalarını ve doğru şekilde kullanımını öğrenin
- Şahısların (özellikle çocukların) ve hayvanların çok yakınında biçme işlemi gerçekleştirmeyin
- Ellerinizi ve ayaklarınızı daima döner parçalardan uzak tutun

- **Her zaman boşaltma deliğinden uzak durun**
- Motoru talimatlara uygun olarak ve kesme bıçağından yeterli kadar uzak durarak çalıştırın
- **Bu cihaz, güvenliklerinden sorumlu bir kişi tarafından aracın kullanımı ile ilgili gözetim ve açıklama sağlanmadığı takdirde fiziksel, duyuumsal ya da zihinsel olarak gelişmemiş ya da yeterli bilgi ve deneyime sahip olmayan kişiler (çocuklar dahil) tarafından kullanılmalıdır** (yerel düzenlemeler kullanıcının yaşını kısıtlayabilir)
- Çocukların aletle oynamasını engelleyin
- Biçiciyi sadece yürüyüş hızında (koşmayın) kullanın
- Eğimli yerlerde uygun adımlamanızı koruyun ve aşırı dik meyillerde kesme işlemi yapmayın
- Biçiciyi geriye hareket ettirirken veya kendinize doğru çekerken çok dikkatli olun

KULLANMADAN ÖNCE

- Her kullanım öncesinde cihazın çalışmasını kontrol edin, herhangi bir arıza durumunda, hiç vakit kaybetmeden yetkili servis personeli tarafından onarılmasını sağlayın, cihazı kesinlikle kendiniz açmaya çalışmayın
- Cihazın kullanılacağı alanı iyice inceleyin ve kesici mekanizma tarafından yakalanıp fırlatılabilecek tüm sert nesnelere temizleyin
- Daima kesici mekanizmanın iyi çalışır durumda olmasını sağlayın (aşınmış ve hasar görmüş parçaları değiştirin)
- Biçicinin güvenli bir çalışma durumunda olmasını sağlamak için tüm somunlarını, civatalarını ve vidalarını sikilmiş olarak tutun

KULLANIM SIRASINDA

- Sadece yeterli gün ışığı veya uygun bir yapay ışık altında biçme işlemi yapın
- Aletin uzun çimler içinde çalıştırılmasının gerekli olmasının dışında (bu durumda gerekenden fazla eğmeyin ve sadece kullanıcından uzak olan bölümü eğin) başlatırken veya motoru çalıştıran aleti eğmeyin; aleti zemine koymadan önce daima her iki elinizin kullanma konumunda olduğundan emin olun
- Çimden başka yüzeyleri kesmek için aleti eğerken ve aleti biçilecek alandan veya alana taşırken kesme bıçağıнын tamamen durmasını sağlayın
- Eğimli alanları yüzeyleri boyunca biçin (asla yukarı ve aşağı biçmeyin)
- Eğimli alanlar üzerinde yön değiştirirken son derece dikkatli olun
- Motoru çalışırken çim biçme aletin asla kaldırmayın veya taşımayın
- Elektrik veya uzatma kablosunun kesilmesi, zarar görmesi veya kanışması durumunda aleti kapatın ve fişini elektrik kaynağından çekin (**fişi çekmeden önce kabloya dokunmayın**)
- Kordon hasarlı iken cihazı kesinlikle kullanmayınız; uzman bir kişi tarafından değiştiriniz

KULLANIM

- Kablo tutucu ⑫
 - kablo tutucu A üzerine gösterildiği gibi uzatma kablosundaki düğümü bağlayın
 - uzatma kablosunu güvenceye almak için sıkı şekilde çekin
- Kesme yüksekliğinin ayarlanması (28-48-68 mm) ⑬
 - ! **fişi elektrik prizinden çıkarın ve kesici bıçağın dönmemesini durduğundan emin olun**
 - biçiciyi ters çevirin
 - ön tekerlek aksını ve aynı zamanda arka tekerlek aksını

istenen kesme yükseklik konumuna yerleştirin (28, 48 veya 68 mm)

! **dört tekerleğin de aynı kesme yüksekliği konumunda sabitlendiğinden emin olun**

- Açma/kapama güvenlik şalteri ⑭
 - Aletin kazayla çalıştırılmasını önler
 - ilk olarak emniyet svicine basıp C ardından tetik svici D çekerek aleti açın
 - tetik svicini D bırakarak aleti kapatın
 - ! **aleti kapatıktan sonra bıçak birkaç saniye daha dönmeye devam eder**
- Kullanma talimatları
 - biçiciyi iki elinizle tutun
 - biçiciyi çimenli alanın kenarına yerleştirin ve çimenleri ileri yönde biçin
 - her dönüşün sonunda geri dönün ve yavaşça bir önceki kesim şeridinin üzerine bindirin
 - biçiciyi sadece kuru çimlerde kullanın
 - biçiciyi sert nesnelere ve bitkilerden uzak tutun
 - uzun çimleri biçmek için önce kesici mekanizmayı en yüksek kesme yüksekliğine ardından daha az bir kesme yüksekliğine ayarlayın
 - ! **uzun çimleri biçerken yürüyüş hızınızı ayarlayın**
 - "Çim toplama kutusu dolu" göstergesi ⑮
 - çim toplama kutusunun dolduğu anlamına gelen E dönüş hızının kendiliğinden azalması ile F çim toplama kutusunu boşaltın
 - en iyi çim toplama performansını elde etmek için pervane altındaki delikleri F bir el fırçası ile düzenli olarak temizleyin
 - Saklama ⑯
 - saklama yerinden önemli derecede kazanmak için altein tutmağını katlayın (kelebek somunu G kullanarak) ve aleti gösterildiği gibi saklayın; **ilk önce çim toplama kutusunu boşaltın**
 - ! **aletin tutmağını katlarken/açarken (uzatma) kablounun dolaşmamasını sağlayın (tutmağı indirmeyin)**
 - biçiciyi saklama esnasında üzerine başka nesnelere koymayın
 - biçiciyi kapalı ve kuru bir yerde saklayın

BAKIM / SERVİS

- Bu alet profesyonel kullanıma yönelik değildir
- Aleti ve kablosunu daima temiz tutun (özellikle havalandırma yuvalarını J ③)
- Her kullanımdan sonra biçiciyi bir el fırçası ve yumuşak bir bez kullanarak temizleyin
- ! **su kullanmayın (özellikle de yüksek basınçlı su)**
 - bıçak bölümünde sıkışmış kesilen çimleri bir sopa veya plastik malzeme yardımıyla temizleyin
- Çim toplama kutusunu düzenli aralıklarla aşınma ve hasarlara karşı kontrol edin
- Bıçakları ve vidaları düzenli aralıklarla aşınma ve hasarlara karşı kontrol edin ve dengeyi korumak için bunları setler halinde değiştirilmesini sağlayın
- Kesme bıçağıнын değiştirilmesi ⑰
 - ! **makinenin fişini prizden çekin ve çim toplama kutusunu çıkarın E ③**
 - ! **cihazı kullanırken eldiven giyin**
 - biçiciyi ters çevirin
 - gösterildiği şekilde anahtar 13 kullanarak kesme bıçağı çıkarın/takın

! **sadece doğru tipteki kesme bıçakları ile değişim yaparak kullanın (SKIL yedek parça numarası 2610Z04069, YAT 474 552 şeklinde işaretlenmiş)**

- kesme bıçağını takmadan önce mil bölümünü ve makinanın alt kısmını iyice temizleyin

! **kesme bıçağını takarken her iki deliğinde X iki yuvayla Y eşleşmesini sağlayın**

- Dikkatli biçimde yürütülen üretim ve test yöntemlerine rağmen aleti arıza yapacak olursa, onarım SKIL elektrikli aletleri için yetkili bir serviste yapılmalıdır
- aleti ambalajıyla birlikte satın alma belgenizde ekleyerek satıcınıza veya en yakın SKIL servisine ulaştırın (adresler ve aletin servis şemaları www.skil.com adresinde listelenmiştir)

SORUN GIDERME

- Aşağıdaki liste, sorunların belirtilerini, muhtemel nedenlerini ve düzeltici eylemleri gösterir (bunlar sorunu belirlemez ve düzeltmezse satıcınıza veya servise iletişime geçin)

! **sorunu araştırmadan önce aleti kapatın ve fişini prizden çekin**

★ Alet çalışmıyor

- elektrik yok -> güç kaynağını kontrol edin (elektrik kablosu, devre kesiciler, sigortalar)
- güç kaynağı prizi arızası -> başka priz kullanın
- uzatma kablosu hasarlı -> uzatma kablosunu değiştirin
- çimler çok uzun -> kesme yüksekliğini artırın ve makineyi eğin

★ Alet kesik kesik çalışıyor

- uzatma kablosu hasarlı -> uzatma kablosunu değiştirin
- iç kablo tesisatı arızası -> satıcı/servis merkezine iletişime geçin

★ Alet düzensiz yüzey bırakıyor veya motor düzensiz çalışıyor

- kesme yüksekliği çok kısa -> kesme yüksekliğini artırın
- kesme bıçağı kör -> kesme bıçağını değiştirin
- aletin altı kötü şekilde tıkanmış -> aleti temizleyin
- kesme yüksekliği tekdüze değil -> 4 tekerleği de aynı kesim yüksekliğine getirin

★ Kesme bıçağı dönmüyor

- kesme bıçağı engellenmiş -> engelin nedenini gidirin
- bıçak somunu/cıvatası gevşek -> somunu/cıvatayı sıkın

★ Alet anormal olarak titriyor

- kesme bıçağı hasarlı -> kesme bıçağını değiştirin
- bıçak somunu/cıvatası gevşek -> somunu/cıvatayı sıkın

ÇEVRE

- **Elektrikli aletlerini, aksesuarları ve ambalajları evdeki çöp kutusuna atmayınız** (sadece AB ülkeleri için)
- kullanılmış elektrikli aletleri, elektrik ve elektronikli eski cihazlar hakkındaki 2002/96/EC Avrupa yönergelerine göre ve bu yönergeler ulusal hukuk kurallarına göre uyarlanarak, ayrı olarak toplanmalı ve çevre şartlarına uygun bir şekilde tekrar değerlendirmeye gönderilmelidir
- sembol ① size bunu anımsatmalıdır

CE UYGUNLUK BEYANI

- Tek sorumlu olarak "Teknik veriler" bölümünde tanımlanan ürünün aşağıdaki norm veya normatif belgeleri uygunluğunu beyan ederiz: EN 60335, EN 61000,

EN 55014 yönetmeliği hükümleri uyarınca 2006/95/EG, 2004/108/EG, 2006/42/EG, 2000/14/EG, 2011/65/EU

- **Teknik belgelerin bulunduğu merkez:** SKIL Europe BV (PT-SEU/ENG1), 4825 BD Breda, NL

Marijn van der Hoofden
Operations & Engineering

Olaf Dijkgraaf
Approvals Manager

SKIL Europe BV, 4825 BD Breda, NL
25.07.2013

CE12

GÜRÜLTÜ/TİTREŞİM

- Ölçülen EN 60335 göre ses basıncı bu makinanın seviyesi 73 dB(A) ve çalışma sırasındaki gürültü 93 dB(A) (standart sapma: 1,5 dB), ve titreşim 2,5 m/s² (el-kol metodu; tolerans K = 1,5 m/s²)
- Ölçülen 2000/14/EC (EN/ISO 3744) göre güvenceli ses gücü düzeyi LWA 94 dB(A) değerinden daha düşüktür (uygunluğa ilişkin değerlendirme yöntemi Ek VI'e göredir)
- Onaylayan kuruluş: KEMA, Arnhem, NL
Onaylayan kuruluşun sicil numarası: 0344
- Titreşim emisyon seviyesi EN 60335'te sunulan standart teste göre ölçülmüştür; bu seviye, bir aleti bir başkasıyla karşılaştırmak amacıyla ve aletin söz konusu uygulamalarda kullanılması sırasında titreşime maruz kalma derecesinin ön değerlendirmesi olarak kullanılabilir
- aletin farklı uygulamalar için veya farklı ya da bakımı yetersiz yapılmış aksesuarlarla kullanılması, maruz kalma seviyesini belirgin biçimde **arttırabilir**
- aletin kapalı olduğu veya çalıştığı ancak gerçek anlamda iş yapmadığı zamanlarda, maruz kalma seviyesi belirgin biçimde **azalabilir**
- ! **aletin ve aksesuarlarının bakımını yaparak, ellerinizi sıcak tutarak ve iş modellerinizi düzenleyerek kendinizi titreşimin etkilerinden koruyun**

PL

Kosiarka

0715

WSTĘP

- To narzędzie jest przeznaczone do użytku wyłącznie w warunkach domowych
- Narzędzie nie jest przeznaczone do zastosowań profesjonalnych
- Należy sprawdzić, czy opakowanie zawiera wszystkie części pokazane na rysunku ②
- W razie braku lub uszkodzenia części, skontaktuj się z dealerem
- Instrukcja montażu ②
- kolejność liczb na rysunku odpowiada kolejności kroków, które należy wykonać podczas montażu kosiarki

! **dokładnie dokręć wszystkie śruby i nakrętki**

- Proszę dokładnie przeczytać niniejszą instrukcję przed rozpoczęciem eksploatacji i zachować ją na przyszłość ④

DANE TECHNICZNE ①

ELEMENTY NARZĘDZIA ③

- A Ogranicznik przewodu
- B Uchwyt kabla
- C Wylłącznik bezpieczeństwa
- D Włłącznik
- E Kosz na trawę
- F Wskaźnik napięcia kosza na trawę
- G Zabezpieczająca nakrętka motylkowa
- H Rękojeść do transportu
- J Szczeliny wentylacyjne
- K Osłona tylna

BEZPIECZEŃSTWO

OGÓLNE PRZEPISY BEZPIECZEŃSTWA

⚠ UWAGA! Należy przeczytać wszystkie wskazówki i przepisy. Błędy w przestrzeganiu poniższych wskazówek mogą spowodować porażenie prądem, pożar i/lub ciężkie obrażenia ciała. **Należy starannie przechowywać wszystkie przepisy i wskazówki bezpieczeństwa dla dalszego zastosowania.** Użyte w poniższym tekście pojęcie "elektronarzędzie" odnosi się do elektronarzędzi zasilanych energią elektryczną z sieci (z przewodem zasilającym) i do elektronarzędzi zasilanych akumulatorami (bez przewodu zasilającego).

1) BEZPIECZEŃSTWO MIEJSCA PRACY

- a) **Miejsce pracy należy utrzymywać w czystości i dobrze oświetlone.** Nieporządek lub nie oświetlone miejsce pracy mogą doprowadzić do wypadków.
- b) **Nie należy pracować tym narzędziem w otoczeniu zagrożonym wybuchem, w którym znajdują się np. łatwopalne ciecze, gazy lub pyły.** Elektronarzędzia wytwarzają iskry, które mogą podpalić ten pył lub parę.
- c) **Elektronarzędzie trzymać podczas pracy z daleka od dzieci i innych osób.** Przy nieuwadze można stracić kontrolę nad narzędziem.

2) BEZPIECZEŃSTWO ELEKTRYCZNE

- a) **Wtyczka urządzenia musi pasować do gniazda. Nie wolno modyfikować wtyczki w jakikolwiek sposób. Nie należy używać wtyczek adapterowych razem z uziemionymi narzędziami.** Niezmienione wtyczki i pasujące gniazda zmniejszają ryzyko porażenia prądem.
- b) **Należy unikać kontaktu z uziemionymi powierzchniami jak rury, grzejniki, piece i lodówki.** Istnieje zwiększone ryzyko porażenia prądem, gdy Państwa ciało jest uziemione.
- c) **Urządzenie należy przechowywać zabezpieczone przed deszczem i wilgocią.** Wniknięcie wody do elektronarzędzia podwyższa ryzyko porażenia prądem.
- d) **Nigdy nie należy używać kabla do innych czynności. Nigdy nie używać kabla do noszenia urządzenia za kabel, zawieszenia lub do wyciągania wtyczki z gniazda. Kabel należy trzymać z daleka od wysokich temperatur, oleju, ostrych krawędzi lub ruchomych części urządzenia.** Uszkodzone lub poplątane kable zwiększają ryzyko porażenia prądem.
- e) **W przypadku, kiedy elektronarzędziem pracuje się na świeżym powietrzu należy używać kabla**

przedłużającego, który dopuszczony jest do używania na zewnątrz. Użycie dopuszczonego do używania na zewnątrz kabla przedłużającego zmniejsza ryzyko porażenia prądem.

- f) **Jeżeli nie da się uniknąć zastosowania elektronarzędzia w wilgotnym otoczeniu, należy użyć wyłącznika ochronnego różnicowo-prądowego.** Zastosowanie wyłącznika ochronnego różnicowo-prądowego zmniejsza ryzyko porażenia prądem.

3) BEZPIECZEŃSTWO OSÓB

- a) **Należy być uważnym, uważać na to co się robi i pracę elektronarzędziem rozpocząć z rozsądkiem. Nie należy używać urządzenia gdy jest się zmęczonym lub pod wpływem narkotyków, alkoholu lub leków.** Moment nieuwagi przy użyciu urządzenia może doprowadzić do poważnych urażeń ciała.
 - b) **Należy nosić osobiste wyposażenie ochronne i zawsze okulary ochronne.** Noszenie osobistego wyposażenia ochronnego jak maska przeciwpyłowa, nie ślizgające się buty robocze, hełm ochronny lub ochrona słuchu, w zależności od rodzaju i zastosowania elektronarzędzia zmniejsza ryzyko obrażeń ciała.
 - c) **Należy unikać niezamierzonego uruchomienia narzędzia. Przed włożeniem wtyczki do gniazda i/lub podłączeniem do akumulatora, a także przed podniesieniem lub przeniesieniem elektronarzędzia, należy upewnić się, że elektronarzędzie jest wyłączone.** Trzymanie palca na wyłączniku podczas przenoszenia elektronarzędzia lub podłączenie do prądu włączonego narzędzia, może stać się przyczyną wypadków.
 - d) **Zanim urządzenie zostanie włączone należy usunąć narzędzia nastawcze lub klucze.** Narzędzie lub klucz, które znajdują się w ruchomych częściach urządzenia mogą doprowadzić do obrażeń ciała.
 - e) **Nie należy przeceniać swoich możliwości. Należy dbać o bezpieczną pozycję pracy i zawsze utrzymywać równowagę.** Przez to możliwa jest lepsza kontrola urządzenia w nieprzewidzianych sytuacjach.
 - f) **Należy nosić odpowiednie ubranie. Nie należy nosić luźnego ubrania lub biżuterii. Włosy, ubranie i rękawice należy trzymać z daleka od ruchomych elementów.** Luźne ubranie, biżuteria lub długie włosy mogą zostać pociągnięte przez poruszające się części.
 - g) **W przypadku, kiedy możliwe jest zamontowanie urządzeń odsysających lub podchwytyjących należy upewnić się, czy są one właściwie podłączone i prawidłowo użyte.** Użycie urządzenia odsysającego pył może zmniejszyć zagrożenie pyłami.
- #### 4) UWAŻNE OBCOWANIE ORAZ UŻYCI E ELEKTRONARZĘDZIA
- a) **Nie należy przeciążać urządzenia. Do pracy używać należy elektronarzędzia, które jest do tego przewidziane.** Odpowiednim narzędziem pracuje się lepiej i bezpieczniej w podanym zakresie sprawności.
 - b) **Nie należy używać elektronarzędzia, którego wyłącznik/wyłłącznik jest uszkodzony.** Elektronarzędzie, którego nie można włączyć lub wyłączyć jest niebezpieczne i musi zostać naprawione.
 - c) **Przed regulacją urządzenia, wymianą osprzętu lub po zaprzestaniu pracy narzędziem, należy**

- wyciągnąć wtyczkę z gniazda i/lub usunąć akumulator. Ten środek ostrożności zapobiega niezamierzonemu włączeniu się urządzenia.
- d) **Nie używane elektronarzędzia należy przechowywać poza zasięgiem dzieci. Nie należy udostępniać narzędzia osobom, które jego nie umieją lub nie przeczytały tych przepisów.** Używane przez niedoświadczonych osoby elektronarzędzia są niebezpieczne.
- e) **Urządzenie należy starannie konserwować. Należy kontrolować, czy ruchome części urządzenia funkcjonują bez zarzutu i nie są zablokowane, czy części nie są pęknięte lub uszkodzone, co mogłoby mieć wpływ na prawidłowe funkcjonowanie urządzenia. Uszkodzone narzędzie należy przed użyciem urządzenia oddać do naprawy.** Wiele wypadków spowodowanych jest przez niewłaściwą konserwację elektronarzędzi.
- f) **Osprzęt tnący należy utrzymywać ostry i czysty.** Starannie pielęgnowany osprzęt tnący z ostrymi krawędziami tnącymi blokuje się rzadziej i łatwiej się używa.
- g) **Elektonarzędzia, osprzęt, narzędzia itd. należy używać odpowiednio do tych przepisów. Uwzględnić należy przy tym warunki pracy i czynność do wykonania.** Użycie elektronarzędzi do innych niż przewidziane prace może doprowadzić do niebezpiecznych sytuacji.
- 5) **SERWIS**
- a) **Naprawę urządzenia należy zlecić jedynie kwalifikowanemu fachowcowi i przy użyciu oryginalnych części zamiennych.** To gwarantuje, że bezpieczeństwo użytkowania zostanie zachowane.

INFORMACJE O BEZPIECZEŃSTWIE DOTYCZĄCE KOSIAREK

OBJAŚNIENIE SYMBOLI NA NARZĘDZIU

- ④ Przed użyciem przeczytaj instrukcję obsługi
- ⑤ Podwójna izolacja (brak uziemienia)
- ⑥ **Należy zwrócić uwagę na ryzyko obrażeń ciała spowodowane unoszącymi się w powietrzu odpadami** (osoby postronne powinny znajdować się w bezpiecznej odległości od obszaru roboczego narzędzia)
- ⑦ Uważaj na ostrza noża
- ⑧ Nie należy zbliżać kabla zasilania (przedłużacza) do obracającego się noża
- ⑨ Po wyłączeniu kosiarki nóż obraca się jeszcze kilka sekund (**nie wolno dotykać obracającego się noża**)
- ⑩ Narzędzie należy wyłączyć oraz wyjąć wtyczkę z gniazda sieciowego przed przystąpieniem do czyszczenia/konserwacji lub w przypadku uszkodzenia bądź zaplątania się kabla (przedłużacza)
- ⑪ Nie wyrzucaj narzędzie wraz z odpadami z gospodarstwa domowego

OGÓLNE

- Nie wolno używać kosiarki na mokrych trawnikach
- Użytkownik ponosi odpowiedzialność za wypadki lub sytuacje zagrożenia dotyczące innych osób lub ich mienia
- Nie wolno używać kosiarki po uszkodzeniu osłony tylnej lub kosza na trawę

- Przy pracy bez kosza na trawę należy upewnić się, że tylna osłona jest zamknięta (**ryzyko obrażeń spowodowanych obracającym się nożem**)
- Należy zawsze wyjmować wtyczkę z gniazda sieciowego
 - gdy narzędzie jest pozostawiane bez nadzoru
 - przed usunięciem zakleszczonego materiału
 - przed wykonaniem kontroli, przystąpieniem do czyszczenia lub rozpoczęciem pracy nad narzędziem
 - po uderzeniu w inny przedmiot
 - gdy narzędzie zaczyna drgać w sposób nietypowy

BEZPIECZEŃSTWO ELEKTRYCZNE

- Regularnie sprawdzaj kabel i zlec jego wymianę wykwalifikowanej osobie w przypadku uszkodzenia
- Podczas pracy w otoczeniu o wysokiej wilgotności należy używać wyłącznika różnicowoprądowego z natężeniem prądu wyzwalającego wynoszącym maksymalnie 30 mA
- W przypadku korzystania z kabla przedłużającego należy zwrócić uwagę, aby był maksymalnie nawinięty na bęben oraz był przystosowany do przewodzenia prądu o natężeniu przynajmniej 16 A
- Należy stosować wyłącznie przedłużacze typu H05VV-F lub H05RN-F przystosowane do użycia na zewnątrz, wyposażone w wodoszczelne gniazdo sprzągające
- Nie należy deptać ani zginać przewodu (przedłużacza), jak również ciągnąć za niego
- Należy trzymać przewód (przedłużacz) z dala od źródeł ciepła, oleju oraz ostrych krawędzi
- Należy regularnie sprawdzać przedłużacz i wymienić go w razie stwierdzenia uszkodzeń (**wadliwe przedłużacze mogą stwarzać zagrożenie**)

BEZPIECZEŃSTWO OSÓB

- Nie należy używać narzędzia bez obuwia lub w sandałach; należy zawsze nosić solidne obuwie i spodnie z długimi nogawkami
- Należy zapoznać się z elementami sterującymi narzędzia i zasadami jego prawidłowej obsługi
- Nie używać kosiarki, jeśli w bezpośredniej bliskości znajdują się ludzie (zwłaszcza dzieci) lub zwierzęta
- **Nie zbliżać dłoni i stóp do obracających się części**
- **Nie wolno nigdy stać przy otworze wyrzutu trawy**
- Silnik należy wyłączać zgodnie z instrukcją, nie stojąc w pobliżu noża
- **Kosiarka nie może być obsługiwana przez osoby (włącznie z dziećmi) o obniżonych zdolnościach fizycznych, sensorycznych lub umysłowych, które nie mają stosownego doświadczenia i wiedzy, chyba że używają jej pod nadzorem osoby odpowiedzialnej za ich bezpieczeństwo lub zostały przez nią odpowiednio poinstruowane w zakresie obsługi urządzenia** (prawo lokalne może stanowić o minimalnym wieku osoby obsługującej kosiarkę)
- Upewnij się, że dzieci nie bawią się urządzeniem
- Prowadź kosiarkę z umiarkowaną prędkością (nie biegać)
- Zapewnij sobie właściwe podparcie na pochyłościach; nie używać kosiarki na bardzo stromych pochyłościach
- Zachować maksymalną ostrożność, poruszając się do tyłu lub ciągnąc kosiarkę w swoją stronę

PRZED UŻYCIEM

- Sprawdź, czy urządzenie działa prawidłowo; w przypadku uszkodzenia naprawy powinien dokonać wykwalifikowany personel techniczny; nigdy nie otwierać samemu urządzenia

- Dokładnie sprawdzić teren, na którym ma być używana kosiarka; usunąć wszelkie twarde przedmioty, które mogłyby dostać się pomiędzy ostrza i zostać wyrzucone przez mechanizm kosiarki
- Każdorazowo sprawdzić, czy mechanizm tnący jest w dobrym stanie (zużyte lub uszkodzone części należy wymienić)
- Dokręcić wszystkie nakrętki, śruby i wkręty w celu upewnienia się, że z kosiarki można bezpiecznie korzystać

PODCZAS UŻYWANIA

- Kosiarki należy używać przy świetle dziennym lub dostatecznym oświetleniu sztucznym
- Nie wolno przechylać uruchamianej lub pracującej kosiarki, chyba że jest to konieczne ze względu na wysoką trawę (w takiej sytuacji należy przechylić kosiarkę tylko tak, jak jest to konieczne, i w stronę od operatora); przed postawieniem kosiarki należy złapać jej uchwyt obiema rękami
- Przy przechyleniu kosiarki w celu przejechania przez inną powierzchnię niż trawnik oraz przeniesienia jej w miejsce koszenia należy upewnić się, że nóż stoi w miejscu
- Powierzchnie pochyłe należy kosić prostopadłe do kierunku spadku, a nie równoległe
- Podczas zmiany kierunku koszenia na powierzchniach pochyłych należy zachować szczególną ostrożność
- Nigdy nie wolno podnosić lub przenosić uruchomionej kosiarki
- Narzędzie należy wyłączyć i wyjąć wtyczkę z gniazda sieciowego, jeśli kabel zasilający lub przedłużacz został przecięty, uszkodzony lub się zaplątał (**kabla nie wolno dotykać przed wyjęciem wtyczki**)
- Pod żadnym pozorem nie wolno korzystać z narzędzia z uszkodzonym przewodem; zleć jego wymianę wykwalifikowanej osobie

UŻYTKOWANIE

- Ogranicznik przewodu ⑫
 - należy nałożyć pętlę przedłużacza na ogranicznik A, jak przedstawiono na ilustracji
 - należy mocno dociągnąć, aby stabilnie zamocować przedłużacz
- Regulacja wysokości koszenia (28-48-68 mm) ⑬
 - ! **odłączyć wtyczkę od gniazda i upewnić się, że ostre tnące przestało wirować**
 - odwrócić kosiarkę do góry nogami
 - ustawić przednią i tylną oś na wybranej wysokości koszenia (28, 48 lub 68 mm)
 - ! **upewnić się, że wszystkie cztery kółka są ustawione na tej samej wysokości**
- Włącznik/wyłącznik bezpieczeństwa ⑭
 - Zabezpiecza narzędzie przed przypadkowym włączeniem
 - włączyć narzędzie, naciskając najpierw przelącznik bezpieczeństwa C, a następnie pociągając za spust włącznika D
 - wyłączyć narzędzie zwalniając włącznika D
- ! **po wyłączeniu narzędzia nóż będzie się obracać przez kilka sekund**
- Instrukcją obsługi
 - prowadzić kosiarkę oburącz
 - umieścić kosiarkę na krawędzi trawnika i kosić, poruszając się do przodu

- zawrócić na końcu pasa; kolejny pas powinien nieznacznie nachodzić na poprzedni
- używać kosiarki wyłącznie do koszenia suchej trawy
- omijać twarde przedmioty i większe rośliny
- kosząc wysoką trawę, najpierw ustawić mechanizm w najwyższym położeniu; wysokość cięcia zmniejszyć dopiero przy kolejnym koszeniu

! **wysoką trawę należy koszić wolniej**

- Wskaźnik napełnienia kosza na trawę ⑮
 - opróżnić kosz na trawę E, kiedy klapka F samoczynnie opuści się, wskazując, że kosz jest pełny
 - w celu osiągnięcia największej skuteczności zbierania trawy otwory pod klapką F regularnie czyścić szczotką
- Przechowywanie ⑯
 - aby zaoszczędzić miejsce, należy złożyć rączkę (przy użyciu nakrętki motylkowej G); kosiarkę należy przechowywać zgodnie z ilustracją; **należy wcześniej opróżnić kosz na trawę**
 - ! **przy składaniu lub rozkładaniu rączki należy sprawdzić, czy kabel (przedłużający) nie został zablokowany (nie wolno upuszczać rączki)**
 - jeśli kosiarka nie jest używana, nie umieszcza na niej innych przedmiotów
 - kosiarkę należy przechowywać w suchym pomieszczeniu

KONSERWACJA / SERWIS

- Narzędzie nie jest przeznaczone do zastosowań profesjonalnych
- Zawsze dbać o czystość narzędzia i przewodu zasilającego (a szczególnie otworów wentylacyjnych J ③)
- Po każdym użyciu należy oczyścić kosiarkę szczotką i kawałkiem miękkiego materiału
 - ! **nie używać w tym celu wody (zwłaszcza pod ciśnieniem)**
 - ubite resztki trawy z okolic ostrzy usunąć za pomocą drewnianego lub plastikowego narzędzia
- Kosz na trawę należy regularnie sprawdzać pod kątem zużycia lub uszkodzeń
- Należy regularnie sprawdzać narzędzie pod kątem zużytych lub uszkodzonych noży i nakrętek oraz wymienić je lub naprawić, aby zachować sprawność urządzenia
- Wymiana noża ⑰
 - ! **odłączyć zasilanie i zdejmij kosz na trawę E ③**
 - ! **stosować rękawice ochronne**
 - odwrócić kosiarkę do góry nogami
 - zdjąć/zamocować nóż przy użyciu klucza płaskiego 13 zgodnie z ilustracją
 - ! **należy używać tylko wymiennych noży tnących odpowiedniego typu (numer części zamiennej SKIL 2610Z04069, oznaczenie YAT 474 552)**
 - przed montażem noża wyczyść dokładnie obszar wrzeciona i spód kosiarki
 - ! **przy montażu noża upewnij się, że dwa otwory X dokładnie pasują do dwóch wypustek Y**
- Jeśli narzędzie, mimo dokładnej i wszechstronnej kontroli produkcyjnej ulegnie kiedykolwiek awarii, naprawę powinien przeprowadzić autoryzowany serwis elektronarzędzi firmy SKIL
 - odesłać **nierozebrany** narzędzie, wraz z dowodem zakupu, do dealera lub do najbliższego punktu

usługowego SKIL (adresy oraz diagram serwisowy narzędzenia znajdują się na stronach www.skil.com)

ROZWIĄZYWANIE PROBLEMÓW

- Podana lista zawiera opis objawów problemów, ich możliwych przyczyn oraz działań naprawczych (jeśli w ten sposób nie można zidentyfikować i usunąć problemu, należy skontaktować się z dystrybutorem lub punktem serwisowym)
! przed przystąpieniem do rozwiązywania problemu należy wyłączyć narzędzie i wyciągnąć wtyczkę z gniazda sieciowego
- ★ Narzędzie nie działa
 - brak zasilania -> sprawdź zasilanie (kabel zasilający, wyłączniki automatyczne, bezpieczniki)
 - wadliwe gniazdo sieciowe -> należy użyć innego gniazda
 - uszkodzony przedłużacz -> należy go wymienić
 - za wysoka trawa -> zwiększ wysokość cięcia i przechyl kosiarkę
- ★ Narzędzie działa z przerwami
 - uszkodzony przedłużacz -> należy go wymienić
 - uszkodzenie wewnętrznego okablowania -> należy skontaktować się z dystrybutorem lub punktem serwisowym
- ★ Kosiarka szarpie trawę lub silnik ciężko pracuje
 - za niska wysokość cięcia -> zwiększ wysokość cięcia
 - nóż uległ stępieniu -> należy go wymienić
 - spód kosiarki jest zakleszczony -> wyczyść spód kosiarki
 - wysokość cięcia nie jest równa -> ustawij 4 koła na tej samej wysokości cięcia
- ★ Nóż nie obraca się
 - nóż jest zablokowany -> usuń blokadę
 - nakrętka/śruba noża jest poluzowana -> dokręć nakrętkę/śrubę
- ★ Urządzenie wibruje w nienaturalny sposób
 - nóż uległ uszkodzeniu -> należy go wymienić
 - nakrętka/śruba noża jest poluzowana -> dokręć nakrętkę/śrubę

ŚRODOWISKO

- Nie wyrzucaj elektronarzędzi, akcesoriów i opakowania wraz z odpadami z gospodarstwa domowego (dotyczy tylko państw UE)
 - zgodnie z Europejską Dyrektywą 2002/96/WE w sprawie zużytego sprzętu elektrotechnicznego i elektronicznego oraz dostosowaniem jej do prawa krajowego, zużyte elektronarzędzia należy posegregować i zutylizować w sposób przyjazny dla środowiska
 - w przypadku potrzeby pozbycia się narzędzia, akcesoriów i opakowania - symbol ① przypomni Ci o tym

DEKLARACJA ZGODNOŚCI C E

- Oświadczamy z pełną odpowiedzialnością, że produkt, przedstawiony w "Dane techniczne", odpowiada wymaganiom następujących norm i dokumentów normatywnych: EN 60335, EN 61000, EN 55014 zgodnie z wymaganiami dyrektyw 2006/95/EU, 2004/108/EU, 2006/42/EU, 2000/14/EU, 2011/65/UE

- **Dokumentacja techniczna:** SKIL Europe BV (PT-SEU/ENG1), 4825 BD Breda, NL

Marijn van der Hoofden Olaf Dijkgraaf
Operations & Engineering Approvals Manager

SKIL Europe BV, 4825 BD Breda, NL
25.07.2013

CE12

HAŁASU/WIBRACJE

- Pomiarów dokonano zgodnie z normą EN 60335 ciśnienie akustyczne narzędzia wynosi 73 dB(A) zaś poziom mocy akustycznej 93 dB(A) (poziom odchylenie: 1,5 dB), zaś wibracje 2,5 m/s² (metoda dłoń-ręka; błąd pomiaru K = 1,5 m/s²)
 - Gwarantowany poziom mocy akustycznej LWA mierzony zgodnie z normą 2000/14/WE (EN/ISO 3744) jest niższy niż 94 dB(A) (sposób oceny zgodności wg załącznika VI)
Urząd zatwierdzający: KEMA, Arnhem, NL
Numer identyfikacyjny urzędu zatwierdzającego: 0344
 - Poziom emisji wibracji został zmierzony zgodnie z testem standaryzowanym podanym w EN 60335; może służyć do porównania jednego narzędzia z innym i jako ocena wstępna narażenia na wibracje w trakcie używania narzędzia do wymienionych zadań
 - używanie narzędzia do innych zadań, lub z innymi albo źle utrzymanymi akcesoriami, może znacząco zwiększyć poziom narażenia
 - przypadki, kiedy narzędzie jest wyłączone lub jest czynne, ale aktualnie nie wykonuje zadania, mogą znacząco zmniejszyć poziom narażenia
- ! należy chronić się przed skutkami wibracji przez konserwację narzędzia i jego akcesoriów, zakładanie rękawic i właściwą organizację pracy**

RU

Газонокосилка

0715

ВВЕДЕНИЕ

- Данный инструмент предназначено исключительно для стрижки газонов возле дома
 - Данный инструмент не подходит для промышленного использования
 - Проверьте наличие в упаковке всех частей, показанных на рисунке ②
 - В случае отсутствия или повреждения деталей обращайтесь в магазин, где был приобретен инструмент
 - Указания по сборке ②
 - последовательность цифр на рисунке соответствует последовательности действий, которые необходимо совершить при сборке газонокосилки
- ! закручивайте до конца все болты и гайки**
- Перед использованием прибора внимательно ознакомьтесь с данной инструкцией и сохраните ее для последующего использования ④

ТЕХНИЧЕСКИЕ ДАННЫЕ ①

ДЕТАЛИ ИНСТРУМЕНТА ③

- A Ограничитель шнура
- B Хомут кабеля
- C Защитный выключатель
- D Курковый переключатель
- E Сборник срезанной травы
- F Индикатор "Сборник скошенной травы заполнен"
- G Предохранительная барашковая гайка
- H Рукоятка для транспортировки
- J Вентиляционные отверстия
- K Задний кожух

БЕЗОПАСНОСТЬ

ОСНОВНЫЕ ИНСТРУКЦИИ ПО ТЕХНИКЕ БЕЗОПАСНОСТИ

⚠ ВНИМАНИЕ! Прочтите все указания и инструкции по технике безопасности. Упущения, допущенные при соблюдении указаний и инструкций по технике безопасности, могут стать причиной электрического поражения, пожара и тяжелых травм. **Сохраняйте эти инструкции и указания для будущего использования.** Используемое в настоящих инструкциях и указаниях понятие "электроинструмент" распространяется на электроинструмент с питанием от сети (с кабелем питания от электросети) и на аккумуляторный электроинструмент (без кабеля питания от электросети).

1) БЕЗОПАСНОСТЬ РАБОЧЕГО МЕСТА

- a) **Соблюдайте чистоту и поддерживайте надлежащую освещенность на рабочем месте.** Беспорядок на рабочем месте или его плохое освещение могут привести к несчастным случаям.
- b) **Не используйте с электроинструментом во взрывоопасной среде, т.е. в непосредственной близости от легковоспламеняющихся жидкостей, газов или пыли.** В процессе работы электроинструмент искрит и искры могут воспламенить газы или пыль.
- c) **При работе с электроинструментом не допускайте детей или посторонних на Ваше рабочее место.** Отвлечение Вашего внимания может привести к потере контроля над работой инструмента.

2) ЭЛЕКТРИЧЕСКАЯ БЕЗОПАСНОСТЬ

- a) **Штепсельная вилка кабеля питания электроинструмента должна соответствовать розетке электросети.** Не вносите никаких изменений в конструкцию вилки. Не используйте адапторы для электроинструмента с защитным заземлением. Заводские штепсельные вилки и соответствующие им сетевые розетки существенно снижают вероятность электрошока.
- b) **Избегайте механических контактов с такими заземленными поверхностями, как трубопроводы, системы отопления,**

плиты и холодильники. При соприкосновении человека с заземленными предметами во время работы инструментом вероятность электрошока существенно возрастает.

- c) **Оберегайте электроинструмент от воздействия дождя и влаги.** Попадание воды в электроинструмент повышает вероятность электрического удара.
 - d) **Используйте кабель строго по назначению. Не допускается тянуть и передвигать электроинструмент за кабель или использовать кабель для вытягивания вилки из розетки. Оберегайте кабель инструмента от воздействия высоких температур, масла, острых кромок или движущихся частей электроинструмента.** Поврежденный или спутанный кабель повышает возможность электрического удара.
 - e) **При работе на улице используйте удлинитель, предназначенный для работы вне помещения.** Использование такого удлинителя снижает вероятность электрического удара.
 - f) **Если невозможно избежать применения электроинструмента в сыром помещении, то устанавливайте устройство защиты от утечки в землю.** Использование устройства защиты от утечки в землю снижает риск электрического поражения.
- #### 3) ЛИЧНАЯ БЕЗОПАСНОСТЬ
- a) **Будьте внимательны, следите за тем, что Вы делаете и выполняйте работу обдуманно. Не пользуйтесь электроинструментом, если Вы устали или находитесь под воздействием транквилизаторов, алкоголя или медицинских препаратов.** Секундная потеря концентрации в работе с электроинструментом может привести к серьезным травмам.
 - b) **Используйте средства индивидуальной защиты. Защитные очки обязательны.** Средства индивидуальной защиты, такие как противопылевой респиратор, нескользящая защитная обувь, шлем-каска, средства защиты органов слуха применяются в соответствующих условиях работы обстоятельствах и минимизируют возможность получения травм.
 - c) **Предотвращайте непреднамеренное включение электроинструмента. Перед подключением электроинструмента к электропитанию и/или к аккумулятору убедитесь в выключенном состоянии электроинструмента.** Если Вы при транспортировке электроинструмента держите палец на выключателе или включенный электроинструмент подключаете к сети питания, то это может привести к несчастному случаю.
 - d) **Во избежание травм перед включением инструмента удалите регулировочный или гаечный ключ из вращающейся части инструмента.**
 - e) **Не переоценивайте свои возможности. Твердо стойте на ногах и удерживайте равновесие.** В таком положении вы сможете лучше контролировать инструмент в неожиданных ситуациях.

- f) **Используйте подходящую рабочую одежду. Не надевайте свободную одежду и украшения. Волосы, одежда и перчатки должны находиться подальше от движущихся частей электроинструмента.** Свободная одежда, украшения или длинные волосы легко могут попасть в движущиеся части электроинструмента.
- g) **При наличии пылеотсасывающих и пылесборных приспособлений убедитесь в том, что они подсоединены и используются надлежащим образом.** Применение пылеотсоса может снизить опасности, создаваемые пылью.

4) ЭКСПЛУАТАЦИЯ И УХОД ЗА ЭЛЕКТРОИНСТРУМЕНТОМ

- a) **Не перегружайте инструмент. Используйте тот инструмент, который предназначен для данной работы.** С подходящим инструментом Вы выполните работу лучше и надежней, используя весь диапазон его возможностей.
- b) **Не используйте инструмент с неисправным выключателем опасен и подлежит ремонту.**
- c) **До начала наладки электроинструмента, замены принадлежностей или прекращения работы отключайте штепсельную вилку от розетки сети и/или выньте аккумулятор.** Данная мера предосторожности предотвращает случайное включение инструмента.
- d) **Храните неиспользуемый электроинструмент в недоступном для детей месте и не позволяйте использовать его лицам, не умеющим с ним обращаться или не ознакомленным с инструкцией по эксплуатации.** Электроинструменты представляют собой опасность в руках неопытных пользователей.
- e) **Электроинструмент требует надлежащего ухода. Проверяйте безупречность функции подвижных частей, лёгкость их хода, целостность всех частей и отсутствие повреждений, которые могут негативно сказаться на работе инструмента. При обнаружении повреждений сдайте инструмент в ремонт.** Большое число несчастных случаев связано с неудовлетворительным уходом за электроинструментом.
- f) **Режущие части инструмента необходимо поддерживать в заточенном и чистом состоянии.** При надлежащем уходе за режущими принадлежностями с острыми кромками они режут заклиниваются и инструмент лучше поддаётся контролю.
- g) **Используйте электроинструмент, принадлежности, биты и т.д. в соответствии с данными инструкциями, исходя из особенностей условий и характера выполняемой работы.** Использование электроинструмента не по назначению может привести к опасным последствиям.
- 5) **СЕРВИСНОЕ ОБСЛУЖИВАНИЕ**
- a) **Передавайте инструмент на сервисное обслуживание только квалифицированному персоналу, использующему только подлинные**

запасные части. Это обеспечит сохранение безопасности электроинструмента.

ИНСТРУКЦИИ ПО ТЕХНИКЕ БЕЗОПАСНОСТИ ПРИ РАБОТЕ С ГАЗОНОКОСИЛКАМИ

ПОЯСНЕНИЕ К УСЛОВНЫМ ОБОЗНАЧЕНИЯМ НА ИНСТРУМЕНТЕ

- ④ Перед использованием ознакомьтесь инструкцию по применению
- ⑤ Двойная изоляция (заземляющий провод не требуется)
- ⑥ **Остерегайтесь отлетающих осколков** (окружающие должны находиться на безопасном расстоянии от места уборки)
- ⑦ Остерегайтесь острых ножей
- ⑧ Не допускайте попадания (удлинительного) кабеля под вращающийся нож
- ⑨ Нож остановится только спустя некоторое время после выключения инструмента (**не прикасайтесь к вращающемуся ножу**)
- ⑩ В случае, если повредился или запутался (удлинительный) шнур, перед тем, как распутать или отремонттировать его, отключите устройство и выньте вилку из розетки
- ⑪ Не выкидывайте инструмент вместе с бытовым мусором

ОБЩЕЕ

- Не работайте с косилкой на влажных газонах
- За несчастные случаи с людьми или повреждение их имущества, а также угрозу для них отвечает пользователь
- Никогда не работайте с газонокосилкой, если ее задний кожух или сборник срезанной травы неисправны
- При работе с инструментом без сборника срезанной травы следите за тем, чтобы задний кожух оставался в закрытом положении (**риск травмы от вращающегося ножа**)
- Всегда вытягивайте вилку из сетевой розетки,
 - если оставляете инструмент без присмотра
 - перед тем, как убирать застрявшие предметы
 - перед тем, как осматривать, очищать инструмент или проводить с ним другие операции
 - в случае попадания на посторонний предмет
 - если инструмент начинает очень сильно вибрировать

ЭЛЕКТРИЧЕСКАЯ БЕЗОПАСНОСТЬ

- Периодически осматривайте шнур и необходимо, чтобы квалифицированный специалист заменил сетевой шнур в случае повреждения
- При работе во влажных условиях используйте устройство защитного отключения (УЗО) с максимальным пусковым током 30 мА
- Используйте полностью размотанные и безопасные удлинители, рассчитанные на ток не менее 16 А
- Используйте только удлинительные кабели марки H05VV-F или H05RN-F, предназначенные для работ на открытом воздухе и оснащенные водонепроницаемыми штепсельными разъемами и розетками
- Не наступайте на (удлинительный) шнур, не надавливайте на него и не тяните его

- Защищайте (удлинительный) шнур от источников тепла, масла и острых краев
- Периодически осматривайте удлинительный шнур и заменяйте его в случае повреждения (**использование несоответствующих удлинительных шнуров небезопасно**)

ЛИЧНАЯ БЕЗОПАСНОСТЬ

- Не работайте с инструментом босиком или в сандалиях с открытым верхом; всегда носите прочную обувь и длинные брюки
- Ознакомьтесь со средствами управления и порядком работы с инструментом
- Категорически запрещено стричь траву в непосредственной близости от людей (особенно детей) и животных
- **Всегда держите руки и ноги на безопасном расстоянии от вращающихся деталей носилки**
- **Всегда держитесь на удалении от выходного отверстия**
- Включайте двигатель, соблюдая инструкции, и держите ноги как можно дальше от ножа
- **Н работе с инструментом не допускаются лица (в т.ч. дети) с ограниченными физическими, сенсорными или умственными способностями, а также лица, не обладающие достаточным опытом и знаниями, за исключением случаев, когда они работают под надзором или проинструктированы по эксплуатации устройства лицом, ответственным за их безопасность** (на возраст оператора могут накладываться местные законодательные ограничения)
- Убедитесь, что дети не имеют возможности играть с инструментом
- Работая с газонокосилкой, двигайтесь размеренным нешироким шагом (не бегите)
- Будьте осторожны на склонах, чтобы не поскользнуться; не подстригайте траву на слишком крутых склонах
- Будьте исключительно осторожны во время движения назад или притягивания косилки по направлению к себе

ПЕРЕД ИСПОЛЬЗОВАНИЕМ

- Проверьте работоспособность электроинструмента перед каждым использованием и, в случае обнаружения неисправности, доверьте его ремонт только квалифицированным специалистам; ни в коем случае не открывайте инструмент самостоятельно
- Перед стрижкой тщательно осмотрите газон и уберите все твердые предметы, которые могут быть подхвачены и отброшены режущим механизмом
- Следите за исправностью режущего механизма (своевременно заменяйте изношенные или поврежденные части)
- Для обеспечения безопасности при работе с газонокосилкой проверяйте затяжку всех гаек, болтов и винтов

ВО ВРЕМЯ ИСПОЛЬЗОВАНИЯ

- Стрижку газона следует проводить только при достаточном естественном или соответствующем искусственном освещении
- Не наклоняйте инструмент при включении или выключении двигателя, кроме тех случаев, когда наклон нужен для начала работы в высокой

- траве (в таком случае не следует наклонять инструмент больше, чем это необходимо; при этом наклонять следует только ту его часть, которая находится дальше от оператора); перед установкой инструмента на землю всегда нужно следить за тем, чтобы обе руки находились в рабочем положении
- При наклоне инструмента для переноски через участки без травы либо его транспортировке к участку покоса или обратно необходимо удостовериться в полной неподвижности ножа
- При покосе на покатой поверхности нельзя перемещаться сверху вниз или снизу вверх склона (двигаться следует в горизонтальной плоскости)
- При изменении направления покоса на склонах следует быть особенно внимательным
- Никогда не следует поднимать или переносить газонокосилку при работающем двигателе
- В случае разрезания, повреждения или запутывания силового или удлинительного шнура, выключите инструмент и вытяните вилку с розетки (**не касайтесь шнура, пока вилка вставлена в розетку**)
- Никогда не используйте инструмент, если сетевой шнур повреждён; необходимо, чтобы квалифицированный специалист заменил сетевой шнур

ИСПОЛЬЗОВАНИЕ

- Ограничитель шнура ⑫
 - перекиньте кольцо удлинительного шнура через ограничитель, как показано на рисунке А
 - чтобы зафиксировать шнур, сильно потяните
- Регулировка высоты покоса (28-48-68 мм) ⑬
 - ! **отключите вилку из сетевой розетки и подождите, пока остановиться режущее лезвие**
 - переверните газонокосилку вверх дном
 - установите оси переднего и заднего колеса на требуемую высоту покоса (28, 48 или 68 мм)
 - ! **удостоверьтесь в том, что четыре колеса зафиксированы на одной высоте покоса**
- Предохранительный выключатель вкл/выкл ⑭
 - Предохраняет инструмент от случайного включения
 - включите инструмент, сначала нажав на защитный выключатель С, а затем надавив гашетку D
 - выключите инструмент отпустив курковый выключатель D
 - ! **нож остановится только спустя несколько секунд после отключения устройства**
- Указания по эксплуатации
 - управляйте газонокосилкой обеими руками
 - поставьте газонокосилку на край газона и начинайте стрижку, двигаясь вперед
 - дойдя до края газона, разверните косилку в противоположном направлении, при этом новая дорожка покоса должна слегка накладываться на предыдущую
 - газонокосилку следует использовать исключительно на сухой траве
 - не подводите газонокосилку к твердым предметам, кустам и деревьям
 - для стрижки высокой травы установите режущий механизм сначала на максимальную высоту

покоса, а потом — на меньшую высоту

! при покосе высокой травы выберите соответствующий темп ходьбы

- Индикатор "Сборник скошенной травы заполнен" ¹⁵
 - опорожните сборник скошенной травы Е как только клапан F самостоятельно опустится, указывая на то, что данный сборник заполнен
 - для обеспечения оптимального сбора скошенной травы регулярно прочищайте отверстия под клапаном F с помощью ручной щетки
- Хранение ¹⁶
 - существенно уменьшить занимаемое устройством пространство можно, сложив ручку (с помощью барашковой гайки G) и поместив его на хранение, как показано на рисунке; **вначале необходимо опорожнить сборник скошенной травы**
 - ! при складывании либо раскладывании ручки инструмента необходимо не допустить защемления удлинительного кабеля (не роняйте ручку)**
 - не ставьте на газонокосилку другие предметы во время хранения
 - газонокосилку необходимо хранить в сухом помещении

ТЕХОБСЛУЖИВАНИЕ / СЕРВИС

- Данный инструмент не подходит для промышленного использования
- Всегда содержите инструмент и его шнур в чистоте (особенно вентиляционные отверстия J ³)
- После каждого использования чистите газонокосилку с помощью ручной щетки и мягкой ткани
 - ! не мойте носилку водой (а особенно из компрессора)**
 - удалите утрамбованные обрезки травы из зоны ножей с помощью деревянного или пластмассового инструмента
- Регулярно проверяйте сборник скошенной травы на наличие износа или повреждений
- Регулярно проверяйте степень износа и исправность ножей и болтов. Для сохранения оптимальных характеристик заменяйте эти части комплектом
- Замена ножей ¹⁷
 - ! выньте шпательную вилку из розетки электропитания и снимите сборник скошенной травы Е ³**
 - ! надевайте защитные перчатки**
 - переверните газонокосилку вверх дном
 - для установки либо снятия ножа пользуйтесь гаечным ключом 13, как показано на рисунке
 - ! в качестве замены используйте режущие лезвия только надлежащего типа (номер запасной части SKIL: 2610Z04069, маркировка: YAT 474 552)**
 - перед установкой ножа тщательно очистите зону вала и нижнюю часть инструмента
 - ! при установке ножа совместите два отверстия X с двумя выступами Y**
- Если инструмент, несмотря на тщательные методы изготовления и испытания, выйдет из строя, то ремонт следует производить силами авторизованной сервисной мастерской для

электроинструментов фирмы SKIL

- отправьте **неразобранный** инструмент со свидетельством покупки Вашему дилеру или в ближайшую станцию обслуживания фирмы SKIL (адреса и схема обслуживания инструмента приведены в вебсайте www.skil.com)

УСТРАНЕНИЕ НЕИСПРАВНОСТЕЙ

- Ниже приведен перечень неисправностей, их возможных причин и корректирующих действий (если при их помощи не удастся исправить проблему, обратитесь к дилеру или в сервисный центр)
 - ! перед поиском неисправности выключите инструмент и отсоедините вилку**
- ★ Инструмент не работает
 - отсутствует питание -> проверьте источник питания (силовой кабель, автоматические прерыватели, плавкие предохранители)
 - повреждение розетки питания -> используйте другую розетку
 - поврежден удлинительный шнур -> замените удлинительный шнур
 - слишком высокая трава -> увеличьте высоту покоса и наклоните инструмент
- ★ Инструмент отключается периодически
 - поврежден удлинительный шнур -> замените удлинительный шнур
 - повреждена внутренняя проводка -> обратитесь к дилеру или в сервисный центр
- ★ Неровная поверхность скошенного участка, либо двигатель работает с надрывом
 - слишком малая высота покоса -> увеличьте высоту покоса
 - нож затупился -> замените нож
 - нижняя часть инструмента забита -> очистите инструмент
 - высота покоса не равномерна -> установите 4 колеса на одну высоту покоса
- ★ Нож не вращается
 - вращение ножа затруднено -> уберите препятствие
 - болт (гайка) ножа не затянуты -> затяните болт (гайку) ножа
- ★ Инструмент сильно вибрирует
 - нож поврежден -> замените нож
 - болт (гайка) ножа не затянуты -> затяните болт (гайку) ножа

ОХРАНА ОКРУЖАЮЩЕЙ СРЕДЫ

- **Не выкидывайте электроинструмент, принадлежность и упаковку вместе с бытовым мусором** (только для стран ЕС)
 - во исполнение европейской директивы 2002/96/ЕС об утилизации отслужившего свой срок электрического и электронного оборудования и в соответствии с действующим законодательством, утилизация электроинструментов производится отдельно от других отходов на предприятиях, соответствующих условиям экологической безопасности
 - значок ¹¹ напомним Вам об этом, когда появится необходимость сдать электроинструмент на утилизацию

ДЕКЛАРАЦІЯ О СООТВЕТСТВИИ СТАНДАРТАМ СЕ

- С полной ответственностью мы заявляем, что описанный в разделе "Технические данные" продукт соответствует нижеследующим стандартам или нормативным документам: EN 60335, EN 61000, EN 55014 согласно положениям директив 2006/95/EC, 2004/108/EC, 2006/42/EC, 2000/14/EC, 2011/65/EC
- Техническая документация у:** SKIL Europe BV (PT-SEU/ENG1), 4825 BD Breda, NL

Marijn van der Hoofden Olaf Dijkgraaf
Operations & Engineering Approvals Manager

SKIL Europe BV, 4825 BD Breda, NL

25.07.2013

CE12

- Информация о сертификате соответствия расположена на последней странице настоящей Инструкции
- Сертификаты соответствия хранятся по адресу: ООО "Роберт Бош" ул. Акад. Королёва, 13, стр. 5 Россия, 129515, Москва **С января 2014 г.** Вашутинское шоссе, влад. 36 Россия, 141446 г.о. Химки
- Дата производства указана на табличке инструмента в формате ММ/ГГГГ (месяц/год)

ШУМНОСТИ/ВИБРАЦИИ

- При измерении в соответствии со стандартом EN 60335 уровень звукового давления для этого инструмента составляет 73 дБ (А) и уровень звуковой мощности - 93 дБ (А) (стандартное отклонение: 1,5 дВ), и вибрации - 2,5 м/с² (по методу для рук; недостоверность K = 1,5 м/с²)
- Гарантированный уровень звуковой мощности LWA, измеренный согласно стандарту 2000/14/EC (EN/ISO 3744) ниже 94 дБ(А) (способ оценки соответствия согласно Приложению VI) Уполномоченный орган: KEMA, Arnhem, NL Идентификационный номер уполномоченного органа: 0344
- Уровень вибрации был измерен в соответствии со стандартизированным испытанием, содержащимся в EN 60335; данная характеристика может использоваться для сравнения одного инструмента с другим, а также для предварительной оценки воздействия вибрации при использовании данного инструмента для указанных целей
 - при использовании инструмента в других целях или с другими/неисправными вспомогательными приспособлениями уровень воздействия вибрации может значительно **повышаться**
 - в периоды, когда инструмент отключен или функционирует без фактического выполнения работы, уровень воздействия вибрации может значительно **снижаться**

! защищайте себя от воздействия

вибрации, поддерживая инструмент и его вспомогательные приспособления в исправном состоянии, поддерживая руки в тепле, а также правильно организуя свой рабочий процесс

UA

Газонокосарка

0715

ВСТУП

- Цей інструмент призначено для використання лише на газонах біля дому
- Цей інструмент не придатний для промислового використання
- Перевірте наявність в упаковці всіх частин, показаних на малюнку ②
- У разі відсутності чи пошкодження деталей просимо звертатися в магазин, де було придбано інструмент
- Інструкції зі збирання ②
 - збирайте газонокосарку в послідовності, що відповідає нумерації на відповідній схемі
- ! надійно затягніть всі гвинти та гайки**
- Перед використанням приладу уважно прочитайте дану інструкцію з експлуатації й збережіть її для подальшого використання ④

ТЕХНІЧНІ ДАНІ ①

ЕЛЕМЕНТИ ІНСТРУМЕНТА ③

- A Обмежувач шнура
- B Затискач для шнура
- C Аварійний вимикач
- D Нурковий перемикач
- E Травозбірник
- F Індикатор "Травозбірник заповнений"
- G Затискна баранцева гайка
- H Ручка для транспортування
- J Вентиляційні отвори
- K Задній щиток

БЕЗПЕКА

ЗАГАЛЬНІ ВКАЗІВКИ З ТЕХНІКИ БЕЗПЕКИ

⚠ УВАГА! Прочитайте всі попередження і вказівки. Недодержання попереджень і вказівок може призводити до удару електричним струмом, пожежі та/або серйозних травм. **Добре зберігайте на майбутнє ці попередження і вказівки.** Під поняттям "електроприлад" в цих попередженнях мається на увазі електроприлад, що працює від мережі (з електрокабелем) або від акумуляторної батареї (без електрокабелю).

1) БЕЗПЕКА НА РОБОЧОМУ МІСЦІ

- a) **Прймайте своє робоче місце в чистоті та прибирайте його.** Безлад або погане освітлення на робочому місці можуть призводити до нещасних випадків.

- b) **Не працюйте з приладом у середовищі, де існує небезпека вибуху внаслідок присутності горючих рідин, газів або пилу.** Електроприлади можуть породжувати іскри, від яких може займатися пил або пари.
- c) **Під час працювання з приладом не підпускайте до робочого місця дітей та інших людей.** Ви можете втратити контроль над приладом, якщо Ваша увага буде відвернута.
- 2) ЕЛЕКТРИЧНА БЕЗПЕКА**
- a) **Штепсель приладу повинен пасувати до розетки. Не дозволяється що-небудь міняти в штепселі. Для роботи з приладами, що мають захисне заземлення, не використовуйте адаптери.** Використання оригінального штепселя та належної розетки зменшує ризик удару електричним струмом.
- b) **Уникайте контакту частей тіла із заземленими поверхнями, як напр., трубами, батареями опалення, печами та холодилинами.** Коли Ваше тіло заземлене, існує збільшена небезпека удару електричним струмом.
- c) **Захищайте прилад від дощу та вологи.** Попадання води в електроінструмент збільшує ризик удару електричним струмом.
- d) **Не використовуйте кабель для перенесення приладу, підвішування або витягування штепселя з розетки. Захищайте кабель від жару, олії, гострих країв та деталей приладу, що рухаються.** Пошкоджений або закручений кабель збільшує ризик удару електричним струмом.
- e) **Для зовнішніх робіт обов'язково використовуйте лише такий подовжувач, що допущений для зовнішніх робіт.** Використання подовжувача, що розрахований на зовнішні роботи, зменшує ризик удару електричним струмом.
- f) **Якщо не можна запобігти використанню електроприладу у вологому середовищі, використовуйте пристрій захисту від витоків в землю.** Використання пристрою захисту від витоків в землю зменшує ризик удару електричним струмом.
- 3) БЕЗПЕКА ЛЮДЕЙ**
- a) **Будьте уважними, слідкуйте за тим, що Ви робите, та розсудливо поводьтеся під час роботи з електроприладом. Не користуйтеся приладом, якщо Ви стомлені або знаходитесь під дією наркотиків, спиртних напоїв або лік.** Мить неуважності при користуванні приладом може призводити до серйозних травм.
- b) **Вдягайте особисте захисне спорядження та обов'язково вдягайте захисні окуляри.** Вдягання особистого захисного спорядження, як напр., - в залежності від виду робіт - захисної маски, спецвзуття, що не ковзається, наски або навушників, зменшує ризик травм.
- c) **Уникайте ненавмисного вмикання. Перш ніж вмикати електроприлад в електромерену або встроювати акумуляторну батарею, брати його в руки або переносити, впевніться в тому, що електроприлад вимкнений.** Тримання пальця на вимикачі під час перенесення електроприладу або встроювання в розетку увімкненого приладу може призводити до травм.
- d) **Перед тим, як вмикати прилад, приберіть налагоджувальні інструменти та гайковий ключ.** Знаходження налагоджувального інструмента або ключа в деталі, що обертається, може призводити до травм.
- e) **Не переоцінюйте себе. Зберігайте стійке положення та завжди зберігайте рівновагу.** Це дозволить Вам краще зберігати контроль над приладом у несподіваних ситуаціях.
- f) **Вдягайте придатний одяг. Не вдягайте просторий одяг та прикраси. Не підставляйте волосся, одяг та рукавиці близько до деталей приладу, що рухаються.** Просторий одяга, прикраси та довге волосся можуть попадати в деталі, що рухаються.
- g) **Якщо існує можливість монтувати пилорідномонтувальні або пилуловлювальні пристрої, переконатися, щоб вони були добре під'єднані та правильно використовувалися.** Використання пилорідномонтувального пристрою може зменшити небезпеки, зумовлені пилом.
- 4) ПРАВИЛЬНЕ ПОВЕДІННЯ ТА КОРИСТУВАННЯ ЕЛЕКТРОПРИЛАДАМИ**
- a) **Не перевантажуйте прилад. Використовуйте такий прилад, що спеціально призначений для певної роботи.** З придатним приладом Ви з меншим ризиком отримаєте кращі результати роботи, якщо будете працювати в зазначеному діапазоні потужності.
- b) **Не користуйтеся приладом з пошкодженням вимикачем.** Прилад, який не можна увімкнути або вимкнути, є небезпечним і його треба відремонтувати.
- c) **Перед тим, як регулювати що-небудь на приладі, міняти приладдя або ховати прилад, витягніть штепсель із розетки та/або витягніть акумуляторну батарею.** Ці попереджувальні заходи з техніки безпеки зменшують ризик ненавмисного запуску приладу.
- d) **Зберігайте електроприлади, якими Ви саме не користуєтесь, далеко від дітей. Не дозволяйте користуватися електроприладом особам, що не знайомі з його роботою або не читали ці назвівки.** У разі застосування недосвідченими особами прилади несуть в собі небезпеку.
- e) **Старанно доглядайте за приладом. Перевірте, щоб рухомі деталі приладу бездоганно працювали та не заїдали, не були поламаними або настільки пошкодженими, щоб це могло вплинути на функціонування приладу.** Пошкоджені деталі треба відремонтувати в авторизованій майстерні, перш ніж ними можна знову користуватися. Велика кількість нещасних випадків спричиняється поганим доглядом за електроприладами.
- f) **Тримайте різальні інструменти добре нагостреними та в чистоті.** Старанно доглянуті різальні інструменти з гострим різальним краєм менше застряють та їх легше вести.
- g) **Використовуйте електроприлади, приладдя до них, робочі інструменти т.і. відповідно до цих назвівок. Беріть до уваги при цьому умови роботи та специфіку виконуваної роботи.**

Використання електроприладів для робіт, для яких вони не передбачені, може призводити до небезпечних ситуацій.

5) СЕРВІС

- a) **Віддавайте свій прилад на ремонт лише кваліфікованим фахівцем та лише з використанням оригінальних запчастин.** Це забезпечить безпеку приладу на довгий час.

ІНСТРУКЦІ З ТЕХНІКИ БЕЗПЕКИ ДЛЯ ГАЗОНОКОСАРОК

ПОЯСНЕННЯ ДО УМОВНИХ ПОЗНАЧОК НА ІНСТРУМЕНТІ

- ④ Перед використанням прочитайте інструкцію із застосування
- ⑤ Подвійна ізоляція (заземлюючий провід не потрібен)
- ⑥ **Остерігайтесь осколків, які відлітають** (люди довкола мають перебувати на безпечній відстані від місця прибирання)
- ⑦ Будьте обережні з гострими лезами
- ⑧ Не допускайте, щоб (подовжувальний) шнур потрапляв під різальне лезо, що обертається
- ⑨ Різальне лезо продовжує обертатися деякий час після вимикання інструмента (**не торкайтесь леза, що обертається**)
- ⑩ У разі, якщо пошкодився або заплутався подовжувач або силовий шнур, перед тим, як розплутувати чи ремонтувати його, вимкніть пристрій та витягніть вилку з розетки
- ⑪ Не викидайте інструмент разом зі звичайним сміттям

ЗАГАЛЬНЕ

- Не використовуйте газонокосарку на мокрих газонах
- За нещасні випадки з людьми або пошкодження їх майна, а також загрозу для них відповідає користувач
- Заборонено використовувати інструмент, якщо пошкоджено задній щиток або травозбірник
- Під час роботи з інструментом без встановленого травозбірника задній щиток має бути закритим (**різальне леза, що обертається, може нанести травму**)
- Завжди витягуйте вилку з мережевої розетки
 - коли залишаєте інструмент без нагляду
 - перед тим, як виймати застряглі предмети
 - перед тим, як оглядати, очищувати інструмент або проводити з ним інші операції
 - у разі потрапляння на сторонній предмет
 - якщо інструмент починає засильно вібрувати

ЕЛЕКТРИЧНА БЕЗПЕКА

- Періодично оглядайте шнур та зйом повинен замінити кваліфікований фахівець у випадку пошкодження
- Під час роботи у вологих умовах використовуйте пристрій захисного вимикання (ПЗВ) з максимальним пусковим струмом 30 мА
- Використовуйте повністю розгорнений шнур подовжувача, який може витримувати навантаження в 16 Ампер
- Використовуйте тільки подовжувач типу H05VV-F

- або H05RN-F, який призначено для зовнішніх робіт та обладнано водозахисною штепсельною розеткою
- Не наступайте на подовжувач, не натискайте на нього та не тягніть його
- Захищайте подовжувач від джерел тепла, оливи та гострих країв
- Періодично оглядайте подовжувач та замініть його у разі пошкодження (**використовувати невідповідний подовжувач небезпечно**)

БЕЗПЕКА ЛЮДЕЙ

- Не працюйте з інструментом босоніж або у відкритих сандалях; завжди одягайте міцне взуття та довгі штани
- Ознайомтесь із засобами керування та порядком роботи з інструментом
- Категорично заборонено користуватися косаркою безпосередньо поблизу інших людей (особливо дітей) і тварин
- **Тримайте руки та ноги на безпечній відстані від деталей, які обертаються**
- **Завжди тримайтеся подалі від випусного отвору**
- Вмикайте двигун відповідно до інструкцій та тримаючи ноги подалі від різального леза
- **Цей інструмент не може використовуватись особами (включаючи дітей) з обмеженими фізичними, сенсорними або розумовими здібностями, або особами, які не мають достатньо досвіду та знань за виключенням випадків, коли вони працюють під наглядом або пройшли інструктаж щодо використання інструменту з боку особи, яка відповідає за їх безпеку** (місцеві закони можуть обмежувати вік оператора)
- Переконайтеся, що діти не мають змоги гратися з інструментом
- Під час косіння рухайтесь нешвидкою розміреною ходою (не біжіть)
- Будьте обережні на схилах, щоб не посковзнутися; не косіть надто стрімкі схили
- Дотримуйтеся особливої обережності під час руху назад та підтягування косарки до себе

ПЕРЕД ВИКОРИСТАННЯМ

- Перевіряйте працездатність інструменту перед кожним його використанням та, у випадку виявлення несправності, віднесіть його до кваліфікованого спеціаліста; ні, в якому разі не відкривайте інструмент самотужки
- Перед косінням ретельно огляньте газон та приберіть усі тверді предмети, які ріжучий механізм може підхопити та відкинути
- Завжди підтримуйте ріжучий механізм у справному стані (зношені або пошкоджені частини слід замінити)
- Для безпеки роботи з косаркою слід ретельно затягувати всі гайки, болти та гвинти

ПІД ЧАС ВИКОРИСТАННЯ

- Користуватися косаркою можна лише за достатнього денного чи відповідного штучного освітлення
- Не нахиляйте інструмент під час запуску або вмикання двигуна, хіба що інструмент має бути нахилений для початку роботи у високій траві (у цьому випадку не нахиляйте інструмент більше ніж необхідно, та нахиляйте ту частину, яка знаходиться

на відстані від оператора); перш ніж опускати інструмент на землю завжди перевіряйте, щоб обидві руки знаходились у робочому положенні

- Перш ніж нахилити інструмент для перетинання поверхні без трави, або під час транспортування інструменту до місця роботи, завжди перевіряйте, щоб різальне лезо було повністю зупинене
- Косіть поперек схилу (ніколи догори або вниз)
- Дотримуйтеся особливої обережності під час зміни напрямку на схилах
- У жодному разі не піднімайте та не переносьте газонокосарку з увімкнутим двигуном
- У разі розрізання, пошкодження або заплутування силового шнура чи продовжувача, вимкніть інструмент і витягніть вилку з розетки (**не торкайтесь шнура, доки вилка вставлена у розетку**)
- Ніколи не використовуйте інструмент з пошкодженим шнуром; його повинен замінити кваліфікований фахівець

ВИКОРИСТАННЯ

- Обмежувач шнура¹²
 - перекиньте кільце продовжувача через обмежувач, як показано на малюнку А
 - щоб зафіксувати шнур, сильно потягніть
- Регулювання висоти косіння (28-48-68 мм) ¹³
 - ! відключіть вилку з мережевої розетки і зачепіть, доки зупиниться різальне лезо**
 - переверніть косарку догори дном
 - встановіть передню та задню колісні вісі на необхідну висоту різання (28, 48 або 68 мм)
 - ! перевірте, щоб всі чотири колеса були встановлені на одній висоті різання**
- Аварійний вимикач живлення ¹⁴
 - Захищає інструмент від випадкового вмикання
 - вмикайте інструмент спочатку натисканням на вимикач-запобіжник С, а потім на курок-вимикач D
 - вимкніть інструмент відпустивши курок-перемикача D
 - ! після вимикання інструмента лезо продовжує рухатися протягом кількох секунд**
- Інструкції з експлуатації
 - тримайте косарку обома руками
 - встановіть косарку на край газону та почніть косіння, рухаючись уперед
 - в кінці газону поверніть у протилежний бік, при цьому нова доріжка поносу повинна злегка накладатися на попередню
 - косарку можна використовувати лише на сухій траві
 - не підводьте косарку до твердих предметів, кущів та дерев
 - для косіння високої трави встановіть ріжучий механізм спочатку на максимальну висоту, а потім — на меншу висоту
 - ! під час косіння високої трави рухайтеся відповідно до швидкості косарки**
- Індикатор "Травозбірник заповнений" ¹⁵
 - спорожніть травозбірник Е як тільки клапан F самостійно опуститься, вказуючи на те, що травозбірник заповнений
 - для забезпечення оптимального збору скошеної

трави регулярно прочищайте отвори під клапаном F за допомогою ручної щітки

- Зберігання ¹⁶
 - для економії простору під час зберігання газонокосарки складіть ручку інструмента (за допомогою баранцевої гайки G) та зберігайте інструмент як показано на ілюстрації; **спочатку спорожніть травозбірник**
 - ! під час складання/розкладання ручки інструменту слідкуйте за тим, щоб не затиснути (подовжувач) шнур (не кидайте ручку)**
 - під час зберігання не ставте на косарку інші предмети
 - зберігайте косарку в сухому приміщенні

ДОГЛЯД/ОБСЛУГОВУВАННЯ

- Цей інструмент не придатний для промислового використання
 - Завжди тримайте інструмент та його шнур в чистоті (особливо вентиляційні отвори J ³)
 - Чистьте косарку після кожного використання за допомогою ручної щітки та м'якої ганчірки
 - ! не мийте косарку водою (а особливо з компресора)**
 - видалять утрамбовані обрізки трави з області леза за допомогою дерев'яного або пластмасового знаряддя
 - Регулярно перевіряйте травозбірник на зношування або пошкодження
 - Регулярно перевіряйте леза та болти на зношування або пошкодження, та замініть їх разом, щоб підтримувати інструмент у збалансованому стані
 - Заміна різального леза ¹⁷
 - ! відключіть вилку з мережевої розетки та зніміть травозбірник Е ³**
 - ! надягайте захисні окуляри**
 - переверніть косарку догори дном
 - зніміть/встановіть різальне лезо за допомогою гайкового ключа 13, як показано на ілюстрації
 - ! використовуйте лише різальні леза відповідного типу (номер запасної частини SKIL: 2610Z04069, маркування: YAT 474 552)**
 - перш ніж встановлювати різальне лезо, ретельно почистіть зону вала та дно інструмента
 - ! під час встановлення різального леза переносьтеся, що два отвори X ідеально співпадають з двома штифтами Y**
 - Якщо незважаючи на ретельну технологію виготовлення і перевірки інструмент все-таки вийде з ладу, його ремонт дозволяється виконувати лише в авторизованій сервісній майстерні для електроприладів SKIL
 - надішліть **нерозібраний** інструмент разом з доказом купівлі до Вашого дилера або до найближчого центру обслуговування SKIL (адреси, а також діаграма обслуговування пристрою, подаються на сайті www.skil.com)
- ### УСУНЕННЯ НЕПОЛАДОК
- Нижче наведено перелік несправностей, їх можливих причин і корективних дій (якщо за їх допомогою вирішити проблему не вдається, зверніться до дилера або у сервісний центр)

! перед тим як шунати несправність, вимкніть інструмент і витягніть вилку

- ★ Інструмент не працює
 - відсутнє живлення -> перевірте джерело живлення (силовий кабель, автоматичні переривники, топкі запобіжники)
 - пошкодження розетки живлення -> використовуйте іншу розетку
 - пошкоджено продовжувач -> замініть продовжувач
 - дуже висока трава -> збільшить висоту різання та нахилить інструмент
- ★ Інструмент періодично вимикається
 - пошкоджено продовжувач -> замініть продовжувач
 - пошкоджено внутрішню проводку -> зверніться до дилера або у сервісний центр
- ★ Інструмент залишає рвані стебла або двигун працює на межі
 - занадто низька висота різання -> збільшить висоту різання
 - різальне лезо затупилось -> замініть різальне лезо
 - дно інструмента сильно забилося -> почистіть інструмент
 - висота різання не рівномірна -> встановіть 4 колеса на однакову висоту різання
- ★ Різальне лезо не обертається
 - різальне лезо заблоковано -> звільніть лезо від блокування
 - гайка/болт леза погано затягнені -> затягніть гайку/болт леза
- ★ Інструмент сильно вібрує
 - різальне лезо пошкоджене -> замініть різальне лезо
 - гайка/болт леза погано затягнені -> затягніть гайку/болт леза

ОХОРОНА НАВКОЛИШНЬОЇ СЕРЕДИ

- **Не викидайте електроінструмент, належності та упановку разом зі звичайним сміттям** (тільки для країн ЄС)
 - відповідно до європейської директиви 2002/96/ЄС щодо утилізації старих електричних та електронних приладів, в залежності з місцевим законодавством, електроінструмент, який перебував в експлуатації повинен бути утилізований окремо, безпечним для навколишнього середовища шляхом
 - малюнок ① нагадає вам про це

ДЕКЛАРАЦІЯ ПРО ВІДПОВІДНІСТЬ СТАНДАРТАМ СЕ

- Ми заявляємо під нашу виключну відповідальність, що описаний в "Технічні дані" продукт відповідає таким нормам або нормативним документам: EN 60335, EN 61000, EN 55014 у відповідності до положень директив 2006/95/EG, 2004/108/EG, 2006/42/EG, 2000/14/EG, 2011/65/EG

- **Технічні документи в:** SKIL Europe BV (PT-SEU/ENG1), 4825 BD Breda, NL

Marijn van der Hoofden
Operations & Engineering

Olaf Dijkgraaf
Approvals Manager

SKIL Europe BV, 4825 BD Breda, NL
25.07.2013

CE12

ШУМ/ВІБРАЦІЯ

- Зміряний відповідно до EN 60335 рівень тиску звуку даного інструменту 73 дБ(A) і потужність звуку 93 дБ(A) (стандартне відхилення: 1,5 дБ), і вібрація 2,5 м/с² (ручна методика; похибка K = 1,5 м/с²)
 - Гарантований рівень звукової потужності LWA, який виміряно згідно зі стандартом 2000/14/EC (EN/ISO 3744) нижчий за 94 дБ(A) (процедура оцінки відповідності згідно з Додатком VI)
Уповноважений орган: KEMA, Arnhem, NL
Ідентифікаційний номер уповноваженого органу: 0344
 - Рівень вібрації було виміряно у відповідності зі стандартизованим випробуванням, що міститься в EN 60335; дана характеристика може використовуватися для порівняння одного інструмента з іншим, а також для попередньої оцінки впливу вібрації під час застосування даного інструмента для вказаних цілей
 - при використанні інструмента в інших цілях або з іншими/несправними допоміжними пристосуваннями рівень впливу вібрації може значно **підвищуватися**
 - у періоди, коли інструмент вимкнений або функціонує без фактичного виконання роботи, рівень впливу вібрації може значно **знижуватися**
- ! захищайте себе від впливу вібрації, підтримуючи інструмент і його допоміжні пристосування в справному стані, підтримуючи руки в теплі, а також правильно організовуючи свій робочий процес**

GR

Χλοκοπτικό

0715

ΕΙΣΑΓΩΓΗ

- Αυτό το εργαλείο προορίζεται μόνο για οικιακές χρήσεις κουρέματος γκαζόν
 - Αυτό το εργαλείο δεν προορίζεται για επαγγελματική χρήση
 - Βεβαιωθείτε ότι η συσκευασία περιέχει όλα τα εξαρτήματα που απεικονίζονται στο σχέδιο ②
 - Όταν κάποια εξαρτήματα λείπουν ή έχουν φθορές, παρακαλούμε επικοινωνήστε με τον αντιπρόσωπό σας
 - Οδηγίες συναρμολόγησης ②
 - η αρίθμηση του διαγράμματος αντιστοιχεί με την αρίθμηση των βημάτων που πρέπει να ακολουθήσετε για τη συναρμολόγηση του χλοοκοπτικού
- ! σφίξτε καλά όλες τις βίδες και τα παξιμάδια**

- Διαβάστε προσεκτικά τις οδηγίες πριν από τη χρήση και φυλάξτε τις για μελλοντική αναφορά ④

ΤΕΧΝΙΚΑ ΧΑΡΑΚΤΗΡΙΣΤΙΚΑ ①

ΜΕΡΗ ΤΟΥ ΕΡΓΑΛΕΙΟΥ ③

- A Υποδοχή καλωδίου
- B Κλιπ καλωδίου
- C Διακόπτης ασφαλείας
- D Διακόπτης σκανδάλης
- E Θήκη χόρτου
- F Ενδείκτης "Γεμάτη θήκη χόρτου"
- G Πεταλούδα στερέωσης
- H Λαβή μεταφοράς
- J Σχιστές αερισμού
- K Οπίσθιος προφυλακτήρας

ΑΣΦΑΛΕΙΑ

ΓΕΝΙΚΕΣ ΥΠΟΔΕΙΞΕΙΣ ΑΣΦΑΛΕΙΑΣ

⚠ ΠΡΟΕΙΔΟΠΟΙΗΣΗ! Διαβάστε όλες τις προειδοποιητικές υποδείξεις. Αμέλειες κατά την τήρηση των προειδοποιητικών υποδείξεων μπορεί να προκαλέσουν ηλεκτροπληξία, κίνδυνο πυρκαγιάς ή/και σοβαρούς τραυματισμούς. **Φυλάξτε όλες τις προειδοποιητικές υποδείξεις και οδηγίες για κάθε μελλοντική χρήση.** Ο ορισμός "ηλεκτρικό εργαλείο" που χρησιμοποιείται στις προειδοποιητικές υποδείξεις αναφέρεται σε ηλεκτρικά εργαλεία που τροφοδοτούνται από το ηλεκτρικό δίκτυο (με ηλεκτρικό καλώδιο) καθώς και σε ηλεκτρικά εργαλεία που τροφοδοτούνται από μπαταρία (χωρίς ηλεκτρικό καλώδιο).

1) ΑΣΦΑΛΕΙΑ ΣΤΟ ΧΩΡΟ ΕΡΓΑΣΙΑΣ

- a) **Διατηρείτε το χώρο που εργάζεσθε καθαρό και καλά φωτισμένο.** Αταξία στο χώρο που εργάζεσθε ή μη φωτισμένες περιοχές εργασίας μπορεί να οδηγήσουν σε ατυχήματα.
- b) **Μην εργάζεσθε με το ηλεκτρικό εργαλείο σε περιβάλλον που υπάρχει κίνδυνος έκρηξης, στο οποίο υπάρχουν εύφλεκτα υγρά, αέρια ή σκόνη.** Τα ηλεκτρικά εργαλεία μπορεί να δημιουργήσουν σπινθηρισμό ο οποίος μπορεί να αναφλέξει τη σκόνη ή τις αναθυμιάσεις.
- c) **Όταν χρησιμοποιείτε το ηλεκτρικό εργαλείο κρατάτε τα παιδιά κι άλλα τυχόν πρόσωπα μακριά από το χώρο που εργάζεσθε.** Σε περίπτωση που άλλα άτομα αποσπάσουν την προσοχή σας μπορεί να χάσετε τον έλεγχο του μηχανήματος.

2) ΗΛΕΚΤΡΙΚΗ ΑΣΦΑΛΕΙΑ

- a) **Το φως του καλωδίου του ηλεκτρικού εργαλείου πρέπει να ταираίξει στην αντίστοιχη πρίζα. Δεν επιτρέπεται να κανένα τρόπο η μετασκευή του φως. Μη χρησιμοποιείτε προσαρμοστικά φως σε συνδυασμό με ηλεκτρικά εργαλεία συνδεδεμένα με τη γη (γειωμένα).** Αθικά φως και κατάλληλες πρίζες μειώνουν τον κίνδυνο ηλεκτροπληξίας.
- b) **Αποφεύγετε την επαφή του σώματος σας με γειωμένες επιφάνειες όπως σωλήνες, θερμαντικά σώματα (καλοριφέρ), κουζίνες και**

ψυγεία. Όταν το σώμα σας είναι γειωμένο αυξάνεται ο κίνδυνος ηλεκτροπληξίας.

- c) **Μην εκθέτετε το ηλεκτρικό εργαλείο στη βροχή ή την υγρασία.** Η διείσδυση νερού στο ηλεκτρικό εργαλείο αυξάνει τον κίνδυνο ηλεκτροπληξίας.
 - d) **Μη χρησιμοποιείτε το καλώδιο για να μεταφέρετε ή ν'αναρτήσετε το ηλεκτρικό εργαλείο ή για να βγάλετε το φως από την πρίζα. Κρατάτε το καλώδιο μακριά από υψηλές θερμοκρασίες, λάδια, κοφτερές ακμές η κινούμενα εξαρτήματα.** Τυχόν χαλασμένα ή μπερδεμένα καλώδια αυξάνουν τον κίνδυνο ηλεκτροπληξίας.
 - e) **Όταν εργάζεσθε με το ηλεκτρικό εργαλείο στο ύπαιθρο χρησιμοποιείτε πάντοτε καλώδια επιμήκυνσης (μπαλαντάζες) που έχουν εγκριθεί για χρήση σε εξωτερικούς χώρους.** Η χρήση καλωδίων επιμήκυνσης εγκριμένων για εργασία σε εξωτερικούς χώρους μειώνει τον κίνδυνο ηλεκτροπληξίας.
 - f) **Όταν η χρήση του ηλεκτρικού εργαλείου σε υγρό περιβάλλον είναι αναπόφευκτη, τότε χρησιμοποιήστε έναν προστατευτικό διακόπτη διαρροής ελαττώνει τον κίνδυνο ηλεκτροπληξίας.**
- #### 3) ΑΣΦΑΛΕΙΑ ΠΡΟΣΩΠΩΝ
- a) **Να είστε πάντοτε προσεκτικός/προσεκτική, να δίνετε προσοχή στην εργασία που κάνετε και να χειρίζεσθε το ηλεκτρικό εργαλείο με περισκεψη. Μην κάνετε χρήση του ηλεκτρικού εργαλείου όταν είσθε κουρασμένος/κουρασμένη ή όταν βρίσκεσθε υπό την επιρροή ναρκωτικών, οινοπνεύματος ή φαρμάκων.** Μια στιγμιαία απροσεξία κατά το χειρισμό του ηλεκτρικού εργαλείου μπορεί να οδηγήσει σε σοβαρούς τραυματισμούς.
 - b) **Φοράτε προστατευτικά ενδύματα και πάντοτε προστατευτικό γυαλιά.** Όταν φοράτε ενδύματα ασφαλείας, ανάλογα με το υπό χρήση ηλεκτρικό εργαλείο, όπως προσταπίδα προστασίας από σκόνη, αντιοιδηθικά παπούτσια ασφαλείας, κράνη ή ατσαπίδες, μειώνεται ο κίνδυνος τραυματισμών.
 - c) **Αποφεύγετε την αβέλγη εκκίνηση. Βεβαιωθείτε ότι το ηλεκτρικό εργαλείο έχει αποζευχτεί πριν το συνδέσετε με το ηλεκτρικό δίκτυο ή/και με την μπαταρία καθώς και πριν το παραλάβετε ή το μεταφέρετε.** Όταν μεταφέρετε το ηλεκτρικό εργαλείο έχοντας το δάχτυλό σας στο διακόπτη ή όταν συνδέσετε το μηχανήμα με την πηγή ρεύματος όταν αυτό είναι ακόμη συζευγμένο, τότε δημιουργείται κίνδυνος τραυματισμών.
 - d) **Αφαιρείτε από τα ηλεκτρικά εργαλεία πριν τα θέσετε σε λειτουργία τυχόν συναρμολογημένα χρησιμοποιήσιμα εργαλεία ή κλειδιά.** Ένα εργαλείο ή κλειδί συναρμολογημένο στο περιστρεφόμενο εξάρτημα ενός ηλεκτρικού εργαλείου μπορεί να οδηγήσει σε τραυματισμούς.
 - e) **Μην υπερκτιμάτε τον εαυτό σας. Φροντίζετε για την ασφαλή στήριξη του σώματος σας και διατηρείτε πάντοτε την ισορροπία σας.** Αυτό σας επιτρέπει τον καλύτερο έλεγχο του ηλεκτρικού εργαλείου σε περιπτώσεις απροσδόκτων καταστάσεων.

- f) **Φοράτε κατάλληλη ενδυμασία εργασίας. Μη φοράτε φαρδιά ενδύματα ή κοσμήματα. Κρατάτε τα μαλλιά σας, τα ενδύματα σας και τα γάντια σας μακριά από τα κινούμενα εξαρτήματα.** Χαλαρή ενδυμασία, κοσμήματα και μακριά μαλλιά μπορεί να εμπλακούν στα κινούμενα εξαρτήματα.
- g) **Αν υπάρχει η δυνατότητα συναρμολόγησης διατάξεων αναρρόφησης ή συλλογής σκόνης, βεβαιωθείτε αν οι διατάξεις αυτές είναι συνδεδεμένες καθώς κι αν χρησιμοποιούνται σωστά.** Η χρήση μιας αναρρόφησης σκόνης μπορεί να ελαττώσει τον κίνδυνο που προκαλείται από τη σκόνη.
- 4) **ΧΡΗΣΗ ΚΙ ΕΠΙΜΕΛΗΣ ΧΕΙΡΙΣΜΟΣ ΤΩΝ ΗΛΕΚΤΡΙΚΩΝ ΕΡΓΑΛΕΙΩΝ**
- a) **Μην υπερφορτώνετε το ηλεκτρικό εργαλείο. Χρησιμοποιείτε για την εκάστοτε εργασία σας το ηλεκτρικό εργαλείο που προορίζεται γι' αυτήν.** Με το κατάλληλο ηλεκτρικό εργαλείο εργάζεσθε καλύτερα και ασφαλέστερα στην αναφερόμενη περιοχή ισχύος.
- b) **Μη χρησιμοποιήσετε ποτέ ένα ηλεκτρικό εργαλείο του οποίου ο διακόπτης ON/OFF είναι χαλασμένος.** Ένα ηλεκτρικό εργαλείο του οποίου δεν μπορεί να τεθεί πλέον σε ή εκτός λειτουργίας είναι επικίνδυνο και πρέπει να επισκευαστεί.
- c) **Βγάξτε το φις από την πρίζα και/ή αφαιρέστε την μπαταρία πριν διεξάγετε στο εργαλείο μια οποιαδήποτε εργασία ρύθμισης, πριν αλλάξετε ένα εξάρτημα ή όταν πρόκειται να διαφυλάξετε/ να αποθηκεύσετε το εργαλείο.** Αυτά τα προληπτικά μέτρα ασφαλείας μειώνουν τον κίνδυνο από τυχόν αθέλητη εκκίνηση του ηλεκτρικού εργαλείου.
- d) **Διαφυλάγετε τα ηλεκτρικά εργαλεία που δε χρησιμοποιείτε μακριά από παιδιά. Μην αφήνετε άτομα που δεν είναι εξοικειωμένα με το ηλεκτρικό εργαλείο ή δεν έχουν διαβάσει αυτές τις οδηγίες χρήσης να το χρησιμοποιήσουν.** Τα ηλεκτρικά εργαλεία είναι επικίνδυνα όταν χρησιμοποιούνται από άπειρα πρόσωπα.
- e) **Να περιποήστε προσεκτικά το ηλεκτρικό σας εργαλείο και να ελέγχετε, αν τα κινούμενα τμήματα του λειτουργούν άψογα και δεν μπλοκάρουν, ή μήπως έχουν χαλάσει ή σπάσει εξαρτήματα, τα οποία επηρεάζουν έτσι αρνητικά τον τρόπο λειτουργίας του ηλεκτρικού εργαλείου. Δώστε τυχόν χαλασμένα εξαρτήματα του ηλεκτρικού εργαλείου για επισκευή πριν το χρησιμοποιήσετε πάλι.** Η ανεπαρκής συντήρηση των ηλεκτρικών εργαλείων αποτελεί αιτία πολλών ατυχημάτων.
- f) **Διατηρείτε τα κοπτικά εργαλεία κοφτερά και καθαρά.** Τα κοπτικά εργαλεία που συντηρούνται με προσοχή μπορούν να οδηγηθούν εύκολα και να ελεγχθούν καλύτερα.
- g) **Χρησιμοποιείτε τα ηλεκτρικά εργαλεία, τα εξαρτήματα, τα χρησιμοποιήσιμα εργαλεία κτλ. σύμφωνα με τις παρούσες οδηγίες καθώς. Λαμβάνετε ταυτόχρονα υπόψην σας τις συνθήκες εργασίας και την υπό εκτέλεση εργασία.** Η χρήση του ηλεκτρικού εργαλείου για άλλες εκτός από τις προβλεπόμενες εργασίες μπορεί να δημιουργήσει επικίνδυνες καταστάσεις.

5) SERVICE

- a) **Δίνετε το ηλεκτρικό σας εργαλείο για επισκευή από άριστα ειδικευμένο προσωπικό, μόνο με γνήσια ανταλλακτικά.** Έτσι εξασφαλίζεται η διατήρηση της ασφάλειας του ηλεκτρικού εργαλείου.

ΕΙΔΙΚΕΣ ΟΔΗΓΙΕΣ ΑΣΦΑΛΕΙΑΣ ΓΙΑ ΧΛΟΟΚΟΠΤΙΚΑ

ΕΠΕΞΗΓΗΣΗ ΤΩΝ ΣΥΜΒΟΛΩΝ ΣΤΟ ΕΡΓΑΛΕΙΟ

- ④ Διαβάστε το εγχειρίδιο οδηγιών πριν από τη χρήση
- ⑤ Διπλή μόνωση (δεν απαιτείται καλώδιο γείωσης)
- ⑥ Προσέξτε για τον κίνδυνο τραυματισμού λόγω εκτοξευόμενων σκουπιδιών (φροντίστε οι παριστάμενοι να βρίσκονται σε ασφαλή απόσταση από την περιοχή εργασιών)
- ⑦ Προσέξτε τις αιχμηρές λεπίδες
- ⑧ Φροντίστε το καλώδιο ή τη μπαταντζά να βρίσκονται μακριά από την περιστρεφόμενη λεπίδα κοπής
- ⑨ Η λεπίδα κοπής συνεχίζει να περιστρέφεται για μικρό χρονικό διάστημα μετά το σβήσιμο του εργαλείου (**μη αγνίζετε την περιστρεφόμενη λεπίδα**)
- ⑩ Σβήστε να αποσυνδέστε το φις πριν από τον καθαρισμό / συντήρηση ή εάν η μπαταντζά είναι χαλασμένη ή κουβαριασμένη
- ⑪ Μην πατάτε το εργαλείο στον κάδο οικιακών απορριμμάτων

ΓΕΝΙΚΑ

- Αποφύγετε το χειρισμό του χλοοκοπτικού σε βρεγμένη χλόη
- Ο χρήστης είναι υπεύθυνος για ατυχήματα ή κινδύνους που μπορεί να συμβούν σε άλλα άτομα ή ιδιοκτησίες
- Ποτέ μη χρησιμοποιείτε το εργαλείο όταν ο οπίσθιος προφυλακτήρας ή η θήκη χόρτου έχουν ζημιά
- Κατά τη λειτουργία του εργαλείου χωρίς θήκη χόρτου, φροντίστε ο οπίσθιος προφυλακτήρας να είναι στην κλειστή θέση (**υπάρχει κίνδυνος τραυματισμού από την περιστρεφόμενη λεπίδα κοπής**)
- Πάντα να αποσυνδέετε το φις από την πηγή ρεύματος
 - οποτεδήποτε αφήνετε το εργαλείο χωρίς επιτήρηση
 - πριν από τον καθαρισμό των σφηνωμένων υλικών
 - πριν από τον έλεγχο, τον καθαρισμό ή την εργασία με το εργαλείο
 - μετά από κάποιο κτύπημα σε ξένο αντικείμενο
 - οποτεδήποτε το εργαλείο αρχίζει να παρουσιάζει αντικανονικούς κραδασμούς

ΗΛΕΚΤΡΙΚΗ ΑΣΦΑΛΕΙΑ

- Ελέγχετε τακτικά το καλώδιο και σε περίπτωση βλάβης, φροντίστε να αντικατασταθούν από εξειδικευμένο άτομο
- Κατά το χειρισμό του εργαλείου σε υγρό περιβάλλον, να χρησιμοποιείτε συσκευή προστασίας από διαρροή ρεύματος (RCD) με ρεύμα ενεργοποίησης 30 mA το μέγιστο
- Χρησιμοποιείτε ασφαλείς, τελείως ξετυλιγμένες προεκτάσεις καλωδίου με χωρητικότητα 16 Amps
- Χρησιμοποιείτε μόνο προέκταση καλωδίου τύπου H05VV-F ή H05RN-F κατάλληλη για υπαίθρια χρήση και εξοπλισμένη με αδιάβροχο φις και πρίζα σύνδεσης
- Μην πατάτε, μην συμπιέζετε και μην τραβήξετε το καλώδιο (προέκταση)
- Προστατέψτε το καλώδιο (προέκταση) από θερμότητα, τα λάδια και τα αιχμηρά άκρα
- Να επιθεωρείτε κατά διαστήματα τόν καλώδιο

προέκτασης και να το αντικαταστήσετε εάν έχει ζημιά (το ακατάλληλο καλώδιο προέκτασης κρύβει κινδύνους)

ΑΣΦΑΛΕΙΑ ΠΡΟΣΩΠΩΝ

- Μη χρησιμοποιείτε το εργαλείο ξυπόλητοι ή φορώντας σανδάλια - πάντα να φοράτε υποδήματα βαρέως τύπου και μακριά παντελόνια
- Να εξοικειωθείτε με τα χειριστήρια και τη σωστή χρήση του εργαλείου
- Ποτέ μην κουρεύετε σε σημεία όπου υπάρχουν κοντά άλλα άτομα (ειδικά παιδιά) και ζώα
- **Τα χέρια και τα πόδια σας πρέπει πάντα να βρίσκονται μακριά από τα περιστροφόμενα μέρη**
- **Να μένετε πάντοτε μακριά από το άνοιγμα εξαγωγής**
- Ανάψτε το μοτέρ σύμφωνα με τις οδηγίες και με τα πόδια σας αρκετά μακριά από τη λεπίδα κοπής
- **Το εργαλείο αυτό δεν προορίζεται για χρήση από άτομα (συμπεριλαμβανομένων παιδιών) με μειωμένες φυσικές, αισθητικές ή νοητικές ικανότητες, ή από άτομα χωρίς εμπειρία ή γνώση, εκτός και αν επιβλέπονται ή εάν τους έχουν δοθεί οδηγίες σχετικά με τη χρήση του εργαλείου από άτομα υπεύθυνα για την ασφάλειά τους** (ενδέχεται να υπάρχουν περιορισμοί όσον αφορά την ηλικία του χειριστή βάσει τοπικών κανονισμών)
- Βεβαιωθείτε ότι τα παιδιά δεν παίζουν με το εργαλείο
- Να χειρίζεστε το χλοοκοπτικό μόνο σε ρυθμό βαθίσματος (μην τρέχετε)
- Φροντίστε να πατάτε γερά σε πλαγιές και μην κουρεύετε σημεία με υπερβολικά μεγάλη κλίση
- Να προσέχετε ιδιαίτερα όταν κινείστε προς τα πίσω ή όταν έλκετε το χλοοκοπτικό προς το μέρος σας

ΠΡΙΝ ΑΠΟ ΤΗ ΧΡΗΣΗ

- Ελέγξτε τη λειτουργία του εργαλείου πριν από κάθε χρήση, και σε περίπτωση βλάβης, πάτε το για επισκευή σε κάποιο εξειδικευμένο άτομο - ποτέ μην ανοίγετε μόνοι σας το εργαλείο
- Ελέγξτε σχολαστικά το χώρο όπου θα κουρέψετε το χλοοκοπτικό και αφαιρέστε όλα τα σκληρά αντικείμενα που μπορεί να παγιδευτούν και να εκτοξευτούν από το μηχανισμό κοπής
- Πάντα να φροντίζετε ώστε ο μηχανισμός κοπής να λειτουργεί σωστά (φροντίστε για την αντικατάσταση τυχόν φθαρμένων ή ελαττωματικών εξαρτημάτων)
- Φροντίστε όλα τα παξιμάδια, βίδες και μπουλόνια να είναι καλά σφιγμένα για την ασφάλεια του χλοοκοπτικού μηχανήματος

ΚΑΤΑ ΤΗ ΧΡΗΣΗ

- Να κουρεύετε μόνο εφόσον υπάρχει αρκετό φως ημέρας ή με κατάλληλο τεχνητό φωτισμό
- Μην αλλάζετε κλίση του εργαλείου κατά το άναμμα ή το σβήσιμο του κινητήρα, εκτός αν απαιτείται να κλίνετε το εργαλείο για να αρχίσετε το κόψιμο γρασιδιού σε μεγάλο μήκος (στην περίπτωση αυτή, μην το κλίνετε περισσότερο απ' όση είναι απολύτως απαραίτητο και κλίνετε μόνο εκείνο το τμήμα που βρίσκεται μακριά από το χειριστή) - πάντοτε να φροντίζετε και τα δύο χέρια να είναι στη θέση λειτουργίας πριν από την επιστροφή του εργαλείου στο έδαφος
- Φροντίστε ώστε η λεπίδα κοπής να είναι τελείως ακινητοποιημένη κατά την κλίση του εργαλείου για τη διέλευση από επιφάνειες άλλες εκτός από χλόη, και κατά τη μεταφορά του εργαλείου προς και από το χώρο εργασίας

- Να κουρεύετε κατά πλάτος τις πλαγιές (και όχι ανηφορικά - κατηφορικά)
- Να προσέχετε πάρα πολύ κατά την αλλαγή κατεύθυνσης επάνω σε πλαγιές
- Ποτέ μην ανασκώνεται και μη μεταφέρετε το χλοοκοπτικό όταν ο κινητήρας του είναι σε λειτουργία
- Πάντα να σβήνεται το εργαλείο και να αποσυνδέεται το φιν από την τροφοδοσία ρεύματος εάν το καλώδιο τροφοδοσίας ρεύματος ή η μπαταντζά είναι κομμένη, φθαρμένη ή κουβαριασμένη (**μην ακουμπάτε το καλώδιο πριν από την αποσύνδεση του φιν**)
- Ποτέ μη χρησιμοποιείτε το εργαλείο όταν έχει υποστεί βλάβη το καλώδιο - το καλώδιο θα πρέπει να αντικατασταθεί από έναν εξειδικευμένο τεχνίτη

ΧΡΗΣΗ

- Υποδοχή καλωδίου ⑩
 - κρεμάστε τη θηλιά του καλωδίου προέκτασης επάνω απ' την υποδοχή Α όπως εικονίζεται
 - τραβήξτε γερά για να στερεωθεί το καλώδιο προέκτασης
- Ρύθμιση του ύψους κοπής (28-48-68 χλστ.) ⑪
 - ! **βγάλτε το φιν από την πρίζα και βεβαιωθείτε ότι έχει σταματήσει η περιστροφή της λεπίδας κοπής**
 - γυρίστε ανάποδα το χλοοκοπτικό
 - φέρτε τον άξονα των εμπρός τροχών, καθώς και τον άξονα των πίσω τροχών στην επιθυμητή θέση ύψους κοπής (28, 48 ή 68 mm)
 - ! **βεβαιωθείτε ότι οι τέσσερις τροχοί βρίσκονται στην ίδια θέση ύψους κοπής**
- Διακόπτης ασφαλείας εκκίνησης/στάσης ⑫
 - Εμποδίζει την αθέλητη ενεργοποίηση του εργαλείου
 - ενεργοποιήστε το εργαλείο πατώντας πρώτα το διακόπτη ασφαλείας C και τραβώντας στη συνέχεια το διακόπτη σκανδάλης D
 - απενεργοποιήστε το εργαλείο αφήνοντας το διακόπτη σκανδάλης D
 - ! **μετά το σβήσιμο του εργαλείου, η λεπίδα θα συνεχίσει να περιστρέφεται για μερικά δευτερόλεπτα**
- Οδηγίες λειτουργίας
 - κρατήστε το χλοοκοπτικό και με τα δύο χέρια
 - τοποθετήστε το χλοοκοπτικό στο άκρο του γκαζόν και κουρέψτε με κατεύθυνση προς τα εμπρός
 - αντιστρέψτε την πορεία σας στο τέρμα της κάθε στροφής, επικαλύπτοντας ελαφρά την προηγούμενη κομμένη λωρίδα
 - να χρησιμοποιείτε το χλοοκοπτικό μόνο σε στεγνό γκαζόν
 - φροντίστε το χλοοκοπτικό να παραμένει μακριά από σκληρά αντικείμενα και φυτά
 - για να κουρέψετε ψηλή χλόη, κατ' αρχήν ρυθμίστε τον κοπτικό μηχανισμό στο μέγιστο ύψος του, και στη συνέχεια σε χαμηλότερο ύψος κοπής
 - ! **βαδίζετε με κατάλληλο βήμα κατά το κούρεμα χόρτου με μεγάλο μήκος**
- Ενδείκτης "Γεμάτη θήκη χόρτου" ⑬
 - αδειάστε τη θήκη χόρτου Ε αμέσως μόλις το κλαπέτο F πέσει μόνο του, υποδηλώνοντας ότι η θήκη χόρτου έχει γεμίσει
 - για μέγιστη απόδοση συλλογής χόρτου, καθαρίστε τις οπές κάτω από το κλαπέτο F με βουρτσάκι χειρός

- Αποθήκευση 16
 - για να μειώσετε σημαντικά το χώρο που πιάνει το εργαλείο κατά την αποθήκευση του διπλώνοντας τη λαβή του (χρησιμοποιώντας την πετλώδα G) και αποθηκεύστε το εργαλείο όπως εικονίζεται, **αδειάζοντας προηγουμένως τη θήκη χόρτου**
 - ! **φροντίστε το καλώδιο (μπαλάντζα) να μην παγιωθεί κατά το δίπλωμα / ξεδίπλωμα της χειρολαβής του εργαλείου (μην ρίχνετε τη χειρολαβή)**
 - μην τοποθετείτε άλλα αντικείμενα επάνω από το χλοοκοπτικό όταν είναι σε φύλαξη
 - να αποθηκεύετε το χλοοκοπτικό σε κλειστό και στεγνό χώρο

ΣΥΝΤΗΡΗΣΗ / ΣΕΡΒΙΣ

- Αυτό το εργαλείο δεν προορίζεται για επαγγελματική χρήση
 - Κρατάτε πάντοτε το εργαλείο και το καλώδιο καθαρά (και ιδιαίτερα τις θυρίδες αερισμού J 3)
 - Να καθαρίζετε το χλοοκοπτικό μετά από κάθε χρήση με βούρτσια και μαλακό πανί
 - ! **μη χρησιμοποιείτε νερό (ειδικά ψεκαστικά υψηλής πίεσης)**
 - αφαιρέστε το συμπιεσμένο κομμένο χόρτο από την περιοχή των λεπίδων με ξύλινο ή πλαστικό εργαλείο
 - Να ελέγχετε τακτικά τη θήκη συλλογής χόρτου για φθορές ή ζημιές
 - Να ελέγχετε τακτικά και φθαρμένες λεπίδες και βίδες και φροντίστε για την αντικατάστασή τους σε σετ, για να είναι ζυγισμένο το εργαλείο
 - Αντικατάσταση της λεπίδας κοπής 11
 - ! **βγάλτε το φιν από την πρίζα και αφαιρέστε τη θήκη χόρτου E 3**
 - ! **φοράτε προστατευτικά γάντια**
 - γυρίστε ανάποδα το χλοοκοπτικό
 - αφαιρέστε/ή μοντάρετε τη λεπίδα κοπής με 13άρι κλειδί όπως εικονίζεται
 - ! **να χρησιμοποιείτε μόνο ανταλλακτικές κοπτικές λεπίδες κατάλληλου τύπου (κωδικός ανταλλακτικού SKIL 2610Z04069, με ένδειξη YAT 474 552)**
 - καθαρίστε καλά την περιοχή του άξονα και την κάτω πλευρά του εργαλείου, προτού τοποθετήσετε τη λεπίδα κοπής
 - ! **κατά την τοποθέτηση της λεπίδας κοπής, φροντίστε ώστε οι δύο όψεις X να ταιριάζουν απόλυτα με τα περυσία Y**
 - Αν παρ' όλες τις επιμελημένες μεθόδους κατασκευής κι ελέγχου το εργαλείο σταματήσει κάποτε να λειτουργεί, τότε η επισκευή του πρέπει να ανατεθεί σ' ένα εξουσιοδοτημένο συνεργείο για ηλεκτρικά εργαλεία της SKIL
 - στείλτε το εργαλείο **χωρίς να το αποσυναρμολογήσετε** μαζί με την απόδειξη αγοράς στο κατάστημα από το οποίο το αγοράσατε ή στον πλησιέστερο σταθμό τεχνικής εξυπηρέτησης της SKIL (θα βρείτε τις διευθύνσεις και το διάγραμμα συντήρησης του εργαλείου στην ιστοσελίδα www.skil.com)
- ### ΑΝΤΙΜΕΤΩΠΙΣΗ ΠΡΟΒΛΗΜΑΤΩΝ
- Στον παρακάτω κατάλογο παρατίθενται συμπτώματα βλαβών, πιθανές αιτίες και επανορθωτικές ενέργειες

(εάν με αυτά δεν εντοπιστεί και αποκατασταθεί το πρόβλημα, επικοινωνήστε με τον αντιπρόσωπο ή το κέντρο σέρβις)

! **πριν από τη διερεύνηση του προβλήματος, κλείστε το διακόπτη του εργαλείου και βγάλτε το από την πρίζα**

- ★ Το εργαλείο δε λειτουργεί
 - δεν υπάρχει τροφοδοσία ρεύματος -> ελέγξτε την τροφοδοσία ρεύματος (καλώδιο ρεύματος, αυτόματοι διακόπτες, ασφάλειες)
 - υπάρχει πρόβλημα στην πρίζα -> χρησιμοποιήστε άλλη πρίζα
 - το καλώδιο προέκτασης έχει ζημιά -> αντικαταστήστε το καλώδιο προέκτασης
 - το χόρτο είναι υπερβολικά υψηλό -> αυξήστε το ύψος κοπής και φέρτε υπό κλίση το εργαλείο
- ★ Το εργαλείο κάνει διακοπές
 - το καλώδιο προέκτασης έχει ζημιά -> αντικαταστήστε το καλώδιο προέκτασης
 - ελαττωματική εσωτερική καλωδίωση -> επικοινωνήστε με τον αντιπρόσωπο ή το κέντρο σέρβις
- ★ Το φινίρισμα που δίνει το εργαλείο είναι "άγριο" ή ο κινητήρας ζορίζεται πολύ
 - το ύψος κοπής είναι υπερβολικά χαμηλό -> αυξήστε το ύψος κοπής
 - η λεπίδα κοπής έχει στομώσει -> αντικαταστήστε τη λεπίδα κοπής
 - η κάτω πλευρά του εργαλείου έχει φρακάρει -> καθαρίστε το εργαλείο
 - το ύψος κοπής δεν είναι ομοιόμορφο -> τοποθετήστε και τους 4 τροχούς στο ίδιο ύψος κοπής
- ★ Η λεπίδα κοπής δεν περιστρέφεται
 - η λεπίδα κοπής εμποδίζεται -> αφαιρέστε το εμπόδιο
 - το παξιμάδι / βίδα της λεπίδας έχει λασκάρει-> σφίξτε το παξιμάδι / βίδα της λεπίδας
- ★ Το εργαλείο παρουσιάζει αντικανονικές δονήσεις
 - η λεπίδα κοπής έχει ζημιά -> αντικαταστήστε τη λεπίδα κοπής
 - το παξιμάδι / βίδα της λεπίδας έχει λασκάρει-> σφίξτε το παξιμάδι / βίδα της λεπίδας

ΠΕΡΙΒΑΛΛΟΝ

- **Μην πετάτε τα ηλεκτρικά εργαλεία, εξαρτήματα και συσκευασία στον κάδο οικιακών απορριμμάτων** (μόνο για τις χώρες της ΕΕ)
 - σύμφωνα με την ευρωπαϊκή οδηγία 2002/96/ΕΚ περί Ηλεκτρικών και ηλεκτρονικών συσκευών και την εξουμάλωσή της στο εθνικό δίκαιο, τα ηλεκτρικά εργαλεία πρέπει να συλλέγονται ξεχωριστά και να επιστρέφονται για ανακύκλωση με τρόπο φιλικό προς το περιβάλλον
 - το σύμβολο 11 θα σας το θυμίσει αυτό όταν έλθει η ώρα να πετάξετε τις

ΔΗΛΩΣΗ ΣΥΜΜΟΡΦΩΣΗΣ CE

- Δηλώνουμε υπευθύνως ότι το προϊόν που περιγράφεται στα "Τεχνικά χαρακτηριστικά" εκπληρώνει τους εξής κανονισμούς ή κατασκευαστικές συστάσεις: EN 60335, EN 61000, EN 55014 σύμφωνα με τις διατάξεις των οδηγιών 2006/95/ΕΚ, 2004/108/ΕΚ, 2006/42/ΕΚ, 2000/14/ΕΚ, 2011/65/ΕΕ

- **Τεχνικός φάκελος από:** SKIL Europe BV (PT-SEU/ENG1), 4825 BD Breda, NL

Marijn van der Hoofden Olaf Dijkgraaf
Operations & Engineering Approvals Manager

SKIL Europe BV, 4825 BD Breda, NL

25.07.2013

CE12

ΘΟΡΥΒΟ/ΚΡΑΔΑΣΜΟΥΣ

- Μετρημένη σύμφωνα με EN 60335 η στάθμη ακουστικής πίεσης αυτού του εργαλείου ανέρχεται σε 73 dB(A) και η στάθμη ηχητικής ισχύος σε 93 dB(A) (κοινή απόκλιση: 1,5 dB), και ο κραδασμός σε 2,5 m/s² (μεθοδος χειρός/βραχίονα - ανασφάλεια K = 1,5 m/s²)
 - Μέτρηση σύμφωνα με το 2000/14/EC (EN/ISO 3744) η εγγυημένη στάθμη ηχητικής ισχύος LWA είναι χαμηλότερη των 94 dB(A) (διαδικασία αξιολόγησης της Δήλωσης συμβατότητας σύμφωνα με το παράρτημα VI)
- Αρμόδιος φορέας : KEMA, Arnhem, NL
Αρ. πρωτοκόλλου αρμόδιου φορέα : 0344
- Το επίπεδο παραγωγής κραδασμών έχει μετρηθεί σύμφωνα με μια τυποποιημένη δοκιμή που αναφέρεται στο πρότυπο EN 60335 - μπορεί να χρησιμοποιηθεί για τη σύγκριση ενός εργαλείου με ένα άλλο, καθώς και ως προκαταρκτική αξιολόγηση της έκθεσης στους κραδασμούς όταν το εργαλείο χρησιμοποιείται για τις εφαρμογές που αναφέρονται
 - η χρήση του εργαλείου για διαφορετικές εφαρμογές ή με διαφορετικά ή κακοσυντηρημένα εξαρτήματα μπορεί να **αυξήσει** σημαντικά το επίπεδο έκθεσης
 - όταν το εργαλείο είναι απενεργοποιημένο ή δουλεύει αλλά δεν εκτελεί την εργασία, το επίπεδο έκθεσης μπορεί να **μειωθεί** σημαντικά
- ! προστατευτείτε από τις επιδράσεις των κραδασμών συντηρώντας σωστά το εργαλείο και τα εξαρτήματά του, διατηρώντας τα χέρια σας ζεστά και οργανώνοντας τον τρόπο εργασίας σας**

RO

Μαşină de tuns gazonul

0715

INTRODUCERE

- Acest instrument a fost conceput pentru tunderea gazonului și este destinat exclusiv utilizării casnice
 - Această sculă nu este destinată utilizării profesionale
 - Verificați dacă ambalajul conține toate componentele așa cum se ilustrează în desenul ②
 - În cazul în care lipsesc piese sau acestea sunt deteriorate, contactați distribuitorul
 - Instrucțiuni de asamblare ②
 - succesiunea numerelor care apar în desene corespunde succesiunii paşilor care trebuie urmați pentru asamblarea maşinii de tuns gazonul
- ! strângeți cu putere toate şuruburile și piulițele**
- Citiți cu atenție acest manual de instrucțiuni înainte de utilizare și păstrați-l pentru consultare ulterioară ④

DATE TEHNICE ①

ELEMENTELE SCULEI ③

- A Clemă de prindere cablu
- B Clemă de fixare cablu
- C Întrerupător de siguranță
- D Întrerupător trăgaci
- E Casetă pentru iarbă
- F Indicator "Casetă pentru iarbă plină"
- G Piuliță fluture de fixare
- H Măner pentru transport
- J Fantele de ventilație
- K Protecție posterioară

SIGURANȚA

INSTRUCȚIUNI DE SIGURANȚĂ GENERALE

⚠ ATENȚIE! Citiți toate indicațiile de avertizare și instrucțiunile. Nerespectarea indicațiilor de avertizare și a instrucțiunilor poate provoca electrocutare, incendii și/ sau răniiri grave. **Păstrați toate indicațiile de avertizare și instrucțiunile în vederea utilizărilor viitoare.** Termenul de "sculă electrică" folosit în indicațiile de avertizare se referă la sculele electrice alimentate de la rețea (cu cablu de alimentare) și la sculele electrice cu acumulator (fără cablu de alimentare).

1) SIGURANȚA LA LOCUL DE MUNCĂ

- a) **Păstrați-vă locul de muncă curat și bine iluminat.** Dezordinea la locul de muncă sau existența unor sectoare de lucru neiluminate poate duce la accidente.
- b) **Nu folosiți maşina în medii cu pericol de explozie, acolo unde există lichide, gaze sau pulberi inflamabile.** Sculele electrice pot produce scântei care să aprindă pulberile sau vaporii.
- c) **Nu permiteți accesul copiilor și al altor persoane în timpul lucrului cu maşina.** Dacă vi se distrage atenția puteți pierde controlul asupra maşinii.

2) SECURITATE ELECTRICĂ

- a) **Ştecherul de racordare a maşinii trebuie să se potrivească cu priza de alimentare. Nu este permisă în nici-un caz modificarea ştecherului. Nu folosiți adaptoare pentru ştechere la maşinile legate la pământ.** Ştecherele nemodificate și prizele de curent adecvate acestora reduc riscul de electrocutare.
- b) **Evitați contactul corporal cu suprafețe legate la pământ ca țevi, radiatoare, plite electrice și frigider.** Există un risc crescut de electrocutare atunci când corpul dv. este și el legat la pământ.
- c) **Nu lăsați maşina afară în ploaie sau în medii umede.** Riscul de electrocutare crește atunci când într-o sculă electrică pătrunde apă.
- d) **Nu trageți niciodată maşina de cordonul de alimentare pentru a o transporta, a o atârna sau a scoate ştecherul din priza de curent. Feriți cordonul de alimentare de căldură, ulei, muchi ascuțiți sau de subsansamble aflate în mişcare.** Un cordon de alimentare deteriorat sau înfășurat mărește riscul de electrocutare.
- e) **Atunci când lucrați cu scula electrică în aer liber, folosiți numai cordoane prelungitoare**

- autorizate pentru exterior. Întrebuițarea unu cordon prelungitor adecvat utilizării în aer liber reduce riscul de electrocutare.
- f) **Atunci când nu poate fi evitată utilizarea sculei electrice în mediu umed, folosiți un întrerupător de circuit cu împământare.** Folosirea unei întrerupător de circuit cu împământare reduce riscul de electrocutare.
- 3) SECURITATEA PERSOANELOR**
- a) **Fiți vigilenți, fiți atenți la ceea ce faceți și procedați rațional atunci când lucrați cu scula electrică.** Nu folosiți mașina dacă sunteți obosiți sau vă aflați sub influența drogurilor, alcoolului sau a medicamentelor. Un moment de neatenție în timpul lucrului cu mașina poate duce la răniri grave.
- b) **Purtați echipament de protecție personală și întotdeauna ochelari de protecție.** Folosirea echipamentelor de protecție a persoanei ca mască de protecție împotriva prafului, încălțăminte antiderapantă, cască de protecție sau aparat de protecție auditivă, în funcție de tipul și domeniul de folosire al sculei electrice, reduce riscul rănirilor.
- c) **Evitați o punere în funcțiune involuntară. Înainte de a introduce ștecherul în priză și/sau de a introduce acumulatorul în scula electrică, de a o ridica sau de a o transporta, asigurați vă că acestea este oprită.** Dacă atunci când transportați scula electrică țineți degetul pe întrerupător sau dacă porniți scula electrică înainte de a o racorda la rețeaua de curent, puteți provoca accidente.
- d) **Înainte de a pune mașina în funcțiune scoateți afară cheile reglabile și fixe.** O cheie reglabilă sau fixă, aflată într-o componentă de mașină care se rotește, poate provoca răniri.
- e) **Nu vă supraapreciați. Asigurați-vă o poziție stabilă și păstrați-vă întotdeauna echilibrul.** Astfel veți putea controla mai bine mașina în situații neașteptate.
- f) **Purtați îmbrăcăminte de lucru adecvată. Nu purtați haine largi sau podoabe. Țineți părul, îmbrăcăminte și mânușile departe de componente aflate în mișcare.** Îmbrăcăminte largă, podoabele și părul lung pot fi prinse de piesele aflate în mișcare.
- g) **Dacă există posibilitatea montării de echipamente și instalații de aspirare și colectare a prafului, asigurați-vă că acestea sunt conectate și folosite corect.** Folosirea unei instalații de aspirare a prafului poate duce la reducerea poluării cu praf.
- 4) MANEVRAȚI ȘI FOLOSIȚI CU GRIJĂ SCULELE ELECTRICE**
- a) **Nu suprasolicitați mașina. Folosiți scula electrică destinată executării lucrării dumneavoastră.** Cu scula electrică potrivită lucrați mai bine și mai sigur în domeniul de putere specificat.
- b) **Nu folosiți scula electrică dacă are întrerupătorul defect.** O sculă electrică, care nu mai poate fi pornită sau oprită este periculoasă și trebuie reparată.
- c) **Scoateți ștecherul afară din priză și/sau îndepărtați acumulatorul, înainte de a executa reglaje, a schimba accesoriul sau de a pune mașina la o parte.** Această măsură preventivă reduce riscul unei porniri involuntare a mașinii.
- d) **În caz de nefolosire păstrați mașinile la loc inaccesibil copiilor. Nu permiteți persoanelor care nu sunt familiarizate cu mașina sau care n-au citit prezentele instrucțiuni, să folosească mașina.** Sculele electrice sunt periculoase atunci când sunt folosite de persoane fără experiență.
- e) **Întrețineți-vă cu grijă mașina. Controlați dacă componentele mobile funcționează corect și dacă nu se blochează, dacă nu există piese defecte sau deteriorate, care să afecteze funcționarea mașinii. Înainte de a repune în funcțiune mașina, duceți-o la un atelier de asistență service pentru repararea sau înlocuirea pieselor deteriorate.** Multe accidente s-au datorat întreținerii defectuoase a sculelor electrice.
- f) **Păstrați accesoriile bine ascuțite și curate.** Accesoriile atent întreținute, cu muchii tăietoare bine ascuțite se blochează mai greu și pot fi conduse mai ușor.
- g) **Folosiți sculele electrice, accesoriile, dispozitivele de lucru etc. conform prezentelor instrucțiuni. Țineți seama de condițiile de lucru și de lucrarea care trebuie executată.** Întrebuițarea unor scule electrice destinate altor utilizări decât cele preconizate, poate duce la situații periculoase.
- 5) SERVICE**
- a) **Permiteți repararea mașinii dumneavoastră numai de către un specialist calificat și numai cu piese de schimb originale.** În acest mod este garantată menținerea siguranței de exploatare a mașinii.

INSTRUCȚIUNI DE SIGURANȚĂ SPECIFICE PENTRU MAȘINILE DE TUNS GAZONUL

EXPLICAȚIA SIMBOLURILOR DE PE INSTRUMENT

- ④ Citiți manual de instrucțiuni înainte de utilizare
- ⑤ Izolație dublă (nu este necesar fir de împământare)
- ⑥ Acordați atenție pericolului de rănire din cauza reziduurilor proiectate (persoanele din apropiere trebuie să stea la o distanță sigură de zona de lucru)
- ⑦ Feriți-vă de lamele ascuțite
- ⑧ Mențineți cablul (prelungitor) la distanță față de lama rotativă
- ⑨ Lama continuă să se rotească o perioadă scurtă după oprirea instrumentului (**nu atingeți lama rotativă**)
- ⑩ Opriți instrumentul și decuplați ștecherul înainte de curățare/întreținere sau dacă este deteriorat sau încurcat cablul (prelungitor)
- ⑪ Nu aruncați instrumentul direct la pubelele de gunoi

GENERALITĂȚI

- Evitați să utilizați mașina de tuns pe gazon ud
- Utilizatorul este responsabil de accidentele sau pericolele în care sunt puse alte persoane sau bunurile acestora
- Nu utilizați niciodată instrumentul cu un dispozitiv de protecție posterior defect sau cu o casetă pentru iarbă defectă
- Când utilizați instrumentul fără caseta pentru iarbă, asigurați-vă că protecția posterioară este în poziția închisă (**pericol de rănire din cauza discului de tăiere rotativ**)
- Decuplați întotdeauna ștecherul de la sursa de alimentare
 - oricând lăsați instrumentul nesupravegheat
 - înainte de a curăța materialele prinse în instrument
 - înainte de a verifica instrumentul, de a-l curăța sau de a lucra la acesta

- după lovirea unui corp străin
- oricând instrumentul începe să vibreze în mod neobișnuit

SECURITATE ELECTRICĂ

- Verificați periodic cordonul și dacă este deteriorat cereți unei persoane calificate să le înlocuiască
- Atunci când folosiți instrumentul în medii cu umiditate crescută, utilizați un dispozitiv de curent rezidual (RCD) cu un curent de declanșare de maxim 30 mA
- Folosiți cabluri de prelungire derulate complet, protejate/izolate, cu o capacitate de 16 amperi
- Folosiți doar un cablu prelungitor de tipul H05VV-F sau H05RN-F destinat utilizării în aer liber și echipat cu un ștecher și o priză protejate contra stropirii
- Nu călcați, nu striviți și nu trageți de cablul prelungitor
- Protejați cablul prelungitor de căldură, ulei și contactul cu muchii ascuțite
- Verificați periodic cablul prelungitor și înlocuiți-l dacă este deteriorat (**cordoanele de racord necorespunzătoare pot fi periculoase**)

SECURITATEA PERSOANELOR

- Nu utilizați instrumentul dacă sunteți desculț(ă) sau purtați sandale; purtați întotdeauna încălțăminte solidă și pantaloni lungi
- Familiarizați-vă cu comenzile și cu utilizarea corespunzătoare a instrumentului
- Nu tundeți niciodată gazonul în apropierea altor persoane (în special copii) și animale
- **Feriți-vă întotdeauna mâinile și picioarele de piesele în mișcare**
- **Stați în permanență la distanță de deschiderea de evacuare**
- Porniți motorul conform instrucțiunilor și cu picioarele la distanță corespunzătoare de lamă
- **Acest instrument nu este destinat utilizării de către persoane (inclusiv copii) cu capacități fizice, senzoriale sau mentale reduse, sau fără experiență și cunoștințe, cu excepția cazului în care sunt supravegheați sau instruiți în privința folosirii instrumentului de către o persoană responsabilă pentru siguranța lor** (reglementările locale pot impune restricții privind vârsta operatorului)
- Asigurați-vă că copiii nu se joacă cu scula
- Utilizați mașina de tuns gazonul deplasându-vă suficient de lent (nu alergați)
- Mențineți o poziție stabilă pe pante și nu tundeți gazonul de pe pantele extrem de abrupte
- Fiți foarte atenți atunci când vă deplasați înapoi sau trageți mașina de tuns gazonul spre dumneavoastră

ÎNAINTEA UTILIZĂRII

- Înainte de fiecare utilizări, verificați felul cum funcționează dispozitivul și în cazul unui defect, dați-l imediat să fie reparat de o persoană autorizată; niciodată să nu demontați dvs dispozitivul
- Inspectați bine zona de utilizare a mașinii de tuns gazonul și îndepărtați toate obiectele dure care pot fi agățate și proiectate de mecanismul de tăiere
- Asigurați-vă întotdeauna că mecanismul de tăiere este în stare bună de funcționare (piesele uzate sau deteriorate sunt înlocuite)
- Strângeți toate piulițele, bolțurile și șuruburile pentru a vă asigura că mașina de tuns gazonul este în stare bună de funcționare

ÎN TIMPUL FUNCȚIONĂRII

- Tundeți iarba doar ziua, pe lumină suficientă, sau cu o sursă adecvată de lumină artificială

- Nu înclinați instrumentul când porniți sau alimentați motorul, cu excepția situației în care instrumentul trebuie să fie înclinat pentru a începe acționarea în iarbă înaltă (în acest caz, nu îl înclinați mai mult decât este absolut necesar și înclinați numai partea care nu se află în spere operator); asigurați-vă întotdeauna că ambele mâini sunt în poziția corespunzătoare pentru utilizare înainte de a readuce instrumentul pe sol
- Asigurați-vă că discul de tăiere s-a oprit complet când înclinați instrumentul pentru a traversa alte suprafețe decât gazonul și când îl transportați la și de la zona în care trebuie folosit
- Tundeți transversal suprafețele pantelor (niciodată în sus și în jos)
- Aveți mare grijă când schimbați direcția pe pante
- Nu ridicați și nu transportați niciodată mașina de tuns gazonul cu motorul pornit
- Opriti întotdeauna instrumentul și decuplați ștecherul de la sursa de alimentare în cazul în care cablul de alimentare sau cablul prelungitor este tăiat, deteriorat sau încurcat (**nu atingeți cablul înainte de a decupla ștecherul**)
- Nu folosiți scula atunci când cordonul sau prezintă defecțiuni; înlocuirea lor se va efectua de o persoană autorizată

UTILIZAREA

- Clemă de prindere cablu ⑫
 - fixați bucla cablului prelungitor în clemă de prindere a cablului A, conform ilustrației
 - trageți ferm pentru a fixa cablul prelungitor
- Reglarea înălțimii de tăiere (28-48-68 mm) ⑬
 - ! **deconectați ștecherul de la sursa de curent electric și asigurați-vă că lama de tăiere nu se mai rotește**
 - răsturnați mașina de tuns gazonul
 - amplasați axul roților din față, precum și axul roților din spate la înălțimea de tăiere dorită (28, 48 sau 68 mm)
 - ! **asigurați-vă că cele patru roți sunt fixate la aceeași înălțime de tăiere**
- Întrerupător pornit/oprit de siguranță ⑭
 - Previne pornirea accidentală a instrumentului
 - porniți scula apăsând mai întâi întrerupătorul de siguranță C și apoi apăsând întrerupătorul trăgaci D
 - opriti scula prin eliberarea întrerupătorului trăgaci D
 - ! **după oprirea instrumentului, lama continuă să se rotească timp de câteva secunde**
- Instrucțiuni de exploatare
 - țineți mașina de tuns gazonul cu ambele mâini
 - așezați mașina de tuns gazonul pe marginea gazonului și tundeți iarba în direcția înainte
 - întoarceți la capătul fiecărei curse, suprapunând ușor mașina pe porțiunea tunsă anterior
 - utilizați mașina de tuns gazonul numai pe iarbă uscată
 - păstrați mașina de tuns gazonul la distanță de obiectele dure și de plante
 - pentru a tunde iarba mai lungă, setați mai întâi mecanismul de tăiere la înălțimea de tăiere maximă, apoi la o înălțime de tăiere mai mică
 - ! **potriviti-vă ritmul de mers când tundeți iarba înaltă**
- Indicator "Casetă pentru iarbă plină" ⑮
 - goliți caseta pentru iarbă E de îndată ce clapeta F cooboară, indicând umplerea casei pentru iarbă

- pentru colectarea optimă a ierbiilor curățați regulat găurile de sub clapă F cu ajutorul unei perii
- Depozitare (16)
 - pentru a economisi spațiu de depozitare substanțial, pliați mânerul instrumentului (cu ajutorul piuliței fluture G) și depozitați instrumentul cum este ilustrat; **mai întâi caseta pentru iarbă goală**
- ! **asigurați-vă că nu este prins cablul (prelungitor) când pliați/depliați mânerul instrumentului (nu lăsați mânerul să cadă)**
- nu așezați obiecte pe mașina de tuns gazonul pe durata depozitării
- depozitați mașina de tuns gazonul într-un spațiu uscat

ÎNȚREȚINERE / SERVICE

- Această sculă nu este destinată utilizării profesionale
- Păstrați aparatul și cablul curat (mai ales fantele de ventilație J (3))
- Curățați mașina de tuns gazonul după fiecare utilizare cu o șeșă de mână și o lavetă moale
- ! **nu folosiți apă (în special pulverizatoare de înaltă presiune)**
- îndepărtați resturile de iarbă compacte din zona lamelor cu ajutorul unui instrument din lemn sau plastic
- Verificați periodic dacă nu este uzată sau deteriorată caseta pentru iarbă
- Verificați periodic dacă nu există discuri de tăiere și bolțuri uzate sau deteriorate și înlocuiți tot setul pentru a păstra echilibrul
- Înlocuirea lamei (17)
 - ! **decuplați ștecherul de la sursa de alimentare și demontați caseta pentru iarbă E (3)**
 - ! **purtați mănuși de protecție**
 - răsturnați mașina de tuns gazonul
 - demontați/montați lama cu o cheie de 13, în modul indicat în ilustrație
 - ! **înlocuiți lamele de tăiere doar cu lame adecvate (SKIL cod de piesă de schimb 2610Z04069, marcaj YAT 474 552)**
 - curățați temeinic zona arborelui și partea inferioară a instrumentului înainte de a monta lama
 - ! **în timp ce montați lama, asigurați-vă că cele două orificii X se potrivesc perfect cu cele două chei de orientare Y**
- Dacă în ciuda procedurilor de fabricație și control riguroase scula are totuși o pană, repararea acesteia se va face numai la un atelier de asistență service autorizat pentru scule electrice SKIL
 - trimiteți scula **în totalitatea lui** cu bonul de cumpărare la distribuitorul sau la centrul de service SKIL cel mai apropiat (adrese și diagrame de service se găsesc la www.skil.com)

DEPANAREA

- Următoarea listă prezintă simptomele problemelor, cauzele posibile și operațiunile de corectare (dacă acestea nu pot fi identificate și problema nu poate fi corectată, contactați furnizorul sau centrul de service)
- ! **opriți și deconectați instrumentul de la priză înainte de investigarea problemei**
- ★ Instrumentul nu funcționează
 - nu este alimentat -> verificați sursa de alimentare (cablul de alimentare, întrerupătoarele, siguranțele)

- ștecherul de alimentare este defect -> folosiți un alt ștecher
- cablul prelungitor este deteriorat -> înlocuiți cablul prelungitor
- iarbă prea înaltă -> măriți înălțimea de tăiere și înclinați instrumentul
- ★ Instrumentul funcționează intermitent
 - cablul prelungitor este deteriorat -> înlocuiți cablul prelungitor
 - cabluri interne defecte -> contactați furnizorul/centrul de service
- ★ Instrumentul lasă iarba finisată neregulat sau motorul merge greu
 - înălțimea de tăiere prea mică -> măriți înălțimea de tăiere
 - lamă tocită -> înlocuiți lama
 - partea inferioară a instrumentului este foarte înfundată -> curățați instrumentul
 - înălțimea de tăiere nu este uniformă -> fixați cele 4 roți la aceeași înălțime de tăiere
- ★ Lama nu se rotește
 - lama este obstrucționată -> îndepărtați blocajul
 - șurub/piuliță slăbit(ă) la lamă -> strângeți piulița/șurubul lamei
- ★ Instrumentul vibrează anormal
 - lamă deteriorată -> înlocuiți lama
 - șurub/piuliță slăbit(ă) la lamă -> strângeți piulița/șurubul lamei

MEDIUL

- **Nu aruncați sculele electrice, accesoriile sau ambalajele direct la pubelele de gunoi** (numai pentru țările din Comunitatea Europeană)
 - Directiva Europeană 2002/96/EC face referire la modul de aruncare a echipamentelor electrice și electronice și modul de aplicare a normelor în conformitate cu legislația națională; sculele electrice în momentul în care au atins un grad avansat de uzură și trebuie aruncate, ele trebuie colectate separat și reciclate într-un mod ce respectă normele de protecție a mediului înconjurător
 - simbolul (11) vă va reaminti acest lucru

DECLARAȚIE DE CONFORMITATE CE

- Declarăm pe proprie răspundere că produsul descris la paragraful "Date tehnice" este în conformitate cu următoarele standarde și documente normative: EN 60335, EN 61000, EN 55014 conform prevederilor directivelor 2006/95/CE, 2004/108/CE, 2006/42/CE, 2000/14/CE, 2011/65/UE
- **Documentație tehnică la:** SKIL Europe BV (PT-SEU/ENG1), 4825 BD Breda, NL

Marijn van der Hoofden
Operations & Engineering

Olaf Dijkgraaf
Approvals Manager

SKIL Europe BV, 4825 BD Breda, NL
25.07.2013

CE12

ZGOMOT/VIBRAȚII

- Мăсурат в конформитате с EN 60335 нивелу де пресиуне а сунетулуй генерат де ацест инструмент есте де 73 dB(A) iar нивелу де путере а сунетулуй 93 dB(A) (abaterea standard: 1,5 dB), iar нивелу вибраȚиilor 2,5 m/s² (метода mină-brat; incertitudine K = 1,5 m/s²)
- Мăсурат в конформитате с 2000/14/CE (EN/ISO 3744) нивелу гарантат де путере а сунетулуй (LWA) есте май мот де 94 dB(A) (процеду де евалуаре ал конформитăȚи потиврив анекси VI)

Ауторитатеа компетентă: KEMA, Arnhem, NL

Нумăрул де идентификаре ал ауторитăȚи компетенте: 0344

- Нивелу емиисиilor де вибраȚии а fost мăсурат в конформитате с ун тест стандардизат прецизат в EN 60335; poate fi folosit pentru а compara о скулă с алта њи са евалуаре preliminară а expunerii ал вибраȚии атунци цанд folosii scula pentru aplicaȚии менȚionate
 - utilizarea sculei pentru aplicaȚии diferite sau сu accesorii diferite њи prost вntreȚинуте poate crește semnificativ нивелу де expunere
 - momentele в care scula ете oprită sau цанд funcȚionează dar nu execută nicio lucrare, pot reduce semnificativ нивелу де expunere

! protejaȚii-vă вmpotriva efectelor vibraȚиilor prin вntreȚинутеа sculei њи а accesoriiilor sale, păstrănd măinile calde њи organizănd procesele де lucru

BG

Косачка за трева

0715

УВОД

- Този инструмент е предназначен за косене само на домашни тревни площи
- Този инструмент не е предназначен за професионална употреба
- Проверете дали в опаковката се намират всички части, както е показано на чертежа ②
- Когато има липсващи или повредени части, моля, свържете се с Вашия дилър
- Инструкции за сглобяване ②
 - поредицата от цифри, появяващи се на илюстрациите, отговаря на поредицата от стъпки, които трябва да се следват за сглобяване на косачката за трева

! затегнете здраво всички винтове и гайки

- Прочетете внимателно това ръководство преди употреба и го запазете за справки в бъдеще ④

ТЕХНИЧЕСКИ ДАННИ ①

ЕЛЕМЕНТИ НА ИНСТРУМЕНТА ③

- A Ограничител на кабела
- B Скоба за кабела
- C Предпазен изключвател
- D Спусъкъв включвател
- E Кож за трева
- F Индикатор "Пълно отделение за тревата"
- G Осигурителна крилчата гайка
- H Транспортна ръкохватка

J Вентиляционните отвори

K Заден предпазен капак

БЕЗОПАСНОСТ

ОБЩИ УКАЗАНИЯ ЗА БЕЗОПАСНА РАБОТА

⚠ ВНИМАНИЕ! Прочетете внимателно всички указания. Неспазването на приведените по долу указания може да доведе до токов удар, пожар и/или тежки травми. **Съхранявайте тези указания на сигурно място.** Използваният по-долу термин "електроинструмент" се отнася до захранвани от електрическата мрежа електроинструменти (със захранващ кабел) и до захранвани от акумулаторна батерия електроинструменти (без захранващ кабел).

1) БЕЗОПАСНОСТ НА РАБОТНОТО МЯСТО

- a) **Поддържайте работното си място чисто и подредено.** Безпорядъкът или недостатъчното осветление могат да спомогнат за възникването на трудова злополука.
- b) **Не работете с електроинструмента в среда с повишена опасност от възникване на експлозия, в близост до леснозапалими течности, газове или прахообразни материали.** По време на работа в електроинструментите се отделят искри, които могат да възпламенят прахообразни материали или пари.
- c) **Дръжте деца и странични лица на безопасно разстояние, докато работите с електроинструмента.** Ако вниманието Ви бъде отклонено, може да загубите контрола над електроинструмента.

2) БЕЗОПАСНОСТ ПРИ РАБОТА С ЕЛЕКТРИЧЕСКИ ТОН

- a) **Щецелът на електроинструмента трябва да е подходящ за ползвания контакт. В никакъв случай не се допуска изменение на конструкцията на щецсела. Когато работите със занулени електроуреди, не използвайте адаптери за щецсела.** Ползването на оригинални щецсели и контакти намалява риска от възникване на токов удар.
- b) **Избягвайте допира на тялото Ви до заземени тела, напр. тръби, отоплителни уреди, пещи и хладилници.** Когато тялото Ви е заземено, рискът от възникване на токов удар е по-голям.
- c) **Предпазвайте електроинструмента си от дъжд и влага.** Проникването на вода в електроинструмента повишава опасността от токов удар.
- d) **Не използвайте захранващия кабел за цели, за които той не е предвиден, напр. за да носите електроинструмента за кабела или да извадите щецсела от контакта. Предпазвайте кабела от нагриване, омасляване, допир до остри ръбове или до подвижни звена на машини.** Повредени или усукани кабели увеличават риска от възникване на токов удар.
- e) **Когато работите с електроинструмент навън, използвайте само удължителни кабели, предназначени за работа на открито.** Използването на удължител, предназначен за

- работа на открито, намалява риска от възникване на токов удар.
- f) **Ако се налага използването на електроинструмента във влажна среда, използвайте предпазен прекъсвач за утечни токове.** Използването на предпазен прекъсвач за утечни токове намалява опасността от възникване на токов удар.
- 3) БЕЗОПАСЕН НАЧИН НА РАБОТА**
- a) **Бъдете концентрирани, следете внимателно действията си и постъпвайте предпазливо и разумно. Не използвайте електроинструмента, когато сте уморени или под влиянието на наркотични вещества, алкохол или упойващи лекарства.** Един миг разсеяност при работа с електроинструмент може да има за следствие изключително тежки наранявания.
- b) **Работете с предпазващо работно облекло и винаги с предпазни очила.** Носенето на подходящи за ползвания електроинструмент и извършваната дейност лични предпазни средства, като дихателна маска, здрави плътнотатворени обувки със стабилен грайфер, защитна каска или шумозаглушители (антифони), намалява риска от възникване на трудова злополука.
- c) **Избягвайте опасността от включване на електроинструмента по невнимание. Преди да включите щепсела в захранващата мрежа или да поставите акумулаторната батерия, се уверявайте, че пусковият прекъсвач е в положение изключено.** Ако, когато носите електроинструмента, държите пръста си върху пусковия прекъсвач, или ако подавате захранващо напрежение на електроинструмента, когато е включен, съществува опасност от възникване на трудова злополука.
- d) **Преди да включите електроинструмента, се уверявайте, че сте отстранили от него всички помощни инструменти и гаечни ключове.** Помощен инструмент, забравен на въртящо се звено, може да причини травми.
- e) **Не надценявайте възможностите си. Работете в стабилно положение на тялото и във всеки момент поддържайте равновесие.** Така ще можете да контролирате електроинструмента по-добре и по-безопасно, ако възникне неочаквана ситуация.
- f) **Работете с подходящо облекло. Не работете с широки дрехи или украшения. Дръжте носата си, дрехите и ръкавици на безопасно разстояние от въртящи се звена на електроинструментите.** Широките дрехи, украшенията, дългите коси могат да бъдат захванати и увлечени от въртящи се звена.
- g) **Ако е възможно използването на външна аспирационна система, се уверявайте, че тя е включена и функционира изправно.** Използването на аспирационна система намалява рисковете, дължащи се на отделящата се при работа прах.
- 4) ВНИМАТЕЛНО ОТНОШЕНИЕ КЪМ ЕЛЕКТРОИНСТРУМЕНТИ**
- a) **Не претоварвайте електроинструмента. Използвайте електроинструментите само съобразно тяхното предназначение.** Ще работите по-добре и по-безопасно, когато използвате подходящия електроинструмент в зададения от производителя диапазон на натоварване.
- b) **Не използвайте електроинструмент, чиито пусков прекъсвач е повреден.** Електроинструмент, който не може да бъде изключван и включван по предвидения от производителя начин, е опасен и трябва да бъде ремонтиран.
- c) **Преди да промените настройките на електроинструмента, да замените работни инструменти и допълнителни приспособления, както и когато продължително време няма да използвате електроинструмента, изключвайте щепсела от захранващата мрежа и/или изваждайте акумулаторната батерия.** Тази мярка премахва опасността от задействане на електроинструмента по невнимание.
- d) **Съхранявайте електроинструментите на места, където не могат да бъдат достигнати от деца. Не допускате те да бъдат използвани от лица, които не са запознати с начина на работа с тях и не са прочели тези инструкции.** Когато са в ръцете на неопитни потребители, електроинструментите могат да бъдат изключително опасни.
- e) **Поддържайте електроинструментите си грижливо. Проверявайте дали подвижните звена функционират безупорно, дали не заклинват, дали има счупени или повредени детайли, които нарушават или изменят функциите на електроинструмента. Преди да използвате електроинструмента, се погрижете повредените детайли да бъдат ремонтирани.** Много от трудовите злополуки се дължат на недобре поддържани електроинструменти и уреди.
- f) **Поддържайте режещите инструменти винаги добре заточени и чисти.** Добре поддържаните режещи инструменти с остри ръбове оказват по-малко съпротивление и се водят по-леко.
- g) **Използвайте електроинструментите, допълнителните приспособления, работните инструменти и т.н., съобразно инструкциите на производителя. С дейности и процедури, евентуално предписани от различни нормативни документи.** Използването на електроинструменти за различни от предвидените от производителя приложения повишава опасността от възникване на трудови злополуки.
- 5) ПОДДЪРЖАНЕ**
- a) **Допускате ремонтът на електроинструментите Ви да се извършва само от квалифицирани специалисти и само с използването на оригинални резервни части.** По този начин се гарантира съхраняване на безопасността на електроинструмента.

СПЕЦИФИЧНИ ИНСТРУКЦИИ ЗА БЕЗОПАСНОСТ ПРИ РАБОТА С КОСАЧКИ ЗА ТРЕВА

ОБЯСНЕНИЕ НА СИМВОЛИТЕ ПО ИНСТРУМЕНТА

- ④ Преди употреба прочетете ръководството с указания
- ⑤ Двойна изолация (не се изисква кабел за заземяване)
- ⑥ **Внимавайте за опасността от нараняване от летящи отпадъци** (дръжте околните на безопасно разстояние от работната площ)
- ⑦ Пазете се от острите ножове
- ⑧ Дръжте (удължителния захранващ кабел) захранващия кабел далеч от въртящия се режещ нож
- ⑨ Режещият нож продължава да се върти известно време след изключване на машината (**не пипайте въртящия се нож**)
- ⑩ Изключете от бутона и от контакта преди почистване/поддръжка или ако кабелът (удължителят) е повреден или запален
- ⑪ Не изхвърляйте инструмента заедно с битови отпадъци

ОБЩИ

- Избягвайте да косите мокра трева
- Потребителят носи отговорност за злополуки и вреди, причинени на други хора или на тяхна собственост
- Никога не работете с косачката, ако е повреден задният предпазен капак или кошът за трева
- Когато работите с косачката без кош за трева, уверете се, че задният предпазен капак е в затворено положение (**опасност от нараняване, причинено от въртящия се режещ нож**)
- Винаги изключвайте щепсела от контакта
 - когато обставяте инструмента без надзор
 - преди да почиствате заседнали материали
 - преди да проверявате, почиствате или работите по инструмента
 - след удар с чуждо тяло
 - ако инструментът започне да вибрира ненормално

БЕЗОПАСНОСТ ПРИ РАБОТА С ЕЛЕКТРИЧЕСКИ ТОК

- Периодично проверявайте връзките на кабела и в случай, че са повредени, се обърнете към квалифициран специалист за подмяна
- Когато ползвате инструмента на влажно място, ползвайте устройство за остатъчен ток (УОТ) с ток на задействане 30 mA максимум
- Използвайте напълно развити и безопасени разклонители с капацитет 16 A
- Използвайте само удължители от тип H05VV-F или H05RN-F, предназначени за употреба на открито и снабдени с водоустойчиви щепсели и контакти
- Не настъпвайте, не премазвайте и не дърпайте кабела (удължителя)
- Пазете кабела (удължителя) от горещи предмети, масло и остри ръбове
- Периодично проверявайте удължителя и го подменете, ако е повреден (**неподходящите удължители може да са опасни**)

БЕЗОПАСЕН НАЧИН НА РАБОТА

- Не работете с косачката боси или с отворени сандали; винаги носете здрави обувки и дълги панталони

- Запознайте се с управлението и правилното ползване на инструмента
- Никога не косете в непосредствена близост до хора (особено деца) или животни
- **Винаги дръжте ръцете и краката настрана от въртящите се части**
- **Винаги стойте далеч от отвора за изхвърляне на тревата**
- Включвайте машината в съответствие с инструкциите, като внимавате краката Ви да са на безопасно разстояние от режещия нож
- **Този инструмент не е предназначен за употреба от страна на лица (включително деца) с намалени физически, сетивни или умствени способности, или такива, които нямат нужните познания и опит, осен ако те не са под компетентно ръководство, или ако не са били съответно инструктирани по отношение употребата на инструмента от страна на лицето, отговарящо за тяхната безопасност** (местните разпоредби може да налагат ограничение върху възрастта на оператора)
- Не позволявайте деца да играят с инструмента
- Работете с косачката само като ходите (не тичайте)
- Поддържайте подходяща опора на краката по склонове и не косете при много стръмни наклони
- Бъдете изключително внимателни, когато косите назад или дърпате косачката към Вас

ПРЕДИ УПОТРЕБА

- Преди да започнете работа, винаги проверявайте как работи инструмента и в случай на дефект незабавно го дайте за ремонт на квалифицирано лице; никога не отваряйте сами електроинструмента
- Проверете основно тревната площ, където ще се използва косачката, и отстранете всички твърди предмети, които биха могли да бъдат захванати и изхвърлени от режещия механизъм
- Винаги бъдете сигурни, че режещият механизъм е в добро работно състояние (подменете износените или повредени части)
- Поддържайте затегнати всички гайки, болтове и винтове, за да сте сигурни, че косачката е в безопасно работно състояние

ПРИ УПОТРЕБА

- Косете само при достатъчна дневна светлина или подходящо изкуствено осветление
- Не наклоняйте косачката при пускане или спиране на електродвигателя, освен ако не се налага косачката да се наклони, за да се пусне във висока трева (в този случай не я наклоняйте повече от абсолютно необходимото и наклоняйте само частта, която е далеч от оператора); винаги дръжте здраво косачката с двете си ръце преди да я върнете на земята
- Уверявайте се, че режещият нож е напълно спрял да се върти, когато наклоняте косачката за преминаване през непокрита с трева участъци и когато я транспортирате до или от площта, която ще се коси
- По наклонен терен косете винаги напречно на наклона (никога нагоре и надолу)
- Бъдете особено внимателни при смяна на посоката на движение по склонове
- Никога не вдигайте или принасяйте косачката при работещ електродвигател

- Изключете инструмента и извадете щепсела от контакта, ако захранващият кабел или удължителът бъде срязан, повреден или заплетен (**не пипайте кабела преди да извадите щепсела от контакта**)
- Не използвайте инструмента, когато е повреден шнурът; замената му следва да се извърши от квалифицирано лице

УПОТРЕБА

- Ограничител на кабела ⑫
 - закачете извивката на удължителя на ограничителя А както е показано на фигурата
 - дръпнете здраво, за да закрепите удължителя
- Регулиране на височината на рязане (28-48-68 мм)

⑬

! извадете щепсела от захранващия източник и се уверете, че режещият нож е спрял да се върти

- обърнете косачката наопак
- поставете оста на предните колела и оста на задните колела в желаната от Вас позиция на височината на рязане (28, 48 или 68 мм)

! уверете се, че четирите колела са фиксирани в една и съща позиция на височината на рязане

- Обезопасяващ прекъсвач за включване/изключване ⑭

Не позволява случайното включване на инструмента

- включете инструмента, като първо натиснете предпазен изключвател С и след това спусъков включвател D
- изключете инструмента като освободите спусъков включвател D

! след изключване на инструмента режещият нож продължава да се върти няколко секунди

- Инструкции за работа
 - дръжте косачката с двете ръце
 - поставете косачката в края на тревната площ и косете в посока напред
 - обърнете посоката на движение в края на всеки завои, като леко прекриете предишната отрязана ивица
 - използвайте косачката само за рязане на суха трева
 - дръжте косачката далеч от твърди предмети и растения
 - за косене на висока трева първо поставете режещия механизъм на максималната височина на рязане, а след това на по-малка височина на рязане

! променете скоростта си на ходене, когато носите висока трева

- Индикатор "Пълно отделение за тревата" ⑮
 - изпразнете контейнера за събиране на тревата Е веднага щом капачето F падне само, показвайки че отделението за трева е пълно
 - за оптимално добро представяне по отношение на събирането на трева, почиствайте редовно процеците под капачето F с четка
- Съхранение ⑯
 - за спестяване на значително пространство за съхранение сгънете дръжката на инструмента

(като използвате крилчатата гайка G) и оставете инструмента на съхранение, както е показано на илюстрацията; **първо изпразнете ноша за трева ! уверете се, че (удължителният захранващ кабел) захранващият кабел не е захванат, когато сгъвате/разгъвате дръжката на инструмента (не допускате ръкохватката да пада)**

- не поставяйте други предмети върху косачката, когато се оставя на склад
- съхранявайте косачката в закрито и сухо помещение

ПОДДРЪЖКА / СЕРВИЗ

- Този инструмент не е предназначен за професионална употреба
- Поддържайте винаги електроинструмента и захранващия кабел чисти (особено вентилационните отвори J ③)
- След всяко използване почиствайте косачката с ръчна четка и меко парче плат
- **! не използвайте вода (особено струи с високо налягане)**
 - отстранявайте сбита отрязана трева от зоната на ножовете с дървено или пластмасово приспособление
- Редовно проверявайте дали кошът за трева не е износен или повреден
- Редовно проверявайте за износени или повредени ножове или болтове и ги подменяйте в комплект, за да запазите баланса
- Смяна на режещия нож ⑰

! извадете щепсела от захранващия източник и свалете ноша за трева Е ③

! носете защитни ръкавици

- обърнете косачката наопак
- свалете/монтирайте режещия нож, като използвате гаечен ключ 13, както е показано на илюстрацията

! за подмяна използвайте единствено корентния тип резци (SKIL резервна част номер 2610Z04069, маркирана YAT 474 552)

- грижливо почистете областта на вала и долната страна на инструмента преди да монтирате режещия нож

! докато монтирате режещия нож, уверете се, че двата отвора X пасват идеално на двата знана за центриране Y

- Ако въпреки прецизното производство и внимателно изпитване възникне повреда, инструмента да се занесе за ремонт в авторизиран сервиз за електроинструменти на SKIL
 - занесете инструмента в неразглобен вид заедно с доказателство за покупката му в търговския обект, откъдето сте го закупили, или в най-близкия сервиз на SKIL (адресите, както и схемата за сервизно обслужване на електроинструмента, можете да намерите на адрес www.skil.com)

ОТКРИВАНЕ И ОТСТРАНЯВАНЕ НА ПРОБЛЕМИ


- В следващия списък са включени признаците за проблеми, вероятните причини и начините за отстраняване (ако това не помогне за откриване и

отстраняване на проблема, се обърнете към Вашия дистрибутор или сервиз)

! изключете инструмента и извадете щепсела от контакта преди да проучвате проблема

- ★ Инструментът не работи
 - няма захранване -> проверете захранването (захранва кабел, прекъсвачи, предпазители)
 - повреден контакт -> ползвайте друг контакт
 - повреден удължител -> сменете удължителя
 - тревата е твърде висока -> увеличете височината на рязане и наклонете инструмента
- ★ Инструментът работи с прекъсване
 - повреден удължител -> сменете удължителя
 - повредени вътрешни кабели -> обърнете се към дистрибутора/сервиз
- ★ След машината остава неравно окосена трева или електродвигателят работи тежко
 - височината на рязане е твърде малка -> увеличете височината на рязане
 - режещият нож е затъпен -> подменете режещия нож
 - долната част на машината е задръстена -> почистете машината
 - височината на рязане не е еднаква -> поставете 4-те колела на една и съща височина на рязане
- ★ Режещият нож не се върти
 - режещият нож е блокиран -> отстранете препятствието
 - гайката/болтът на ножа е разхлабена/разхлабен -> затегнете гайката/болта на ножа
- ★ Инструментът вибрира необичайно
 - режещият нож е повреден -> подменете режещия нож
 - гайката/болтът на ножа е разхлабена/разхлабен -> затегнете гайката/болта на ножа

ОПАЗВАНЕ НА ОКОЛНАТА СРЕДА

- **Не изхвърляйте електроуредите, приспособленията и опановните заедно с битови отпадъци** (само за страни от ЕС)
 - съобразно Директивата на ЕС 2002/96/EG относно износени електрически и електронни уреди и отразяването ѝ в националното законодателство износените електроуреди следва да се събират отделно и да се предават за рециклиране според изискванията за опазване на околната среда
 - за това указва символът  тогава когато трябва да бъдат унищожени

ДЕКЛАРАЦИЯ ЗА СЪОТВЕТСТВИЕ

CE

- С пълна отговорност ние декларираме, че описаният в "Технически данни" продукт съответства на следните стандарти или нормативни документи: EN 60335, EN 61000, EN 55014 съгласно изискванията на директиви 2006/95/EG, 2004/108/EG, 2006/42/EG, 2000/14/EG, 2011/65/EC

- **Подробни технически описания при:** SKIL Europe BV (PT-SEU/ENG1), 4825 BD Breda, NL

Marijn van der Hoofden
Operations & Engineering

Olaf Dijkgraaf
Approvals Manager

SKIL Europe BV, 4825 BD Breda, NL
25.07.2013

CE12

ШУМ/ВИБРАЦИИ

- Измерено в съответствие с EN 60335 нивото на звуково налягане на този инструмент е 73 dB(A) а нивото на звукова мощност е 93 dB(A) (стандартно отклонение: 1,5 dB), а вибрациите са 2,5 m/c² (метод ръка-рамо; неопределеност K = 1,5 m/c²)
 - Измерена в съответствие с 2000/14/EC (EN/ISO 3744) гарантираната сила на шума LWA е по-ниска от 94 dB(A) (методът за оценка на съответствието е съгласно Приложение VI)
Нотифициран орган : KEMA, Arnhem, NL
Идентификационен номер на нотифицирания орган : 0344
 - Нивото на предадените вибрации е измерено в съответствие със стандартизирания тест, определен в EN 60335; то може да се използва за сравнение на един инструмент с друг и като предварителна оценка на подлагането на вибрации при използването на инструмента за посочените приложения
 - използването на инструмента за различни от тези приложения или с други, или лошо поддържащи аксесоари може значително **да повиши** нивото на което сте подложени
 - периодите от време, когато инструмента е изключен или съответно включен, но с него не се работи в момента могат значително **да намалят** нивото на което сте подложени
- ! предпазвайте се от ефектите от вибрациите, като поддържате инструмента и аксесоарите му, пазите ръцете си топли и организирате вашите модели на работа**

SK

Kosačka

0715

ÚVOD

- Tento nástroj je určený iba na kosenie domáceho trávniku
 - Tento nástroj nie je vhodný pre profesionálne použitie
 - Skontrolujte, či balenie obsahuje všetky súčasti podľa obrázka ②
 - Ak sú niektoré súčasti poškodené, alebo chýbajú, obráťte sa na svojho predajcu
 - Návod na montáž ②
 - poradie čísel zobrazených na nákrese zodpovedá poradiu krokov potrebných pri montáži kosačky
- ! pevne utiahnite všetky skrutky a matice**
- Pred použitím si dôkladne prečítajte tento návod a uchovajte ho pre prípad potreby v budúcnosti ④

TECHNICKÉ ÚDAJE ①

ČASTI NÁSTROJA ③

- A Príchytky sieťového kábla
- B Príchytky na kábel
- C Bezpečnostný spínač
- D Prepínač
- E Zberná nádoba na trávu
- F Indikátor "plnej zbernej nádoby"
- G Bezpečnostná krídlová matica
- H Prepravná rúčka
- J Vetracie štrbiny
- K Zadný ochranný kryt

BEZPEČNOSŤ

VŠEOBECNÉ BEZPEČNOSTNÉ POKYNY

⚠ POZOR! Prečítajte si všetky výstražné upozornenia a bezpečnostné pokyny. Zanedbanie dodržiavania výstražných upozornení a pokynov uvedených v nasledujúcom texte môže mať za následok zásah elektrickým prúdom, spôsobí požiar a/alebo ťažké poranenie. **Tieto výstražné upozornenia a bezpečnostné pokyny starostlivo uschovajte na budúce použitie.** Pojem ručné "elektrické náradie" používaný v nasledujúcom texte sa vzťahuje na ručné elektrické náradie napájané zo siete (s prívodnou šnúrou) a na ručné elektrické náradie napájané akumulátorovou batériou (bez prívodnej šnúry).

1) BEZPEČNOSŤ NA PRACOVISKU

- a) **Udržiavajte svoje pracovisko čisté a upratané.** Neporiadok na pracovisku alebo neosvetlené časti pracoviska môžu viesť k úrazom.
- b) **Nepracujte elektrickým náradím v prostredí ohrozenom výbuchom, v ktorom sa nachádzajú horľavé kvapaliny, plyny alebo prach.** Elektrické náradie produkuje iskry, ktoré môžu prach alebo pary zapáliť.
- c) **Deti a iné osoby udržiavajte počas práce od ručného elektrického náradia v dostatočnej vzdialenosti.** V prípade odpútania Vašej pozornosti by ste mohli stratiť kontrolu nad náradím.

2) ELEKTRICKÁ BEZPEČNOSŤ

- a) **Zástrčka prívodnej šnúry sa musí hodiť do napájacej zásuvky. Zástrčka sa v žiadnom prípade nesmie meniť. Pri uzemnených spotrebičoch nepoužívajte spolu s nimi žiadne adaptéry.** Nezmenená zástrčka a vhodná zásuvka znižujú riziko zásahu elektrickým prúdom.
- b) **Vyhýbajte sa telesnému kontaktu s povrchovými plochami uzemnených spotrebičov, ako sú elektrické rúry, vyhrievacie telesá, sporáky a chladničky.** Keď je Vaše telo uzemnené, riziko zásahu elektrickým prúdom je vyššie.
- c) **Chráňte ručné elektrické náradie pred dažďom a vlhkom.** Vniknutie vody do ručného elektrického náradia zvyšuje riziko zásahu elektrickým prúdom.
- d) **Nepoužívajte prívodnú šnúru na prenášanie náradia, na jeho vešanie, ani za ňu nevyťahujte zástrčku zo zásuvky. Prívodnú šnúru chráňte pred horúčavou, olejom, ostrými hranami alebo**

pohybujúcimi sa časťami náradia. Poškodené alebo zauzlené šnúry zvyšujú riziko zásahu elektrickým prúdom.

- e) **Ak pracujete s ručným elektrickým náradím vonku, používajte len také predĺžovacie šnúry, ktoré sú schválené pre používanie vo vonkajších priestoroch.** Používanie predĺžovacej šnúry určenej do vonkajšieho prostredia znižuje riziko zásahu elektrickým prúdom.
 - f) **Ak sa nedá vyhnúť použitiu ručného elektrického náradia vo vlhkom prostredí, použite prerušovač uzemňovacieho obvodu.** Používanie prerušovača uzemňovacieho obvodu znižuje riziko zásahu elektrickým prúdom.
- #### 3) BEZPEČNOSŤ OSŮB
- a) **Buďte pozorní, dávajte pozor na to, čo robíte a k práci s elektrickým náradím pristupujte rozumne. Nepoužívajte elektrické náradie, keď ste unavení alebo keď ste pod vplyvom drog, alkoholu alebo liekov.** Chvil' a nepozornosti pri používaní náradia môže viesť k vážnym poraniam.
 - b) **Noste osobné ochranné pomôcky, ochranný odev a vždy majte nasadené ochranné okuliare.** Nosenie pracovného odevu a používanie ochranných pomôcok ako ochrannej dýchacej masky, bezpečnostných protišmykových topánok, prilby alebo chrániča sluchu, podľa druhu elektrického náradia, znižuje riziko poranenia.
 - c) **Vyhýbajte sa neúmyselnému uvedeniu ručného elektrického náradia do činnosti. Pred zasunutím zástrčky do zásuvky a/alebo pred pripojením akumulátora, pred chytením alebo prenášaním ručného elektrického náradia sa vždy presvedčte sa, či je ručné elektrické náradie vypnuté.** Ak budete mať pri prenášaní ručného elektrického náradia prst na vypínači, alebo ak ručné elektrické náradie pripojíte na elektrickú sieť zapnutú, môže to mať za následok nehodu.
 - d) **Skôr ako ručné elektrické náradie zapnete, odstráňte nastavovacie a montážne nástroje.** Nástroj alebo kľúč, ktorý sa nachádza v pohyblivej časti náradia, môže spôsobiť poranenie.
 - e) **Nepreceňujte sa. Zabezpečte si pevný postoj a neprestajne udržiavajte rovnováhu.** Takto budete môcť ručné elektrické náradie v neočakávaných situáciách lepšie kontrolovať.
 - f) **Pri práci noste vhodný pracovný odev. Nenoste široké odevy a nemajte na sebe šperky. Dbajte na to, aby ste mali vlasy, odev a rukavice v dostatočnej vzdialenosti od pohyblivých sa častí náradia.** Pohybujúce sa časti náradia by mohli zachytiť voľné oblečenie, šperky alebo dlhé vlasy.
 - g) **Ak možno namontovať zariadenie na odsávanie alebo zachytávanie prachu, presvedčte sa, či je pripojené a správne používané.** Používanie odsávacieho zariadenia a zariadenia na zachytávanie prachu znižuje riziko ohrozenia zdravím prachom.
- #### 4) STAROSTLIVÉ ZAOBCHÁDZANIE S ELEKTRICKÝM NÁRADÍM A JEHO POUŽÍVANIE
- a) **Náradie nepreťažujte. Pre svoju prácu používajte určené elektrické náradie.** Pomocou vhodného ručného elektrického náradia budete môcť v uvedenom

- rozsahu výkonu pracovať lepšie a bezpečnejšie.
- b) **Nepoužívajte žiadne ručné elektrické náradie, ktoré má pokazený vypínač.** Ručné elektrické náradie, ktoré sa už nedá zapínať alebo vypínať, je nebezpečné a treba ho dať opraviť.
 - c) **Skôr ako začnete náradie nastavovať alebo prestavovať, vymieňať príslušenstvo alebo skôr, ako odložíte náradie, vždy vyťahnite zástrčku sieťovej šnúry zo zásuvky.** Toto bezpečnostné opatrenie zabraňuje neúmyselnému spusteniu náradia.
 - d) **Nepoužívané ručné elektrické náradie uschováajte mimo dosahu detí. Nedopusťte, aby ručné elektrické náradie používali osoby, ktoré s ním nie sú dôkladne oboznámené, alebo ktoré si neprečítali tento Návod na používanie.** Ak ručné elektrické náradie používajú neskúsené osoby, stáva sa nebezpečným nástrojom.
 - e) **Elektrické náradie starostlivo ošetrte. Skontrolujte, či pohyblivé súčiastky náradia bezchybne fungujú a neblokujú a či nie sú zlomené alebo poškodené niektoré súčiastky, ktoré by mohli negatívne ovplyvniť fungovanie ručného elektrického náradia. Pred použitím ručného elektrického náradia dajte poškodené súčiastky opraviť.** Nejedyn úraz bol spôsobený zle udržiavaným náradím.
 - f) **Používané nástroje udržiavajte ostré a čisté.** Starostlivo ošetrované nástroje s ostrými reznými hranami sa menej často zablokujú a ich vedenie je podstatne ľahšie.
 - g) **Používajte ručné elektrické náradie, príslušenstvo, pracovné nástroje a pod. podľa týchto pokynov. Zohľadnite pritom konkrétne pracovné podmienky a činnosť, ktorú máte vykonať.** Používanie ručného elektrického náradia na iné ako určené účely môže viesť k nebezpečným situáciám.
- 5) **SERVIS**
- a) **Ručné elektrické náradie zverte do opravy len kvalifikovanému personálu a používajte len originálne náhradné súčiastky.** Tým sa zabezpečí zachovanie bezpečnosti ručného elektrického náradia.

ŠPECIFICKÉ BEZPEČNOSTNÉ POKYNY PRE KOSAČKY NA TRÁVNÍK

VYSVETLENIE SYMBOLOV NA NÁSTROJI

- ④ Pred použitím si prečítajte návod na obsluhu
- ⑤ Dvojité izolácia (nevyžaduje sa uzemňovací kábel)
- ⑥ **Dávajte pozor na riziko poranenia spôsobeného odletujúcim odpadom** (zaisťte, aby boli okolostojace osoby v bezpečnom odstupe od pracovného priestoru)
- ⑦ Pozor na ostré čepele
- ⑧ Sieťový (predlžovací) kábel chráňte pred rotujúcou strihacou čepeľou
- ⑨ Strihacia čepeľ rotuje krátky čas aj po vypnutí prístroja (**nedotýkajte sa rotujúcej čepele**)
- ⑩ Pred čistením/vykonaťím údržby alebo v prípade poškodeného alebo zamotaného (predlžovacieho) sieťového kábla nástroj vypnite a odpojte zástrčku
- ⑪ Nástroj nevyhadzujte do komunálneho odpadu

VŠEOBECNE

- Nekoste mokrý trávnik
- Za nehody alebo vystavenie iných osôb alebo ich majetku nebezpečenstvo je zodpovedný užívateľ
- Kosačku nepoužívajte, ak je poškodený zadný ochranný kryt alebo zberná nádoba na trávu
- Ak kosíte bez zbernej nádoby na trávu, skontrolujte, či je zadný ochranný kryt v zatvorenej polohe (**nebezpečenstvo zranenia rotujúcou strihacou čepeľou**)
- Vždy odpojte zástrčku zo zásuvky
 - keď nechávate nástroj bez dozoru
 - pred odstránením zaseknutého materiálu
 - pred kontrolou, čistením alebo pracovaním na nástroji
 - po zasiahnutí cudzieho predmetu
 - keď nástroj začne neobyvykle vibrovať

ELEKTRICKÁ BEZPEČNOSŤ

- Pravidelne kontrolujte šnúru a ak je poškodená, šnúru musí vymeniť kvalifikovaná osoba
- Pri použití nástroja vo vlhkom prostredí použite zariadenie na ochranu pred zvyškovým prúdom (RCD) so spúšťacím prúdom maximálne 30 mA
- Používajte úplne odmotanú a bezpečnú predlžovaciu šnúru s kapacitou 16 A
- Používajte len predlžovacie sieťové káble typu H05VV-F alebo H05RN-F, ktoré sú určené na vonkajšie použitie a majú vodotesnú spojovaciu zásuvku
- Neprechádzajte cez (predlžovací) sieťový kábel a ani ho nepritláčajte alebo neťahajte
- Chráňte (predlžovací) sieťový kábel pred teplom, olejom a ostrými hranami
- Pravidelne kontrolujte predlžovací sieťový kábel a vymeňte ho, ak je poškodený (**nevhodné predlžovacie sieťové káble môžu byť nebezpečné**)

BEZPEČNOSŤ OSÔB

- Kosačku nepoužívajte naboso ani v otvorených sandáloch; vždy noste pevné topánky a dlhé nohavice
- Oboznámte sa s ovládacími prvkami a správnym použitím nástroja
- Nikdy nekoste v bezprostrednej blízkosti ľudí (hlavne nie detí) a zvierat
- **Ruky a nohy udržiavajte v dostatočnej vzdialenosti od rotujúcich častí kosačky**
- **Nepribližujte sa k vyhadzovaciemu otvoru**
- Motor zapnite podľa pokynov a pri zapínaní stojte v dostatočnej vzdialenosti od strihacej čepele
- **Tento nástroj nie je určený na použitie osobami (vrátane detí), ktoré majú znížené fyzické, zmyslové alebo mentálne schopnosti, alebo majú nedostatok skúseností a vedomostí, pokiaľ nad nimi nie je dozor alebo im neboli poskytnuté pokyny zahŕňajúce použitie tohto nástroja osobou, ktorá je zodpovedná za ich bezpečnosť** (vek používateľ a môže byť obmedzený miestnymi predpismi)
- Uistite sa, že sa deti s nástrojom nehrajú
- Kosačku používajte len rýchlosťou bežnej chôdze (nebežte s ňou)
- Na svahu si dávajte pozor na pevnosť terénu a nikdy nekoste extrémne strmé svahy
- Pri posúvaní kosačky dozadu alebo ťahaní smerom k sebe buďte extrémne opatrní

PRED POUŽITÍM

- Skontrolujte či je nástroj v poriadku pred každým použitím; ak má nástroj poruchu, nikdy ho neotvorte sám, ale ho dajte ihneď opraviť kvalifikovanej osobe

- Dôkladne skontrolujte priestor, v ktorom sa bude kosačka používať a odstráňte z neho všetky tvrdé predmety, ktoré by kosačka mohla zachytiť a vymrštiť zo strihacieho mechanizmu
- Vždy sa presvedčíte, či strihací mechanizmus riadne funguje (vymeňte opotrebované alebo poškodené súčasti)
- Všetky matice a skrutky musia byť riadne utiahnuté, aby bola kosačka plne funkčná a bezpečná

POČAS PRÁCE

- Koste len pri dostatočnom slnečnom alebo umelom osvetlení
- Kosačku pri štartovaní alebo zapínaní motora nenakláňajte, okrem prípadu, ak kosačku musíte nakloniť kvôli štartovaniu vo vysokej trávě (v tomto prípade kosačku nenakláňajte viac, než je nevyhnutné, a nakloňte tú časť, ktorá je ďalej od používateľa); pred umiestnením kosačky na zem vždy skontrolujte, či máte ruky v pracovnej polohe
- Ak kosačku nakláňate pri prenášaní mimo trávnik alebo pri jej doprave z trávnik alebo na trávnik, skontrolujte, či sa strihacia čepeľ úplne zastavila
- Ak kosíte na svahu, postupujte šikmo (nikdy nie hore a dole)
- Pri zmene smeru kosenia na svahu buďte veľmi opatrný
- Ak beží motor, kosačku nezdvíhajte ani neprenášajte
- Vždy vypnite nástroj a odpojte zástrčku zo zásuvky, ak je napájací sieťový kábel alebo predlžovací sieťový kábel prerezaný, poškodený alebo zamotaný (**nedotýkajte sa sieťového kábla pred odpojením zástrčky**)
- Nikdy nepoužívajte nástroj ak je šnúra poškodená; šnúru musí vymeniť kvalifikovaná osoba

POUŽITIE

- Príchytká sieťového kábla ⑫
 - zaveste slučku na predlžovacom sieťovom kábli na príchytku A podľa obrázka
 - pevne zatiahnite predlžovací sieťový kábel tak, aby bol zaistený
- Nastavenie výšky kosenia (28-48-68 mm) ⑬
 - ! **odpojte nástroj zo sieťového napájania**
 - otočte kosačku naopak
 - prednú aj zadnú os kolies umiestnite do požadovanej výšky kosenia (28, 48 alebo 68 mm)
 - ! **skontrolujte, či sú všetky štyri kolesá umiestnené v rovnakej výške kosenia**
- Bezpečnostný spínač zapnutie/vypnutie ⑭
 - Zabraňuje náhodnému zapnutiu nástroja
 - ak chcete náradie zapnúť, stlačte najskôr bezpečnostný vypínač C a potom potiahnite prepínač D
 - vypnete náradie uvoľnením prepínača D
 - ! **čepeľ ešte niekoľko sekúnd rotuje aj po vypnutí nástroja**
- Návod na používanie
 - držte kosačku oboma rukami
 - presuňte kosačku na okraj trávnik a koste smerom dopredu
 - na konci každej otáčky sa vráťte a ešte raz pokoste kúsok predchádzajúceho pokoseného pásu
 - kosačku používajte len na kosenie suchej trávy
 - vyhýbajte sa s kosačkou tvrdým predmetom a rastlinám

- pri kosení vysokej trávy najprv nastavte strihací mechanizmus na maximálnu výšku strihania, až následne nastavte malú výšku strihania
- ! **pri kosení vysokej trávy upravte rýchlosť chôdze**
- Indikátor "plnej zbernej nádoby" ⑮
 - zbernú nádobu E vyprázdňte hneď, ako klapka F sama klesne, čo znamená, že zberná nádoba je plná
 - aby sa dosiahol optimálny zber trávy, otvory pod klapkou F pravidelne čistite kefou
- Uskladnenie ⑯
 - ak chcete ušetriť značný priestor, zložte rukoväť kosačky (pomocou krídlovej matice G) a kosačku uskladnite podľa obrázka; **najprv vyprázdňte zbernú nádobu na trávu**
 - ! **pri skladaní/rozkladaní rukoväte kosačky skontrolujte, či (predlžovací) kábel nie je niekde zachytený (nepustite rukoväť)**
 - pri skladovaní kosačky na ňu neukladajte iné predmety
 - kosačku vždy odložte na suché miesto v interiéri

ÚDRŽBA / SERVIS

- Tento nástroj nie je vhodný pre profesionálne použitie
- Nástroj a sieťovú šnúru udržiajte stále čistou (zvlášť vetracie štrbiny J ③)
- Po každom použití kosačku očistite kefou a mäkkou utierkou
 - ! **nepoužívajte vodu (a hlavne nie vysokotlakové spreje)**
 - z oblasti čepele pomocou dreveného alebo plastového nástroja odstráňte nahromadené kusy nakosenej trávy
- Pravidelne kontrolujte, či zberná nádoba na trávu nie je opotrebovaná alebo poškodená
- Pravidelne kontrolujte, či čepele alebo skrutky nie sú opotrebované alebo poškodené; vymieňajte ich všetky naraz, zachovajte tak rovnomernosť chodu
- Výmena strihacej čepele ⑰
 - ! **zástrčku odpojte od siete a odstráňte zbernú nádobu na trávu E ③**
 - ! **používajte ochranné rukavice**
 - otočte kosačku naopak
 - strihaciu čepeľ odmontujte/namontujte pomocou maticového kľúča 13 podľa obrázka
 - ! **používajte iba náhradné rezacie čepele správneho typu (číslo náhradného dielu SKIL 2610Z04069, označenie YAT 474 552)**
 - pred montážou strihacej čepele dôkladne očistite oblasť hriadeľa a spodnú stranu kosačky
 - ! **pri montáži strihacej čepele skontrolujte, či dva výstupky Y presne zapadli do otvorov X**
- Ak by nástroj napriek starostlivej výrobe a kontrole predsa len prestal niekedy fungovať, treba dať opravu vykonať autorizovanej servisnej opravovni elektrického náradia SKIL
 - pošlite nástroj **bez rozmontovania** spolu s dôkazom o kúpe; vášmu dilerovi alebo do najbližšieho servisného strediska SKIL (zoznam adries servisných stredísk a servisný diagram nástroja sú uvedené na www.skil.com)


RIEŠENIE PROBLÉMOV

- Nasledujúci zoznam obsahuje príznaky problémov, možné príčiny a opravné postupy (ak pomocou nich nie je možné problém určiť a odstrániť, obráťte sa na svojho predajcu alebo servisné stredisko)

! pred skúmaním problému vypnite nástroj a odpojte zástrčku

- ★ Nástroj nefunguje
 - nefunguje napájanie -> skontrolujte napájanie (silový kábel, stýkačové ističe, poistky)
 - chybná napájacia zásuvka -> použite inú zásuvku
 - poškodený predlžovací sieťový kábel -> vymeňte predlžovací sieťový kábel
 - tráva je príliš vysoká -> zväčšite výšku kosenia a nakloňte kosačku
- ★ Nástroj pracuje prerušovane
 - poškodený predlžovací sieťový kábel -> vymeňte predlžovací sieťový kábel
 - chybné vnútorné spoje -> obráťte sa na predajcu/ servisné stredisko
- ★ Kosačka kosí nerovnomerne alebo motor sa namáha
 - príliš nízka výška kosenia -> zväčšite výšku kosenia
 - čepeľ je tupá -> vymeňte čepeľ
 - spodná časť kosačky je veľmi zanesená -> vyčistite kosačku
 - nerovnomerná výška kosenia -> nastavte 4 kolesá na rovnakú výšku kosenia
- ★ Čepeľ nerotuje
 - čepeľ má v ceste prekážku -> odstráňte prekážku
 - matica/skrutka čepele sú povolené -> maticu/skrutku dotiahnite
- ★ Nástroj neobvykle vibruje
 - strihacia čepeľ je poškodená -> vymeňte strihaciu čepeľ
 - matica/skrutka čepele sú povolené -> maticu/skrutku dotiahnite

ZIVOTNÉ PROSTREDIE

- Elektrické náradie, príslušenstvo a balenia **nevhadzujte do komunálneho odpadu** (len pre štáty EÚ)
 - podľa európskej smernice 2002/96/EG o nakladaní s použitými elektrickými a elektronickými zariadeniami a zodpovedajúcich ustanovení právnych predpisov jednotlivých krajín sa použité elektrické náradie musí zbierať oddelene od ostatného odpadu a podrobiť ekologicky šetrnej recyklácii
 - pripomenie vám to symbol , keď ju bude treba likvidovať

VYHLÁSENIE O ZHODE CE

- Na vlastnú zodpovednosť vyhlasujeme, že dole popísaný výrobok "Technické údaje" sa zhoduje s nasledujúcimi normami alebo normatívnymi dokumentami: EN 60335, EN 61000, EN 55014 podľa ustanovení smerníc 2006/95/EG, 2004/108/EG, 2006/42/EG, 2000/14/EG, 2011/65/EU
- **Súbor technickej dokumentácie sa nachádzajú na adrese:** SKIL Europe BV (PT-SEU/ENG1), 4825 BD Breda, NL

Marijn van der Hoofden
Operations & Engineering

Olaf Dijkgraaf
Approvals Manager



SKIL Europe BV, 4825 BD Breda, NL

25.07.2013

HLUKU/VIBRÁCIÁCH

- Merané podľa EN 60335 je úroveň akustického tlaku tohto nástroja 73 dB(A) a úroveň akustického výkonu je 93 dB(A) (štandardná odchýlka: 1,5 dB), a vibrácie sú 2,5 m/s² (metóda ruka - paža; nepresnosť K = 1,5 m/s²)
 - Garantovaná hladina akustického výkonu LWa, nameraná v súlade s normou 2000/14/EC (EN/ISO 3744) je nižšia ako 94 dB(A) (spôsob hodnotenia konformity podľa prílohy VI)
 - Oboznamený orgán: KEMA, Arnhem, NL
Identifikačné číslo oboznameného orgánu: 0344
 - Hladina emisií od vibrácií bola nameraná v súlade s normalizovaným testom uvedeným v norme EN 60335; môže sa používať na vzájomné porovnanie náradí a na predbežné posúdenie vystavenia účinkom vibrácií pri používaní náradia pre uvedené aplikácie
 - používanie náradia na rôzne aplikácie, alebo v spojení s rôznymi alebo nedostatočne udržiavanými doplnkami môže značne **zvýšiť** úroveň vystavenia
 - časové doby počas ktorých je je náradie vypnuté alebo počas ktorých náradie beží ale v skutočnosti nevykonáva prácu môžu značne **znižit** úroveň vystavenia
- ! chráňte sa pred účinkami vibrácií tak, že budete náradie a jeho príslušenstvo správne udržiavať, tak že nebudete pracovať so studenými rukami a tak že si svoje pracovné postupy správne zorganizujete**

HR

Kosilica za travu

0715

UVOD

- Ovak uređaj namijenjen je samo košnji trave na kućnim travnjacima
- Ovak uređaj nije namijenjen profesionalnoj upotrebi
- Proverite sadrži li paket sve dijelove prema natrću ②
- Ako vam dijelovi nedostaju ili su oštećeni, obratite se svom dobavljaču
- Upute za sklapanje ②
 - redosljed brojeva na nacrtu odgovara redosljedju koraka za sklapanje kosilice
- **! čvrsto pritegnite sve vijke i matice**
- Prije uporabe pažljivo pročítajte ovaj priručnik s uputama i spremite ga za kasniju uporabu ④

TEHNIČKI PODACI ①

DIJELOVI ALATA ③

- A Držać kabela
- B Kopča kabela
- C Sigurnosni prekidač
- D Prekidač
- E Kutija za travu
- F Pokazivač "Kutija za travu"
- G Sigurnosna križna matica
- H Rukohvat za nošenje
- J Otvori za strujanje zraka
- K Stražnja zaštita

CE12

SIGURNOST

OPĆE UPUTE ZA SIGURAN RAD

PAŽNJA! Treba pročitati sve napomene o sigurnosti i upute. Ako se ne bi poštivale napomene o sigurnosti i upute to bi moglo uzrokovati strujni udar, požar i/ili teške ozljede. **Sačuvajte sve napomene o sigurnosti i upute za buduću primjenu.** U daljnjem tekstu korišten pojam "električni alat" odnosi se na električne alate s priključkom na električnu mrežu (s mrežnim kabelom) i na električne alate s napajanjem iz aku baterije (bez mrežnog kabela).

1) SIGURNOST NA RADNOM MJESTU

- Vaše radno područje održavajte čisto i uredno.** Nered ili neosvijetljeno radno područje mogu doći do nezgoda.
- S uređajem ne radite u okolini ugroženoj eksplozijom, u kojoj se nalaze zapaljive tekućine, plinovi ili prašina.** Električni alati proizvode iskre koje mogu zapaliti prašinu ili pare.
- Djecu i ostale osobe držite dalje tijekom korištenja električnog alata.** Ako bi skrenuli pozornost sa posla mogli bi izgubiti kontrolu nad uređajem.

2) ELEKTRIČNA SIGURNOST

- Priključni utikač uređaja treba odgovarati utičnici.** Na utikač se ni u kojem slučaju ne smiju izvoditi izmjene. **Ne koristite adapterske utikače zajedno sa uređajima koji su zaštićeni uzemljenjem.** Originalni utikač i odgovarajuće utičnice smanjuju opasnost od električnog udara.
- Izbjegavajte dodir tijela s uzemljenim površinama kao što su cijevi, centralno grijanje, štednjaci i hladnjaci.** Postoji povećana opasnost od električnog udara ako je vaše tijelo uzemljeno.
- Držite uređaj dalje od kiše ili vlage.** Prodiranje vode u električni uređaj povećava opasnost od električnog udara.
- Priključni kabel ne koristite za nošenje, vješanje ili za izvlačenje utikača iz utičnice.** Držite kabel dalje od izvora topline, ulja, oštih rubova ili pomičnih dijelova uređaja. Oštećen ili usukan kabel povećava opasnost od električnog udara.
- Ako s električnim uređajem radite na otvorenom, koristite samo produžni kabel odobren za uporabu na otvorenom.** Primjena produžnog kabela prikladnog za uporabu na otvorenom smanjuje opasnost od električnog udara.
- Ako se ne može izbjeći uporaba električnog alata u vlažnoj okolini, upotrijebite sigurnosna sklopka za propuštanje u zemlju.** Upotrebom sigurnosne sklopke za propuštanje u zemlju smanjuje se opasnost od električnog udara.

3) SIGURNOST LJUDI

- Budite oprezni, pazite što činite i postupajte razumno kod rada s električnim alatom.** Ne koristite uređaj ako ste umorni ili pod utjecajem opojnih sredstava, alkohola ili lijekova. Trenutak nepažnje kod uporabe uređaja može doći do ozbiljnih ozljeda.
- Nosite sredstva osobne zaštite i uvijek zaštitne naočale.** Nošenje sredstava osobne zaštite, kao što je zaštitna maska, sigurnosne cipele koje ne klize, zaštitne

kacige ili štitnika za sluh, ovisno od vrste i primjene električnog alata, smanjuje opasnost od nezgoda.

- Izbjegavajte nehotično puštanje u rad. Prije nego što ćete utaknuti utikač u utičnicu i/ili staviti aku-bateriju, provjerite je li električni alat isključen.** Ako kod nošenja električnog alata imate prst na prekidaču ili se uključen uređaj priključi na električno napajanje, to može dovesti do nezgoda.
 - Prije nego što uređaj uključite, uklonite alate za podešavanje ili vijčane ključeve.** Alat ili ključ koji se nalazi u rotirajućem dijelu uređaja može doći do nezgoda.
 - Ne precjenjujte svoje sposobnosti. Zauzmite siguran i stabilan položaj tijela i držite u svakom trenutku ravnotežu.** Na taj način možete udariti bolje kontrolirati u neočekivanim situacijama.
 - Nosite prikladnu odjeću. Ne nosite široku odjeću ili nakit.** Neka vaša kosa, odjeća i rukavice budu što dalje od pomičnih dijelova. Mlohavu odjeću, nakit ili dugu kosu mogu zahvatiti pomični dijelovi uređaja.
 - Ako se mogu montirati naprave za usisavanje i hvatanje prašine, provjerite da li su iste priključene i da li se pravilno koriste.** Primjena naprave za usisavanje može smanjiti ugroženost od prašine.
- ### 4) BRIŽLJIVA UPORABA ELEKTRIČNIH ALATA
- Ne preopterećujte uređaj. Koristite za vaše radove za to predviđen električni alat.** S odgovarajućim električnim alatom radit ćete bolje i sigurnije, u navedenom području učinka.
 - Ne koristite električni alat čiji je prekidač neispravan.** Električni alat koji se više ne može uključiti ili isključiti, opasan je i treba se popraviti.
 - Izvućite utikač iz mrežne utičnice i/ili izvadite aku-bateriju prije podešavanja uređaja, zamjene pribora ili odlaganja uređaja.** Ovim mjerama opreza spriječit će se nehotično pokretanje uređaja.
 - Nekoristene električne alate spremite izvan dosega djece. Ne dopustite da uređaj koriste osobe koje s njim nisu upoznate ili koje nisu pročitale upute za uporabu.** Električni alati su opasni ako ih koriste neiskusne osobe.
 - Uređaj održavajte s pažnjom. Kontrolirajte da li pomični dijelovi uređaja besprijekorno rade i da nisu zaglavljivi, te da li su dijelovi polomljeni ili tako oštećeni da negativno djeluju na funkciju uređaja. Popravite oštećene dijelove prije uporabe uređaja.** Mnoge nezgode imaju svoj uzrok u loše održavanim uređajima.
 - Rezne alate održavajte oštrim i čistim.** Pažljivo održavani rezni alati s oštrim oštricama neće se zaglaviti i lakši su za vođenje.
 - Koristite električne alate, pribor, radne alate, itd., prema navedenim uputama. Pri tome uzmite u obzir radne uvjete i radove koje se izvode.** Uporaba električnih alata za neke druge primjene različite od predviđenih, može doći do opasnih situacija.
- ### 5) SERVIS
- Popravak uređaja prepustite samo kvalificiranom stručnom osoblju i samo s originalnim rezervnim dijelovima.** Na taj će se način postići održanje stalne sigurnosti uređaja.

POSEBNE SIGURNOSNE UPUTE ZA OSOBE KOJE UPRAVLJAJU KOSILICOM ZA TRAVU

POJAŠNJENJE SIMBOLA NA UREĐAJU

- ④ Prije upotrebe pročitajte korisnički priručnik
- ⑤ Dvostruka izolacija (dozerna žica nije potrebna)
- ⑥ **Pazite na opasnost od ozljeda koje izaziva leteći otpadni materijal** (sve osobe moraju biti na sigurnoj udaljenosti od područja rada)
- ⑦ Pazite na oštrice
- ⑧ Držite (produžni) kabel podalje od okretnih reznih oštrica
- ⑨ Rezna oštrica nastavlja se okretati još neko vrijeme nakon isključivanja uređaja (**nemojte je dodirivati**)
- ⑩ Isključite i iskopčajte utikač prije čišćenja/održavanja ili ako je (produžni) kabel oštećen ili zapetljan
- ⑪ Uređaj ne bacajte u kućni otpad

OPĆENITO

- Nemojte rukovati kosilicom po mokrim travnjacima
- Korisnik je odgovoran za nezgode i opasnosti prouzročene osobama ili njihovoj imovini
- Nikada nemojte rukovati uređajem ako su oštećene stražnja zaštitna ili kutija za travu
- Kada rukujete uređajem bez kutije za travu, stražnja zaštita mora biti u zatvorenom položaju (**opasnost ozljede izazvane okretnom reznom oštricom**)
- Uvijek isključite utikač iz izvora napajanja
 - ako ostavljate uređaj bez nadzora
 - prije čišćenja zaglavljenog materijala
 - prije provjere, čišćenja ili rada na uređaju
 - nakon udara u strano tijelo
 - uvijek kada uređaj počne nenormalno vibrirati

ELEKTRIČNA SIGURNOST

- Kabel redovito kontrolirati u slučaju oštećenja zatražiti zamjenu od kvalificiranog električara
- Pri radu u vlažnom okruženju upotrijebite uređaj za zaštitu od strujnog udara (RCD) sa strujom okidanja od maksimalno 30 mA
- Upotrebjavajte samo neodmotane i zaštićene produžne kabele kapaciteta 16 ampera
- Koristite samo produžne kabele tipa H05VV-F ili H05RN-F, predviđene za primjenu na otvorenom i s priključnim mjestom zaštićenim od prskanja
- Nemojte prelaziti, stiskati ili povlačiti (produžni) kabel
- Zaštite kabel od topline, ulja i oštrih rubova
- Povremeno pregledajte produžni kabel i zamijenite ga ako je oštećen (**neodgovarajući produžni kabeli mogu biti opasni**)

SIGURNOST LJUDI

- Nemojte rukovati uređajem bosim ili u otvorenim sandalama; uvijek nosite čvrste cipele i duge hlače
- Upoznajte se s kontrolama i ispravnim korištenjem uređaja
- Nikada nemojte kositi u blizini osoba (posebno djece) i životinja
- **Uvijek držite šake i stopala podalje od okretnih dijelova**
- **Uvijek se držite podalje od otvora za izbacivanje**
- Motor uključujte samo u skladu s uputama i sa stopalima na odgovarajućoj udaljenosti od rezne oštrice
- **Nije predviđeno da se ovim alatom koriste osobe (uključujući i djecu) sa smanjenim fizičkim,**

osjetljivim ili mentalnim sposobnostima, neiskusne i neobučene osobe, osim ako se nalaze pod nadzorom osobe koja odgovara za njihovu sigurnost ili su od nje dobile upute o načinu korištenja alata (dob rukovatelja ovisi o lokalnim propisima)

- Pobrinite se da se djeca ne igraju ovim alatom
- Kosilicom rukujte uobičajenom brzinom hodanja (nemojte trčati)
- Pazite da kosilica na nagibima bude dobro oslonjena i nemojte kositi na jako strmim nagibima
- Budite iznimno pažljivi pri kretanju prema natrag ili povlačenju kosilice prema sebi

PRIJE UPORABE

- Prije svake uporabe provjeriti funkciju uređaja i u slučaju neispravnosti odmah ga poslati na popravak u ovlašteni servis; uređaj nikada sami ne otvarajte
- Dobro pregledajte područje na kojem ćete koristiti kosilicu i uklonite sve tvrde predmete koje bi ona mogla zahvatiti i izbaciti reznim mehanizmom
- Rezni mehanizam uvijek mora biti u dobrom stanju (zamijenite istrošene ili oštećene dijelove)
- Privijte sve matice, vijke, i zavrtne kako biste osigurali sigurno radno stanje kosilice

TIJEKOM UPORABE

- Kosite samo uz zadovoljavajuće dnevno svjetlo ili uz odgovarajuću umjetnu rasvjetu
- Nemojte naginjati uređaj pri pokretanju ili uključivanju motora, osim ga ne morate nagnuti zbog pokretanja u dubokoj travi (u tom slučaju nemojte ga naginjati više od onoga što je apsolutno potrebno i nagnite ga u smjeru od rukovatelja); prije vraćanja uređaja na tlo uvijek pazite da obje ruke budu u radnom položaju
- Rezna oštrica mora biti potpuno mirna pri naginjanju radi prelaska preko površina bez trave i pri transportu na mjesto košnje ili s njega
- Kosite popreko na nagibe (nikada gore-dolje)
- Budite iznimno pažljivi pri promjeni smjera na nagibima
- Nikada nemojte podizati ili nositi kosilicu dok motor radi
- Uvijek isključite alat i izvucite utikač iz izvora napajanja ako je kabel za napajanje ili produžni kabel prerezan, oštećen ili zapetljan (**ne dodirujte kabel prije isključivanja utikača**)
- Nikad ne upotrebjavajte alat kad su kabel oštećeni; neka iz zamijeni kvalificirana osoba

POSLUŽIVANJE

- Držač kabela ⑫
 - omotajte kabel u petlju oko držača A kako je prikazano na slici
 - dobro povucite kako biste osigurali produžni kabel
- Namještanje visine rezanja (28-48-68 mm) ⑬
 - ! **isključite utikač iz izvora napajanja i provjerite je li se rezna oštrica prestala okretati**
 - okrenite kosilicu naopako
 - postavite osovinu prednjih kotača i osovinu stražnjih kotača na željenu visinu rezanja (28, 48 ili 68 mm)
 - ! **sva četiri kotača moraju biti fiksirana u reznom položaju na istoj visini**
- Sigurnosna prekidač uključeno/isključeno ⑭
 - Sprječava nehatično uključivanje uređaja
 - alat uključite pritiskom na sigurnosni prekidač C, a zatim povucite prekidač D
 - isključite uređaj otpuštanjem prekidača D

! nakon isključivanja uređaja oštrica se kreće još nekoliko sekundi

- Upute za korištenje
 - držite kosilicu objema rukama
 - postavite kosilicu na rub travnjaka i kosite prema naprijed
 - na kraju reda okrenite kosilicu tako da se sljedeći prolaz malo preklapa s prethodnim
 - kosilicom koristite samo na suhoj travi
 - kosilicom ne smijete prelaziti preko tvrdih predmeta i biljaka
 - pri košnji duge trave najprije podesite rezni mehanizam na maksimalnu visinu rezanja, a zatim na manju

! pri radu u visokoj travi prilagodite brzinu hodanja

- Pokazivač "Kutija za travu" (15)
 - ispraznite kutiju za travu E čim preklap F sam padne, što znači da je kutija za travu puna
 - za optimalno sakupljanje trave redovito čistite otvore ispod preklapa F ručnom četkom
- Odlaganje (16)
 - da biste znatno uštedjeli na prostoru za odlaganje, preklopite ručicu (pomoću krične matice G) i odložite uređaj kako je prikazano na slici; **s praznom kutijom za travu prema naprijed**

! pazite da ne zahvatite (produžni) kabel pri preklapanju/rasklapanju ručice uređaja (pazite da vam ručica ne padne)

- kada je kosilica uskladištena, nemojte na nju stavljati druge predmete
- kosilicu čuvajte na suhom mjestu

ODRŽAVANJE / SERVISIRANJE

- Ovaj uređaj nije namijenjen profesionalnoj upotrebi
- Održavajte čistim uređaj i kabel (osobito otvore za hlađenje J (3))
- Nakon svake upotrebe očistite kosilicu ručnom četkom i mekom krpom

! nemojte koristiti vodu (posebno ne sprejeve pod tlakom)

- sabijene otkose trave uklonite s noževa drvenim ili plastičnim alatom
- Redovito provjeravajte ima li na kutiji za travu znakova istrošenosti ili oštećenja
- Redovito provjeravajte istrošene ili oštećene oštrice i vijke i uvijek ih mijenjajte u kompletu kako biste osigurali uravnotežen rad
- Zamjena rezne oštrice (17)

! isključite utikač iz izvora napajanja i skinite kutiju za travu E (3)

! nositi zaštitne rukavice

- okrenite kosilicu naopako
- skinite/montirajte reznu oštricu pomoću ključa, prema prikazu na slici

! koristite samo zamjenske noževe odgovarajućeg tipa (broj SKIL rezervnog dijela 2610Z04069, s oznakom YAT 474 552)

- prije montaže rezne oštrice dobro očistite područje oko osovine i ispod uređaja

! tijekom montaže rezne oštrice dva otvora X moraju savršeno odgovarati u dva zatika Y

- Ako bi uređaj unatoč brižljivih postupaka izrade i ispitivanja ipak prestao raditi, popravak treba prepustiti ovlaštenom servisu za SKIL električne alate
 - uređaj treba **nerastavljeno** predati, zajedno s računom o kupnji u najbližu SKIL ugovornu servisnu radionicu (popise servisa, kao i oznake rezervnih dijelova uređaja možete naći na adresi www.skil.com)

RJEŠAVANJE PROBLEMA

- Na sljedećem popisu prikazani su simptomi problema, mogući uzroci i korektivne mjere (ako na taj način ne otklonite problem, obratite se dobavljaču ili servisu)
 - ! isključite uređaj i izvucite utikač prije pokušaja otkrivanja uzroka problema**
- ★ Uređaj ne radi
 - nema napajanja -> provjerite napajanje (kabel za napajanje, prekidače, osigurače)
 - kvar mrežne utičnice -> pokušajte priključiti uređaj u neku drugu utičnicu
 - oštećen produžni kabel -> zamijenite produžni kabel
 - trava je previsoka -> povećajte visinu rezanja i nagnite uređaj
- ★ Uređaj radi isprekidano
 - oštećen produžni kabel -> zamijenite produžni kabel
 - kvar unutarnjeg ožičenja -> obratite se dobavljaču/servisu
- ★ Uređaj grubo reže ili motor teško radi
 - visina rezanja je preniska -> povećajte visinu rezanja
 - rezna oštrica je tupa -> zamijenite reznu oštricu
 - uređaj je začepljen s donje strane -> očistite uređaj
 - visina rezanja nije ujednačena -> postavite 4 kotača na istu visinu rezanja
- ★ Rezna oštrica se ne okreće
 - rezna oštrica nalijeće na prepreku -> uklonite prepreku
 - matica/vijak oštrice su labavi -> pritegnite maticu/vijak oštrice
- ★ Uređaj nenormalno vibrira
 - rezna oštrica je oštećena -> zamijenite reznu oštricu
 - matica/vijak oštrice su labavi -> pritegnite maticu/vijak oštrice

ZAŠTITA OKOLIŠA

- **Električne alate, pribor i ambalažu ne bacajte u kućni otpad** (samo za EU-države)
 - prema Europskoj direktivi 2002/96/EG o staroj električnoj i elektroničkoj opremi i njenoj primjeni u skladu sa nacionalnim zakonom, istrošeni električni alati moraju se sakupljati odvojeno i odvesti u posebne pogone za reciklažu
 - na to podsjeca simbol (11) kada se javi potreba za odlaganjem

CE DEKLARACIJA O SUKLADNOSTI

- Izjavljujemo uz punu odgovornost da je ovaj proizvod opisan u "Tehnički podaci" usklađen sa sljedećim normama ili normativnim dokumentima: EN 60335, EN 61000, EN 55014 prema odredbama smjernica 2006/95/EG, 2004/108/EG, 2006/42/EG, 2000/14/EG, 2011/65/EU

- **Tehnička dokumentacija se može dobiti kod:** SKIL Europe BV (PT-SEU/ENG1), 4825 BD Breda, NL

Marijn van der Hoofden Olaf Dijkgraaf
Operations & Engineering Approvals Manager




SKIL Europe BV, 4825 BD Breda, NL

25.07.2013

CE12

BUCI/VIBRACIJAMA

- Mjereno prema EN 60335 prag zvučnog tlaka ovog električnog alata iznosi 73 dB(A) a jakost zvuka 93 dB(A) (standardna devijacija: 1,5 dB), a vibracija 2,5 m/s² (postupkom na šaci-ruci; nesigurnost K = 1,5 m/s²)
 - Pri mjerenju izvedenom u skladu s 2000/14/EC (EN/ISO 3744) zajamčena razina buke LWA manja je od 94 dB(A) (postupak vrednovanja usklađenosti prema Dodatku VI)
Obaviješteno tijelo: KEMA, Arnhem, NL
Identifikacijski broj obaviještenog tijela: 0344
 - Razina emitiranja vibracija izmjerena je sukladno normiranom testu danom u EN 60335; ona se može koristiti za usporedbu jedne alatke s drugom, te preliminarnu procjenu izloženosti vibracijama pri uporabi alatke za navedene namjene
 - uporaba ove alatke za druge namjene ili s drugim ili slabo održavanim nastavcima, može u značajnoj mjeri **uvećati** razinu izloženosti
 - vrijeme tokom kojega je alatka isključena, ili je uključena ali se njome ne radi, može značajno **umanjiti** razinu izloženosti
- ! zaštitite se od posljedica vibracija održavanjem alatke i njezinih nastavaka, održavanjem Vaših ruku toplima, te organiziranjem Vaših obrazaca rada**

SRB

Kosilica

0715

UPUTSTVO

- Ovaj alat je namenjen samo za košenje trave u domaćinstvu
 - Ovaj alat nije namenjen za profesionalnu upotrebu
 - Proverite da li ambalaža sadrži sve delove prikazane na šemi ②
 - U slučaju da delovi nedostaju ili su oštećeni, molimo kontaktirajte svog prodavca
 - Uputstvo za sastavljanje ②
 - redosled brojeva prikazanih na crtežu odgovara redosledu koraka kojih se valja pridržavati prilikom sklapanja kosilice
- ! jako zategnite sve matice i vijke**
- Pažljivo pročitajte ovo uputstvo za upotrebu i sačuvajte ga za kasnije potrebe ④

TEHNIČKI PODACI ①

ELEMENTI ALATA ③

- A Regulator zategnutosti kabla
- B Stega za kabl
- C Sigurnosni prekidač
- D Prekidač
- E Kutija za travu
- F Indikator za "Puna kutija za travu"
- G Zavrtnj sa krilcima za učvršćivanje
- H Ručka za prenošenje
- J Prorezi za hlađenje
- K Zadnji štitić

SIGURNOST

OPŠTA UPUTSTVA O SIGURNOSTI

⚠ PAŽNJA! Čitajte sva upozorenja i uputstva. Propusti kod pridržavanja upozorenja i uputstava mogu imati za posledicu električni udar, požar i/ili teške povrede. **Čuvajte sva upozorenja i uputstva za budućnost.** Pojam upotrebljen u upozorenjima "električni alat" odnosi se na električne alate sa radom na mreži (sa mrežnim kablom) i na električne alate sa radom na akumulator (bez mrežnog kabla).

1) SIGURNOST NA RADNOM MESTU

- a) **Držite Vaše područje rada čisto i pospremljeno.** Nered ili neosvetljena radna područja mogu voditi nesrećama.
- b) **Ne radite sa aparatom u okolini ugroženoj od eksplozija u kojoj se nalaze zapaljive tečnosti, gasovi ili prašine.** Električni alati proizvode varnice, koje mogu zapaliti prašinu ili isparenja.
- c) **Za vreme korišćenja električnog alata držite podalje decu i druge osobe.** Kod skretanja možete izgubiti kontrolu nad aparatom.

2) ELEKTRIČNA SIGURNOST

- a) **Utikač za priključak aparata mora odgovarati utičnoj kutijici. Utikač se nesme nikako menjati. Ne upotrebljavajte adaptere utikača zajedno sa aparatima sa uzemljenom zaštitom.** Ne promenjeni utikači i odgovarajuće utičnice smanjuju rizik od električnog udara.
- b) **Izbegavajte telesni kontakt sa uzemljenim gornjim površinama, kao što su cevi, grejanja, šporeti i rashladni ormani.** Postoji povećani rizik od električnog udara, ako je Vaše telo uzemljeno.
- c) **Držite aparat podalje od kiše ili vlage.** Prodiranje vode u električni aparat povećava rizik od električnog udara.
- d) **Ne koristite kabl da bi aparat nosili, obesili ili ga izvlačili iz utičnice. Držite kabl dalje od vreline, ulja, oštih ivica ili pokretnih delova aparata.** Oštećeni ili zamršeni kablovi povećavaju rizik od elektrinog udara.
- e) **Ako sa nekim električnim alatom radite u prirodi, upotrebljavajte samo produžne kablove koji su dozvoljeni za spoljno područje.** Upotreba produžnog kabla pogodnog za spoljno područje smanjuje rizik od električnog udara.
- f) **Ako rad električnog alata ne može da se izbegne u vlažnoj okolini, koristite prekidač strujne zaštite pri kvaru.** Upotreba prekidača strujne zaštite pri kvaru smanjuje rizik od električnog udara.

3) SIGURNOST OSOBA

- a) **Budite pažljivi, pazite na to, šta radite i idite razumno na posao sa električnim alatom. Ne upotrebljavajte aparat, kada ste umorni ili pod uticajem droga, alkohola ili lekova.** Momenat nepažnje kod upotrebe aparata može voditi do ozbiljnih povreda.
 - b) **Nosite ličnu zaštitnu opremu i uvek zaštitne naočare.** Nošenje lične zaštitne opreme, kao maske za prašinu, sigurnosne cipele koje ne klizaju, zaštitni šlem ili zaštitu za sluh, zavisno od vrste i upotrebe električnog alata, smanjujete rizik od povreda.
 - c) **Izbegavajte nenamerno puštanje u rad. Uverite se da je električni alat isključen, pre nego što ga priključite na struju i/ili na akumulator, uzmete ga ili nosite.** Ako prilikom nošenja električnog alata držite prst na prekidaču ili aparat uključen priključujete na struju, može ovo voditi nesrećama.
 - d) **Uklonite alate za podešavanje ili ključeve za zavrtnje, pre nego što uključite aparat.** Alat ili ključ koji se nalazi u delu aparata koji se okreće, može voditi povredama.
 - e) **Ne precenjujte sebe. Pobrnite se da sigurno stojite i održavajte u svako doba ravnotežu.** Na taj način možete bolje kontrolisati aparat u neočekivanim situacijama.
 - f) **Nosite pogodno odelo. Ne nosite široko odelo ili nakit. Držite kosu, odelo i rukavice podalje od pokretnih delova.** Opušteno odelo, nakit ili duža kosa mogu biti zahvaćeni od rotirajućih delova.
 - g) **Ako se mogu montirati uređjaji za usisavanje prašine i uređjaji za hvatanje prašine, uverite se da li su priključeni i ispravno koristite.** Upotreba usisavanja prašine može smanjiti opasnosti od prašine.
- #### 4) BRIŽLJIVO OPHODJENJE I KORIŠĆENJE ELEKTRIČNIH ALATA
- a) **Ne preopterećujte aparat. Upotrebljavajte za Vaš posao električni alat odredjen za to.** Sa odgovarajućim električnim alatom radićete bolje i sigurnije u navedenom području rada.
 - b) **Ne upotrebljavajte električni alat, čiji je prekidač u kvaru.** Električni alat koji više ne može da se uključi ili isključi je opasan i mora da se popravi.
 - c) **Izvučite utikač iz utičnice i/ili uklonite akumulator pre nego što preduzmete podešavanja na aparatu, promenu delova pribora ili ostavite aparat.** Ova mera opreza sprečava nenamernan start aparata.
 - d) **Čuvajte nekorišćene električne alate izvan domašaja dece. Ne dopustite osobama da koriste aparat, koje ga ne poznaju ili nisu pročitale ova uputstva.** Električni alati su opasni, ako ih koriste neiskusne osobe.
 - e) **Održavajte aparat brižljivo. Kontrolišite, da li pokretni delovi aparata funkcionišu besprekorno i ne slepljuju, da li su delovi slomljeni ili tako oštećeni, da je funkcija aparata oštećena. Popravite oštećene delove pre upotrebe aparata.** Mnoge nesreće imaju svoj uzrok u loše održanim električnim alatima.
 - f) **Držite alate za sečenja oštre i čiste.** Brižljivo negovani alati za sečenje sa oštrim sečivima manje slepljuju i lakše se vode.

- g) **Upotrebljavajte električne alate, pribor, alate koji se umeću itd. prema ovim uputstvima. Obratite pažnju pritom na uputstva za rad i posao koji treba izvesti.** Upotreba električnih alata za druge od propisanih namena može voditi opasnim situacijama.

5) SERVIS

- a) **Neka Vam Vaš aparat popravlja samo kvalifikovano stručno osoblje i samo sa originalnim rezervnim delovima.** Na taj način se obezbeđuje da ostane sačuvana sigurnost aparata.

POSEBNA BEZBEDNOSNA UPUTSTVA ZA KOSILICE

OBJAŠNJENJE SIMBOLA NA ALATU

- ④ Pročitajte uputstvo za korišćenje pre prve upotrebe
- ⑤ Dvostruka izolacija (nije potrebna žica za uzemljenje)
- ⑥ **Obratite pažnju na rizik od povreda izazvanih letecim otpacima** (duga lica držite na bezbednoj udaljenosti od radnog prostora)
- ⑦ Čuvajte se oštrih sečiva
- ⑧ (Produžni) kabl držite podalje od rotirajućeg reznog sečiva
- ⑨ Režno sečivo se okreće još neko vreme nakon što se alat isključi (**ne dodirujte rotirajuće režno sečivo**)
- ⑩ Isključite alat i izvučite utikač pre čišćenja/održavanja, ili ukoliko je (produžni) kabl oštećen ili zapleten
- ⑪ Alat ne odlažite u kućne otpatke

OPŠTA

- Izbegavajte rad sa kosilicom na vlažnim travnjacima
- Korisnik je odgovoran za nezgode ili opasnosti kojima su izložena druga lica ili njihova imovina
- Nikada ne rukujte alatom čiji je zadnji štitnik oštećen ili ako je njegova kutija za travu oštećena
- Kada rukujete ovim alatom bez kutija za travu, obezbedite da zadnji štitnik bude u zatvorenom položaju (**rizik od povreda izazvanih rotirajućim reznim sečivom**)

- Uvek izvučite utikač iz izvora napajanja
 - kada god ostavljate alat bez nadzora
 - pre uklanjanja zaglavljenog materijala
 - pre provere, čišćenja ili rada na alatu
 - posle udarca u strano telo
 - kada god alat počne da vibrira na neuobičajen način

ELEKTRIČNA SIGURNOST

- Povremeno proverite kabl i u slučaju oštećenja, odnesite ga kvalifikovano licu da ga zameni
- Prilikom upotrebe alata u vlažnom okruženju, koristite sklopku na diferencijalnu struju čija je struja okidanja najviše 30 mA
- Produžni kabl koji koristite mora da bude sasvim odmotan i siguran, sa kapacitetom od 16 A
- Isključivo koristite produžni kabl tipa H05VV-F ili H05RN-F koji je namenjen za korišćenje na otvorenom i opremljen vodonepropusnim utikačem i dvostrukom utičnikom otpornom na kvašenje
- Nemojte gaziti, gnječiti ili potezati (produžni) kabl
- Zaštitite (produžni) kabl od toplote, ulja i oštrih ivica
- Povremeno pregledajte produžni kabl i zamenite ga u slučaju oštećenja (**neodgovarajući produžni kablovi mogu predstavljati opasnost**)

SIGURNOST OSOBA

- Ne koristite alat bosi ili u otvorenim sandalama; uvek nosite pantalone sa dugim nogavicama i čvrste cipele

- Upoznajte se sa komandama i pravilnim korišćenjem alata
- Nikada ne kosite u neposrednoj blizini drugih lica (naročito dece) i životinja
- **Šake i stopala uvek držite podalje od delova koji se okreću**
- **Uvek se držite podalje od otvora za pražnjenje**
- Motor uključite prema uputstvu, a stopala držite podalje od reznog sečiva
- **Ovaj alat namenjen je za upotrebu osobama (uključujući i decu) sa smanjenim fizičkim, senzorskim ili mentalnim sposobnostima ili sa manjkom iskustva i znanja, a ako im osoba zadužena za njihovu bezbednost nije pružila odgovarajuća pomoć i uputstvo kako koristiti alat** (lokalni propisi mogu ograničavati starost rukovaoca)
- Vodite računa da se deca ne igraju sa alatom
- Kosilicu koristite krećući se brzinom hoda (ne trčite)
- Zadržite odgovarajući oslonac na nagibima i ne kosite na izrazito strmim nagibima
- Budite izuzetno oprezni prilikom kretanja unazad ili povlačenja kosilice prema sebi

PRE UPOTREBE

- Proverite funkcionisanje električnog alata pre upotrebe i u slučaju postojanja bilo kakvog kvara dajte odmah na popravku nikada ne otvarajte alat sami
- Temeljno pregledajte područje na kojem će kosilica biti korišćena, i uklonite sve tvrde predmete koje bi mehanizam za sečenje mogao da zahvati i baci uvis
- Uvek obezbedite ispravnost mehanizma za sečenje (zamenite pohabane ili oštećene delove)
- Neka sve matice, zavrtnji i šrafovi budu čvrsto zategnuti da bi rad sa kosilicom bio bezbedan

TOKOM UPOTREBE

- Kosite isključivo pri dovoljnoj količini dnevnog svetla ili uz odgovarajuće veštačko osvetljenje
- Ne naginjte alat kada pokrećete ili uključujete motor, osim ako alat mora da se nagne kada se započine košenje duge trave (u tom slučaju, ne naginjte ga više nego što je neophodno i naginjte samo deo koji je dalje od rukovaoca); obezbedite da obe ruke uvek budu u radnom položaju pre vraćanja alata na tlo
- Obezbedite da režno sečivo bude potpuno zaustavljeno kada naginjete alat radi preskakanja površina koje nisu travnate i kada ga transportujete do mesta koje treba pokositi
- Na kosinama kosite poprečno (nikada nagore i nadole)
- Budite naročito pažljivi kad menjate smer kretanja na kosini
- Nikad ne hvatajte i ne nosite kosilicu dok motor radi
- Uvek isključite alat i izvucite utikač iz izvora napajanja ukoliko je kabl napajanja ili produžni kabl presečen, oštećen ili zapleten (**kabl ne dodirujte pre nego što izvućete utikač**)
- Nikada nemojte da koristite alat ako je kabl oštećen; zamenu kabla mora da obavi stručno lice

UPUTSTVO ZA KORIŠĆENJE

- Regulator zategnutosti kabla ⑫
 - omću produžnog kabla zakačite za regulator zategnutosti A prema ilustraciji
 - dobro zategnite da biste učvrstili produžni kabl
- Podešavanje visine sečenja (28-48-68 mm) ⑬
 - ! **izvucite utikač iz izvora napajanja i uverite se da je oštrica sečiva prestala da se okreće**

- okrenite kosilicu naopačke
- prednju i zadnju osovinu točkova postavite u željeni položaj za rezanje (28, 48 ili 68 mm)
- ! **obezbedite da četiri točka budu učvršćeni na istu visinu rezanja**

- Sigurnosni prekidač za uključivanje/isključivanje ⑭
 - Sprečava slučajno uključivanje alata
 - uključite alat tako što ćete najpre pritisnuti sigurnosni prekidač C, a zatim prekidač D
 - isključite alat otpuštanjem prekidača D
 - ! **posle isključivanja, sečivo će rotirati još nekoliko trenutaka**
- Uputstvo za rad
 - držite kosilicu obema rukama
 - postavite kosilicu na rub travnjaka i kosite krećući se napred
 - kod svakog zaokreta vratite se unazad, uz blago preklapanje sa prethodnim tragom košenja
 - kosilicu koristite isključivo na suvoj travi
 - kosilicu držite podalje od tvrdih predmeta i biljaka
 - za košenje visoke trave, najpre podesite mehanizam za sečenje na maksimalnu visinu sečenja, a zatim ga spustite
 - ! **prilagodite tempo hodanja kada kosite visoku travu**
- Indikator za "Puna kutija za travu" ⑮
 - ispraznite kutiju za travu E čim se jezičak F sam spusti, što označava da je kutija za travu puna
 - za optimalno sakupljanje trave redovno čistite otvore ispod jezička F ručnom četkom
- Skladištenje ⑯
 - da biste značajno uštedeli prostor za čuvanje, sklopite ručicu (korišćenjem zavrtnja s krilcima G) i odložite alat kao što je ilustrovano; **prvo prazna kutija za travu**
 - ! **obezbedite da (produžni) kabl ne bude uhvaćen pri sklapanju/rasklapanju ručice alata (nemojte bacati ručicu)**
 - tokom skladištenja, na kosilicu nemojte stavljati druge predmete
 - kosilicu čuvajte u zatvorenom prostoru, na suvom mestu

ODRŽAVANJE / SERVIS

- Ovaj alat nije namenjen za profesionalnu upotrebu
- Alat i kabl uvek održavajte čistim (posebno otvore za hlađenje J ③)
- Posle svake upotrebe očistite kosilicu ručnom četkom i mekom tkaninom
 - ! **ne koristite vodu (pogotovo mlazove pod visokim pritiskom)**
 - drvenim ili plastičnim oruđem uklonite otkose trave sabijene oko oštrice
- Redovno proveravajte da li je kutija za travu pohabana ili oštećena
- Redovno proveravajte da li su sečiva i zavrtnjevi pohabani ili oštećeni i zamenite ih u kompletu da biste očuvali ravnotežu
- Zamena reznog sečiva ⑰
 - ! **izvucite utikač iz izvora napajanja i uklonite kutiju za travu E ③**
 - ! **nosite zaštitne rukavice**
 - okrenite kosilicu naopačke

- uklonite/montirajte rezno sečivo korišćenjem ključa 13 kao što je ilustrovano

! koristite isključivo rezervna rezna sečiva ispravnog tipa (SKIL broj rezervnog dela 2610Z04069, sa oznakom YAT 474 552)

- temeljno očistite oblast osovine i donju stranu alata pre montiranja reznog sečiva

! prilikom montiranja reznog sečiva obezbedite da se dve rupe X savršeno poklapaju sa dva ispupčenja

- Ako bi alat i pored brižljivog postupka izrade i kontrole nekada otkazao, popravku mora vršiti neki autorizovani servis za SKIL-električne alate
 - pošaljite **nerastavljeni** alat zajedno sa potvrdom o kupovini vašem nabavljaču ili najbližem SKIL servisu (adrese i oznake rezervnih delova možete naći na www.skil.com)

REŠAVANJE PROBLEMA

- Na spisku koji sledi dati su simptomi problema, mogući uzroci i postupci namenjeni njihovom otklanjanju (ukoliko ovim putem problem ne bude otkriven, obratite se prodavcu ili servisu)

! isključite alat i izvucite utikač pre nego što se posvetite istraživanju problema

★ Alat ne funkcioniše

- nema napajanja -> proverite napajanje (kabl napajanja, prekidače, osigurače)
- neispravna utičnica napajanja -> upotrebite drugu utičnicu
- oštećen produžni kabl -> zamenite produžni kabl
- trava previsoka -> povećajte visinu rezanja i nagnite alat

★ Isprekidan rad alata

- oštećen produžni kabl -> zamenite produžni kabl
- neispravno unutrašnje ožičenje -> obratite se prodavcu/servisu

★ Alat ostavlja neravnomerno pokošenu površinu ili se motor „muči“

- visina rezanja preniska -> povećajte visinu rezanja
- tupo rezno sečivo -> zamenite rezno sečivo
- donja strana alata je mnogo začepljena -> očistite alat
- visina rezanja nije ujednačena -> postavite sva 4 točka na istu visinu za rezanje

★ Režno sečivo ne rotira

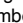
- rezno sečivo preprečeno -> uklonite prepreku
- navrtka/zavrtnaj sečiva labav -> pritegnite navrtku/zavrtnaj sečiva

★ Alat vibrira na neuobičajen način

- rezno sečivo oštećeno -> zamenite rezno sečivo
- navrtka/zavrtnaj sečiva labav -> pritegnite navrtku/zavrtnaj sečiva

ZAŠTITA OKOLINE

• Električne alate, pribora i ambalaže ne odlažite u kućne otpatke (samo za EU-države)


- prema Evropskoj direktivi 2002/96/EG o staroj električnoj i elektronskoj opremi i njenoj upotrebi u skladu sa nacionalnim pravom, električni alati koji su istrošeni moraju biti sakupljeni odvojeno i dostavljeni pogonu za reciklažu
- simbol  će vas podsetiti to

DEKLARACIJA O USKLAĐENOSTI CE

- Izjavljujemo na vlastitu odgovornost da je pod "Tehnički podaci" opisani proizvod usaglašen sa sledećim standardima ili normativnim aktima: EN 60335, EN 61000, EN 55014 prema odredbama smernica 2006/95/EG, 2004/108/EG, 2006/42/EG, 2000/14/EG, 2011/65/EU
- **Tehnička dokumentacija kod:** SKIL Europe BV (PT-SEU/ENG1), 4825 BD Breda, NL

Marijn van der Hoofden
Operations & Engineering

Olaf Dijkgraaf
Approvals Manager


SKIL Europe BV, 4825 BD Breda, NL
25.07.2013

CE12

BUKA/VIBRACIJE

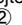


- Mereno u skladu sa EN 60335 nivo pritiska zvuka ovog alata iznosi 73 dB(A) a jačina zvuka 93 dB(A) (normalno odstupanje: 1,5 dB), a vibracija 2,5 m/s² (mereno metodom na šaci-ruci; nesigurnost K = 1,5 m/s²)
 - Garantovani nivo jačine zvuka LWA, izmeren u skladu sa 2000/14/EC (EN/ISO 3744) niži je od 94 dB(A) (postupak ocene usaglašenosti prema Dodatku VI) Obavešteno telo : KEMA, Arnhem, NL Identifikacioni broj obaveštenog tela : 0344
 - Nivo emisije vibracija izmeren je u skladu sa standardizovanim testom datim u EN 60335; on se može koristiti za upoređenje jedne alatke sa drugom, kao i za preliminarnu procenu izloženosti vibracijama pri korišćenju ove alatke za pomenute namene
 - korišćenje alatke u drugačije svrhe ili sa drugačijim ili slabo održavanim nastavcima može značajno **povećati** nivo izloženosti
 - vreme kada je alatka isključena ili kada je uključena, ali se njome ne radi, može značajno **smanjiti** nivo izloženosti
- ! zaštitite se od posledica vibracija održavanjem alatke i njenih nastavaka, održavajući Vaše ruke toplim i organizovanjem Vaših radnih obrazaca**

SLO

Kosilnica

0715

UVOD

- To orodje je namenjeno samo košnji domaće trave
- Orodje ni namenjeno profesionalni uporabi
- Preglejte, ali embalaža vsebuje vse dele, prikazane na skici 
- V primeru manjkajočih ali okvarjenih delov se obrnite na prodajalca
- Navodila za sestavljanje 
- zaporedje številka na sliki se ujema z zaporedjem korakov za sestavljanje kosilnice
- **! trdno privijte vse vijake in maticе**
- Pred uporabo pozorno preberite navodila za uporabo in jih shranite, da jih boste lahko uporabljali tudi v prihodnosti 

TEHNIČNI PODATKI ①

DELI ORODJA ③

- A Sponka za kabel
- B Sponka za kabel
- C Varnostno stikalo
- D Sprožilec
- E Posoda za travo
- F Indikator "Polna posoda za travo"
- G Varovalna matica
- H Transportni ročaj
- J Ventilacijske reže
- K Zadnje varovalo

VARNOST

SPLOŠNA VARNOSTNA NAVODILA

⚠ OPOZORILO! Preberite vsa opozorila in napotila. Napake zaradi neupoštevanja spodaj navedenih opozoril in napotil lahko povzročijo električni udar, požar in/ali težke telesne poškodbe. **Vsa opozorila in napotila shranite, ker jih boste v prihodnje še potrebovali.** Pojem "električno orodje", ki se pojavlja v nadaljnjem besedilu, se nanaša na električna orodja z električnim pogonom (z električnim kablom) in na akumulatorska električna orodja (brez električnega kabla).

1) VARNOST NA DELOVNEM MESTU

- a) **Poskrbite, da bo Vaše delovno mesto vedno čisto in urejeno.** Nered ali neosvetljena delovna področja lahko povzročijo nezgode.
- b) **Prosimo, da orodja ne uporabljate v okolju, kjer je nevarnost za eksplozije in v katerem se nahajajo gorljive tekočine, plini in prah.** Električna orodja povzročajo iskre, zato se gorljivi prah ali pare lahko vnamejo.
- c) **Ne dovolite otrokom in drugim osebam, da bi se medtem ko delate, približali električnemu orodju.** Druge osebe lahko odvrnejo Vašo pozornost drugam in izgubili boste nadzor nad orodje.

2) ELEKTRIČNA VARNOST

- a) **Vtič mora ustrezati električni vtičnici in ga pod nobenim pogojem ne smete spreminjati.** Uporaba adapterskih vtičev v kombinaciji z ozemljena orodja ni dovoljena. Originalni oziroma nespremenjeni vtiči in ustrezne vtičnice zmanjšujejo tveganje električnega udara.
- b) **Izogibajte se telesnemu stiku z ozemljenimi površinami, na primer s cevmi, grelci, štedilniki in hladilniki.** Če je ozemljeno tudi vaše telo, obstaja povečano tveganje električnega udara.
- c) **Zavarujte orodje pred dežjem ali vlago.** Vdor vode v električno orodje povečuje tveganje električnega udara.
- d) **Električnega kabla ne uporabljajte za prenašanje ali obešanje orodja in ne vlečite vtič iz vtičnice tako, da vlečete za kabel.** Zavarujte kabel pred vročino, oljem, ostrimi robovi in premikajočimi se deli orodja. Poškodovani ali prepleteni kabli povečujejo tveganje električnega udara.
- e) **Če z električnim orodjem delate na prostem, uporabljajte izključno kabelski podaljšek, ki je**

atestiran za delo na prostem. Uporaba kabelskega podaljška, primernega za delo na prostem, zmanjšuje tveganje električnega udara.

- f) **Če je uporaba električnega orodja v vlažnem okolju neizogibna, uporabljajte prekinjevalec električnega tokokroga.** Prekinjevalca električnega tokokroga zmanjšuje tveganje električnega udara.

3) OSEBNA VARNOST

- a) **Bodite zbrani in pazite, kaj delate. Dela z električnim orodjem se lotite razumno. Nikoli ne uporabljajte orodja, če ste utrujeni in če ste pod vplivom mamil, alkohola ali zdravil.** En sam trenutek nepazljivosti pri uporabi orodja ima lahko za posledico resne telesne poškodbe.
 - b) **Uporabljajte osebna zaščitna sredstva in vedno nosite zaščitna očala.** Uporaba osebnih zaščitnih sredstev, na primer maske proti prahu, nedrsečih zaščitnih čevljev, zaščitne čelade in glušnikov, odvisno od vrste in uporabe električnega orodja, zmanjšuje tveganje telesnih poškodb.
 - c) **Izogibajte se nenamernemu zagonu. Pred priključitvijo električnega orodja na električno omrežje in/ali na akumulator in pred dviganjem ali nošenjem se prepričajte, če je električno orodje izklopljeno.** Prenašanje naprave s prstom na stikalo ali priključitev vklopljenega električnega orodja na električno omrežje je lahko vzrok za nezgodo.
 - d) **Pred vklopom orodja odstranite z njega nastavitvena orodja ali vijačni ključ.** Orodje ali ključ, ki se nahajata na vrtečem se delu električnega orodja, lahko povzročita nezgodo.
 - e) **Ne precenjujte se in poskrbite za varno stojišče in stalno ravnotežje.** Tako boste lahko v nepričakovani situaciji bolje obvladali orodje.
 - f) **Nosite primerno obleko, ki naj ne bo preohlapna. Ne nosite nakita. Lasje, oblačilo in rokavice naj se ne približujejo premikajočim se delom orodja.** Premikajoči se deli orodja lahko zgrabijo ohlapno obleko, nakit, ali dolge lase.
 - g) **Če je možno na orodje namestiti priprave za odsesavanje in prestrežanje prahu, prepričajte se, ali so le-te priključene in, če jih pravilno uporabljate.** Uporaba priprave za odsesavanje prahu zmanjšuje zdravstveno ogroženost zaradi prahu.
- #### 4) RAVNANJE IN NEGA ROČNEGA ORODJA
- a) **Ne preobremenjujte orodja. Za določeno delo uporabljajte električno orodje, ki je predvideno za opravljanje tega dela.** Z ustreznim električnim orodjem boste delo opravili bolje in varneje, ker je bilo v ta namen tudi konstruirano.
 - b) **Električno orodje, ki ima pokvarjeno stikalo, ne uporabljajte.** Električno orodje, ki ga ni možno vklopiti ali izklopiti, je nevarno in ga je potrebno popraviti.
 - c) **Pred nastavljanjem naprave, zamenjavo delov pribora ali odlaganjem naprave izvlecite vtič iz električne vtičnice in/ali odstranite akumulator.** Ta previdnostni ukrep onemogoča nepredviden zagon orodja.
 - d) **Kadar orodja ne uporabljate ga shranjujte izven dosega otrok. Osebam, ki orodja ne poznajo ali niso prebrale teh navodil, orodja ne dovolite uporabljati.** Električna orodja so nevarna, če jih uporabljajo neizkušene osebe.

- e) **Skrbno negujte orodje. Preverite, če premikajoči se deli orodja delujejo brezhibno in če se ne zatikajo, oziroma, če kakšen del orodja ni zlomljen ali poškodovan do te mere, da bi oviralo njegovo delovanje. Pred nadaljnjo uporabo je potrebno poškodovani del popraviti.** Vzrok za številne nezgode so ravno slabo vzdrževana električna orodja.
- f) **Rezalna orodja naj bodo ostra in čista.** Skrbno negovana rezalna orodja z ostrimi rezili se manj zatikajo in so boljje vodljiva.
- g) **Električna orodja, pribor, nastavke in podobno uporabljajte v skladu s temi navodili. Pri tem upoštevajte delovne pogoje in vrsto dela, ki ga nameravate opraviti.** Zaradi uporabe električnega orodja v druge, nepredvidene namene, lahko nastanejo nevarne situacije.
- 5) **SERVIS**
- a) **Popravilo orodja lahko opravi samo usposobljena strokovna oseba in to izključno z originalnimi nadomestnimi deli.** Le tako bo ohranjena nadaljnja varnost orodja.

POSEBNA VARNOSTNA NAVODILA ZA KOSILNICE

POJASNILO OZNAK NA ORODJU

- ④ Pred uporabo preberite navodila za uporabo
- ⑤ Dvojna izolacija (ozemljitveni kabel ni potreben)
- ⑥ **Bodite pozorni na nevarnost, ki jo povzročajo izvršeni ostanki** (navzoče osebe naj bodo na varni razdalji od delovnega območja)
- ⑦ Pazite na ostra rezila
- ⑧ Podaljška ne približujte vrtečemu se rezilu
- ⑨ Rezilo se po izklopu orodja še nekaj časa vrti (**ne dotikajte se vrtečega se rezila**)
- ⑩ Orodje izklopite in izvlecite električni vtič iz vtičnice pred postopkom čiščenja/vzdrževanja, ali če je kabel (podaljšek) poškodovan ali se zaplete
- ⑪ Orodja ne odstranjujte s hišnimi odpadki

SPLOŠNO

- Kosilnice ne uporabljajte na mokri travi
- Uporabnik je odgovoren za nezgode ali tveganja za druge osebe ali njihovo lastnino
- Orodja ne uporabljajte ob poškodovanem zadnjem varovalu ali posodi za travo
- Pri delu z orodjem brez nameščene posode za travo zagotovite, da je zadnje varovalo v zaprtem položaju (**nevarnost poškodb zaradi vrtečega se rezila**)
- Vselej izvlecite električni vtič iz vtičnice
 - če pustite orodje nenadzorovano
 - preden očistite zagodeni material
 - pred preverjanjem ali čiščenjem orodja ali opravljanjem posegov na njem
 - po udarcu ob tujek
 - če se začne orodje nenavadno tresti

ELEKTRIČNA VARNOST

- Periodično preverjajte kabla in naj ga zamenja strokovnjak v primeru poškodb
- Pri uporabi orodja v vlažnem okolju uporabite zaščitno napravo na diferenčni tok z občutljivostjo toka največ 30 mA
- Uporabljajte povsem iztegnjene in varne električne podaljške, z jakostjo 16 amperov
- Uporabljajte samo kabselske podaljške tipa H05VV-F ali

H05RN-F za zunanjo uporabo, opremljene z vtičem in vtičnico, ki sta odporna proti vlagi

- Ne vozite čez kabel (podaljška) in ga ne zvijajte ali vlecite
- Kabel (podaljšek) zaščitite pred vročino, oljem in ostrimi robovi
- Redne pregledujte podaljšek kabla, poškodovane podaljške pa menjajte (**uporaba neustreznega podaljška je lahko nevarna**)

OSEBNA VARNOST

- Orodja ne upravljajte bosí, ali če imate obute odprte sandale; pri delu z orodjem imejte vselej obuto odporno obutev in oblečene dolge hlače
- Seznanite se z upravljanjem in pravilno uporabo orodja
- Nikoli ne kosite v neposredni bližini oseb (zlasti otrok) in živali
- **Z rokami in nogami se nikoli ne približujte vrtečim se delom kosilnice**
- **Izogibajte se odprtini za izmet**
- Motor vklopite po navodilih, pri tem pa stojte čim bolj stran od rezila
- **Orodja naj ne uporabljajo osebe (tudi otroci) z zmanjšanimi telesnimi, senzoričnimi ali umskimi sposobnostmi ali osebe brez ustreznih izkušenj ali znanja, razen pod nadzorom osebe, ki je odgovorna za njihovo varnost, ali skladno z njenimi navodili** (starost upravljavca lahko omejujejo krajevni predpisi)
- Zagotovite, da se otroci ne bodo igrali z orodjem
- Kosilnico uporabljajte s hitrostjo hoje (ne tecite)
- Ustrezno se gibajte po pobočju, zelo strmih pobočjih pa ne kosite
- Posebna pozornost je potrebna pri zadenjski hoji ali vleki kosilnice proti sebi

PRED UPORABO

- Pred vsako uporabo preverite pravilno delovanje orodja; v primeru okvare naj orodje takoj popravi strokovnjak v pooblaščenih servisnih delavnicah; nikoli ne odpirajte orodja sami
- Temeljito preglejte območje, kjer boste kosili, in odmaknite vse trdne predmete, ki jih lahko rezalni mehanizem zajame in izvrže
- Zagotovite brezhibno delovanje rezalnega mehanizma (zamenjajte obrabljene ali okvarjene dele)
- Za zagotovitev brezhibnega delovanja kosilnice tesno privijte vse matice, sornike in vijake

MED UPORABO

- Kosite samo pri zadostni dnevni svetlobi ali ustrezni umetni razsvetljavi
- Med zagonom ali vklopom motorja ne nagibajte orodja, razen za začetek košnje visoke trave (ob tem ga ne nagibajte bolj, kot je treba, in nagnite zgolj del, ki je najbolj oddaljen od upravljavca); med spuščanjem orodja na tla imejte roki na ročajju
- Pri nagibanju orodja pri prečkanju netravnatih površin in prenašanju orodja od in do območja, predvidenega za košnjo, se prepričajte, da rezilo povsem miruje
- Kosite prečno na nagib (nikoli navzgor ali navzdol po hribu)
- Pri menjavi smeri na nagibu bodite izjemno previdni
- Ne dvigajte ali prenašajte kosilnice z motorjem v teku
- Vselej izklopite orodje in izvlecite električni vtič iz vtičnice, če je napajalni kabel ali podaljšek prerezan, poškodovan, ali če se zaplete (**kabla se ne dotikajte, dokler ne izvlečete vtiča iz vtičnice**)
- Nikoli ne uporabljajte orodja, če je kabel poškodovan; okvaro naj odpravi strokovnjak

UPORABA

- Sponka za kabel ⑫
 - s kablom naredite zanko skozi varovalno sponko A, kot je prikazano na sliki
 - z močnim potegom zanke zavarujte kabel
- Prilagoditev višine rezanja (28-48-68 mm) ⑬
 - ! **priključke izključite iz napajalnika in preverite, ali se je rezilna plošča prenehala vrteti**
 - kosilnico obrnite z zgornjim delom navzdol
 - prednjo in zadnjo gred kolesa namestite na željeno višino rezanja (28, 48 ali 68 mm)
 - ! **preverite, ali so vsa kolesa nastavljena na enako višino rezanja**
- Vklopi/izklopi varnostno stikalo ⑭
 - Ščiti orodje pred nenamernim izklopom
 - orodje vklopite tako, da najprej pritisnete varnostno stikalo C in nato še sprožilce D
 - orodje izklopite tako, da izpustite sprožilec D
 - ! **po izklopu orodja se njegovo rezilo še nekaj časa vrti**
- Navodila za uporabo
 - kosilnico vselej držite z obema rokama
 - kosilnico zapeljite na rob trate in kosite v smeri naprej
 - ob vsakem zaključnem obratu spremenite smer in kosite malo prek prejšnjega pasu košnje
 - kosilnico uporabljajte zgolj za košnjo suhe trave
 - kosite zunaj dosega trdnih predmetov in rastlin
 - za košnjo visoke trave najprej rezalni mehanizem nastavite na najvišjo višino rezanja, nato pa na nižjo
 - ! **pri košenju visoke trave prilagodite hitrost hoje**
- Indikator "Polna posoda za travo" ⑮
 - spraznite posodo za travo E, takoj ko se loputa F spusti, saj to pomeni, da je posoda za travo polna
 - za optimalno učinkovitost zbiranja trave redno čistite luknje pod loputo F z ročno ščetko
- Shranjevanje ⑯
 - za prihranek prostora namestite ročaj orodja v položaj za shranjevanje (s krilno matico G) in orodje shranite, kot je prikazano; **najprej izpraznite posodo za travo**
 - ! **zagotovite, da pri nameščanju ročaja orodja v delovni položaj/položaj za shranjevanje ne pripnete podaljška (ročaja ne izpustite)**
 - med shranjevanjem na kosilnico ne polagajte nobenih predmetov
 - kosilnico shranjujte na suhem in pokritem mestu

VZDRŽEVANJE/SERVISIRANJE

- Orodje ni namenjeno profesionalni uporabi
- Priključni kabel in orodje naj bosta vedno čista (posebej še preizračevalne odprtine J ③)
- Po vsaki uporabi kosilnico očistite z ročno krtačko in mehko krpo
 - ! **za čiščenje ne uporabljajte vode (zlasti visokotlačnih curkov vode)**
 - z lesnim ali plastičnim pripomočkom z rezil odstranite stisnjene ostanke pokošene trave
- Redno pregledujte posodo za travo zaradi morebitne obrabe ali poškodb
- Rezila in vijake redno pregledujte zaradi morebitne obrabe in poškodb ter jih zamenjajte v kompletu, da ohranite ravnovesje
- Menjava rezila ⑰

! **električni vtič izvlomite iz napajalnika in odstranite košaro za travo E ③**

! **nosite zaščitne rokavice**

- kosilnico obrnite z zgornjim delom navzdol
- nož odstranite/namestite s ključem 13, kot je prikazano na sliki

! **uporabite samo nadomestna rezila ustreznega tipa (številka nadomestnega dela SKIL 2610Z04069, oznaka YAT 474 552)**

- pred namestitvijo rezila temeljito očistite območje gredi in spodnjo stran orodja

! **med nameščanjem rezila je treba zagotoviti, da se odprtini X povsem prekrivata z manjšima odprtinama Y**

- Če bi kljub skrbnim postopkoma izdelave in preizkušanja prišlo do izpada delovanja orodja, naj popravilo opravi servisna delavnica, pooblaščenca za popravila SKILevih električnih orodij
 - pošljite **nerazstavljeno** orodje skupaj s potrdilom o nakupu pri vašemu prodajalcu v najbližjo SKIL servisno delavnico (naslovi, kot tudi spisek rezervnih delov se nahaja na www.skil.com)

ODPRAVLJANJE NAPAK

- V naslednjem seznamu navedeni znaki težav, možni vzroki in ustrezni ukrepi za odpravljanje težav (če to ne pripomore k odkrivanju in odpravljanju težav, se obrnite na vašega prodajalca ali servisno delavnico)
 - ! **preden raziščete težavo, izklopite orodje in izvlomite vtič iz vtičnice**

★ Orodje ne deluje

- ni napajanja -> preverite napajanje (napajalni kabel, varnostna stikala, varovalke)
- vtičnica je poškodovana -> uporabite drugo vtičnico
- podaljšek kabla je poškodovan -> menjajte podaljšek kabla
- previsoka trava -> povečajte višino rezanja in nagnite orodje

★ Orodje deluje s prekinitevami

- podaljšek kabla je poškodovan -> menjajte podaljšek kabla
- okvara notranjih električnih povezav -> obrnite se na prodajalca/servisno delavnico

★ Orodje ne zagotavlja ravne površine ali pa je motor preobremenjen

- prenizka višina rezanja -> povečajte višino rezanja
- rezilo je topo -> menjajte rezilo
- močno zamašena spodnja stran orodja -> očistite orodje
- neenakomerna višina rezanja -> 4 kolesa nastavite na enako višino rezanja

★ Rezilo se ne vrti

- vrtenje rezila je ovirano -> odstranite oviro
- zrahljana matica/vijak rezila -> pričvrstite matico/vijak rezila

★ Nenavadno tresenje orodja

- poškodovano rezilo -> menjajte rezilo
- zrahljana matica/vijak rezila -> pričvrstite matico/vijak rezila

OKOLJE

- **Električnega orodja, pribora in embalaže ne odstranjujte s hišnimi odpadki (samo za države EU)**

- v skladu z Evropsko direktivo 2002/96/EG o odpadnih električni in elektronski opremi in z njenim izvajanjem v nacionalni zakonodaji je treba električna orodja ob koncu njihove življenjske dobe ločeno zbirati in jih predati v postopek okolju prijaznega recikliranja
- ko je potrebno odstranjevanje, naj vas o načinu spomni simbol ①

IZJAVA O SKLADNOSTI C E

- Izjavljamo pod izključno odgovornostjo, da proizvod pod "Tehnični podatki" ustreza naslednjim standardom oz. standardiziranim dokumentom: EN 60335, EN 61000, EN 55014 v skladu z določili direktiv 2006/95/ES, 2004/108/ES, 2006/42/ES, 2000/14/ES, 2011/65/EU
- **Tehnična dokumentacija se nahaja pri:** SKIL Europe BV (PT-SEU/ENG1), 4825 BD Breda, NL

Marijn van der Hoofden Olaf Dijkgraaf
Operations & Engineering Approvals Manager

SKIL Europe BV, 4825 BD Breda, NL

25.07.2013

CE12

HRUP/VIBRACIJA

- Izmerjeno v skladu s predpisom EN 60335 je raven zvočnega pritiska za to orodje 73 dB(A) in jakosti zvoka 93 dB(A) (standarden odmik: 1,5 dB), in vibracija 2,5 m/s² (metoda dlan-roka; netočnost K = 1,5 m/s²)
 - Zagotovljeni ravni zvočne moči in zvočnega tlaka (LWA), izmerjeni skladno z direktivo 2000/14/ES (EN/ISO 3744) sta manjši od 94 dB(A) (postopek ocene skladnosti izdelka je bil opravljen ustrezno prilogi VI)
- Priglašeni organ: KEMA, Arnhem, NL
Identifikacijska številka priglašene organa: 0344
- Raven oddajanja vibracij je bila izmerjena v skladu s standardiziranimi testi, navedenimi v EN 60335; uporabiti jo je mogoče za primerjavo različnih orodij med seboj in za predhodno primerjavo izpostavljenosti vibracijam pri uporabi orodja za namene, ki so omenjeni
 - uporaba orodja za drugačne namene ali uporaba skupaj z drugimi, slabo vzdrževanimi nastavki lahko znatno **poveča** raven izpostavljenosti
 - čas, ko je orodje izklopljeno ali ko teče, vendar z njim ne delamo, lahko znatno **zmanjša** raven izpostavljenosti
- ! pred posledicami vibracij se zaščitite z vzdrževanjem orodja in pripadajočih nastavkov, ter tako, da so vaše roke tople, vaši delovni vzorci pa organizirani**

EST

Muruniiduk

0715

SISSEJUHATUS

- See tööriist on mõeldud ainult koduseks muruniitmiseks
- Tööriist pole mõeldud professionaalseks kasutamiseks
- Kontrollige, kas pakend sisaldab kõiki jooniseid ② näidatud osi

- Kui komplektist puudub mõni osa, võtke ühendust kohaliku edasimüüjaga
- Paigaldusjuhised ②
 - joonisel esitatud numbrite järjekord vastab sammude järjekorrale, mida tuleb niiduki kokkupanemisel järgida
- **! kinnitage kõik kruvid ja mutrid tugevalt**
- Enne seadme kasutamist lugege kasutusjuhend hoolikalt läbi ja hoidke see edaspidiseks alles ④

TEHNILISED ANDMED ①

SEADME OSAD ③

- A Juhtmehoidik
- B Trossiklamber
- C Turvalüliti
- D Päästiküliti
- E Kogumiskast
- F "Täis kogumiskasti" märgutuli
- G Kinnitamise tiibmutter
- H Transpordikäepide
- J Õhutusavad
- K Tagumine kate

OHUTUS

ÜLDISED OHUTUSJUHISED

⚠ TÄHELEPANU! Kõik ohutusnõuded ja juhised tuleb läbi lugeda. Ohutusnõuete ja juhiste eiramise tagajärjeks võib olla elektrilöökk, tulekahju ja/või rasked vigastused. **Hoidke kõik ohutusnõuded ja juhised edasiseks kasutamiseks hoolikalt alles.** Allpool kasutatud mõiste "elektriline tööriist" käib võrgutoitega (toitejuhtmega) elektriliste tööriistade ja akutoitega (ilma toitejuhtmega) elektriliste tööriistade kohta.

1) OHUTUSNÕUDED TÕÕPIIRKONNAS

- a) **Hoidke töökoht puhas ja korras.** Segadus või valgustamata tööpiirkonnad võivad põhjustada õnnetusi.
- b) **Ärge kasutage seadet plahvatusohtlikus keskkonnas, kus leidub tuleohtlikke vedelikke, gaase või tolmu.** Elektrilistest tööriistadest lööb sädemeid, mis võivad tolmu või auru süüdata.
- c) **Kui kasutate elektrilist tööriista, hoidke lapsed ja teised isikud töökohast eemal.** Kui Teie tähelepanu kõrvale juhitakse, võib seade Teie kontrolli alt väljuda.

2) ELEKTRIOHUTUS

- a) **Seadme pistik peab pistikupesast sobima.** Pistiku kallal ei tohi teha mingeid muudatusi. **Ärge kasutage kaitsemaandusega seadmete puhul adapterpistikuid.** Muutmata pistikud ja sobivad pistikupesad vähendavad elektrilöögi saamise riski.
- b) **Vältige kehakontakti maandatud pindadega, nagu torud, radiaatorid, pliidid ja külmikud.** Kui Teie keha on maandatud, on elektrilöögi risk suurem.
- c) **Hoidke seadet vihma ja niiskuse eest.** Kui elektriseadmesse on sattunud vett, on elektrilöögi saamise risk suurem.
- d) **Ärge kasutage toitejuhet selleks mitte ettenähtud otstarbel seadme kandmiseks, ülesriputamiseks ega pistiku pistikupesast väljatõmbamiseks.**

- Hoidke toitejuhet kuumuse, õli, teravate servade ja seadme liikuvate osade eest.** Kahjustatud või keerduläinud toitejuhtmed suurendavad elektrilöögi saamise riski.
- e) **Kui töötate elektrilise tööriistaga vabas õhus, kasutage ainult selliseid pikendusjuhtmeid, mida on lubatud kasutada ka välitingimustes.** Välitingimustes kasutamiseks sobiva pikendusjuhtme kasutamine vähendab elektrilöögi saamise riski.
- f) **Kui elektrilise tööriista kasutamine niiskes keskkonnas on vältimatut, kasutage maandusega lekkevoolukaitset.** Maandusega lekkevoolukaitse kasutamine vähendab elektrilöögi ohtu.
- 3) INIMESTE TURVALISUS**
- a) **Olge tähelepanelik, jälgige, mida Te teete, ning toimige elektrilise tööriistaga töötades mõistlikult. Ärge kasutage seadet, kui olete väsinud või ümasteite, alkoholi või ravimite mõju all.** Hekiline tähelepanematus seadme kasutamisel võib põhjustada tõsiseid vigastusi.
- b) **Kandke isikukaitsevahendeid ja alati kaitseprille.** Isikukaitsevahendite, nagu tolmutmask, libisemiskindlad turvajalatsid, kaitsekiiver või kuulmiskaitsevahendid, kandmine – sõltuvalt elektrilise tööriista tüübist ja kasutusalaast – vähendab vigastuste riski.
- c) **Vältige seadme tahtmatut käivitamist. Enne pistiku ühendamist pistikupesassa, aku ühendamist seadme külge, seadme ülestõstmist ja kandmist veenduge, et elektriline tööriist on välja lülitatud.** Kui hoiate elektrilise tööriista kandmisel sõrme lülilil või ühendate vooluvõrku sisselülitatud seadme, võivad tagajärjeks olla õnnetused.
- d) **Enne seadme sisselülitamist eemaldage selle küljest reguleerimis- ja mutrivõtmed.** Seadme pöörleva osa küljes olev reguleerimis- või mutrivõti võib põhjustada vigastusi.
- e) **Ärge hinnake end üle. Võtke stabiilne töösasend ja hoidke kogu aeg tasakaalu.** Nii saate seadet ootamatutes olukordades paremini kontrollida.
- f) **Kandke sobivat rõivastust. Ärge kandke laiu riideid ega ehteid. Hoidke juuksed, rõivad ja kindad seadme liikuvatest osadest eemal.** Lotendavad riided, ehted või pikad juuksed võivad sattuda seadme liikuvate osade vahele.
- g) **Kui on võimalik paigaldada tolmueemaldus- ja tolmutkõrgumisseadiseid/seadmeid, veenduge, et need oleksid seadmega ühendatud ja et neid kasutatakse õigesti.** Tolmueemaldusseadise kasutamine vähendab tolmutest põhjustatud ohte.
- 4) ELEKTRILISTE TÖÖRIISTADE HOOLIKAS KÄSITSEMINE JA KASUTAMINE**
- a) **Ärge koormake seadet üle. Kasutage töö tegemiseks selleks ettenähtud elektrilist tööriista.** Sobiva elektrilise tööriistaga töötate paremini ja turvalisemalt ettenähtud võimsusvahemikus.
- b) **Ärge kasutage elektrilist tööriista, mille lüliti on rikkis.** Elektriline tööriist, mida ei ole enam võimalik sisse ja välja lülitada, on ohtlik ning seda tuleb remontida.
- c) **Tõmmake pistik pistikupesast välja ja/ või eemaldage seadme aku enne seadme reguleerimist, tarvikute vahetamist ja seadme**

- ärapanekut.** See ettevaatusabinõu väldib seadme tahtmatut käivitamist.
- d) **Kasutusvälisel ajal hoidke elektrilisi tööriistu lastele kättesaamatult. Ärge laske seadet kasutada isikutel, kes seda ei tunne või pole siintoodud juhiseid lugenud.** Kogenematute kasutajate käes kujutavad elektrilised tööriistad ohtu.
- e) **Hoolitsege seadme eest. Kontrollige, kas seadme liikuvad osad funktsioneerivad korralikult ja ei kiildu kinni, ning ega mõned osad ei ole katki või sel määral kahjustatud, et võiksid mõjutada seadme töökindlust.** Laske kahjustatud osad enne seadme kasutamist parandada. Paljude õnnetuste põhjuseks on halvasti hooldatud elektrilised tööriistad.
- f) **Hoidke lõiketarvikud teravad ja puhtad.** Hoolikalt hoitud, teravate lõikeservadega lõiketarvikud kiilduvad harvemini kinni ja neid on lihtsam juhtida.
- g) **Kasutage elektrilist tööriista, lisavarustust, tarvikuid jne vastavalt siintoodud juhiste. Ärvestage seejuures töötajate ja teostatava töö iseloomuga.** Elektriliste tööriistade kasutamine mitte ettenähtud otstarbel võib põhjustada ohtlikke olukordi.
- 5) TEENINDUS**
- a) **Laske seadet parandada ainult kvalifitseeritud spetsialistidel ja ainult originaalvaruosadega.** Nii tagate seadme püsimise turvalisena.

MURUNIIDUKITE KOHTA KÄIVAD SPETSIIFILISED OHUTUSJUHISED

TÖÖRIISTAL OLEVATE SÜMBOLITE SELGITUS

- ④ Enne kasutamist tutvuge kasutusjuhendiga
- ⑤ Topeltisolatsioon (maandusjuhe pole vajalik)
- ⑥ **Pöörake tähelepanu vigastusohule, mida põhjustab lendav praht** (hoidke kõrvalseisjad tööalast ohutus kauguses)
- ⑦ Muruniiduki lõiketera on terav
- ⑧ Hoidke (pikendus-) juhe pöörlevast lõiketerast eemal
- ⑨ Lõiketera töötab veel lühiajaliselt pärast niiduki väljalülitamist (**ärge katsuge pöörlevat lõiketera**)
- ⑩ Lülitage seade välja ja ühendage lahti pistik enne seadme puhastamist/hooldamist või juhul, kui toite- või pikendusjuhe on saanud kahjustada või sõlme läinud
- ⑪ Ärge visake kasutuskõlbmatuks muutunud tööriista ära koos olmejäätmetega

ÜLDIST

- Vältige märja muru niitmist
- Kasutaja vastutab õnnetuste ja teiste inimeste või nende vara ohustamise eest
- Ärge kunagi kasutage niidukit, kui tagumine kate või kogumiskast on katki
- Niiduki kasutamisel ilma kogumiskastita veenduge, et tagumine kate on suletud asendis (**esineb pöörlevast lõiketerast tingitud kehavigastuste oht**)
- Ühendage pistik järgmistel juhtudel alati vooluvõrgust lahti
 - kui jätate seadme järelevalveta
 - enne ummistuste eemaldamist
 - enne seadme kontrollimist, puhastamist või hooldamist
 - pärast vöörkeha tabamist
 - kui seade hakkab ebanormaalselt vibreerima

ELEKTROHUTUS

- Kontrollige juhett regulaarselt ja laske kahjustatud juhe ilmnenisel vastava kvalifikatsiooniga isikul välja vahetada
- Kui kasutate tööriista niiskes keskkonnas, kasutage rikkevoolukatset (RCD), mille rakendusvool on maksimaalselt 30 mA
- Pikendusjuhtmete kasutamisel jälgige, et juhe oleks lõpuni lahti keritud ja vastaks 16 A voolutugevusele
- Kasutage üksnes välitingimustes kasutamiseks ette nähtud H05VV-F või H05RN-F tüüpi pikendusjuhet, mis on varustatud veekindla pistikupesaga
- Ärge komistage (pikendus)juhtme otsa, muljuge ega venitage seda
- Hoidke (pikendus)juhe eemal kuumusest, õidest ja teravatest servadest
- Kontrollige pikendusjuhet regulaarselt ja kui juhe on vigastatud, vahetage see välja (**mittevastavad pikendusjuhtmed võivad olla ohtlikud**)

INIMESTE TURVALISUS

- Ärge kasutage niidukit paljajala või lastiste sandaalidega, kandke alati tugevaid jalanõusid ja pikki pükse
- Tutvuge juhisseadmete ja seadme nõuetekohase kasutamisega
- Ärge niitke kunagi, kui läheduses on teisi inimesi (pöörake erilist tähelepanu lastele) või loomi
- **Hoidke alati käed ja jalad pöörlevatest osadest eemal**
- **Ärge pistke käsi ega jalgu väljastusavasse**
- Lülitage mootor välja juhendi kohaselt ning hoidke jalad pöörlevast lõiketerast eemal
- **Antud seade ei ole mõeldud kasutamiseks isikutele (sh lastele), kellel on puudulikud füüsilised, sensoorsed või vaimsed võimed või kellel puudub kogemus ja teadmised, välja arvatud juhul, kuid nad töötavad nende ohutuse eest vastutava isiku järelevalve või juhendamise all** (kohalikud seadused võivad seada piirangud kasutaja vanusele)
- Kindlustage, et lapsed ei mängiks seadmega
- Töötage niidukiga tavalisel kiirusel kõndides (ärge jookskes)
- Olge kallakuid niites ettevaatlik ja säilitage tasakaal ning ärge niitke eriti järske kallakuid
- Olge eriti ettevaatlik niidukit enda poole tõmmates

ENNE KASUTAMIST

- Kontrollige tööriista funktsioneerimist enne igakordset kasutamist ning laske see rikke korral koheselt remonditöökojas parandada; ärge kunagi avage tööriista ise
- Enne niitmist kontrollige niitmiskiirkond hoolikalt üle ning eemaldage kõik võõrkehaded, mis võivad sattuda lõikemehhanismi ning mida see võib laiali pilduda
- Veenduge alati, et lõikemehhanism on töökorras (laske kulunud või kahjustatud osad välja vahetada)
- Sellaks, et muruniiduk oleks töökorras, peavad kõik mutrid, poldid ja kruvid olema tugevalt kinnitatud

KASUTAMISE AJAL

- Niitke ainult päeval valguses või piisavat kunstlikku valgust kasutades
- Ärge kallutage seadet mootori käivitamisel või sisselülitamisel, v.a kui seadet tuleb kallutada kõrges rohus käivitamiseks (sellisel juhul kallutage vaid nii palju, kui vaja ja ainult seda poolt, mis jääb kasutajast eemale); seadme uuesti maapinnale asetamisel veenduge, et mõlemad käed on toosendis

- Kui kallutate tööriista muude pindade kui muru ületamiseks ja selle transportimisel ühest niitmiskohast teise, siis veenduge, et lõiketera on täielikult seiskunud
- Niitke piki kallakut (mitte üles ja alla)
- Olge kallakutel suuna muutmisel äärmiselt ettevaatlik
- Ärge tõstke muruniidukit üles ega kandke seda töötava mootoriga
- Lülitage alati seade välja ja ühendage see vooluvõrgust lahti, kui toitejuhe või pikendusjuhe on läbilõigatud, kahjustatud või sõlme läinud (**ärge puudutage juhett enne pistiku lahti ühendamist**)
- Ärge kunagi kasutage kahjustatud toitejuhtmega tööriista; laske toitejuhe remonditöökojas välja vahetada

KASUTAMINE

- Juhtmeheidik 12
 - kinnitage pikendusjuhtme silmus näidatud viisil üle hoidiku A
 - pikendusjuhtme kinnitamiseks tõmmake see pingule
- Lõikekõrguse reguleerimine (28-48-68 mm) 13
 - ! **eraldage pistik toiteallikast ja veenduge, et lõiketera on lõpetanud pöörlemise**
 - pöörake niiduk ümber
 - seadistage esi- ja tagatelg sobivasse lõikekõrgusse (28, 48 või 68 mm)
 - ! **veenduge, et kõik neli ratas asuvad ühel lõikekõrgusel**
- Turvalüliti (sisse/välja) 14
 - Takistab tööriista tahtmatut käivitamist
 - tööriista sisselülitamisel vajutage kõigepealt ohutuslüliti C ja seejärel tõmmake lukklüliti D
 - tööriista väljalülitamiseks vabastage päästik D
 - ! **pärast tööriista väljalülitamist jätkab tera paari sekundi vältel liikumist**
- Kasutamissoetus
 - hoidke niiduki käepidemest mõlema käega
 - asetage niiduk muruplatsi servale ning alustage niitmist seda edasi liigutades
 - iga pööramise järel tõmmake niidukit enda poole niimoodi, et see sõidaks kergelt üle varasema niidetud riba lõpu
 - kasutage niidukit ainult kuiva muru niitmiseks
 - hoidke niiduk eemal võõrkehadedest ja taimedest
 - kõrge muru niitmisel seadke alguses lõikemehhanism maksimaalsele kõrgusele ning seejärel langetage see madalamale kõrgusele
 - ! **pika muru niitmisel liikuge aeglasemalt**
- "Täis kogumiskasti" märgutuli 15
 - tühjendage kogumiskasti E kohe, kui tiib F iseenesest langeb, mis viitab sellele, et kogumiskast on täis
 - muru optimaalseks kogumiseks tuleb tiiva F all olevat ava regulaarselt käsiharjaga tühjendada
- Hoiuastamine 16
 - ruumi säästmiseks keerake tööriista käepide kokku (kasutades tiibmutrit G) ja hoistage seda näidatud viisil: **esmalt tühjendage kogumiskasti**
 - ! **käepideme üles- ja alliliigutamisel veenduge, et (pikendus-) juhe ei jää kinni (ärge kukutage käepidet maha)**
 - ärge asetage niidukile hoiuastamise ajal muid objekte
 - hoistage niidukit siseruumis kuivades tingimustes

HOOLDUS/TEENINDUS

- Tööriist pole mõeldud professionaalseks kasutamiseks
- Hoidke seade ja toitejuhe alati puhtad (eriti õhutusavad J ③)
- Puhastage niidukit pärast iga kasutuskorda käsiharja ja pehme lapiga
- ! ärge kasutage vett (mitte mingil juhul kõrgsurvepesureid)
- eemaldage lõiketerade juurde kogunenud rohutükid puust või plastist tööriistaga
- Kontrollige regulaarselt kogumiskasti kulumist ja kahjustusi
- Kontrollige regulaarselt, kas terad ja poldid on kulunud või kahjustatud. Hea seisukorra tagamiseks vahetage need koos välja
- Lõiketera asendamine ①
- ! eraldage toitejuhe toiteallikast ja eemaldage kogumiskast E ③
- ! kandke kaitsekindaid
- pöörake niiduk ümber
- eemaldage/paigaldage lõiketera võtmega 13 vastavalt joonisele
- ! kasutage vaid õige tüüpi asenduslõiketerasid (SKIL-i asendusosa number 2610Z04069, märgitud YAT 474 552)
- enne lõiketera kinnitamist puhastage põhjalikult vööli ümbrus ja tööriista alumine pool
- ! lõiketera kinnitamisel jälgige, et kaks ava X ühtivad kõrgendustega Y
- Tööriist on hoolikalt valmistatud ja testitud; kui tööriist sellest hoolimata rikki läheb, tuleb see lasta parandada SKILi elektriliste käsitööriistade volitatud remonditöökojas
- toimetage lahtimonteerimata seade koos ostukviitungiga tarnijale või lähimasse SKILi lepingulise töökotta (aadressid ja tööriista varuosade joonise leiate aadressil www.skil.com)

TÖRKEOTSING

- Järgmises loendis on toodud probleemide tunnused, võimalikud põhjused ja lahendused (kui järgnevad lahendused probleemi ei tuvasta ega lahenda, võtke ühendust edasimüüja või töökojaga)
- ! enne probleemi uurimist lülitage tööriist välja ja eemaldage see voolüüri
- ★ Seade ei tööta
- toidet pole -> kontrollige toidet (toitejuhe, kaitselülitid, sulavkaitsmed)
- toitepistikupesa on vigane -> kasutage teist pistikupesa
- pikendusjuhe on kahjustatud -> asendage pikendusjuhe
- liiga kõrge muru -> suurendage lõikekõrgust ja kallutage tööriista
- ★ Tööriist töötab katkendlikult
- pikendusjuhe on kahjustatud -> asendage pikendusjuhe
- sisemine juhtmestik on vigane -> võtke ühendust müügiesindaja/remonditöökojaga
- ★ Niidetud muru on hakitud või mootor ei taha vedada
- lõikekõrgus liiga madal -> suurendage lõikekõrgust
- lõiketera on nürri -> vahetage lõiketera välja
- niiduki alumine pool on väga ummistunud -> tehke niiduk puhtaks

- lõikekõrgus ei ole ühtlane -> seadke 4 ratast ühele lõikekõrgusele
- ★ Lõiketera on kinni kiilunud -> vabastage lõiketera
- lõiketera mutter/polt on lahti -> keerake mutter/polt kinni
- ★ Tööriist vibreerib ebanormaalselt
- lõiketera on kahjustatud -> vahetage lõiketera välja
- lõiketera mutter/polt on lahti -> keerake mutter/polt kinni

KESKKOND

- Ärge visake kasutuslõikmatuks muutunud elektrilisi tööriistu, lisatarvikuid ja pakendeid ära koos olmejäätmetega (üksnes EL liikmesriikidele)
- vastavalt Euroopa Parlamendi ja nõukogu direktiivile 2002/96/EÜ elektri- ja elektroonikaseadmete jäätmete kohta ning direktiivi nõuete kohaldamisele liikmesriikides tuleb kasutuslõikmatuks muutunud elektrilised tööriistad koguda eraldi ja keskkonnasäästlikult korduvkasutada või ringlusse võtta
- seda meenutab Teile sümbol ①

CE VASTAVUSDEKLARATSIOON

- Kinnitame ainuvastutajana, et punktis "Tehnilised andmed" kirjeldatud toode vastab järgmistele standarditele või normdokumentidele: EN 60335, EN 61000, EN 55014 vastavalt direktiivide 2006/95/EÜ, 2004/108/EÜ, 2006/42/EÜ, 2000/14/EÜ, 2011/65/EL nõuetele
- Tehniline toimik saadaval aadressil: SKIL Europe BV (PT-SEU/ENG1), 4825 BD Breda, NL

Marijn van der Hoofden
Operations & Engineering

Olaf Dijkgraaf
Approvals Manager

SKIL Europe BV, 4825 BD Breda, NL
25.07.2013

CE12

MÜRA/VIBRATSIOON

- Vastavalt kooskõlas normiga EN 60335 läbi viidud mõõtmistele on tööriista helirõhk 73 dB(A) ja helitugevus 93 dB(A) (standardkõrvalekalle: 1,5 dB), ja vibratsioon 2,5 m/s² (kää-randme-meetod; mõõtemääramatus K = 1,5 m/s²)
- Garanteeritud müratase LWA, mis on mõõdetud vastavalt standardile 2000/14/EC (EN/ISO 3744) on väiksem kui 94 dB(A) (vastavuse hindamise meetod vastavalt lisale VI)
- Registreeritud asutus: KEMA, Arnhem, NL
Registreeritud asutuse identifitseerimisnumber: 0344
- Tekkiva vibratsiooni tase on mõõdetud vastavalt standardis EN 60335 kirjeldatud standarditud testile; seda võib kasutada tööriistade võrdlemiseks ja tööriista kasutamisel ettenähtud töödeks esineva vibratsiooni esialgseks hindamiseks
- tööriista kasutamisel muudeks rakendusteks või teiste/halvasti hooldatud tarvikute kasutamisel võib vibratsioon märkimisväärselt suurened

- ajal, kui tööriist on väljalülitatud või on küll sisselülitatud, kuid tegelikult seda ei kasutata, võib vibratsioon märkimisväärselt **vāheneda**
- ! enda kaitsmiseks vibratsiooni eest hoidlage tööriista ja selle tarvikuid korralikult, hoidke oma kāed soojad ja tagage sujuv tōokorraldus**

LV

Zāles plāvējs

0715

IEVADS

- Šis instruments ir paredzēts tikai piemājas zālienu plāušānai
- Šis instruments nav paredzēts profesionālai lietošanai
- Pārbaudiet vai iepakojums satur visas daļas, kā tas parādīts zīmējumā ②
- Ja kāda no plāvēja daļām trūkst vai ir bojāta, lūdzu, sazinieties ar savu izplatītāju
- Montāžas norādījumi ②
 - attēlos redzamo skaitļu secība atbilst veicamo pasākumu secībai zāles plāvēja montāžas laikā
- **! cieši pieskrūvējiet visas skrūves un uzgriežņus**
- Pirms lietošanas rūpīgi izlasiet šos norādījumus un saglabājiet to vēlākai uzziņai ④

TEHNISKIE PARAMETRI ①

INSTRUMENTA ELEMENTI ③

- A Vada ierobežotājs
- B Vada klipsis
- C Drošības slēdzis
- D Ieslēgšanas slēdzis
- E Zāles kaste
- F Indikators "Zāles kaste pilna"
- G Stiprinotais spārnuzgrieznis
- H Transportēšanas rokturis
- J Ventilācijas atveres
- K Aizsmugurējais aizsargs

DROŠĪBA

VISPĀRĒJIE DARBA DROŠĪBAS NOTEIKUMI

⚠ UZMANĪBU! Rūpīgi izlasiet visus drošības noteikumus. Šeit sniegto drošības noteikumu un norādījumu neievērošana var izraisīt aizdegšanos un būt par cēloni elektriskajam triecienam vai nopietnam savainojumam. **Pēc izlasīšanas uzglabājiet šos noteikumus turpmākai izmantošanai.** Turpmākajā izklāstā lietotas apzīmējums "elektroinstrumentus" attiecas gan uz tīkla elektroinstrumentiem (ar elektrokabeli), gan arī uz akumulatora elektroinstrumentiem (bez elektrokabeļa).

1) DROŠĪBA DARBA VIETĀ

- a) **Sekoijiet, lai darba vieta būtu tīra un sakārtota.** Nekārtīgā darba vietā vai sliktā apgaismojumā var viegli notikt nelaimes gadījums.
- b) **Nelietojiet elektroinstrumentu eksplozīvu vai ugunsnedrošu vielu tuvumā un vietās ar**

paaugstinātu gāzes vai putekļu saturu gaisā. Darba laikā instruments nedaudz dzirksteļo, un tas var izsaukt viegli degošu putekļu vai tvaiku aizdegšanos.

- c) **Lietojot elektroinstrumentu, nelaujiet nepiederošām personām un jo īpaši bērniem tuvoties darba vietai.** Citu personu klātbūtne var novērst uzmanību, un tā rezultātā jūs varat zaudēt kontroli pār instrumentu.
- #### 2) ELEKTRODROŠĪBA
- a) **Elektroinstrumenta kontaktakšai jābūt piemērotai elektrotīkla kontaktligzdai. Kontaktakšas konstrukciju nedrīkst nekādā veidā mainīt. Nelietojiet kontaktakšas salāgotājus, ja elektroinstrumentus caur kabeli tiek savienots ar aizsargzemējuma ķēdi.** Neizmainītas konstrukcijas kontaktakša, kas piemērota kontaktligzdai, ļauj samazināt elektriskā trieciena saņemšanas risku.
 - b) **Darba laikā nepieskarieties saņemtiem priekšmetiem, piemēram, caurulēm, radiatoriem, plītiem vai ledusskapjiem.** Pieskaroties saņemtiem virsmām, pieaug risks saņemt elektrisko triecienu.
 - c) **Nelietojiet elektroinstrumentu lietus laikā, neturiet to mitrumā.** Mitrumam iekļūstot instrumentā, pieaug risks saņemt elektrisko triecienu.
 - d) **Nenesiet un nepiekariet elektroinstrumentu aiz elektrokabeļa. Neraujiet aiz kabeļa, ja vēlaties atvienot instrumentu no elektrotīkla kontaktligzdas. Sargājiet elektrokabeli no karstuma, eļļas, asām šķautnēm un instrumenta kustīgajām daļām.** Bojāts vai samezģlojies elektrokabelis var būt par cēloni elektriskajam triecienam.
 - e) **Darbinot elektroinstrumentu ārpus telpām, izmantojiet tā pievienošanai vienīgi tādus pagarinātājkabeļus, kuru lietošana ārpus telpām ir atļauta.** Lietojot elektrokabeli, kas pieņemts darbam ārpus telpām, samazinās risks saņemt elektrisko triecienu.
 - f) **Ja elektroinstrumentu tomēr nepieciešams lietot vietās ar paaugstinātu mitrumu, izmantojiet tā pievienošanai noplūdes strāvas aizsargreleju.** Lietojot noplūdes strāvas aizsargreleju, samazinās risks saņemt elektrisko triecienu.
- #### 3) PERSONISKĀ DROŠĪBA
- a) **Darba laikā saglabājiet paškontroli un rīkojieties saskaņā ar veselo saprātu.** Pārtrauciet darbu, ja jūtaties noguris vai atrodaties alkohola, narkotiku vai medikamentu izraisītā reibumā. Strādājot ar elektroinstrumentu, pat viens neuzmanības mirklis var būt par cēloni nopietnam savainojumam.
 - b) **Izmantojiet individuālos darba aizsardzības līdzekļus un darba laikā vienmēr nēsājiet aizsargbrilles.** Individuālo darba aizsardzības līdzekļu (putekļu maskas, neslīdošu apavu un aizsargķiveres vai ausu aizsargu) pielietošana atbilstoši elektroinstrumenta tipam un veicamā darba raksturam ļauj izvairīties no savainojumiem.
 - c) **Nepieļaujiet elektroinstrumenta patvaļīgu ieslēgšanos.** Pirms elektroinstrumenta pievienošanas elektrotīklam, akumulatora ievietošanas vai izņemšanas, kā arī pirms elektroinstrumenta pārņemšanas pārliecinieties, ka tas ir izslēgts. Pārnesot elektroinstrumentu, ja

- pirksts atrodas uz ieslēdzēja, kā arī pievienojot to elektrobarošanas avotam laikā, kad elektroinstrumenti ir ieslēgti, var viegli notikt nelaimes gadījums.
- d) **Pirms instrumenta ieslēgšanas neizmirstiet izņemt no tā regulējošos instrumentus vai skrūvjatslēgas.** Patronatslēga vai skrūvjatslēga, kas instrumenta ieslēgšanas brīdī nav izņemta no tā, var radīt savainojumu.
 - e) **Strādājot ar elektroinstrumentu, ieturiet stingru stāju. Darba laikā vienmēr saglabāiet līdzsvaru un centieties nepaslidēt.** Tas atvieglos instrumenta vadību neparedzētās situācijās.
 - f) **Izvēlieties darbam piemērotu apģērbu.** Darba laikā nenēsājiet brīvi plandošas drēbes un rotaslietas. Netuviniet matus, apģērbu un aizsargcimdus instrumenta kustīgajām daļām. Valīgas drēbes, rotaslietas un kuri mati var iekerties instrumenta kustīgajās daļās.
 - g) **Ja elektroinstrumenta konstrukcija ļauj tam pievienot ārējo putekļu uzsūkšanas vai savākšanas/uzkrāšanas ierīci, sekojiet, lai tā tiktu pievienota elektroinstrumentam un pareizi darbotos.** Pielietojot putekļu uzsūkšanu vai savākšanu/uzkrāšanu, samazinās to kaitīgā ietekme uz strādājošās personas veselību.
 - 4) **ELEKTROINSTRUMENTU LIETOŠANA UN APKOPE**
 - a) **Nepārslogojiet elektroinstrumentu. Katram darbam izvēlieties piemērotu instrumentu.** Elektroinstrumenti darbosies labāk un drošāk pie nominālās slodzes.
 - b) **Nelietojiet elektroinstrumentu, ja ir bojāts tā ieslēdzējs.** Elektroinstrumenti, ko nevar ieslēgt un izslēgt, ir bīstami lietošanai un to nepieciešams remontēt.
 - c) **Pirms elektroinstrumenta apkopes, regulēšanas vai darbinstrumenta nomainīšanas atvienojiet tā kontaktakšu no barojošā elektrotīkla vai izņemiet no tā akumulatoru.** Šādi iespējams samazināt elektroinstrumenta nejaušanas ieslēgšanās risku.
 - d) **Elektroinstrumentu, kas netiek darbināts, uzglabāiet piemērotā vietā, kur tas nav sasniedzams bērniem un personām, kuras neprot rīkoties ar instrumentu.** Ja elektroinstrumentu lieto nekompetentas personas, tas var apdraudēt cilvēku veselību.
 - e) **Rūpīgi veiciet elektroinstrumenta apkalpošanu. Pārbaudiet, vai kustīgās daļas darbojas bez traucējumiem un nav iespīlētas, vai kāda no daļām nav salauzta vai bojāta, vai katra no tām pareizi funkcionē un pilda tai paredzēto uzdevumu. Nodrošiniet, lai bojātās daļas tiktu savlaicīgi nomainītas vai remontētas pilnvarotā remontu darbnīcā.** Daudzi nelaimes gadījumi notiek tāpēc, ka elektroinstrumenti pirms lietošanas nav pienācīgi apkalpoti.
 - f) **Savlaicīgi notīriet un uzasiniet griezošos darbinstrumentus.** Rūpīgi kopti instrumenti, kas apgādāti ar asiem griezējinstrumentiem, ļauj strādāt daudz ražīgāk un ir vieglāk vadāmi.
 - g) **Lietojiet vienīgi tādus elektroinstrumentus, papildpiederumus, darbinstrumentus utt., kas paredzēti attiecīgajam pielietojuma veidam. Bez**

tam jāņem vērā arī konkrētie darba apstākļi un pielietojuma īpatnības. Elektroinstrumentu lietošana citiem mērķiem, nekā to ir paredzējusi ražotājfirma, ir bīstama un var novest pie neparedzamām sekām.

5) APKALPOŠANA

- a) **Nodrošiniet, lai Instrumenta remontu veiktu kvalificēts personāls, nomaīnai izmantojot oriģinālās rezerves daļas un piederumus.** Tikai tā iespējams panākt instrumenta ilgstošu un nevainojamu darbību bez atteikumiem.

ĪPAŠI DROŠĪBAS NORĀDĪJUMI ZĀLES PLĀVĒJIEM

DARBARĪKA SIMBOLU SKAIDROJUMS

- ④ Pirms izstrādājuma lietošanas izlasiet tā lietošanas pamācību
- ⑤ Divkārsa izolācija (nav jālieto zemējuma vads)
- ⑥ **Pievērsiet uzmanību savainošanās briesmām, ko rada apkārtlidojošās atdalījušās daļiņas** (klātesošajiem jāatrodas drošā attālumā no darba zonas)
- ⑦ Uzmanieties no asajiem asmeņiem
- ⑧ Nodrošiniet, lai (pagarinātāja) vads neatrastos rotējošā griešanas asmens tuvumā
- ⑨ Griešanas asmens turpina neilgu laiku griezties pēc tam, kad instruments ir izslēgts (**nepieskarities rotējošajam asmenim**)
- ⑩ Izslēdziet instrumentu un atvienojiet kontaktakšu pirms tīrīšanas/apkopes vai ja (pagarinājuma) vads ir bojāts vai sapinies
- ⑪ Neizmēģiniet nolietoto instrumentu sadzīves atkritumu tvertne

VISPĀRĒJIE DROŠĪBAS NOTEIKUMI

- Izvairieties no plāvēja darbināšanas uz mitriem mauriņiem
- Lietotājs ir atbildīgs par negadījumiem vai apdraudējumiem, kas notiek ar citiem cilvēkiem vai viņu mantu
- Nekad nedarbiniet instrumentu, ja tam bojāts aizmugurējais aizsargs vai zāles kaste
- Darbinot instrumentu bez zāles kastes, pārliecinieties, ka aizmugurējais aizsargs atrodas aizvērtā pozīcijā (**pastāv risks savainoties ar rotējošo griešanas asmeni**)
- Vienmēr atvienojiet kontaktakšu no strāvas avota
 - kad atstājat instrumentu bez uzraudzības
 - pirms iesprūduša materiāla tīrīšanas
 - pirms pārbaudes, tīrīšanas vai darbībām ar instrumentu
 - pēc trieciena pa svešķermeni
 - kad instruments sāk pārmērīgi vibrēt

ELEKTRODROŠĪBA

- Periodiski pārbaudiet kabeli un, atklājot bojājumu, tā nomaīņu drīkst veikt tikai pieredzējis speciālists
- Kad darbarīks darbojas mitrā vidē, lietojiet strāvas noplūdes drošinātāju (RCD) ar 30 mA maksimālo atslēgšanas strāvu
- Lietojiet pilnīgi atītus un drošus pagarinātājkaabeļus, kas paredzēti 16 A strāvai
- Izmantojiet tikai H05VV-F vai H05RN-F tipu pagarinātāja vadu, kas ir paredzēts izmantošanai ārpus telpām un aprīkots ar ūdensizturīgu kontaktspraudni un savienošanas kontaktligzdu

- Nedrīkst (pagarinājuma) vadam braukt pāri, nedrīkst to saspīest vai izvilkēt
- Sargājiet (pagarinājuma) vadu no karstuma, eļļas un asām apmalēm
- Periodiski pārbaudiet pagarinātāja vadu un nomainiet to, ja tas bojāts (**nepiemērots pagarinājuma vads var būt bīstams**)

PERSONISKĀ DROŠĪBA

- Nelietojiet instrumentu, ja esat basām kājām vai valkājāt atvērtas sandales, vienmēr valkājiet stingrus apavus un garās bikses
- Iepazīstieties ar instrumenta vadību un pareizu lietošanu
- Nekad neplaujiet, ja tuvumā ir citas personas (īpaši bērni) un dzīvnieki
- **Nekad netuviniet rokas un kājas zāles plāvēja rotējošajām daļām**
- **Vienmēr turieties drošā attālumā no izlādes atveres**
- Ieslēdziet motoru atbilstoši instrukcijām un turiet kājas drošā attālumā no griešanas asmens
- **Šis instruments nav paredzēts ekspluatēt personām (tostarp bērniem) ar ierobežotām fiziskām, uztveres vai garīgām spējām, kā arī tiem, kuriem nav vajadzīgās pieredzes un zināšanu, ja vien persona, kas atbild par drošību, viņus neuzrauga vai nesniedz norādījumus par šī instrumenta lietošanu** (vietējā likumdošana var ierobežot lietotāja vecumu)
- Uzmaniet, lai bērni nespēlētu ar šo instrumentu
- Darbiniet zāles plāvēju tikai iešanas ātrumā (neskrieniet)
- Sauglabājiet droši stabilu stāvokli nogāzēs un neplaujiet īpaši stāvās vietās
- Esiet īpaši uzmanīgi, kad virzāties uz aizmuguri vai velkat zāles plāvēju savā virzienā

PIRMS DARBA UZSĀKŠANAS

- Ik reizi pirms instrumenta izmantošanas pārbaudiet tā darbību un, konstatējot bojājumu, nekavējoties nododiet to kvalificētam speciālistam remonta veikšanai; neatveriet instrumenta korpusu paša spēkiem
- Uzmanīgi pārbaudiet laukumu, kurā tiks izmantots zāles plāvējs, un atbrīvojiet to no cietiem objektiem, kurus var aizķert un mest griešanas mehānisms
- Vienmēr pārliecinieties, vai griešanas mehānisms ir labā darba kārtībā (nomainiet nodilušās vai bojātās daļas)
- Pārliecinieties, ka visi bultskrūves, uzgriežņi un skrūves ir pievilkti, lai būtu drošs, ka zāles plāvējs ir drošā darba stāvoklī

DARBA LAIKĀ

- Plaujiet tikai pie pietiekamas dienas gaismas vai atbilstošā maksīgajā apgaismojumā
- Nenolieciet instrumentu palaižot vai ieslēdzot motoru, izņemot gadījumus, ja instruments ir jānoliec, lai sāktu darbu garā zālē (šādā gadījumā nenolieciet to vairāk, kā tas nepieciešams, un nolieciet tikai to daļu, kas atrodas prom no lietotāja); vienmēr pārliecinieties, ka rokas atrodas pareizā lietošanas pozīcijā, pirms atgriežat instrumentu uz zemes
- Pārliecinieties, ka griešanas asmens ir pilnībā apstājies, kad noliecat instrumentu, lai šķērsotu virsmas, kas nav zāle, un pārvietojot to uz un no zonas, kas tiks plauta
- Plaujiet šķērsām nogāžu virsmām (nekad nedariet to uz augšu un uz leju)
- Esiet īpaši uzmanīgi, kad uz nogāzēm maināt virzienu
- Nekad nepaceliet un nepārnēsājiet zāles plāvēju, kad darbojās tā motors
- Vienmēr izslēdziet instrumentu un atvienojiet kontaktdakšu no strāvas avota, ja barošanas vads

vai pagarinātājs ir sagriezti, bojāti vai sapinušies (**nepieskarieties kabeli pirms atvienota kontaktdakša**)

- Neizmantojiet instrumentu, ja tam ir bojāts elektrokabelis; tā nomainīšanu drīkst veikt tikai pieredzējis speciālists

DARBS

- Vada ierobežotājs ¹²
 - satver aiz pagarinātāja vada cilpas fiksētājā A, kā parādīts
 - stingri pievelciet, lai pagarinātāja vadu nostiprinātu
- Griešanas augstuma regulēšana (28-48-68 mm) ¹³
 - ! **atvienojiet kontaktdakšu no strāvas avota un pārliecinieties, ka griešanas asmens ir beidzis rotēt**
 - apgrieziet zāles plāvēju otrādi
 - novietojiet priekšējo riteņu asi un aizmugurējo riteņu asi vēlamajā griešanas augstuma pozīcijā (28, 48 vai 68 mm)
 - ! **pārliecinieties, lai visi četri riteņi būtu fiksēti vienā griešanas augstuma pozīcijā**
- Ieslēgšanas/izslēgšanas šības slēdža ¹⁴
 - Novērs darbarīka nejausu ieslēgšanu
 - ieslēdziet instrumentu, vispirms piespiežot drošības slēdzi C un tad pavelkot sprūda slēdzi D
 - izslēdziet instrumentu, atlaižot ieslēdzēju D
 - ! **pēc instrumenta izslēgšanas asmens dažas sekundes turpina rotēt**
- Eksploataācijas norādījumi
 - turiet zāles plāvēju ar abām rokām
 - novietojiet zāles plāvēju zālāja malā un plaujiet virzienā uz priekšu
 - katrā gājiena beigās pavirzieties atpakaļ, lai nedaudz pārvietotos pa jau nopļauto joslu
 - izmantojiet zāles plāvēju tikai uz sausas zāles
 - netuviniet zāles plāvēju cietiem objektiem un augiem
 - lai novīnātu garu zāli, sākumā iestatiet griešanas mehānismu uz maksimālo griešanas augstumu, tad uz zemāku griešanas augstumu
 - ! **plaujot garu zāli atbilstoši pielāgojiet savu iešanas tempu**
- Indikators "Zāles kaste pilna" ¹⁵
 - iztukšojiet zāles kasti E, tiklīdz ventilis F pats no sevis aizveras, norādot, ka zāles kaste ir pilna
 - optimālai zāles savākšanai regulāri ar rokas birsti tīriet caurumus zem ventilā F
- Uzglabāšana ¹⁶
 - lai ievērojami ietaupītu uzglabāšanas vietu, salokiet instrumenta rokturi (izmantojot spārnuzgriezni G) un uzglabājiet instrumentu, kā tas norādīts zīmējumā; **sākumā iztukšojiet zāles kasti**
 - ! **salokot/atlokot instrumenta rokturi, pārliecinieties, vai (pagarinātāja) vads nav iesprūdis (nenometiet rokturi)**
 - uzglabāšanas laikā nenovietojiet uz zāles plāvēja nekādus citus objektus
 - uzglabājiet zāles plāvēju telpās, sausā vietā

APKALPOŠANA / APKOPE

- Šis darbarīks nav paredzēts profesionālai lietošanai
- Uzturiet tīru instrumentu un elektrokabeli (īpaši

- ventilācijas atveres J ③)
- Pēc katras izmantošanas tīriet zāles plāvēju ar rokas birsti un mīkstu drāniņu
- ! **neizmantojiet ūdeni (īpaši augstspiediena strūkļas)**
- atbrīvojiet asmeņus no iestrēgušas nogrieztās zāles, izmantojot koka vai plastmasas instrumentu
- Regulāri pārbaudiet zāles kasti, vai tā nav nodilusi vai bojāta
- Regulāri pārbaudiet vai asmeņi un skrūves nav nodilušas vai bojātas un, lai saglabātu balansu, veiciet to nomainītu komplektos
- Griešanas asmens nomainīta ①
- ! **atvienojiet kontaktspraudni no strāvas avota un noņemiet zāles kasti E ③**
- ! **darba laikā uzvelciet aizsargcimdus**
- apgrieziet zāles plāvēju otrādi
- noņemiet/montējiet griešanas asmeni ar 13. atslēgu, kā parādīts zīmējumā
- ! **nomainīta izmantojiet tikai pareizā veida griešanas asmeņus (SKIL rezerves daļas numurs 2610Z04069, marķējums YAT 474 552)**
- rūpīgi notīriet turētājapveres laukumu un instrumenta apakšpusi pirms veicat griešanas asmens montāžu
- ! **montējot griešanas asmeni, pārliecinieties, ka divi caurumi, kas apzīmēti ar X, ideāli atbilst diviem izciļņiem, kas apzīmēti ar Y**
- Ja, neraugoties uz augsto izgatavošanas kvalitāti un rūpīgo pērcāzošanas pārbaudi, instruments tomēr sabojājas, tas jānogādā remontam firmas SKIL pilnvarotā elektroinstrumentu remonta darbnīcā
- nogādājiet instrumentu **neizjauktā veidā** kopā ar iegādēto dokumentiem tuvākajā tirdzniecības vietā vai firmas SKIL pilnvarotā pēciegādes apkalpošanas un remonta iestādē (adreses un instrumenta apkalpošanas shēma ir sniegta interneta vietnē www.skil.com)

TRAUCĒJUMU NOVĒRŠANA

- Šajā sarakstā ir uzskaitītas problēmas, iespējamie cēloņi un korektīvie pasākumi (ja tās nevar atklāt un novērst šo problēmu, sazinieties ar izplatītāju vai tehniskās apkopes staciju)
- ! **pirms sākt problēmas izpēti, izslēdziet instrumentu un atvienojiet spraudni**
- ★ Instruments nedarbojas
- nav barošanas strāvas -> pārbaudiet barošanas strāvu (strāvas kabeli, automātiskos slēdžus, drošinātājus)
- bojāta strāvas padeves kontaktlīdziņa -> lietojiet citu kontaktlīdziņu
- bojāts pagarinājuma vads -> nomainiet pagarinājuma vadu
- zāle ir pārāk gara -> palieliniet griešanas augstumu un nolieciet instrumentu
- ★ Darbarīks strādā ar pārtraukumiem
- bojāts pagarinājuma vads -> nomainiet pagarinājuma vadu
- defekts iekšējā vadījumā -> sazinieties ar izplatītāju/tehniskās apkopes staciju
- ★ Pēc plaušanas paliek nevienmērīgi noplauti lauki vai instrumenta motors strādā ar pārāk lielu piepūli
- griešanas augstums ir pārāk zems -> palieliniet griešanas augstumu
- griešanas asmens ir neass -> nomainiet griešanas asmeni

- instrumenta apakšpuse ir spēcīgi nosprostojusies -> veiciet instrumenta tīrīšanu
- griešanas augstums nav vienmērīgs -> iestatiet 4 rīteņus vienā un tajā pašā griešanas augstumā
- ★ Griešanas asmens negriežas
- griešanas asmens ir nosprostoies -> atbrīvojiet to no nosprostojuša
- nav pievilktā asmens skrūve/uzgrieznis -> pievelciet asmens skrūvi/uzgriezni
- ★ Instruments pārmērīgi vibrē
- griešanas asmens ir bojāts -> nomainiet griešanas asmeni
- nav pievilktā asmens skrūve/uzgrieznis -> pievelciet asmens skrūvi/uzgriezni

APKĀRTĒJĀS VIDES AIZSARDZĪBA

- **Neizmetiet elektroiekārtas, piederumus un iesaiņojuma materiālus sadzīves atkritumos** (tikai ES valstīm)
- saskaņā ar Eiropas Savienības direktīvu 2002/96/ES par nolietotajām elektriskajām un elektroniskajām iekārtām un tās atspoguļojumiem nacionālajā likumdošanā, nolietotās elektroiekārtas ir jāsavāc, jāizjauca un jānogādā atsevišķai pārstrādei apkārtējai videi nekaitīgā veidā
- īpašs simbols ① atgādina par nepieciešamību izstrādājumus izmantot videi nekaitīgā veidā

CE ATBILSTĪBAS DEKLARĀCIJA

- Mēs ar pilnu atbildību paziņojam, ka šajā "Tehniskie parametri" aprakstītais izstrādājums atbilst šādiem standartiem vai normatīvajiem dokumentiem: EN 60335, EN 61000, EN 55014, kā arī direktīvām 2006/95/EK, 2004/108/EK, 2006/42/EK, 2000/14/EK, 2011/65/ES
- **Tehniskā dokumentācija no:** SKIL Europe BV (PT-SEU/ENG1), 4825 BD Breda, NL

Marijn van der Hoofden Olaf Dijkgraaf
Operations & Engineering Approvals Manager




SKIL Europe BV, 4825 BD Breda, NL
25.07.2013

CE12

TROKSNIS/VIBRĀCIJA

- Saskaņā ar standartu EN 60335 noteiktais instrumenta radītā trokšņa skaņas spiediena līmenis ir 73 dB(A) un skaņas jaudas līmenis ir 93 dB(A) (pie tipiskās izkliedes 1,5 dB), un vibrācijas paātrinājums ir 2,5 m/s² (roku-delnu metode; izkliede K = 1,5 m/s²)
- Mērīts saskaņā ar Direktīvu 2000/14/EK (EN/ISO 3744) garantētais skaņas jaudas līmenis LWA ir zemāks nekā 94 dB (A) (atbilstība ir noteikta saskaņā ar pielikumu VI) Pilnvarotā iestāde : KEMA, Arnhem, NL
- Pilnvarotās iestādes identifikācijas numurs : 0344
- Vibrācijas līmenis ir noteikts, izmantojot standartā EN 60335 paredzēto procedūru; to var izmantot, lai salīdzinātu instrumentus un provizoriski izvērtētu vibrācijas iedarbību, lietojot instrumentu minētajiem mērķiem
- instrumenta izmantošana citiem mērķiem vai ar citiem vai nepietiekami koptiem piederumiem var ievērojami

palielināt kopējo vibrācijas iedarbības pakāpi

- laika periodi, kad instruments ir izslēgts vai arī ir ieslēgts, taču darbs ar to nenotiek, var ievērojami samazināt kopējo vibrācijas iedarbības pakāpi

! pasargājiet sevi no vibrācijas iedarbības, veicot instrumenta un tā piederumu tehnisko apkopi, novēršot roku atdzišanu un pareizi organizējot darbu

LT

Veļapjovē

0715

ĪVADAS

- Šis prietaiss skirtas pļauti tik veļas prie namu
- Šis prietaiss neskirtas profesionāliam naudojumui
- Tikrīnkite, ar pakuotēje yra visos daly, vaizduojamos ② pav
- Jei trūksta dalių arba jos yra pažeistos, susisiekitė su savo pardavėju
- Surinkimo instrukcijos ②
 - brėžinyje pateiktų skaičių seka atitinka veļapjovės surinkimo veiksmų seką
- ! tvirtai prisukite visus varžtus ir veržles
- Atidžiai perskaitykite šį vartotojo vadovą ir išsaugokite jį ateičiai ④

TECHNINIAI DUOMENYS ①

PRIETAISO ELEMENTAI ③

- A Laido laikiklis
- B Laido apkaba
- C Apsauginis jungiklis
- D Gaiduko jungiklis
- E Žolės surinkimo dėžutė
- F Pilnos žolės dėžės indikatorius
- G Apsauginė sparnuotoji veržlė
- H Rankena, skirta įrankiui nešti
- J Ventilacinės angos
- K Užpakalinis gaubtas

SAUGA

BENDROSIOS DARBO SAUGOS INSTRUKCIJOS

⚠ DĖMESIO! Perskaitykite visas šias saugos nuorodas ir reikalavimus. Jei nepaisysite žemiau pateiktų saugos nuorodų ir reikalavimų, gali trenkti elektros smūgis, kilti gaisras ir/arba galite sunkiai susižaloti arba sužaloti kitus asmenis. **Išsaugokite šias saugos nuorodas ir reikalavimus, kad ir ateityje galėtumėte jais pasinaudoti.** Toliau pateiktame tekste vartojama sąvoka "elektrinis įrankis" apibūdina įrankius, maitinamus iš elektros tinklo (su maitinimo laidu), ir akumuliatorinius įrankius (be maitinimo laido).

1) DARBO VIETOS SAUGUMAS

- a) Darbo vieta turi būti švari ir tvarkinga. Tinkama ar blogai apšviesta darbo vieta gali tapti nelaimingų atsitikimų priežastimi.

- b) **Nedirbkite tokioje aplinkoje, kur yra degių skysčių, dujų ar dulkių.** Elektriniai įrankiai gali kibirkščiuoti, o nuo kibirkščių dulkės arba susikaupę garai gali užsidegti.
- c) **Dirbdami su elektriniu įrankiu neleiskite šalia būti žiušovams, vaikams ir lankytojams.** Nukreipę dėmesį į kitus asmenis galite nebesuvaldyti prietaiso.

2) ELEKTROSAUGA

- a) **Maitinimo laido kištukas turi atitikti tinklo rozetės tipą.** Kištuko jokiū būdu negalima modifikuoti. **Nenaudokite jokių kištuko adapterių su žemintais prietaisais.** Originalūs kištukai, tiksliai tinkantys elektros tinklo rozetei, sumažina elektros smūgio pavojų.
 - b) **Venkite kūno kontakto su žemintais paviršiais, tokiais kaip vamzdžiai, šildytuvai, viryklės ar šaldytuvai.** Egzistuoja padidinta elektros smūgio rizika, jei Jūsų kūnas bus žemintas.
 - c) **Saugokite prietaisą nuo lietaus ir drėgmės.** Jei vanduo patenka į elektrinį prietaisą, padidėja elektros smūgio rizika.
 - d) **Nenaudokite maitinimo laido ne pagal paskirtį, t. y. neneškite prietaiso paėmę už laido, nekabinkite prietaiso už laido, netraukite už jo, norėdami išjungti kištuką iš rozetės. Laidą klokite taip, kad jo neveiktų karštis, jis neišsitemptų alyva ir jo nepažeistų aštrios detalės ar judančios prietaiso dalys.** Pažeisti arba susipynę laidai gali tapti elektros smūgio priežastimi.
 - e) **Jei su elektriniu įrankiu dirbate lauke, naudokite tik tokius ilginimo kabelius, kurie tinka lauko darbams.** Naudojant lauko darbams pritaikytus ilginimo kabelius, sumažinamas elektros smūgio pavojus.
 - f) **Jei su elektriniu įrankiu neišvengiamai reikia dirbti drėgnoje aplinkoje, naudokite žeminimo grandinės pertraukiklį.** Naudojant žeminimo grandinės pertraukiklį, sumažėja elektros smūgio pavojus.
- #### 3) ŽMONIŲ SAUGA
- a) **Būkite atidūs, sutelkite dėmesį į tai, ką Jūs darote ir, dirbdami su elektriniu įrankiu, vadovaukitės sveiku protu. Nedirbkite su prietaisu, jei esate pavargę arba vartojote narkotikus, alkoholį ar medikamentus.** Akimirksnio neatidumas naudojant prietaisą gali tapti rimtų sužalojimų priežastimi.
 - b) **Naudokite asmenines apsaugos priemones ir visuomet užsidėkite apsauginius akinius.** Naudojant asmenines apsaugos priemones, pvz., respiratorių ar apsauginę kaukę, neslystančius batus, apsauginį šalną, klausos apsaugos priemones ir kt., rekomenduojamas dirbant su tam tikros rūšies įrankiais, sumažėja rizika susižeisti.
 - c) **Saugokitės, kad neįjungtumėte prietaiso atsitiktinai. Prieš prijungdami elektrinį įrankį prie elektros tinklo ir/arba akumulatoriaus, prieš pakeldami ar nešdami išitinkinkite, kad jis yra išjungtas.** Jeigu nešdami elektrinį įrankį pirštų laikysite ant jungiklio arba prietaisą įjungsitė į elektros tinklą, kai jungiklis yra įjungtas, gali įvykti nelaimingas atsitikimas.
 - d) **Prieš įjungdami prietaisą pašalinkite reguliavimo įrankius arba veržlių raktus.** Prietaiso besisukančioje dalyje esantis įrankis ar raktas gali tapti sužalojimų priežastimi.
 - e) **Nepervertinkite savo galimybių. Dirbdami**

- atsistokite patikimai ir visada išlaikykite pusiausvyrą.** Patikima stovėseną ir tinkamą kūno laikyseną leis geriau kontroliuoti prietaisą netikėtose situacijose.
- f) **Dėvėkite tinkamą aprangą. Nedėvėkite plačių drabužių ir papuošalų. Saugokite plaukus, drabužius ir pirštines nuo besisukančių prietaiso dalių.** Laisvus drabužius, papuošalus bei ilgus plaukus gali įtraukti besisukančios dalys.
- g) **Jei yra numatyta galimybė prijungti dulkių nusiurbimo ar surinkimo įrenginius, visada įsitikinkite, ar jie yra prijungti ir ar teisingai naudojami.** Naudojant dulkių nusiurbimo įrenginius sumažėja kenksmingas dulkių poveikis.
- 4) **RŪPESTINGA ELEKTRINIŲ ĮRANKIŲ PRIEŽIŪRA IR NAUDOJIMAS**
- a) **Neperkraukite prietaiso. Naudokite Jūsų darbu tinkamą elektrinį įrankį.** Su tinkamu elektriniu įrankiu Jūs dirbsite geriau ir saugiau, jei neviršysite nurodyto galimumo.
- b) **Nenaudokite elektrinio įrankio su sugedusiu jungikliu.** Elektrinis įrankis, kurio nebegalima įjungti ar išjungti, yra pavojingas ir jį reikia remontuoti.
- c) **Prieš reguliuodami prietaisą, keisdami darbo įrankius ar prieš valydami prietaisą, iš elektros tinklo lizdo ištraukite kištuką ir/arba išimkite akumuliatorių.** Ši saugomo priemonė apsaugos jus nuo netikėto prietaiso įsijungimo.
- d) **Nenaudojamą prietaisą sandėliuokite vaikams ir nemokantiems juo naudotis asmenims neprieinamoje vietoje.** Elektriniai įrankiai yra pavojingi, kai juos naudoja nepatyrę asmenys.
- e) **Rūpestingai prižiūrėkite prietaisą. Tikrinkite, ar besisukančios prietaiso dalys tinkamai veikia ir niekur nekliūva, ar nėra sulūžusių ar šiaip pažeistų dalių, kurios įtakotų prietaiso veikimą.** Prieš vėl naudojant prietaisą pažeistos prietaiso dalys turi būti suremontuotos. Daugelio nelaimingų atsitikimų priežastis yra blogai prižiūrimi elektriniai įrankiai.
- f) **Pjovimo įrankiai turi būti aštrūs ir švarūs.** Rūpestingai prižiūrėti pjovimo įrankiai su aštriomis pjaunamosiomis briaunomis mažiau stringa ir juos yra lengviau valdyti.
- g) **Elektrinį įrankį, papildomą įrangą, darbo įrankius ir t. t. naudokite taip, kaip nurodyta šioje instrukcijoje. Taip pat atsižvelkite į darbo sąlygas bei atliekamo darbo pobūdį.** Naudojant elektrinius įrankius ne pagal jų paskirtį galima sukelti pavojingas situacijas.
- 5) **APTARNAVIMAS**
- a) **Prietaisą turi remontuoti tik kvalifikuotas specialistas ir naudoti tik originalias atsargines dalis.** Taip galima garantuoti, jog prietaisas išliks saugus.

SPECIALŪS DARBO SU VEJAPJOVĖMIS SAUGOS NURODYMAI

ANT PRIETAISO ESANČIŲ SIMBOLIŲ REIKŠMĖS

- ④ Prieš naudodami įrankį perskaitykite instrukcijų vadovą
- ⑤ Dviguba izoliacija (įžeminimo laido nereikia)
- ⑥ **Paisykite skriejančių šiuکشlių keliamo pavojaus sveikatai** (pasirūpinkite, kad žmonės būtų saugiai atstumu nuo darbo zonos)

- ⑦ Būkite atsargūs, nes asmenys labai aštrūs
- ⑧ Saugokite, kad besisukančiomis ašmenimis neužkliudytumėte laido ar ilginamojo kabelio
- ⑨ Išjungus prietaisą, ašmenys dar kurį laiką sukasi **(nelieskite besisukančių ašmenų)**
- ⑩ Prieš valydami ar atlikdami priežiūrą arba jei pažeistas ar susipainiojęs maitinimo laidas ar ilginamasis kabelis, išjunkite maitinimą ir ištraukite maitinimo laido kištuką iš elektros tinklo lizdo
- ⑪ Nemeskite prietaisais į buitinių atliekų konteinerius

BENDROJI DALIS

- Nepjunkite vejojame drėgnos žolės
- Už nelaimingus atsitikimus ir kitų žmonių sveikatai ar turtui padarytą žalą atsako prietaiso naudotojas
- Nedirbkite prietaisu, jei pažeistas užpakalinis gaubtas ar žolės surinkimo dėžė
- Dirbdami prietaisu be žolės surinkimo dėžės įsitikinkite, kad užpakalinis gaubtas yra uždarytas **(nes besisukantys ašmenys kelia pavojų)**
- Būtinai ištraukite kištuką iš elektros tinklo lizdo
 - prieš palikdami prietaisą be priežiūros
 - prieš valydami įstrigusias medžiagas
 - prieš prietaisą tikrindami, valydami ar tvarkydami
 - atsitrenkę į pašalinį daiktą
 - prietaisui pradėjus neįprastai vibruoti

ELEKTROSAUGA

- Periodiškai tikrinkite kabelius ir pažeistus kabelius turi pakeisti kvalifikuotas elektrikas
- Jei prietaisu dirbate drėgnoje aplinkoje, naudokite liekamosios srovės prietaisą (RCD), kurio suveikimo srovės stiprumas ne didesnis kaip 30 mA
- Naudodami ilginamuosius kabelius atkreipkite dėmesį į tai, kad kabelis būtų iki galo išvyniotas ir būtų pritaikytas 16 A elektros srovei
- Naudokite tik lauko darbams skirtus ilginamuosius kabelius H05VV-F ar H05RN-F su vandeniui nelaidžiais kištukais ir lizdais
- Laido (ir ilginamojo kabelio) nespauskite, netraukite, ant jo nelipkite ir nevažiukite
- Laidą (ir ilginamąjį kabelį) saugokite nuo karščio, tepalų ir aštrių briaunų
- Periodiškai tikrinkite ir, jei sugadintas, keiskite ilginamąjį kabelį **(naudoti netinkamos būklės ilginamuosius kabelius gali būti pavojinga)**

ŽMONIŲ SAUGA

- Prietaisu nedirbkite basi ar avėdami atviras basutes; būtinai mėvėkite ilgus kelnes, avėkite tvirtus batus
- Išsiaiškinkite prietaiso valdiklius ir tinkamą paskirtį
- Niekada nepjunkite, kai šalia yra žmonių (ypač vaikų) ar gyvūnų
- **Niekada neikiškite rankų ir kojų prie besisukančių dalių**
- **Visada laikykites atokiau išmetamosios angos**
- Variklį junkite pagal instrukcijas ir saugokite pėdas nuo ašmenų
- Šis prietaisas nėra skirtas naudotis asmenims (įskaitant vaikus), kurie turi menkes fizinius, jutimų ar psichikos sugebėjimus arba kurie stokoja patirties ir žinių; tokius asmenis turi prižiūrėti už jų saugą atsakingas asmuo arba jis turi jiems suteikti instrukcijas dėl prietaiso naudojimo (vietos įstatymai gali riboti vejojamę naudojančio asmens amžių)
- Pasirūpinkite, kad vaikai nežaistų su prietaisu

- Pjaudami žolę tik vaikščiokite (nebėkite)
- Pjaudami šlaitus gerai atsiremkite ir nepjaukite itin nuožolinių šlaitų
- Būkite itin atsargūs judėdami atgal ar traukdami prie savęs vejąpovę

PRIEŠ EKSPLOATACIJĄ

- Prieš kiekvieną naudojimą patikrinkite, ar prietaisas neprikaištingai veikia; atsiradus gedimui, kreipkitės į kvalifikuotą specialistą; prietaiso niekuomet neardykite patys
- Atidžiai apžiūrėkite plotą, kur naudosite vejąpovę, ir pašalinkite visus sunkius objektus, kuriuos pjovimo mechanizmas gali įtraukti ir išmesti
- Visada patikrinkite, ar pjovimo mechanizmas yra geros darbinės būklės (visos nusidėvėjusios ir pažeistos dalys pakeistos)
- Visus varžtus, veržles ir movas tvirtai priveržkite, kad užtikrintumėte saugią vejąpovės darbinę būklę

EKSPLOATACIJA

- Pjaukite tik esant dienos šviesai ar pakankamam dirbtiniam apšvietimui
- Įjungdami variklį nekelkite prietaiso, išskyrus atvejus, kai jungiate jį vietoje, kur yra aukštos žolės (tokiu atveju nekelkite jo daugiau nei būtina ir kelkite tik tą dalį, kuri yra toliau nuo jūsų); nuleidžiant prietaisą ant žemės abi rankos turi būti darbinės padėties
- Prieš pakeldami prietaisą, kai reikia kirsti žolės neapaudusius plotus ar kai pernešate jį į darbo vietą ar iš jos, įsitinkinkite, kad ašmenys visiškai sustojo
- Pjaukite palei šlaitus (niekada nepjaukite leisdamiės ar kildami šlaitu)
- Būkite itin atsargus keisdami kryptį šlaite
- Niekada nekelkite ir neneškite vejąpovės įjungtu varikliu
- Jei maitinimo laidas arba ilginamasis kabelis įpjautas, pažeistas arba susipainiojęs, būtinai išjunkite prietaisą ir ištraukite maitinimo laidą kištuką iš elektros tinklo lizdo (**prieš ištraukdami kištuką nelieskite kabelio**)
- Prietaisą su pažeistu kabeliu naudoti draudžiama; jį turi pakeisti kvalifikuotas elektrikas

NAUDOJIMAS

- Laido laikiklis ⑫
 - kaip vaizduojama paveiksle, ilginamojo kabelio kilpą perveskite per laikiklį A
 - tvirtai patraukdami, įtvirtinkite ilginamąjį kabelį
- Pjovimo aukščio reguliavimas (28-48-68 mm) ⑬
 - ! **iš elektros tinklo lizdo ištraukite kištuką ir įsitinkinkite, kad ašmenys sustojo**
 - apverskite vejąpovę apačia į viršų
 - tiek priekinių, tiek užpakalinių ratų ašis nustatykite norimo pjovimo aukščio (28, 48 ar 68 mm)
 - ! **įsitinkinkite, kad visų keturių ratų pjovimo padėtis nustatyta vienoda**
- Įjungimo/išjungimo apsauginis jungiklis ⑭
 - Neleidžia netyčia įjungti prietaiso
 - įjunkite prietaisą pirmiausia paspausdami apsauginį jungiklį C, o po to ištraukdami sterkę jungiklį D
 - išjunkite prietaisą atleisdami gaiduko jungiklį D
 - ! **išjungus prietaisą, ašmenys dar keletą sekundžių sukasi**
- Naudojimo instrukcijos
 - prilaikykite vejąpovę abiem rankomis
 - pastatykite vejąpovę ant vejos ir pjaukite žolę priekine kryptimi

- baigę kiekvieną eilę apsisukite, pjaudami naują eilę truputį užleiskite vejąpovę ant jau nupjauto ploto krašto
- pjaukite tik sausą žolę
- pjaukite atokiau nuo kietų objektų ir augalų
- pjaudami labai aukštą žolę pirmiausia nusistatykite pjovimo mechanizmo didžiausią pjovimo aukštį, tada – žemesnį aukštį

! pjaudami aukštą žolę vaikščiokite (nebėkite)

- Pilnos žolės dėžės indikatorius ⑮
 - ištuštinkite žolės dėžę, E kai atverčiama dalis F pati nusileidžia nurodyma, kad žolės dėžė yra pilna
 - norėdami užtikrinti optimalų žolės surinkimo efektyvumą, rankiniu šepėčiu reguliariai valykite F angas po atverčiama dalimi
- Laikymas ⑯:
 - kad sutauptumėte vietos laikydami vejąpovę išrinkite rankeną (naudokite veržlę G) ir laikykite prietaisą kaip pavaizduota; **pirma ištuštinkite žolės surinkimo dėžę**
 - ! **įsitinkinkite, kad išrindami ar surinkdami rankeną neprispaudėte ilginamojo kabelio (nenumeskite rankenos)**
 - nedėkite ant vejąpovės viršaus jokių kitų daiktų
 - vejąpovę laikykite patalpoje, sausoje vietoje

PRIEŽIŪRA / SERVISAS

- Šis prietaisas nesiskirtas profesionaliam naudojimui
- Periodiškai valykite prietaisą ir kabelį (ypač ventiliacines angas J ③)
- Kaskart panaudoję išvalykite vejąpovę rankiniu šepėčiu ir minkšta pašluoste
- ! **nenaudokite vandens (ypač suslėgtų purškiklių)**
 - sukietėjusius žolės gumulus nuo ašmenų pašalinkite mediniu ar plastikiniu įrankiu
- Reguliariai tikrinkite, ar žolės surinkimo dėžė nenusidėvėjo ir nesugadinta
- Reguliariai tikrinkite, ar ašmenys ir varžtai nenusidėvėjo ir nesugadinti, keiskite juos visus kartu, kad nusidėvėjimas būtų vienodas
- Ašmenų keitimas ⑰
 - ! **išjunkite laidą iš elektros šaltinio ir nuimkite žolės surinkimo dėžę E ③**
 - ! **uždėkite apsauginius pirštines**
 - apverskite vejąpovę apačia į viršų
 - nuimdami ir dėdami ašmenis naudokite 13 numerio raktą, kaip vaizduojama paveiksle
 - ! **pjovimo geležtes keiskite tik tinkamo tipo geležtėmis (SKIL atsarginės dalies numeris 2610Z04069, pažymėta YAT 474 552)**
 - prieš sumontuodami ašmenis kruopščiai išvalykite veleną ir apatinę prietaiso dalį
 - ! **montuodami stebėkite, kad abi angos X puikiai sutampa su pirštais Y**
- Jeigu prietaisas, nepaisant gamykloje atliktamo kruopštaus gamybos ir kontrolės proceso, vis dėlto sugestų, jo remontas turi būti atliekamas įgaliotose SKIL elektrinių įrankių remonto dirbtuvėse
 - **neišardytą** prietaisą kartu su pirkimo čekiu siuškite tiekėjui arba į artimiausią SKIL firmos įgaliotą elektros prietaisų techninio aptarnavimo tarnybą (adresus bei atsarginių dalių brėžinių rasite www.skil.com)

TRIKČIŲ DIAGNOSTIKA

- Toliau pateiktame sąrašė aprašomi sutrikimų požymiai, galimos priežastys ir šalinimo veiksmai (jei naudojantis šiais patarimais nepavyko nustatyti ir pašalinti sutrikimo, kreipkitės į prekybos atstovą arba techninės priežiūros punktą)

! prieš tirdami sutrikimą, išjunkite prietaisą ir ištraukite kištuką iš elektros lizdo

- ★ Prietaisas neveikia
 - netiekiamo įtampa -> tikrinkite maitinimo šaltinį (maitinimo laidą, jungtuvus, saugiklius)
 - sugedęs elektros tinklo lizdas -> junkite į kitą lizdą
 - sugadintas ilginamasis kabelis -> keiskite ilginamąjį kabelį
 - žolė per aukštą -> padidinkite pjovimo aukštį ir pakelkite prietaisą
- ★ Prietaisas veikia su pertrūkiais
 - sugadintas ilginamasis kabelis -> keiskite ilginamąjį kabelį
 - sugedusi vidinė elektros instaliacija -> kreipkitės į prekybos atstovą arba techninės priežiūros punktą
- ★ Prietaisas pjauna nelygiai arba stringa variklis
 - pjovimo aukštis per žemas -> padidinkite pjovimo aukštį
 - atšipę ašmenys -> pakeiskite ašmenis
 - apatinė dalis stipriai apsinešusi -> išvalykite prietaisą
 - nevienodas pjovimo aukštis -> visus 4 ratukus nustatykite to paties pjovimo aukščio
- ★ Ašmenys nesisuka
 - ašmenys užsikimšo -> išvalykite ašmenis
 - ašmenų varžtai / veržlės atsileido -> užsukite ašmenų varžtus / veržles
- ★ Prietaisas neįprastai vibruoja
 - sugadinti ašmenys -> pakeiskite ašmenis
 - ašmenų varžtai / veržlės atsileido -> užsukite ašmenų varžtus / veržles

APLINKOSAUGA

- **Nemeskite elektrinių įrankių, papildomos įrangos ir pakuotės į buitinių atliekų konteinerius** (galioja tik ES valstybėms)
 - pagal ES Direktyvą 2002/96/EG dėl naudotų elektrinių ir elektroninių prietaisų atliekų utilizavimo ir pagal vietinius valstybės įstatymus atitarnavę elektriniai įrankiai turi būti surenkami atskirai ir gabunami į antrinių žaliavų tvarkymo vietas, kur jie turi būti sunaikinami ar perdirbami aplinkai nekenksmingu būdu
 - apie tai primins simbolis ①, kai reikės išmesti atitarnavusį prietaisą

CE ATITIKTIES DEKLARACIJA

- Atsakingai pareiškiami, kad skyrįje "Techniniai duomenys" aprašytas gaminyje atitinka žemiau pateiktus standartus ir norminius dokumentus: EN 60335, EN 61000, EN 55014 pagal direktyvą 2006/95/EB, 2004/108/EB, 2006/42/EB, 2000/14/EB, 2011/65/ES reikalavimus

- **Techninė byla laikoma:** SKIL Europe BV (PT-SEU/ENG1), 4825 BD Breda, NL

Marijn van der Hoofden
Operations & Engineering

Olaf Dijkgraaf
Approvals Manager

SKIL Europe BV, 4825 BD Breda, NL
25.07.2013

CE12

TRIUKŠMINGUMAS/VIBRACIJA

- Šio prietaiso triukšmingumas buvo išmatuotas pagal EN 60335 reikalavimus; keliamo triukšmo garso slėgio lygis siekia 73 dB(A) ir akustinio galingumo lygis 93 dB(A) (standartinis nuokrypis: 1,5 dB), ir vibracijos pagreitis rankos plaštakos srityje tipiniu atveju yra mažesnis, kaip 2,5 m/s² (paklaida K = 1,5 m/s²)
 - Išmatavus pagal 2000/14/EB (EN/ISO 3744) reikalavimus, garantuotas garso galingumas LWA yra mažesnis nei 94 dB(A) (atitikties vertinimas atliktas pagal VI priedą)
Notifikuota institucija: KEMA, Arnhem, NL
Notifikuotos institucijos identifikavimo numeris: 0344
 - Vibracijos sklaidos lygis išmatuotas pagal standarte EN 60335 išdėstytus standartizuoto bandymo reikalavimus; ši vertė gali būti naudojama vienam įrankiui palyginti su kitu bei išankstiniam vibracijos poveikiui įvertinti, kai įrankis naudojamas paminėtais būdais
 - naudojant įrankį kitokiais būdais arba su kitokiais bei netinkamai prižiūrimais priedais, gali žymiai **padidėti** poveikio lygis
 - laikotarpiams, kai įrankis išjungtas arba yra įjungtas, tačiau juo nedirbama, gali žymiai **sumažėti** poveikio lygis
- ! apsaugokite nuo vibracijos poveikio prižiūredami įrankį ir jo priedus, laikydami rankas šiltai ir derindami darbo ciklus su pertraukėlėmis**

MK

Косилка

0715

УПАТСТВО

- Овој алат е наменет само за домашна употреба за носење тревници
- Овој алат не е наменет за професионална употреба
- Проверете дали пакувањето ги содржи сите делови коишто се прикажани на сликата ②
- Контакттирајте со продавачот ако недостасуваат делови или истите се оштетени
- Упатство за спојување ②
 - редоследот на броеви што се појавуваат на сликата соодветствува со редоследот на чекорите што треба да ги следите за да ја составите косилката
- **! цврсто затегнете ги сите шрафови и навртни**
- Прочитајте го упатството за работа внимателно пред да го користите и зачувајте го за идни осврти ④

ТЕХНИЧКИ ПОДАТОЦИ ①

ЕЛЕМЕНТИ НА АЛАТОТ ③

- A Водилка за кабелот
- B Стегач за кабелот
- C Сигурносен прекинувач
- D Прекинувач за активирање
- E Кутија за трева
- F Индикатор за "полна кутија за трева"
- G Безбедносно крилце
- H Рачка за транспорт
- J Отвори за вентилација
- K Задна заштита

БЕЗБЕДНОСТ

ОПШТИ УПАТСТВА ЗА БЕЗБЕДНОСТ

⚠ ПРЕДУПРЕДУВАЊЕ! Сите упатства мора да се прочитаат. Непочитување на долу наведените упатства може да предизвика струен удар, пожар и/или тешки повреди. **Чувајте ги сите предупредувања и напатствија за во иднина.** Поимот "електричен алат", кој се користи во понатамошниот текст, се однесува на вашиот електричен алат (со приклучен кабел) и на електрични алати со погон на батерии (без приклучен кабел).

1) БЕЗБЕДНОСТ НА РАБОТНОТО МЕСТО

- a) **Одржувајте го вашето работно место чисто и уредно.** Неуреден или темен работен простор може да предизвикаа незгоди.
- b) **Немојте да работите со уредот во средина во која има опасност од експлозија, во која има запаливи течности, гасови и прашина.** Електричните алати произведуваат искри кои можат да запалат прашина или пареа.
- c) **За време на употребата на електричниот алат, децата и останатите лица држете ги подалеку од местото каде работите.** Одраќање, би можеле да изгубите контрола врз уредот.

2) ЕЛЕКТРИЧНА СИГУРНОСТ

- a) **Утикач мора да одговара на приклучокот.** Никане не смее да се прават измени на штекерот. Не користете адаптерски штекер заедно со уредот кој е заштитно заземјен. Не променети штекери и соодветни приклучоци го намалуваат ризикот од електричен удар.
- b) **Избегнувајте допир на телото со заземјени површини, како што се цевки, радијатори, рерни и фриџидери.** Постои зголемена опасност од струен удар, доколку Вашето тело е заземјено.
- c) **Чувајте го уредот подалеку од дожд и влага.** Продирањето на вода во електричниот уред ја зголемува опасноста од струен удар.
- d) **Не злоупотребувајте го приклучниот кабел за носење, бесење на уредот или за извлекување на штекерот од мрежниот приклучок.** Чувајте го кабелот подалеку од топлина, масло, остри рабови или деловите на апаратот кои се движат. Оштетени или заплеткани кабли ја зголемуваат опасноста од струен удар.
- e) **Кога го употребувате полначот надвор, користете продолжен кабел кој е соодветен**

за употреба на отворен простор. Примената на продолжен кабел соодветен за работа на отворен простор ја намалува опасноста од струен удар.

- f) **Доколку не може да се избегне работа со електричниот алат во влажна средина, користете прекинувач за струјна заштита при технички проблеми.** Употребата на прекинувачот за струјна заштита при технички проблеми го намалува ризикот од електричен удар.
- 3) **БЕЗБЕДНОСТ НА ЛУЃЕ**
 - a) **Бидете внимателни, внимавајте што правите и постапувајте внимателно додека работите со електричниот алат. Не работете со уредот доколку сте уморни или под дејство на дрога, алкохол или лекови.** Еден момент на невнимание при употребата може да доведе до сеизозни повреди.
 - b) **Носете ја личната заштитна опрема и секогаш носете заштитни очила.** Носењето на личната заштитна опрема, како што е маската за прашина, безбедносната облека која не се лизга, заштитен шлем или штитник за слух, зависно од видот и примената на електричниот алат, ја намалува опасноста од повреда.
 - c) **Избегнувајте невнимателно вклучување за време на работата. Осигурајте се прекинувачот да биде во "OFF" позиција пред да го ставите штекерот во приклучокот.** Доколку го носите електричниот алат со прстот на прекинувачот или го приклучувате апаратот кој е приклучен со напојување на струја, може да предизвикате незгоди.
 - d) **Пред вклучување на уредот, тргнете ги алатите за подесување или клучот за навртување.** Алатот или клучот кој се наоѓа во вртливиот дел на уредот, може да предизвика незгода.
 - e) **Не ги преценувајте своите способности.** Завземете сигурен и стабилен став и во секој момент одржувајте рамнотежа. На тој начин можете подобро да го контролирате уредот во неочекувани ситуации.
 - f) **Носете соодветна облека. Не носете широка облека или накит. Косата, обленката и ракавиците држете ги подалеку од деловите кои се движат.** Комотната облека, накитот или долгата коса може да бидат фатени во деловите кои се движат.
 - g) **Доколку може да се монтираат направи за вшмукување и фаќање прашина, проверете дали се вклучени и дали можат исправно да се користат.** Примената на овие направи ја намалува опасноста од прашината.
- 4) **ВНИМАТЕЛНА УПОТРЕБА И РАКУВАЊЕ СО ЕЛЕКТРИЧНИТЕ АЛАТИ**
 - a) **Не го преоптеретувајте уредот.** При вашата работа користете го предвидениот електричен алат за таа употреба. Со соодветниот електричен алат ќе работите подобро и посигурно во наведената функционална област.
 - b) **Не користете електричен алат чиј прекинувач е неисправен.** Електричниот алат кој повеќе не може да се вклучува и исклучува е опасен и мора да се поправи.

- c) Извлечете го штекерот од приклучокот пред извршување на било какви подесувања на апаратот, замена на приборот или складирање. Со овие мерки на внимателност ќе се избегне невнимателното вклучување на уредот.
- d) Тргнете го електричниот алат кој не го користите од допирот на децата. Не допуштајте работа со уредот на лица кои не се запознаени со него или кои го немаат прочитано ова упатство. Електричните алати се опасни доколку со нив работат неискусни лица.
- e) Одржувајте го уредот со внимание. Имајте контрола онолу тоа дали движечките делови на уредот работат беспрекорно и дали не се заглавени, дали деловите се скршени или оштетени до таа мерка што не може да се обезбеди функционирање на уредот. Пред примената, овие оштетени делови треба да се поправат. Причина за многу незгоди е лошо одржуваниот електричен алат.
- f) Алатите за сечење одржувајте ги остри и чисти. Внимателно одржувањето алати за сечење со остри отприци помалку ќе се заглавуваат и со нив работата ќе биде полесна.
- g) Електричниот алат, прибор, работни алати итн., треба да ги користите според овие упатства, и на начин кој е опишан за соодветниот тип на уред. При тоа, земете ги предвид работните услови и работата која се извршува. Употребата на електричните алати за други цели кои не се предвидени, може да предизвика опасни ситуации.
- 5) СЕРВИСИРАЊЕ
- a) Поправката на Вашиот уред препуштете им ја само на обучен, стручен кадар на овластен сервисер, и само со оригиналните резервни делови. На тој начин ќе се обезбеди уредот да остане со зачувана безбедност.

СПЕЦИФИЧНИ БЕЗБЕДНОСНИ УПАТСТВА ЗА КОСИЛКИТЕ

ОБЈАСНУВАЊЕ ЗА СИМБОЛИТЕ НА АЛАТОТ

- ④ Пред употреба прочитајте го прирачникот за употреба
- ⑤ Двојна изолација (не е потребна заземна жица)
- ⑥ Обрнете внимание на ризикот од повреда што може да го предизвика отфрлениот остаток од косењето (присутните лица да стојат на безбедно растојание од местото на работа)
- ⑦ Внимавајте на остри сечива
- ⑧ Држете го кабелот (и продолжниот) подалеку од ротирачкото сечиво
- ⑨ Сечивото продолжува да ротира уште извесно време откако косилката ќе се исклучи (не допирајте го сечивото додека се врти)
- ⑩ Исклучете ја косилката и извадете го приклучокот од штекер пред чистење/одржување или ако кабелот (продолжниот) е оштетен или заплеткан
- ⑪ Не фрлајте го алатот заедно со другиот отпад од домаќинството

ОПШТИ

- Не работете со косилката на влажни тревници
- Корисникот е одговорен за несреќните случаи или штетите што ќе се предизвикаат кај други лица или на нивниот имот
- Никогаш не вклучувајте ја косилката со расипан заден заштитник или оштетена кутија за трева
- Ставете го задниот заштитник во затворена позиција кога работите со косилката без кутијата за трева (**постои ризик од повреда од ротирачкото сечиво**)
- Секогаш исклучувајте го приклучокот од штекер
 - кога косилката ја оставате без надзор
 - пред чистење заглавен материјал
 - пред проверка, чистење или работа на косилката
 - ако удриете во стран предмет
 - секогаш кога косилката ќе вибира невообичаено

ЕЛЕКТРИЧНА БЕЗБЕДНОСТ

- Проверувајте го кабелот од време на време и повикајте квалификувано лице да го смени ако е оштетен
- Користете уред за преостанат напон (RCD) со максимален напон за активирање од 30 mA кога ја користите косилката
- Продолжениот кабел кој го користите, мора да биде сосема одмотан и безбеден, со капацитет од 16 A
- Користете само продолжен кабел од типовите H05VV-F или H05RN-F којшто е наменет за употреба на отворено и е опремен со приклучок со заштита од вода и штекер во форма на запалка
- Не преминувајте преку кабелот (продолжниот) не превиткувајте или не влечете го
- Заштитете го (продолжниот) кабел од топлина, масло и остри рабови
- Проверувајте го продолжниот кабел од време на време и сменете го ако е оштетен (**несоодветните продолжни кабели се опасни**)

ЛИЧНА ЗАШТИТА

- Не работете со косилката кога сте боси или ако носите отворени сандали; секогаш носете цврсти чевли и долги панталони
- Запознајте се со контролите и со правилната употреба на косилката
- Никогаш не косете во непосредна близина на луѓе (особено деца) и животни
- **Секогаш чувајте ги рацете и нозете подалеку од ротирачките делови**
- **Стојте секогаш настрана од испустот**
- Вклучувајте го моторот во согласност со упатството и со стапалата што подалеку од сечивото
- **Алатот не е наменет за употреба од страна на лица (вклучително и деца) со намалени физички, чувствителни или ментални способности, без искуство и познавање, освен ако не се под надзор или ако не се обучени за употребата на алатот од страна на лице кое што е одговорно за нивната безбедност** (локалните закони ја одредуваат и возраста на операторот)
- Обезбедете децата да не си играат со алатот
- Работете со косилката само со одене (не трчајте)
- Одржувајте соодветно растојание на закосени терени и не косете на исклучително стрмни терени
- Бидете исклучително внимателни кога косите наназад или кога ја влечете косилката кон себе

ПРЕД УПОТРЕБА

- Проверувајте ја функционалноста на машината пред секоја употреба и во случај на дефект, повикајте квалификувано лице да ја поправи. Никогаш не отворајте ја машината сами
- Темелно проверете ја областа каде ќе се користи косилката и отстранете ги сите цврсти предмети што може да се зафатат и исфрлат со механизмот за косење
- Секогаш проверувајте дали механизмот за косење е во добра работна состојба (заменете ги истрошените или оштетените делови)
- Одржувајте ги сите навртки, завртки и шrafoви цврсто затегнати за да обезбедите дека косилката е во добра работна состојба

ВО ТЕКОТ НА УПОТРЕБАТА

- Косете само на дневно светло или со соодветно вештачко осветлување
- Не закосувајте ја машината кога го вклучувате моторот освен ако таа мора да се закоси при работа во висока трева (во тој случај не закосувајте ја повеќе од неопходното и секогаш со делот што е подалеку од операторот). Секогаш држете ги двете раце во работната положба пред да ја вратите машината на телото
- Проверете дали сечивото е комплетно застанато кога ја закосувате машината за да преминете одредена површина што не е трева и кога ја носите до и од областа за косење
- Косете попреку на закосените терени (никога нагоре и надолу)
- Бидете исклучително внимателни кога го менувате правецот на закосените терени
- Никогаш не кревајте или не носете ја косилката додека работи моторот
- Секогаш исклучете ја машината и исклучете го приклучокот од штекерот ако кабелот за напојување со ел. енергија или продолжниот кабел се пресечени, оштетени или заплеткани (**не допирајте го кабелот пред да го исклучите приклучокот**)
- Никогаш не користете алат ако кабелот е оштетен; замената на кабелот мора да ја изврши стручно лице

УПОТРЕБА

- Водилка за кабелот^①
 - закачете ја куката на продолжниот кабел над водилката А како што е прикажано
 - повлечете цврсто за да го обезбедите продолжниот кабел
- Прилагодување на висината за косење (28-48-68 мм)^②
 - ! **исклучете го приклучокот од штекер и проверете дали сечивото веќе не ротира**
 - свртете ја косилката
 - поставете ги предната и задната оска на тркалата на саканата позиција за висина на косење (28, 48 или 68 мм)
 - ! **проверете дали четирите тркала се фиксирани на иста позиција за косење**
- Безбедносен прекинувач за вклучување/исклучување^④
 - Спречува машината да се вклучи случајно
 - вклучете ја машината прво со притискање на безбедносниот прекинувач С и потоа повлечете го

- прекинувачот за активирање D
- исклучете ја машината со пуштање на прекинувачот за активирање D
- ! **по исклучување на машината, сечивото продолжува да ротира уште неколку секунди**
- Упатство за работа
 - држете ја косилката со двете раце
 - поставете ја косилката на работ на тревникот и косете нанापред
 - свртете се на крајот на секој потег, делумно преклопувајќи го претходното косење
 - користете ја косилката само на сува трева
 - чувајте ја косилката подалеку од цврсти предмети и растенија
 - при косење висока трева, прво поставете го механизмот за косење на максималната висина за косење и потоа на пониска висина
- ! **прилагодете ја брзината на одене при косење висока трева**
- Индикатор за „полна кутија за трева“^⑤
 - испразнете ја кутијата за трева Е штом крилцето F ќе се спушти самото со што се посочува дека кутијата за трева е полна
 - за најдобра собирање трева, редовно чистете ги отворите под крилцето F со четкичка
- Чување^⑥
 - превиткајте ја рачката на машината за штедење на просторот за складирање (со крилцето G) и одложете ја машината како што е прикажано.
 - Прво испразнете ја кутијата за трева**
 - ! **проверете дали (продолжниот) кабел е заглавен при превиткување/ исправување на рачката на машината (не испуштајте ја рачката)**
 - не ставајте други предмети врз одложената косилка
 - чувајте ја косилката на затворено и суво место

ОДРЖУВАЊЕ/СЕРВИСИРАЊЕ

- Овој алат не е наменет за професионална употреба
- Алатот и кабелот секогаш да се одржуваат чисти (особено отворите за ладене J^③)
- Исчистете ја косилката по секоја употреба со четка и сува крпа
- ! **не користете вода (особено не спреви под висок притисок)**
- отстранете ја насобраната покосена трева од сечивото со дрвен или пластичен алат
- Редовно проверувајте ја кутијата за трева за знаци на изабеност или оштетување
- Редовно проверувајте дали сечивото и навртките се изабени или оштетени и заменувајте ги во парови за да ја задржите рамнотежата
- Замена на сечивото за косење^⑦
 - ! **исклучете го приклучокот од штекер и извадете ја кутијата за трева Е^③**
 - ! **носете заштитни ракавици**
 - свртете ја косилката
 - извадете/ставете сечиво за косење со клуч 13 како што е прикажано
 - ! **користете само сечива за косење од соодветен тип (број на резервен дел на SKIL 2610Z04069, обележен со YAT 474 552)**

- темелно исчистете ја областа кај оската и внатрешноста на машината пред да го поставите сечивото за косење

! при поставување на сечивото за косење, проверете дали двата отвора X совршено се поклопуваат со двата клина Y

- Доколку алатот и покрај внимателното работење и контрола некогаш откаже, поправката мора да ја изврши некој овластен SKIL сервис за електрични алати
- во случај на примедба, испратете го алатот **нерасклопен[/], заедно со сметнопотврдата, до вашиот продавач или најблискиот SKIL сервис (адресите се наведени на www.skil.com)**

РЕШАВАЊЕ ПРОБЛЕМИ


- Следниот список ги прикажува симптомите за проблемите, можните причини и дејства за поправка (контактирајте со продавачот или сервисерот ако истите не го идентификуваат ниту решаваат проблемот)

! исклучете ја машината и извадете го приклучочот пред да го истражувате проблемот

- ★ Машината не работи
 - нема напојување -> проверете го напојувањето (кабел за напојување, прекинувачи, осигурувачи)
 - расипан штекер за напојување со ел. енергија -> користете друг штекер
 - продолжниот кабел е оштетен -> заменете го продолжниот кабел
 - тревата е многу висока -> зголемете ја висината за косење и закосете ја машината
- ★ Машината работи со прекини
 - продолжниот кабел е оштетен -> заменете го продолжниот кабел
 - оштетување на внатрешното поврзување -> контактирајте со продавачот/ сервисерот
- ★ Машината остава нерамноерна трага или моторот тешко работи
 - висината за косење е премногу ниска -> зголемете ја висината за косење
 - сечивото за косење е тапо -> заменете го сечивото за косење
 - долната страна на машината е многу извалкана -> исчистете ја машината
 - висината за косење е е еднаква -> поставете ги 4 тркала на иста висина за косење
- ★ Сечивото за косење не ротира
 - сечивото за косење е попречено -> исчистете ја препреката
 - навртките/завртките на сечивото се разлабавени -> затегнете ги навртките/завртките на сечивото
- ★ Машината вибрира невообичаено
 - сечивото за косење е оштетено -> заменете го сечивото за косење
 - навртките/завртките на сечивото се разлабавени -> затегнете ги навртките/завртките на сечивото

ЗАШТИТА НА ЖИВОТНАТА СРЕДИНА


- Не се ослободувајте од електрични алати, уреди или амбалажа преку нивно фрлање во домашното губре (само за земјите на ЕУ)

- според Европската Директива 2002/96/EC за ослободување од електрична и електронска опрема и нејзина имплементација во согласност со националните закони, електричните алати кои го достигнале крајот на својот животен век мора да бидат собрани посебно и да бидат вратени во соодветен објект за рециклирање
- симболот  ќе ве потсетува на ова кога ќе дојде време алатот да го фрлите

ДЕКЛАРАЦИЈА ЗА УСОГЛАСЕНОСТ

- Со целосна одговорност изјавуваме дека производот опишан кај "Технички податоци" е усогласен со следните стандарди или документи за стандардизација: EN 60335, EN 61000, EN 55014 во согласност со одредбите во директивите 2006/95/EG, 2004/108/EG, 2006/42/EG, 2000/14/EG, 2011/65/EU
- **Технично досије во:** SKIL Europe BV (PT-SEU/ENG1), 4825 BD Breda, NL

Marijn van der Hoofden Olaf Dijkgraaf
Operations & Engineering Approvals Manager


SKIL Europe BV, 4825 BD Breda, NL
25.07.2013

CE12

БУЧАВА/ВИБРАЦИИ

- Мерено во согласност со EN 60335 нивото на звучен притисок е 73 dB(A) а нивото на звучна моќност 93 dB(A) (стандардно отстапување: 1,5 dB), и вибрација 2,5 m/c² (hand-arm метода; несигурност K = 1.5 m/c²)
 - Измерено во согласност со 2000/14/EC (EN/ISO 3744), гарантираното ниво на бука LWA е пониско од 94 dB(A) (постапка за проценка на усогласеноста согласно Дополток VI)
Овластено лице: KEMA, Arnhem, NL
Број за идентификација на овластеното лице: 0344
 - Нивото на емитурање на вибрации кое е наведено на задниот дел на ова упатство е измерено во согласност со стандардизиранот тест даден во EN 60335; може да се користи за да се спореди еден алат со друг, и како првична оценка за изложеноста на вибрации кога се користи алатот за споменатите примени
 - користењето на алатот за разни примени, или со различни или неправилно чувани делови, може да доведе до значајно **зголемување** на нивото на изложеност
 - кога алатот е исклучен или кога алатот е вклучен но не врши некаква работа, може да дојде до значително **намалување** на нивото а изложеност
- ! заштитете се од ефектите на вибрациите преку одржување на алатот и неговите делови, одржување на топлината во вашите раце, и организирање на вашата работа**

HYRJE

- Kjo vegël është e projektuar vetëm për kositjen e kopshteve familjare
- Kjo vegël nuk është e projektuar për përdorim profesional
- Kontrolloni nëse paketimi përfshin të gjitha pjesët siç janë të ilustruara në skicë ②
- Kur pjesët mungojnë ose janë të dëmtuara, ju lutemi kontaktoni me shitësin
- Udhëzimet për montimin ②
 - sekuenca e numrave që shfaqen në skicë përputhet me sekuençën e hapave që duhet të ndiqen për montimin e kositësës së barit
- ! **shtrengoni mirë të gjitha vidat dhe dadot**
- Lexoni me kujdes këtë manual udhëzimesh para përdorimit dhe ruajeni për t'iu referuar në të ardhmen ④

TË DHËNAT TEKNIKE ①

ELEMENTET E PAJISJES ③

- A Bllokuesi i kordonit
- B Kapësja e kordonit
- C Çelësi i sigurisë
- D Çelësi i aktivizimit
- E Kutia e barit
- F Treguesi i "kutisë së barit plot"
- G Dadoja e sigurisë e krahut
- H Doreza transportuese
- J Të çarat e ajrosjes
- K Mbrojtësja e pasme

SIGURIA

UDHËZIMET E PËRGJITHSHME PËR SIGURINË

⚠ PARALAJMËRIM! Lexoni të gjitha paralajmërimet e sigurisë dhe të gjitha udhëzimet. Mosrespektimi i paralajmërimeve dhe udhëzimeve mund të rezultojë në goditje elektrike, zjarr dhe/ose dëmtime të rënda. **Ruani të gjitha paralajmërimet dhe udhëzimet për referencë në të ardhmen.** Termi "pajisje elektrike" në paralajmërimi i referohet pajisjes elektrike që përdoret nga priza (me kablo) ose pajisjes elektrike me bateri (pa kablo).

1) SIGURIA E ZONËS SË PUNËS

- a) **Mbajeni zonën e punës të pastër dhe të ndriçuar mirë.** Zonat e çrregullta ose të errëta janë një ftesë për aksidente.
- b) **Mos i përdorni pajisjet elektrike në situata me mundësi shpërthimi, si në prani të lëngjeve, gazeve ose pluhurave të djegshëm.** Pajisjet elektrike shkaktojnë shkëndija që mund të ndezin pluhurat ose avullit.
- c) **Mbajini fëmijët dhe personat e tjerë larg gjatë përdorimit të veglës së punës.** Tërheqja e vëmendjes mund të shkaktojë humbjen e kontrollit.

2) SIGURIA ELEKTRIKE

- a) **Spinat e veglës së punës duhet të përputhen me prizën. Mos modifikoni kurrë spinën në asnjë mënyrë. Mos përdorni asnjë spinë përshtatëse me veglat e punës me tokëzim.** Spinat e pamodifikuara dhe prizat përshtatëse do të zvogëlojnë rrezikun e goditjes elektrike.
- b) **Shmangni kontaktin trupor me sipërfaqe të tokëzuara si tuba, radiatorë, soba dhe frigoriferë.** Ka një rrezik më të madh të goditjeve elektrike nëse trupi është i tokëzuar.
- c) **Mos ekspozoni veglat e punës në shi ose në kushte me lagështi.** Uji që hyn në veglën e punës do të rritë rrezikun e goditjes elektrike.
- d) **Mos abuzoni me kordonin. Mos e përdorni kurrë kordonin për transportin, tërheqjen ose heqjen e spinës së veglës së punës. Mbajeni kordonin larg nga nxehtësia, vaji, anët e mprehta ose pjesët që lëvizin.** Kordonët e dëmtuar ose e bllokuar rrisin rrezikun e goditjes elektrike.
- e) **Kur përdorni një vegël pune në mjedise të jashtme, përdorni një kordon zgjatues të përshtatshëm për përdorim në mjedise të jashtme.** Përdorimi i një kordoni të përshtatshëm për përdorime në mjedise të jashtme zvogëlon rrezikun e goditjes elektrike.
- f) **Nëse përdorimi i veglës së punës në një vend me lagështi është i pashmangshëm, përdorni një automat çarku me shkarkesë me tokëzim.** Përdorimi i një automati me shkarkesë me tokëzim zvogëlon rrezikun e goditjes elektrike.

3) SIGURIA PERSONALE

- a) **Qëndroni në gatishmëri, shikoni se çfarë po bëni dhe përdorni gjykimin kur përdorni një vegël pune. Mos e përdorni një vegël pune kur jeni i lodhur ose nën ndikimin e ilaçeve, alkoolit ose mjekimit.** Një moment humbje e vëmendjes gjatë përdorimit të veglave të punës mund të shkaktojë dëmtime të rënda personale.
- b) **Përdorni pajisje personale mbrojtëse. Mbani gjithmonë pajisje për mbrojtjen e syve.** Pajisjet mbrojtëse si maska kundër pluhurit, këpucët që nuk rrëshqasin, kaskat ose pajisjet për mbrojtjen e veshëve për kushtet përkatëse do të zvogëlojnë dëmtimet personale.
- c) **Parandaloni ndezjen e rastësishme. Sigurohuni që çelësi është në pozicionin fikur para se të lidhni burimin e energjisë dhe/ose baterinë, para se të merrni ose të transportoni pajisjen.** Transportimi i veglave të punës me gishtin në çelës ose aktivizimi i veglave të punës që kanë çelësin të ndezur është një ftesë për aksidente.
- d) **Hiqni çdo çelës ose çelës përshtatës para ndezjes së veglës së punës.** Një çelës i lënë i lidhur me një pjesë rrotulluese të veglës së punës mund të shkaktojë dëmtime personale.
- e) **Mos u zgjasni. Mbani një vendosje të mirë të këmbëve dhe një ekuilibër të mirë në çdo moment.** Kjo gjë bën të mundur një kontroll më të mirë të veglës së punës në situata të papritura.
- f) **Vishuni në mënyrën e duhur. Mos vishni veshje të gjera ose bizhuteri. Mbani flokët, veshjet dhe dorashkat larg nga pjesët lëvizëse.** Veshjet e gjera,

- bizhuteritë ose flokët e gjatë mund të kapen nga pjesët në lëvizje.
- g) **Nëse janë ofruar pajisje për lidhjen e pajisjeve të mbledhjes dhe nxjerrjes së pluhurave, sigurohuni që ato të jenë të lidhura dhe të përdoren si duhet.** Përdorimi i mbledhjes së pluhurave mund të zvogëlojë rreziqet në lidhje me pluhurat.
- 4) **PËRDORIMI DHE KUJDESIA PËR VEGLËN E PUNËS**
- a) **Mos ushtroni forcë mbi veglën e punës. Përdorni veglën e punës të duhur për përdorimin tuaj.** Vegla e punës e duhur do të realizojë një punë më të mirë dhe më të sigurt dhe me shpejtësinë që ajo është e projektuar.
- b) **Mos përdorni veglën e punës nëse çelësi nuk e ndez apo e fik.** Çdo vegël pune që nuk mund të kontrollohet me anë të çelësit është e rrezikshme dhe duhet të riparohet.
- c) **Shkëputni spinën nga burimi i energjisë dhe/ose baterinë nga vegla e punës para se të bëni rregullime të tjera, të ndryshoni aksesorët ose të ruani veglat e punës.** Këto masa parandaluese të sigurisë ulin rrezikun e ndezjes aksidentale të veglës së punës.
- d) **Mbani veglat e punës larg fëmijëve dhe mos lejoni personat e pamësuar me veglën e punës ose këto udhëzime për përdorimin e pajisjes.** Veglat e punës janë të rrezikshme në duart e përdoruesve të patrajnuar.
- e) **Mirëmbani veglat e punës. Kontrolloni për mospërshtatje ose bllokim të pjesëve lëvizëse, thyerje të pjesëve dhe gjendje të tjera që mund të ndikojnë në funksionimin e veglës së punës. Nëse dëmtohet, riparojeni veglën e punës para përdorimit.** Shumë aksidente shkaktohen nga veglat e punës jo të mirëmbajtura si duhet.
- f) **Mbajini pajisjet prerëse të pastra dhe të mprehta.** Pajisjet e prerjes të mirëmbajtura dhe me anë të mprehta kanë më pak mundësi për t'u bllokuar dhe janë më të lehta për t'u kontrolluar.
- g) **Përdorni veglat e punës, aksesorët dhe puntot, etj. në përputhje me këto udhëzime, duke marrë parasysh kushtet e punës dhe punën që do të kryhet.** Përdorimi i veglave për përdorime të ndryshme nga ato të përcaktuara mund të shkaktojë rreziqe.
- 5) **SHËRMBIMI**
- a) **Shërbimi i veglës së punës duhet të kryhet nga një person i kualifikuar për riparimet duke përdorur vetëm pjesë ndërrimi identike.** Kjo gjë do të sigurojë ruajtjen e sigurisë së veglave të punës.

UDHËZIMET E SIGURISË SPECIFIKE PËR KOSITËSET E BARIT

SHPJEGIMI I SIMBOLEVE NË VEGJË

- ④ Lexoni manualin e udhëzimeve para përdorimit
- ⑤ Izolimi i dyfishtë (nuk kërkohet tokëzim)
- ⑥ Jini të vëmendshëm ndaj rreziqit për dëmtime nga copat që fluturojnë përreth (mbajini personat e tjerë në një distancë të sigurt nga zona e punës)
- ⑦ Kini kujdes nga thikat e mprehta
- ⑧ Mbajeni kordonin (zgjatues) larg nga thika rrotulluese e prerjes
- ⑨ Thika e prerjes vazhdon të rrotullohet për pak kohë pas fikjes së pajisjes (**mos e prekni thikën në rrotullim**)

- ⑩ Fikeni dhe hiqeni spinën para pastrimit/mirëmbajtjes ose nëse kordoni (zgjatues) është i dëmtuar ose i ngatërruar
- ⑪ Mos e hidhni veglën bashkë me materialet e mbetjeve familjare

TË PËRGJITHSHME

- Shmangni përdorimin e kositëses në kopshte me lagështi
- Përdoruesi është përgjegjës për aksidentet ose rreziqet ndaj personave të tjera ose pronës së tyre
- Mos e përdorni kurrë veglën me një mbrojtëse të pasme me defekt ose kuti bari me defekt
- Kur përdorni veglën pa kutinë e barit, sigurohuni që mbrojtësja e pasme të jetë në pozicionin e mbyllur (**rrezik dëmtimi nga thika prerëse që rrotullohet**)
- Hiqeni gjithmonë spinën nga burimi i energjisë
 - sa herë që e lini veglën të pamonitoruar
 - para pastrimit të materialeve të bllokuara
 - para kontrollit, pastrimit ose punimeve në vegël
 - pas goditjes së një objekti të huaj
 - sa herë që vegla fillon të dridhet në mënyrë jo normale

SIGURIA ELEKTRIKE

- Kontrolloni periodikisht kordonin dhe zëvendësojeni me ndihmën e një personi të kualifikuar, nëse dëmtohet
- Kur përdorni veglën, përdorni një pajisje ndërprerëse të diferencuar (RCD) me korrent aktivizues maksimumi 30 mA
- Përdorni kordonë të pahapur dhe të sigurt për zgjatime, me një kapacitet 16 amper
- Përdorni vetëm kordonë zgjatues të llojeve H05VV-F ose H05RN-F, të projektuar për përdorim në ambiente të jashtme dhe të pajisur me një bashkues prizë-spinë kundër ujit
- Mos e shkëlini, shtypni apo tërhiqni kordonin (zgjatues)
- Mbrojeni kordonin (zgjatues) nga nxehtësia, vaji dhe anët e mprehta
- Kontrolloni kordonin zgjatues periodikisht dhe zëvendësojeni, nëse dëmtohet (**kordonët zgjatues të papërshtatshëm mund të jenë të rrezikshëm**)

SIGURIA PERSONALE

- Mos e përdorni veglën kur jeni zbatuar ose mbani sandale të hapura; vishni gjithmonë këpucë të ashpra dhe pantallona të gjata
- Familjarizohuni me komandat dhe përdorimin e saktë të veglës
- Mos kositni kurrë shumë afër personave (veçanërisht fëmijëve) dhe kafshëve
- **Mbajini gjithmonë duart dhe këmbët larg nga pjesët rrotulluese**
- **Qëndroni gjithmonë larg nga e çara e shkarkimit**
- Ndizeni motorin sipas udhëzimeve dhe me këmbët mjaft larg nga thika prerëse
- **Kjo pajisje nuk është projektuar për t'u përdorur nga persona (përfshirë fëmijët) me kapacitete të zvogëluara fizike, ndijore ose mendore, ose me mungesë të përvojës dhe njohurive, nëse nuk janë udhëzuar ose mbikëqyruar në lidhje me përdorimin e pajisjes nga një person përgjegjës për sigurinë e tyre** (rregullat lokale mund ta kufizojnë moshën e përdoruesit)
- Sigurohuni që fëmijët të mos luajnë me pajisjen
- Përdoreni kositësen vetëm me shpejtësinë e ecjes (mos vraponi)
- Vendosini mirë këmbët në vende të pjerrëta dhe mos

kositni në pjerrësi shumë të madhe

- Kini shumë kujdes kur lëvizni mbrapsht ose kur e tërhiqni kositësen drejt vetes

PARA PËRDORIMIT

- Kontrolloni funksionimin e pajisjes para çdo përdorimi dhe, në rast defekti, riparoheni nga një person i kualifikuar; mos e hapni kurrë vetë pajisjen
- Kontrolloni plotësisht zonën ku do të përdoret kositësja dhe hiqni të gjitha objektet e forta që mund të kapen dhe të hidhen nga mekanizmi i prerjes
- Sigurohuni gjithmonë që mekanizmi i prerjes të jetë në gjendje të mirë pune (pjesët e konsumuara ose të dëmtuara janë zëvendësuar)
- Shikoni që të gjitha dadot, bulonat dhe vidat janë të shtërnguara për të qenë të sigurt që kositësja është në kushte të sigurta pune

GHJATË PËRDORIMIT

- Kositni vetëm me dritë të mjaftueshme gjatë ditës ose me një dritë të përshtatshme artificiale
- Mos e anoni veglën kur ndizni motorin ose filloni punën, përveç se kur vegla duhet të anohet për të punuar në bar të gjatë (në një rast të tillë mos e anoni më shumë nga sa është absolutisht e nevojshme dhe anoni vetëm pjesën që është larg përdoruesit); sigurohuni gjithmonë që të dyja duart të jenë në pozicionin e punës para se ta ktheni veglën në tokë
- Sigurohuni që thika prerëse të ketë ndaluar plotësisht kur e anoni veglën kur kaloni mbi sipërfaqe jo me bar dhe kur e transportoni në zonën që duhet të kositet
- Kositni përgjatë faqes së pjerrësisë (asnjëherë larg dhe poshtë)
- Kini shumë kujdes kur ndryshoni drejtimin në pjerrësi
- Mos e merrni apo transportoni kositësën kur motori është në punë
- Fikeni gjithmonë veglën dhe hiqni spinën nga burimi i energjisë nëse kordoni elektrik ose kordoni zgjatues është prerë, dëmtuar ose ngatërruar (**mos e prekni kordonin para se të hiqni spinën**)
- Mos e përdorni kurrë veglën kur kordoni është i dëmtuar; zëvendësojeni nga një person i kualifikuar

PËRDORIMI

- Bllokuesi i kordonit ⑫
 - kaloni lakun e kordonit zgjatues mbi bllokues A si në ilustrim
 - tërhiqeni fort për të siguruar kordonin zgjatues
- Rregullimi i lartësisë së prerjes (28-48-68 mm) ⑬
 - ! **shkëputni spinën nga burimi i energjisë dhe sigurohuni që thika prerëse ka ndaluar rrotullimin**
 - kthejeni përmbys kositësen
 - përcaktoni aksin e rrotës së parë si dhe aksin e rrotës prapa në pozicionin e dëshiruar të lartësisë së prerjes (28, 48 ose 68 mm)
 - ! **sigurohuni që të katër rrotat të jenë të fiksuara në të njëjtin pozicion të lartësisë së prerjes**
- Çelësi i sigurisë i ndezjes/fikjes ⑭
 - Parandalon ndezjen aksidentale të veglës
 - ndizni veglën duke shtypur së pari çelësin e sigurisë C dhe më pas tërhiqni çelësin e aktivizimit D
 - fikeni veglën duke lëshuar çelësin e aktivizimit D
 - ! **pas fikjes së veglës, thika vazhdon të rrotullohet për disa sekonda**
- Udhëzimet për përdorimin
 - mbajeni kositësen me të dyja duart

- vendoseni kositësen në anë të kopshtit dhe kositni në drejtimin përpara
- kthehuni në fund të çdo radhe duke u mbivendosur pak mbi rripin e prerjes së mëparshme
- përdoreni kositësen vetëm në bar të thatë
- mbajeni kositësen larg nga objektet dhe bimët e forta
- për kositjen e barit të gjatë, në fillim vendoseni mekanizmin e prerjes në lartësinë maksimale të prerjes dhe më pas në një lartësi më të ulët të prerjes
- ! **përshtatni shpejtësinë e hapave tuaj kur kositni bar të gjatë**
- Treguesi i "kutisë së barit plot" ⑮
 - boshatisni kutinë e barit E menjëherë pasi kapaku F të ulet vetë, duke treguar se kutia e barit është plot
 - për një rendiment optimal në mbledhjen e barit, pastroni rregullisht vrimat poshtë kapakut F me një furçë dore
- Magazinimi ⑯
 - për të kursyer mjaft hapësirë gjatë magazinimit, paloseni dorezën e veglës (duke përdorur dadon e krahut G) dhe magazinoheni veglën si në ilustrim; **në fillim boshatisni kutinë e barit**
 - ! **sigurohuni që kordoni (zgjatues) nuk është ngatërruar gjatë palosjes/hapjes së dorezës së veglës (mos e hidhni dorezën)**
 - mos vendosni objekte të tjera mbi kositëse kur e vendosni në magazinë
 - magazinoheni kositësen në ambiente të mbyllura në një vend të thatë

MIRËMBAJTJA / SHËRBIMI

- Kjo vegël nuk është e projektuar për përdorim profesional
- Mbajeni gjithmonë veglën dhe kordonin të pastër (veçanërisht të çarët e ajrosjesJ ③)
- Pastroni kositësen pas çdo përdorimi me një furçë dore dhe një copë të butë
- ! **mos përdorni ujë (veçanërisht jo spërkatje me presion të lartë)**
- hiqni prerjet e forta të barit në zonën e thikës me anë të një pajisje druri ose plastike
- Kontrolloni rregullisht kutinë e barit për konsum ose dëmtime
- Kontrolloni rregullisht për konsum ose dëmtim të thikave dhe bulonave dhe zëvendësojeni si komplet për të ruajtur ekuilibrin
- Zëvendësimi i thikës prerëse ⑰
 - ! **hiqni spinën nga burimi i energjisë dhe hiqni kutinë e barit E ③**
 - ! **mbani doreza mbrojtëse**
 - kthejeni përmbys kositësen
 - hiqni/montoni thikën prerëse me një çelës 13 si në ilustrim
 - ! **përdorni vetëm thika prerëse të llojit të duhur (numri i pjesës së ndërrimit 2610Z04069 nga SKIL, shënuar YAT 474 552)**
 - pastroni plotësisht zonën e boshtit dhe pjesën e poshtme të veglës para se të montoni thikën prerëse
 - ! **gjatë montimit të thikës prerëse, sigurohuni që dy vrimat X të përputhen plotësisht me dy kunjat Y**
- Nëse pajisja ka defekt pavarësisht kujdesit në prodhim dhe procedurat e provave, riparimi duhet të kryhet nga një qendër e shërbimit pas shitjes për veglat e punës të SKIL

- dërgoni veglën të çmontuar së bashku me vërtetimin e blerjes te shitësi ose te qendra më e afërt e shërbimit e SKIL (adresat si dhe diagrami i shërbimit i veglës janë të paraqitura në www.skil.com)


ZGJIDHJA E PROBLEMEVE

- Lista e mëposhtme tregon simptomat e problemeve, shkaqet e mundshme dhe veprimet korrigjuese (nëse këto nuk e identifikojnë dhe e zgjidhin problemin, kontaktimi me shitësin tuaj ose pikën përkatëse të shërbimit)

! fikni veglën dhe hiqeni spinën para se të shqyrtoni problemin

- ★ Vegla nuk funksionon
 - nuk ka furnizim me energji -> kontrolloni furnizimin me energji (kabloja elektrike, automatet, siguresat)
 - priza e furnizimit me energji me defekt -> përdorni një prizë tjetër
 - kordoni zgjatues i dëmtuar -> ndërroni kordonin zgjatues
 - bari shumë i lartë -> rritni lartësinë e prerjes dhe anoni veglën
- ★ Vegla punon me ndërprerje
 - kordoni zgjatues i dëmtuar -> ndërroni kordonin zgjatues
 - lidhjet e brendshme me defekt -> kontaktimi me shitësin/pikën e shërbimit
- ★ Vegla lë rezultate jo uniforme ose motori vazhdon të punojë
 - lartësia e prerjes realizuar shumë poshtë -> rritni lartësinë e prerjes
 - thika prerëse e topitur -> ndërroni thikën prerëse
 - pjesa e poshtme e veglës e bllokuar -> pastroni veglën
 - lartësia e prerjes jo uniforme -> vendosni 4 këmbët në të njëjtën lartësi të prerjes
- ★ Thika e prerjes nuk rrotullohet
 - thika prerëse e bllokuar -> pastroni pengesën
 - dadoja/buloni i thikës i liruar -> shtrëngoni dadon/bulonin e thikës
 - ★ Vegla dridhet në mënyrë jo normale
 - thika prerëse e dëmtuar -> ndërroni thikën prerëse
 - dadoja/buloni i thikës i liruar -> shtrëngoni dadon/bulonin e thikës

MJEDISI

- **Mos i hidhni veglat elektrike, aksesorët dhe paketimin së bashku me materialet e mbeturinave familjare** (vetëm për vendet e BE-së)
 - në respektim të Direktivës evropiane 2002/96/EC për pajisjet elektrike dhe elektronike si mbetje dhe zbatimin e saj në përputhje me ligjet kombëtare, pajisjet elektrike që kanë arritur në fund të jetëgjatësisë së tyre duhet të mblidhen të ndara dhe të kthehen në një objekt riciklimi në përputhje me mjedisin.
 - simboli  do t'ju kujtojë për këtë gjë kur të jetë nevoja për t'i hedhur

DEKLARATA E KONFORMITETIT

- Ne deklarojmë me përgjegjësinë tonë të vetme se ky produkt i përshkruar në "Të dhëat teknike" është në përputhje me standardet ose dokumentet e standardizimit si më poshtë: EN 60335, EN 61000, EN 55014

në përputhje me dispozitat e direktivave 2006/95/EC, 2004/108/EC, 2006/42/EC, 2000/14/EC, 2011/65/EU

- **Dosja teknike në:** SKIL Europe BV (PT-SEU/ENG1), 4825 BD Breda, Holandë

Marijn van der Hoofden
Operations & Engineering

Olaf Dijkgraaf
Approvals Manager




SKIL Europe BV, 4825 BD Breda, NL
25.07.2013



ZHURMA/VIBRIMI

- E matur në përputhje me EN 60335, niveli i trysnisë së tingullit i kësaj pajisje është 73 dB(A) dhe niveli i fuqisë së tingullit 93 dB(A) (shmangia standarde: 1,5 dB) dhe vibrimi 2,5 m/s² (metoda e krahut-dorës; pasiguria K = 1,5 m/s²)
 - Matur në përputhje me 2000/14/EC (EN/ISO 3744) niveli i garantuar i fuqisë së zërit LWA është më i ulët se 94 dB(A) (procedura e vlerësimit të konformitetit në përputhje me Shtojcën VI)
Organizimi i njoftuar : KEMA, Arnhem, NL
Numri i identifikimit të organizimit të njoftuar : 0344
 - Niveli i emetimit të vibrimit është matur në përputhje me një provë të standardizuar të dhënë në EN 60335; ajo mund të përdoret për të krahasuar një vegël me një tjetër dhe si një vlerësim paraprak i ekspozimit ndaj vibrimit kur përdorni pajisjen për proceset e përmendura
 - përdorimi i pajisjes për procese të ndryshme, ose me aksesorë të ndryshëm dhe të mirëmbajtur keq, mund të rritë ndjeshëm nivelin e ekspozimit
 - kohët kur pajisja është e fikur dhe kur është e ndezur por jo në punë, mund të zvogëlojnë ndjeshëm nivelin e ekspozimit
- ! mbronni veten nga efektet e vibrimit duke mirëmbajtur pajisjen dhe aksesorët e saj, duke i mbajtur duart e ngrohta dhe duke organizuar mënyrën tuaj të punës**

صداء/ارتعاشات

- اندازه گیری ها بر اساس استاندارد EN 1۰۳۳۵ انجام و مشخص شده که میزان فشار صوتی این ابزار ۷۳ دسی بل و میزان توان صوتی آن ۹۳ دسی بل (با انحراف استاندارد: ۱,۵ دسی بل) و میزان ارتعاشات ۲,۵ متر/مخزور ثانیه می باشد (شبهه دست-بازو. عدم قطعیت K = ۱,۵ متر/مخزور ثانیه)
- اندازه گیری شده مطابق با EN ISO/IEC 1۱۸۰۰۰ (EN/ISO/IEC 1۲۷۴۴) میزان توان صوتی LWA تضمینی این ابزار کمتر از ۹۴ دسی بل است (روش ارزیابی مطابقت و سازگاری بر اساس متمم VI)
- سازمان ابلاغ شده: KEMA, Arnhem, NL شماره شناسایی سازمان ابلاغ شده: ۰۳۴۴
- میزان انتشار ارتعاشات بر اساس تست استاندارد شده ای که در EN ۱۰۳۳۵ معرفی شده است اندازه گیری گردید: از این ارقام می توان برای مقایسه یک ابزار با دیگری و بعنوان ارزیابی اولیه در معرض قرارگیری ارتعاشات هنگام کار با ابزار در کاربری های فوق استفاده کرد
- استفاده کردن از ابزار برای کاربردهای متفاوت: یا با لوازم و متعلقات متفاوت/تفرقه یا لوازم و متعلقاتی که بد نگهداری شده اند. می تواند میزان در معرض قرارگیری را بطور قابل ملاحظه ای افزایش دهد
- مواقعی که ابزار خاموش است یا روشن است ولی کاری با آن انجام نمی شود. میزان در معرض قرارگیری بطور قابل توجهی کاهش می یابد
- ! با نگهداری مناسب از ابزار و لوازم و متعلقات آن، گرم نگه داشتن دست های خود، و سازمان دهی طرح های کاری می توانید خود را در برابر اثرات ارتعاش محافظت کنید

- بررسی کنید و در صورت نیاز آنها را بصورت مجموعه با هم تعویض کنید تا نوزاد کاری ابزار حفظ شود
- عوض کردن تیغه برش (V)
- !سیم برق ابزار را بکشید و مخزن چمن را خارج کنید (C)
- ! دستکشهای محافظ بپوشید
- چمن زن را وارونه کنید
- تیغه برش را مطابق شکل با استفاده از یک آچار ۱۳ باز کرده/سوار کنید
- ! فقط از تیغه های برش یکدیگر از نوع صحیح تعویض کنید (شماره قطعی یکدیگر است: ۹۶۰۴۰۲۰۱۱۲. با علامت TAY ۴۷۴ ۲۵۵)
- پیش از سوار کردن تیغه برش، قسمت شفت و زیر ابزار را با دقت تمیز کنید
- ! هنگام سوار کردن تیغه برش دقت کنید که دو سوراخ X دقیقاً با دو برآمدگی Y جفت شده باشند
- اگر ابزار غیرعمر تمام دقت و مراقبتی که در فرایندهای تولید و تست بکار برده شده از کار افتاد. تعمیرات باید فقط در مراکز خدمات پس از فروش ابزارهای برقی SKIL انجام شود
- ابزار را بصورت باز نشده همراه با رسید خرید به فروشنده یا نزدیک ترین مرکز خدمات رسانی SKIL بفرستید (آدرسها به همراه نمودار نشانه های سرویس ابزار در www.com.skil.com موجود است)

عیب یابی

- علائم و نشانه های اشکالات، دلایل احتمالی و روش های حل مشکلات در لیست زیر ادامه آمده است (اگر بعد از مراجعه به بخش زیر نتوانستید مشکل خود را یافته یا حل کنید. با فروشنده یا مرکز خدمات تماس بگیرید)
- ! پیش از شروع بررسی مشکل، ابزار را خاموش کرده و دوشاخه را بکشید
- ★ ابزار کار نمی کند
- برق قطع است - منبع تغذیه را بررسی کنید (سیم برق، مدارشکنها، فیوزها)
- پریز برق اشکال دارد - از یک پریز دیگر استفاده کنید
- سیم رابط آسیب دیده است - سیم رابط را عوض کنید
- چمن زیادی بلند است - ارتفاع برش را افزایش داده و ابزار را کج کنید
- ★ ابزار بطور متناوب کار می کند
- سیم رابط آسیب دیده است - سیم رابط را عوض کنید
- سیم کشی داخلی اشکال دارد - با فروشنده/مرکز خدمات تماس بگیرید
- ★ برش ضمن منظم نیست یا موتور خیلی سخت کار می کند
- ارتفاع برش خیلی کوتاه است - ارتفاع برش را افزایش دهید
- تیغه برش کند شده است - تیغه برش را عوض کنید
- قسمت زیر ابزار خیلی گرفتگی دارد - ابزار را تمیز کنید
- ارتفاع برش یکنواخت نیست - ک چرخ را در ارتفاع برش یکسان قرار دهید
- ★ تیغه برش نمی چرخد
- تیغه برش گیر کرده است - گیر را رفع کنید
- پیچ/مهوره تیغه شل است - پیچ/مهوره تیغه را سفت کنید
- ★ ابزار بطور غیرعادی می لرزد
- تیغه برش آسیب دیده است - تیغه برش را عوض کنید
- پیچ/مهوره تیغه شل است - پیچ/مهوره تیغه را سفت کنید

محیط زیست

- ابزارهای برقی، لوازم و متعلقات و بسته بندی آنها را نباید همراه با زباله های عادی برقی دور انداخت (فقط مخصوص کشورهای عضو اتحادیه اروپا)
- با توجه به مصوبه اروپایی EC/91/2۰۰۲ اروپا درباره لوازم برقی و الکترونیکی مستعمل و اجرای این مصوبه مطابق با قوانین کشوری، ابزارهای برقی که به پایان عمر مفید خود رسیده اند باید جداگانه جمع آوری شده و به یک مرکز بازیافت مناسب و سازگار با محیط زیست انتقال یابند
- نمداعلامت (1) یادآور این مسئله در هنگام دور انداختن است

اعلامیه مبنی بر رعایت استاندارد C

- ما بر اساس مسئولیت انحصاری خود اعلام می نمایم که محصول شرح داده شده در قسمت «اطلاعات فنی» با استانداردها یا مستندات استاندارد شده زیر سازگاری و مطابق دارد: EN 1۰۳۳۵, EN 1۱۰۰۰, EN ۵۵۰۱۴, مطابق با مفاد مصوبات EC/9۵/۲۰۰۶, EC/۱۰۸۲۰۰۶, EC/۱۲۱۰۰۶, EC/1۵/۲۰۱۱, EC/1۱۸۰۰۰

- چمن زمینهای شنیدار را بصورت عرضی کوتاه کنید (هرگز بصورت بالا و پایین کار نکنید)
- هنگام تغییر جهت در شیب ها خیلی مواظب باشید
- اگر موتور چمن زن هنوز کار می کند هرگز نباید آنرا بلند کرده یا حمل کنید
- اگر سیم برق یا سیم زمین را بپوشانید، آسیب دیده یا گیر کرده است باید همیشه ابزار را خاموش کرده و موشاخه را از پریز بکشید (قبل از کشیدن موشاخه از پریز نباید به هیچ وجه به سیم دست بزنید)
- وقتی که سیم برق ابزار آسیب دیده هرگز از آن استفاده نکنید و از یک فرد متخصص بخواهید آنرا برای شما عوض کند

استفاده

- **مهاریسیم (1)**
 - حلقه سیم رابط را مطابق شکل در مهار سیم A قرار دهید
 - سیم رابط را برای ایمنی محکم بکشید
 - **تنظیم ارتفاع برش (2)**
 - **دوشاخه را از پریز بکشید و اطمینان حاصل کنید که گردش تیغه برش متوقف شده باشد**
 - چمن زن را وارونه کنید
 - محور چرخ جلو و محور چرخ عقب را در ارتفاع دلخواه (۲۸-۴۸ یا ۱۸ میلی متر) تنظیم کنید
 - **دقت کنید که هر چهار چرخ باید در ارتفاع برش یکسانی تنظیم شده باشند**
 - **سوئیچ ایمنی روشن/خاموش (3)**
 - از روشن شدن اتفاقی ابزار جلوگیری می کند
 - برای روشن کردن ابزار باید ابتدا سوئیچ ایمنی C را فشار داده و سپس استارت D را بکشید
 - یا رها کردن استارت D ابزار را خاموش کنید
 - **بعد از خاموش کردن ابزار تیغه ها برای چند ثانیه به گردش ادامه می دهند**
 - چمن زن را با هر دو دست بگیرید
 - چمن زن را در کناره حیاط قرار داده و به سمت جلو هرس کنید
 - بعد از هر رفت جهت حرکت خود را برعکس کرده و کمی روی لبه قسمت هرس شده قبلی برگردید
 - از چمن زن فقط روی چمن خشک استفاده کنید
 - چمن زن را از اشیاء سفت و گیاهان دور نگهدارید
 - برای هرس کردن چمن های بلند، اول مکانیسم برش را روی ارتفاع حداکثر تنظیم کنید و بعد ارتفاع آنرا کم کنید
 - **هنگام کوتاه کردن چمنهای بلند، سرعت راه رفتن خود را تنظیم کنید**
 - **نشانگر "پر بودن مخزن چمن" (4)**
 - مخزن چمن E را به محض اینکه F خوبخود پایین می افتد خالی کنید، چون این امر نشان دهنده پر شدن مخزن چمن است
 - برای تضمین عملکرد بهینه جمع آوری چمن، باید سوراخ های زیر زبانه F را مرتب با یک برس دستی تمیز کنید
- **نگهداری (5)**
 - برای اینکه در فضای نگهداری صرفه جویی شود می توانید دسته ابزار را تا کرده (با استفاده از مهره گوشه دار G) و آنرا مطابق شکل قرار دهید؛ ابتدا مخزن چمن را خالی کنید
 - **هنگامی که دسته ابزار را تا کرده یا باز می کنید دقت کنید که سیم (رابط) گیر نکرده باشد (دسته را نیندازید)**
 - هنگامی که چمن زن را انبار کرده اید، نباید هیچ چیز دیگری روی آن بگذارد
 - چمن زن خود را در فضایی مسطح و خشک نگهداری کنید

نگهداری / سرویس - خدمات

- این ابزار برای مسافرت حرفه ای مناسب نیست
- همیشه ابزار و سیم برق را تمیز نگهدارید (بخصوص شیارهای تهویه L (4))
- بعد از هر بار استفاده، چمن زن را با برس دستی و یک دستمال نرم تمیز کنید
- **از آب استفاده نکنید (علی الخصوص نباید از آب پاش های فشارقوی استفاده کنید)**
- خرد چمن های فشرده شده را از محل قرارگیری تیغه با یک وسیله چوبی یا پلاستیکی خارج کنید
- مخزن چمن را بطور مرتب برای یافتن نشانه های فرسودگی یا آسیب بررسی کنید
- تیغه ها و مهره ها را بطور مرتب برای یافتن نشانه های فرسودگی یا آسیب دیدگی نگاه کنید

- با استفاده کننده ابزار است
- اگر حفاظ پشت یا مخزن چمن ابزار خراب شده است، هرگز با آن کار نکنید
- اگر از ابزار بدون مخزن چمن استفاده می کنید، اطمینان حاصل کنید که حفاظ پشت در وضعیت بسته باشد (خطر جراحت بر اثر گردش تیغه برش)
- همیشه موشاخه را از پریز بکشید
 - هنگامی که ابزار را بدون سرپرستی رها می کنید
 - پیش از برطرف کردن گیر و گرفتگی مواد و اشیاء
 - پیش از بررسی، تمیز یا کار کردن روی ابزار
 - بعد از تصادم با جسم خارجی
 - هرگاه ابزار شروع به لرزش غیرعادی کرد

ایمنی الکتریکی

- سیم ابزار را بطور مرتب بازرسی کرده و در صورت خراب شدن، از یک تعمیرکار واجد شرایط بخواهید آنرا عوض کند
- هنگامی که از این ابزار در محیطهای مرطوب استفاده می کنید، از کلیدهای حفاظت در برابر جریان ناشستی (RCD) با جریان راه اندازی (حساسیت) حداکثر ۳۰ میلی آمپر استفاده نمایید
- سیم های رابط برق باید کاملاً باز شده و ایمن باشند، از سیم هایی با رده بندی ۱۱ آمپر
- فقط از سیم رابطهای نوع H۰۵۷V-F یا H۰۵۷R-N مناسب برای فضای آزاد و مجهز به دوشاخه ضد نفوذ آب و پریز جفت آن استفاده کنید
- سیم (رابط) را لگند نکنید، آنرا له نکرده یا نکشید
- سیم (رابط) ابزار را از گرما، روغن و لبه های تیز دور نگهدارید
- سیم رابط را بصورت دوره ای بازرسی کرده و در صورت آسیب دیدگی تعویض کنید (سیم رابطهای نامناسب می توانند خطرناک باشند)
- رعایت ایمنی اشخاص
 - اگر باربرهنه هستید یا صندل باز به پا دارید با ابزار کار نکنید؛ همیشه کفشهای محکم و شلوار بلند بپوشید
 - با نحوه کار کنترلتلاش و کارکرد اصولی ابزار آشنا شوید
 - هرگز در نزدیکی افراد (بخصوص بچه ها) و حیوانات اقدام به چمن زدن نکنید
 - همیشه دست و پاهای خود را از بخشهای دوار دستگاه دور نگه دارید
 - همیشه خود را از دهانه تخلیه دور نگه دارید
 - موتور را مطابق با دستورالعملها روشن کرده و پاهای خود را کاملاً از تیغه برش دور نگه دارید
- این ابزار نباید توسط افرادی (شامل کودکان) که توانایی های فیزیکی، حساسی یا روانی آنها محدود است، یا فاقد تجربه و دانش لازم هستند بکار برده شود
- مگر اینکه شخصی که مسئول ایمنی آنهاست درباره طرز کار با ابزار به آنها توضیح داده باشد و یا بر کار آنها نظارت کند (مقررات محلی ممکن است محدودیت هایی برای سن استفاده کنندگان تعیین کرده باشد)
- هیچوقت اجازه ندهید کودکان با ابزار بازی کنند
- موقعی که از چمن زن استفاده می کنید باید فقط با سرعت عادی راه بروید (هرگز ندوید)
- اگر چمن سرانگیزی ها را کوتاه می کنید باید جای پای مطمئن داشته باشید و هرگز در شیب های خیلی زیاد از چمن زن استفاده نکنید
- هنگام حرکت به عقب یا کشیدن چمن زن به سمت خود خیلی مواظب باشید

پیش از استفاده

- عملکرد ابزار را پیش از هر بار استفاده کنترل کرده، در صورت مشاهده اشکال دستگاه را فوراً برای تعمیر نزد یک تعمیرکار ماهر ببرید؛ هرگز خودتان ابزار را باز نکنید
- محیطی که قرار است چمن زن را در آن به کار ببرید با دقت بررسی کرده و کلیه اشیاء سختی که ممکن است در مکانیسم برش دستگاه گیر کرده و پرتاب شوند را بردارید
- همیشه دقت کنید که مکانیسم برش در وضعیت کاری مناسب باشد (قطعات آسیب دیده یا فرسوده را عوض کنید)
- برای تضمین کارکرد ایمن دستگاه چمن زن، تمام پیچ و مهره های آنرا سفت کنید

در حین استفاده

- فقط موقعی از دستگاه چمن زن استفاده کنید که نور روز کافی بوده یا محیط با چراغ های مناسب روشن شده باشد
- هنگام استارت زدن یا روشن کردن موتور نباید ابزار را کج کنید، مگر آنکه این کار برای استارت زدن در چمن های بلند لازم باشد (در این حالت نباید ابزار را بیش از اندازه لازم کج کنید و فقط قسمتی از آنرا کج کنید که دور از کاربرد است)؛
- همیشه پیش از گذاشتن دوباره ابزار روی زمین دقت کنید که هر دو دست در وضعیت کاری صحیح قرار داشته باشند
- هنگامی که ابزار را برای رد شدن از سطوحی که چمن نیستند یا هنگامی که آنرا برای حمل و نقل و یا به محلی که می خواهید چمن بزنید کج می کنید، حتماً صبر کنید تا تیغه برش به توقف کامل برسد

- G محکم کردن مهره گوشه دار
- H دستگیره جابجایی ابزار
- J شیارهای تهویه
- K حفاظ پشت

ایمنی

راهنمای ایمنی عمومی

⚠ هشدار! همه دستورات ایمنی و راه‌مائی‌ها را بخوانید. اشتباهات ناشی از عدم رعایت این دستورات ایمنی ممکن است باعث برق‌گرفتگی، سوختگی و یا سایر جراحات‌های شدید شود. همه هشدارهای ایمنی و راه‌مائی‌ها را برای آینده خوب نگهداری کنید. درجا در این راهنما از "ابزار الکتریکی" صحبت میشود. منظور از ابزارهای الکتریکی (باسیم برق) و یا ابزارهای الکتریکی باتری دار (بدون سیم برق) می‌باشد.

- 1 ایمنی محل کار
 - ا) محل کار خود را تمیز، مرتب و همچ‌به‌نور باز کنید. محیط کار نامرتب و کم‌نور میتواند باعث سوانح کاری شود.
 - ب) با ابزار الکتریکی در محیط‌هایی که در آن خطر انفجار وجود داشته و حاوی مایعات، گازها و غبارهای محترقه باشد، کار نکنید. ابزارهای الکتریکی جرقه‌هایی ایجاد می‌کنند که می‌توانند باعث آتش‌گرفتن گرد و بخارهای موجود در هوا شوند.
 - ت) هنگام کار با ابزار الکتریکی، کودکان و سایر افراد را از دستگاه دور نگاه‌دارید. در صورتیکه حواس شما پرت شود، ممکن است کنترل دستگاه از دست شما خارج شود.
 - ۲ ایمنی الکتریکی
 - ا) دوشاخه ابزار الکتریکی باید با پریز برق تناسب داشته باشد. هیچ‌گونه تغییری در دوشاخه ندهید. مبدل دوشاخه نباید همراه با ابزار الکتریکی دارای اتصال به زمین (ارت شده) استفاده شود. مبدل دوشاخه نباید همراه با ابزار الکتریکی دارای اتصال به زمین (ارت شده) استفاده شود.
 - ب) از تماس بدن یا قطعات دارای سیم اتصال به زمین (ارت شده) مانند لوله، شوفاژ، اجاق برقی و یخچال خود داری کنید. در صورتیکه بدن شما با سیم دارای اتصال به زمین (ارت شده) تماس پیدا کند، خطر برق‌گرفتگی بیشتر خواهد شد.
 - ت) دستگاه را از پارازان و رطوبت دور نگاه‌دارید. نفوذ آب به ابزار الکتریکی، خطر شوک الکتریکی را افزایش می‌دهد.
 - ث) از سیم به درستی استفاده کنید. از سیم دستگاه برای کارهایی چون حمل ابزار الکتریکی، ابزارآوان کردن آن و یا خارج کردن دوشاخه از پری استفاده نکنید. دستگاه را در مقابل حرارت، روغن، لیه‌های تیز و بخش‌های متحرک دستگاه دور نگاه‌دارید. کابل‌های آسیب‌دیده و یا گره‌خورده خطر شوک الکتریکی را افزایش می‌دهند.
 - ج) در صورتیکه با ابزار الکتریکی در محیط باز کار می‌کنید، تنه‌ها را کابل یا پستی استفاده کنید که برای محیط باز نیز مناسب باشد. کابل‌های رابط مناسب برای محیط باز، خطر برق‌گرفتگی را کم می‌کنند.
 - ح) در صورت لزوم کار با ابزار الکتریکی در محیط و اماکن مرطوب. در اینصورت باید از یک کلید حفاظتی جریان‌خفا و نشستی‌زمین (کلید قطع‌کننده اتصال یا زمین) استفاده کنید. استفاده از کلید حفاظتی جریان‌خفا و نشستی‌زمین خطر برق‌گرفتگی را کمتر می‌کند.
 - ۳ رعایت ایمنی اشخاص
 - ا) حواس خود را خوب جمع کنید، به کار خود دقت کنید و با فکر و هوش کامل با ابزار الکتریکی کار کنید. در صورت خستگی و یا در صورتیکه مواد مخدر، الکل و دارو استفاده کرده‌اید، کار با ابزار الکتریکی کار نکنید. یک خطه بی‌توجهی هنگام کار با ابزار الکتریکی، میتواند جراحات‌های شدیدی به همراه داشته باشد.
 - ب) همواره از چ‌ج‌بازات ایمنی شخصی استفاده کنید. همواره از عینک ایمنی استفاده کنید. استفاده از چ‌بازات ایمنی مانند ماسک ایمنی، کفش‌های ایمنی ضد لغزش، کلاه ایمنی و گوشی ایمنی متناسب با نوع کار با ابزار الکتریکی، خطر مجروح شدن را تقلیل می‌دهد.
 - ت) مواظب باشید که ابزار الکتریکی بطور ناخواسته بکار نیفتد. قبل از وارد کردن دوشاخه دستگاه در پریز برق، اتصال آن به باتری، برداشتن آن و یا حمل دستگاه، باید دقت کنید که ابزار الکتریکی خاموش باشد. در صورتیکه هنگام حمل دستگاه انگشت شما روی دکمه قطع و وصل باشد و یا دستگاه را در حالت روشن به برق بزنید، ممکن است سوانح کاری پیش آید.
 - ث) قبل از روشن کردن ابزار الکتریکی، باید همه ابزارهای تنظیم‌کننده و آچارها را

- از روی دستگاه بردارید. ابزارها آچارهائی که روی بخش‌های چرخنده دستگاه قرار دارند، می‌توانند باعث ایجاد جراحات شوند.
- ج) بیش از حد به آنها نزدیک نشوید. برای کار جای مطمئن برای خود انتخاب کرده و تعادل خود را همواره حفظ کنید. به این ترتیب می‌توانید ابزار الکتریکی را در وضعیت ایمنی غیر منظره بهتر تحت کنترل داشته باشید.
- ح) لباس مناسب بپوشید. از پوشیدن لباس‌های فراخ و حمل زینت آلات خود داری کنید. موه، لباس و دستکش‌ها را از بخش‌های در حال چرخش دستگاه دور نگاه‌دارید. لباس‌های فراخ، موی بلند و زینت آلات ممکن است در قسمت‌های در حال چرخش دستگاه گیر کنند.
- خ) در صورتیکه می‌توانید وسائلی مکش‌گرد و غبار و یا سیلیه جذب‌زنده را به دستگاه نصب کنید، باید مطمئن شوید که این وسائلی نصب و درست استفاده می‌شوند. استفاده از وسائلی مکش‌گرد و غبار مصونیت شما را در برابر گرد و غبار زیاد نمی‌کند.
- ۴ استفاده صحیح از ابزار الکتریکی و مراقبت از آن
 - ا) از وارد کردن فشار زیاد روی دستگاه خود داری کنید. برای هر کاری، از ابزار الکتریکی مناسب با آن استفاده کنید. بکار گرفتن ابزار الکتریکی مناسب باعث می‌شود که بتوانید از توان دستگاه بهتر و با اطمینان بیشتر استفاده کنید.
 - ب) در صورت ایراد در کلید قطع و وصل ابزار برقی، از دستگاه استفاده نکنید. ابزار الکتریکی که نمی‌توان آن‌ها را قطع و وصل کرد، خطرناک بوده و باید تعمیر شوند.
 - ت) قبل از تنظیم ابزار الکتریکی، تعویض متعلقات و یا کنار گذاشتن آن، دوشاخه را از پریز کشیده و یا باتری آنرا خارج کنید. رعایت این اقدامات پیشگیری ایمنی از راه افتادن ناخواسته ابزار الکتریکی جلوگیری می‌کند.
 - ث) ابزار الکتریکی را در صورت عدم استفاده، از دسترس کودکان دور نگاه‌دارید. اجازه ندهید که افراد نا وارد و یا اشخاصی که این دفتر چه راه‌ما را نخوانده‌اند، با این دستگاه کار کنند. فرار گرفتن ابزار الکتریکی در دست افراد ناوارد و بی‌جذبه خطرناک است.
 - ج) از ابزار الکتریکی خوب مراقبت کنید. مواظب باشید که قسمت‌های متحرک دستگاه خوب کار کرده و گیر نکنند. همچنین دقت کنید که قطعات ابزار الکتریکی شکسته و یا آسیب‌دیده نباشند. قطعات آسیب‌دیده را قبل از شروع به کار تعمیر کنید. علت بسیاری از سوانح کاری، عدم مراقبت کامل از ابزارهای الکتریکی می‌باشد.
 - ح) ابزار برش را تمیز و تمیز نگاه‌دارید. ابزار برشی که خوب مراقبت شده و از لیه‌های تیز برخوردارند، کمتر در قطعه کار گیر کرده و بهتر قابل هدایت می‌باشند.
 - خ) ابزارهای الکتریکی، متعلقات، ابزارهای که روی دستگاه نصب می‌شوند و غیره را مطابق دستورات این جزوه راهنما طوری به کار گیرید که با مدل این دستگاه تناسب داشته باشند. همچنین به شرایط کاری و نوع کار توجه کنید. کاربرد ابزار برقی برای موارد کاری که برای آن در نظر گرفته نشده است، میتواند شرایط خطرناکی را منجر شود.
 - ۵ سرویس
 - ا) برای تعمیر ابزار الکتریکی فقط به متخصصین حرفه‌ای رجوع کرده و از وسائلی بدکی اصل استفاده کنید. این باعث خواهد شد که ایمنی دستگاه شما تضمین گردد.

راهنمای ایمنی اختصاصی برای چمن زن

شرح علائم و نمادهای روی ابزار

- ④ پیش از کار، حتماً دفترچه راهنما را مطالعه کنید
- ⑤ علائم دوشاخه (نمایی به سیم اتصال به زمین - ارت نیست)
- ① مطابق دستورات این جزوه راهنما طوری به کار گیرید که با مدل این دستگاه باشید (افراد دیگر باید در فاصله مطمئنی از محیط کار شما قرار داشته باشند)
- ② مراقب تیغه‌های تیز باشید
- ⑧ سیم برق (رابط) را از تیغه برش در حین چرخش دور نگه‌دارید
- ⑨ تیغه برش جراثم کوثایی بعد از خاموش شدن ابزار به گردش خود ادامه می‌دهد (به تیغه در حال گردش دست نزدیک)
- ⑩ پیش از تمیز کردن/انجام کارهای نگهداری یا در صورتی که سیم (رابط) آسیب دیده یا گیر کرده است باید ابزار را خاموش کرده و دوشاخه آنرا از پریز بکشید
- ⑪ ابزار را همراه زباله‌های خاکی دور نیندازید

عمومی

- چمن زن را روی چمنهای خیس بکار نبرید
- مسئولیت هرگونه حادثه یا خطرات بوجود آمده برای دیگر افراد یا مال و اموال آنها

الصيانة / الخدمة

- لم يتم تصميم هذه الأداة للاستخدام الاحترافي;
- احرص دائماً على نظافة الأداة والسلك (وخصوصاً فتحات التهوية L)؛
- نظف آلة جز الحشائش بعد كل استخدام بواسطة فرشاة يدوية وقطعة قماش ناعمة.

! لا تستخدم الماء (يحذر على وجه الخصوص الرشاشات عالية الضغط):

- أزل قطع العشب المتكتلة من منطقة الشفرة باستخدام أداة خشبية أو بلاستيكية;
- قم بانتظام بفحص صندوق الأعشاب للتحقق من عدم تعرضه لتآكل أو التلف;
- قم بانتظام بالتحقق من الشفرات والبراغي المتآكلة أو التالفة وقم باستبدالها في مجموعات للحفاظ على التوازن;
- استبدال شفرة القطع (V)

! أفضل القابض عن مصدر الطاقة وقم بإزالة صندوق الأعشاب E (P):

- ! ارتدي قفازات وقاية:
- أقلب آلة جز الحشائش;
- قم بإزالة وتركيب شفرة القطع باستخدام مفتاح الربط ١٢ كما هو موضح في الشكل:
- ! لا يستخدم سوى شفرات القطع من النوع المناسب (رقم قطعة الغيار من الأهرزاز ٢,٥ م/ث^٢ بطريقة اهتزاز اليد: K غير مؤكد = ١,٥ م/ث^٢):
- نظف منطقة العمود والجانب السفلي من الأداة جيداً قبل تركيب شفرة القطع:

! تأكد من التوافق التام للفتحتين X مع الثلمتين Y عند تركيب شفرة القطع:

- إذا تعذر تشغيل الأداة على الرغم من الحذر الشديد في إجراءات التصنيع والاختبار، فيجب القيام بالإصلاحات بواسطة مركز خدمة ما بعد البيع لادوات الطاقة التابع لشركة SKIL.
- قم بإرسال الأداة دون تفكيكها بالإضافة إلى إثبات الشراء إلى البائع أو أقرب محطة خدمة SKIL (العناوين بالإضافة إلى مخطط الخدمة متاح على com.skil.www)

اكتشاف المشاكل وإصلاحها

- توضح القائمة التالية أعراض المشاكل والأسباب المحتملة والإجراءات التصحيحية (إذا لم يعمل ذلك على التعرف على المشكلة وإصلاحها، اتصل بالبائع أو محطة الخدمة):

! قم بإيقاف تشغيل الأداة وأفضل القابض قبل التحقيق في المشكلة:

★ تعذر تشغيل الأداة:

- لا يتم إمداد الطاقة -> قم بفحص مصدر الطاقة (كابل الطاقة، قواطع الدائرة الكهربائية، المصهرات):
- في حالة تعطل مقبض إمداد الطاقة -> استخدم مقبض آخر:
- في حالة تلف سلك التمديد -> استبدل سلك التمديد;
- الأعشاب طويلة للغاية -> قم بزيادة ارتفاع القطع وأمل الأداة:

★ الأداة تعمل بشكل متقطع

- في حالة تلف سلك التمديد -> استبدل سلك التمديد;
- في حالة تلف السلك الداخلي -> اتصل بالبائع/محطة الخدمة:
- ★ الأداة تترك نهايات الأعشاب متعرجة أو المحرك يعمل:
- قطع ارتفاع القطع منخفض جداً -> قم بزيادة ارتفاع القطع;
- شفرة القطع غير حادة -> استبدل شفرة القطع;
- الجانب السفلي من الأداة مسدود للغاية -> نظف الأداة;
- ارتفاع القطع غير منتظم -> اضبط العجلات الأربعة في نفس ارتفاع القطع

★ شفرة القطع لا تدور

- تمت إعاقة شفرة القطع -> قم بإزالة المعوقات;
- صامولة/مسمار الشفرة مفكوك -> احكم ربط صامولة/مسمار الشفرة;
- ★ الأداة تهتز بشكل غير معتاد
- شفرة القطع تالفة -> استبدل شفرة القطع;
- صامولة/مسمار الشفرة مفكوك -> احكم ربط صامولة/مسمار الشفرة;

البيئة المحيطة

- لا تتخلص من الأدوات الكهربائية والملحقات ومواد التغليف مع النفايات المنزلية (لدول الاتحاد الأوروبي فقط):
- وفقاً للتوجيه الأوروبي 2002/96/EC حول نفايات المعدات الكهربائية والإلكترونية وتطبيقه بالتوافق مع القانون المحلي، يجب جمع الأدوات الكهربائية منتهية الصلاحية بشكل منفصل وإرسالها إلى أحد منشآت إعادة التصنيع المتوافقة مع البيئة:
- سنبذك الرمز (1) بهذا عند الحاجة إلى التخلص من أية أداة:

إعلان توافق CE

نحن نقر على مسؤوليتنا الخاصة أن المنتج الموضح في "البيانات الفنية" يتوافق مع المعايير أو المستندات التعبيرية التالية: EN 6٠٣٣٥ و EN ٦١٠٠٠ و EN ٥٥٠١٤ بالتوافق مع شروط التوجيهات ٢٠٠٦/٩٥/EC و ٢٠٠٤/١٠٨٢/EC و ٢٠٠٦/١٠٠٠/EC و ٢٠٠٠/١٤٢/EC و ٢٠١١/٢٠٢/EC

الملف الفني على: NL, Breda BD ٤٨٢٥, SKIL Europe BV (PT-SEU/ENG) 1

Marijn van der Hoofden
Operations & Engineering

Olaf Dijkgraaf
Approvals Manager

SKIL Europe BV, 4825 BD Breda, NL
25.07.2013

CE12

الضوضاء/الاهتزاز

- عند القياس بالتوافق مع EN 6٠٣٣٥ يكون مستوى ضغط صوت هذه الأداة هو ٧٣ ديسيبل (أ) ومستوى طاقة الصوت ٩٣ ديسيبل (أ) (الانحراف المعياري: ١,٥ ديسيبل). والاهتزاز ٢,٥ م/ث^٢ (طريقة اهتزاز اليد: K غير مؤكد = ١,٥ م/ث^٢).
- عند القياس بالتوافق مع EN/ISO 11٤٢٠٠٠ (٣٧٤٤ EC) يكون مستوى طاقة الصوت المضمون LWA أقل من ٩٤ ديسيبل (أ) (إجراء تقييم المطابقة وفقاً للملحق VI)

الهيئة المحطّرة: KEMA, Arnhem, NL

رقم تعريف الهيئة المحطّرة: ٣٤٤-

- تمّ قياس مستوى الاهتزازات بالتوافق مع الاختبار المعياري الجهد في EN 6٠٣٣٥. يمكن استخدامه لمقارنة أداة بأداة أخرى وتقييم تهيدي للتعرض للاهتزاز عند استخدام الأداة في التطبيقات الموضحة:

- قد يؤدي استخدام الأداة في تطبيقات مختلفة أو مع ملحقات مختلفة أو ذات صيانة رديئة إلى زيادة مستوى التعرض بصورة كبيرة.
- إن الفترة الزمنية التي يتم خلالها إيقاف تشغيل الأداة أو عندما تكون قيد التشغيل لكنها لا تؤدي أية مهام، تؤدي إلى تقليل مستوى التعرض بصورة كبيرة.
- ! قم بحماية نفسك من تأثيرات الاهتزاز من خلال صيانة الأداة وملحقاتها، والحفاظ على يديك وداخيتن وتنظيم أنماط العمل لديك:

FA

٠٧١٥

چمن زن

مقدمه

- این ابزار صرفاً برای هرس کردن چمن و علفهای حیاط منازل طراحی شده است
- این ابزار برای مصارف حرفه ای مناسب نیست
- مطمئن شوید که تمام اجزا و قطعات نشان داده شده در شکل (1) در بسته بندی باشند
- اگر قطعاتی مفقود شده یا آسیب دیده اند، لطفاً با فروشنده خود تماس بگیرید
- دستورالعملهای سوار کردن (1)
- ترتیب شماره تصاویر با ترتیب مراحل که باید برای سوار کردن چمن زن انجام دهید همخوانی دارد

! همه پیچ و مهره ها را سفت کنید

- لطفاً پیش از کار با دستگاه این دفترچه راهنما را با دقت مطالعه کرده و آنرا برای استفاده آتی نگه دارید (2)

اطلاعات فنی (1)

اجزای ابزار (3)

- A مهار سیم
- B گیره سیم
- C کلید ایمنی
- D کلید استارت
- E مخزن چمن
- F شتابگر "بر بودن مخزن چمن"

تعليمات السلامة الخاصة بآلات جز الحشائش

شرح الرموز الموجودة على الآداة

- ④ قم بقراءة دليل الإرشادات قبل الاستخدام
- ⑤ العزل المزود (لا يلزم سلك أرضي؛
- ① انتبه إلى خطورة التعرض للإصابة بسبب الخلفات الطائرة (حافظ على المارة بعيداً عن منطقة العمل بمسافة آمنة؛
- ⑥ احذر من الشفرات الحادة؛
- ⑧ ابق سلك التمديد بعيداً عن شفرة القطع الدوارة؛
- ⑨ تستمر شفرة القطع في الدوران لمدة قصيرة بعد إيقاف تشغيل الآداة (لا تلمس الشفرة الدوارة)؛
- ⑩ قم بإيقاف التشغيل وفصل القابض قبل إجراء التنظيف/الصيانة أو إذا تعرض السلك (التمديد) للتلوث أو الانحناء؛
- ⑪ لا تتخلص من الآداة مع النفايات المنزلية؛

معلومات عامة

- قم بفحص نظامها للمنطقة التي ستستخدم فيها آلة جز حشائش وأزل كل الأشياء الصلبة التي قد تعلق وتُغذى بفعل آلية القطع؛
- تأكد دائماً من أن آلية القطع في حالة تشغيل جيدة (استبدل الأجزاء التالفة أو البالية)؛
- حافظ على إحكام ربط جميع الصواميل والمسامير والبراغي للتأكد من وجود آلة جز الحشائش في حالة عمل آمنة؛
- **أثناء الاستخدام**
- لا تقم بجز الحشائش إلا في ضوء نهار كافي أو مع توفير إضاءة صناعية مناسبة؛
- لا تقم بإمالة الآداة عند بدء أو تشغيل المحرك، إلا إذا كان يجب إمالة الآداة للبدء على أعشاب طويلة (في هذه الحالة، لا تقم بإمالتها أكثر مما يجب، وبم إمالة الجزء البعيد عن المشغل فقط)؛ تأكد دائماً من أن كلنا اليدين في وضع التشغيل قبل إعادة الآداة إلى الأرض؛
- تأكد من توقف شفرة القطع تماماً عند إمالة الآداة للمرور بأسطح بخلاف الأعشاب وعند نقلها إلى ومن المنطقة المراد جز حشائشها؛
- قم بجز الحشائش عبر سطح المنحدرات (لا تقم بالجزّ مطلقاً إلى أعلى وأسفل)؛
- توجّ شديد الحذر عند تغيير الاتجاه على المنحدرات؛
- لا تقم مطلقاً بالانطاف أو حمل آلة جزّ الحشائش أثناء تشغيل المحرك؛
- قم دائماً بإيقاف تشغيل الآداة وفصل القابض من مصدر الطاقة إذا تعرض سلك إمداد الطاقة أو سلك التمديد للقطع أو التلف أو الانحناء (لا تقم بلمس السلك قبل فصل القابض)؛
- يحظر نهائيًا استخدام الآداة في حالة تلف السلك، بل قم باستبداله من قبل أحد الأفراد المؤهلين

الاستخدام

① ماسك السلك

- قم بتعليق العذرة في سلك التمديد أعلى الماسك A كما هو موضح في الشكل؛
- اسحب بإحكام لتأمين سلك التمديد؛
- ضبط ارتفاع القطع (18-28 أو 28-48 ملم) ②
- ! **افصل القابض عن مصدر الطاقة وتأكد من أن نصل القطع قد توقف عن الدوران؛**
- أقلب آلة جز الحشائش؛
- قم بوضع كلاً من محور العجلات الأمامية ومحور العجلات الخلفية في وضع ارتفاع القطع المطلوب (18 أو 28 أو 48 م)؛
- ! **تأكد من تثبيت العجلات الأربعة في نفس وضع ارتفاع القطع؛**
- **مفتاح الأمان للتشغيل/إيقاف التشغيل ③**
- يحول دون تشغيل الآداة عن غير قصد؛
- قم بتشغيل الآداة بالضغط أولاً على مفتاح الأمان C، ثم سحب مفتاح التشغيل D؛
- أوقف تشغيل الآداة عن طريق خريز مفتاح الزناد D؛
- ! **بعد إيقاف تشغيل الآداة تستمر الشفرة في الدوران لبضع ثوانٍ؛**
- **تعليمات التشغيل**
- ثبت آلة جز الحشائش بكلتا يديك؛
- ضع آلة جز الحشائش على حافة الحشائش وقم بالجز في اتجاه أمامي؛
- لا عكس الاتجاه في نهاية كل دورة، وتخطى شريط القطع السابق برفق؛
- لا تستخدم آلة جز الحشائش إلا على عشب جاف؛
- ابق آلة جز الحشائش بعيداً عن الأشياء والنباتات الصلبة؛
- جز عشب طويل، اضبط آلية القطع على أقصى ارتفاع قطع ثم على ارتفاع أقل؛
- ! **اضبط سرعة المشي عند جزّ أعشاب طويلة؛**
- مؤشّر "امتلاء صندوق الأعشاب" ④
- أفرغ صندوق الأعشاب E فور انخفاض الغطاء F من تلقاء ذاته مشيراً إلى امتلاء صندوق الأعشاب؛
- للحصول على أفضل أداء لجمع الأعشاب، نظّف الفتحات الموجودة أسفل الغطاء F بانتظام باستخدام فرشاة يدوية؛
- **التخزين ⑤**
- اطو مضيق الآداة لتوفير مساحة كبيرة للتخزين (باستخدام صامولة مجنحة G)، ثم قم بتخزين الآداة كما هو موضح في الشكل، قم بتفريغ صندوق الأعشاب أولاً؛
- ! **تأكد من عدم حيس سلك (التمديد) أثناء طي/فرد مضيق الآداة (لا تسقط المضيق)؛**
- لا تضع أشياء أخرى فوق آلة جز الحشائش عند تخزينها؛
- خزّن آلة جز الحشائش في مكان مغلق وجاف؛

- جنب تشغيل آلة الجزّ على حشائش مبللة؛
- يُعدّ المستخدم هو المسئول عن الحوادث أو المخاطر التي قد يتعرض لها أشخاص آخرون أو ممتلكاتهم؛
- لا تقم بتشغيل الآداة مطلقاً مع وجود وافي خلفي تالف أو صندوق أعشاب تالف؛
- تأكد من وجود الواقي الخلفي في وضع مغلق عند تشغيل الآداة بدون صندوق الأعشاب (خطورة التعرض للإصابة بسبب شفرة القطع الدوارة)؛
- احرص دائماً على فصل القابض من مصدر الطاقة؛
 - متى قمت بترك الآداة بدون مراقبة؛
 - قبل تنظيف المواد العالقة؛
 - قبل فحص الآداة أو تنظيفها أو تشغيلها؛
 - بعد رؤية جسم غريب؛
 - متى بدأت الآداة في الاهتزاز بشكل غير معتاد؛

الأمان الكهربائي

- قم بفحص السلك بشكل دوري وإذا تعرض للتلوث، استعن بشخص مؤهل لاستبداله؛
- عند تشغيل الآداة في بيئات رطبة، استخدم قاطع الدورة (RCD) باستخدام نيار بدم إشعال مقداره 30 مللي أمبير بحد أقصى؛
- استخدم أسلاك تمديد مفكوكة تماماً وأمنة سعة 16 أمبير (13 أمبير في بريطانيا العظمى)
- لا تستخدم سوى سلك تمديد من نوع H 05VV-F أو H 05RN-F المخصص للاستخدام في المناطق المفتوحة ومرزوق بقابض مسبك للماء ومقيس وصل؛
- لا تخطأ بتقييم قوّة سلك (التمديد) أو تدهسه أو تنسجه؛
- قم بحماية سلك (التمديد) من الحرارة والزيت والجواف الحادة؛
- قم بفحص سلك التمديد بشكل دوري واستبدله في حال تلفه (أسلاك التمديد غير الملائمة قد تكون خطيرة)؛

أمان الأشخاص

- لا تقم بتشغيل الآداة عندما تكون حافي القدمين أو ترتدي صندل مفتوح؛ يجب عليك دائماً ارتداء أحذية قوية وسراويل طويلة؛
- قم بالتعرف على عناصر التحكم الموجودة في الآداة وكيفية الاستخدام؛
- لا تقم بجز الحشائش على مقربة من أشخاص (وخاصة الأطفال) وحيوانات؛
- ابق الأيدي والأقدام بعيداً عن الأجزاء الدوارة؛
- ابق دوها بعيداً عن فتحة التفرغ؛
- قم بتشغيل المحرك وفقاً للتعليمات وابق القدمين بعيداً عن شفرة القطع على نحو مناسب؛
- لم يتم تصميم هذه الآداة للاستخدام بواسطة أفراد (بما فيهم الأطفال) ذوي قدرات بدنية أو حسية أو عقلية منخفضة أو محدودى الخبرة والعرفه ما لم يتم الإشراف عليهم، أو تزويدهم بالتعليمات المتعلقة بكيفية استخدام الآداة بواسطة فرد مسئول عن سلامتهم (يمكن للتعليمات المحلية أن تقيد عمر الشغل)؛
- تأكد من أن الأطفال لا يعينون بالآداة؛
- قم بتشغيل آلة جز الحشائش بسرعة المشي فقط (لا جري)؛
- حافظ على ثبات قدميك بشكل جيد على المنحدرات ولا تقم بجز الحشائش من على منحدرات شديدة الانحدار؛
- توجّ شديد الحذر عند التحرك للخلف أو سحب آلة جز الحشائش ناحيتك؛
- قبل الاستخدام
- خفّف من وظيفة الآداة قبل كل استخدام، وفي حالة وجود عطل، فقم على الفور بإصلاحها على يد أحد المؤهلين ويحظر نهائيًا فتح الآداة بنفسك؛

مقدمة

- هذه الأداة مصممة جَزّ الحشائش منزليًا فقط؛
- لم يتم تصميم هذه الأداة للاستخدام الاحترافي؛
- تأكد أن الغلف يحتوي على جميع الأجزاء كما هو موضح في الشكل (٢)؛
- في حالة تعرض أجزاء لفقد أو التلف، يرجى الاتصال بالبالغ الذي اشتريته منه؛
- تعليمات التجميع (٢)

- يتفق ترتيب الأرقام الظاهرة في الصور مع ترتيب الخطوات التي يجب إتباعها لتجميع آلة جَزّ الحشائش:

! احكم تثبيت جميع المسامير والصواميل:

- اقرأ دليل الإرشادات هذا بعناية قبل الاستخدام واحتفظ به كمرجع في المستقبل (٤)

البيانات الفنية (١)

مكونات الأداة (٣)

- A ماسك السلك
- B مشبك السلك
- C مفتاح الأمان
- D مفتاح التشغيل
- E صندوق الأعشاب
- F مؤشر "امتلاء صندوق الأعشاب"
- G صامولة تأمين مجنحة
- H مقبض النقل
- J فتحات التهوية
- K الوافي الخلفي

أمان

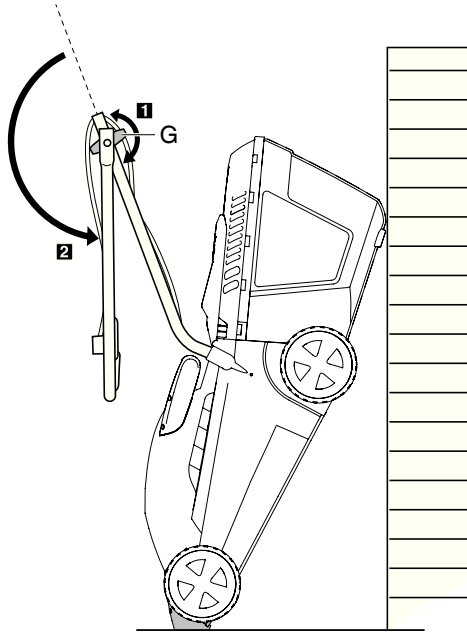
تعليمات السلامة العامة

⚠ خذبر! اقرأ جميع الملاحظات التحذيرية والتعليمات. إن ارتكاب الأخطاء عند تطبيق الملاحظات التحذيرية والتعليمات قد يؤدي إلى الصدمات الكهربائية، إلى نشوب الحرائق أو/أو الإصابة بجروح خطيرة. احتفظ بجميع الملاحظات التحذيرية والتعليمات للمستقبل. يقصد بمصطلح "العدة الكهربائية" المستخدم في الملاحظات التحذيرية، العدد الكهربائي الموصولة بالشبكة الكهربائية (بواسطة كابل الشبكة الكهربائية) وأيضاً العدد الكهربائي المزودة بطارية (دون كابل الشبكة الكهربائية).

- (١) الأمان مكان الشغل
 - أ) حافظ على نظافة وحسن إضاءة مكان شغلك الفوضوية في مكان الشغل ومجالات العمل الغير مضائة قد تؤدي إلى حدوث الحوادث.
 - ب) لا تشغل بالعدة الكهربائية في محيط معرض خطر الانفجار والذي تتوفر فيه السوائل أو الغازات أو الأبخرة القابلة للاشتعال. العدد الكهربائي تشكل النسر الذي قد يتطاير فينبغ الأبخرة والأخيرة.
 - ت) حافظ على بقاء الأطفال وغيرهم من الأشخاص على بعد عندما تستعمل العدد الكهربائي. قد تفقد السيطرة على الجهاز عند التلهي.
- (٢) الأمان الكهربائي
 - أ) يجب أن يتلاءم قابس وصل العدد الكهربائي مع المقبس. لا يجوز تغيير القابس بأي حال من الأحوال. لا تستعمل القوابس الهابئة مع العدد الكهربائي المؤرثة تأريض وقائي. تخفض القوابس التي لم يتم تغييرها والقابس الملائمة من خطر الصدمات الكهربائية.
 - ب) جنب ملامسة السطوح المؤرثة كالأنابيب وراياتوات التدفئة والمدافئ أو البرادات بواسطة جسمك. يزداد خطر الصدمات الكهربائية عندما يكون جسمك مؤرض.
 - ت) أبعد العدد الكهربائي عن الأمطار أو الرطوبة. يزداد خطر الصدمات الكهربائية إن تسرب الماء إلى داخل العدد الكهربائي.

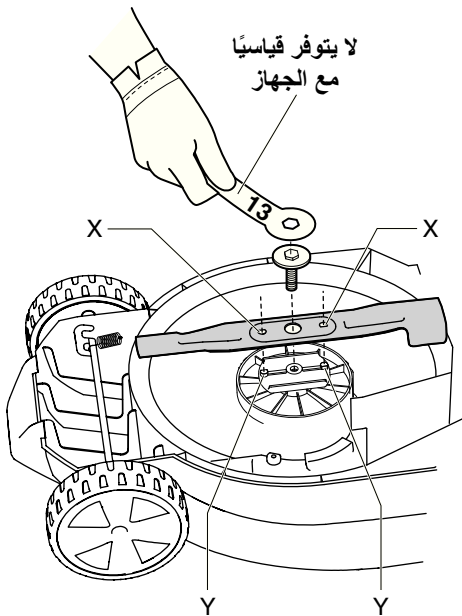
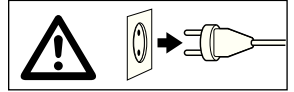
- (٤) يجب عدم إساءة استخدام الكابل. لا تسنّ استعمال الكابل لحمل العدة الكهربائية وتعليقها أو لسحب القابس من المقبس. حافظ على إبعاد الكابل عن الحرارة والزيت والحواف الحادة أو عن أجزاء الجهاز المتحركة. تزيد الكابلات التالفة أو المتشابكة من خطر الصدمات الكهربائية.
- ج) استخدم فقط كوابل التمديد الصالحة للاستعمال الخارجي أيضا عندما تشغل بالعدة الكهربائية في الحلاء. يخفض استعمال كابل تمديد مخصص للاستعمال الخارجي من خطر الصدمات الكهربائية.
- ح) إن لم يكن بالإمكان عدم تشغيل العدد الكهربائي في الأجواء الرطبة. فاستخدم فقط الكابلات الوافية من التيار المتردد. إن استخدام مفتاح للوقاية من التيار المتردد يقلل خطر الصدمات الكهربائية.
- ٣) أمان الأشخاص
 - أ) كن يقظا وأنتبه إلى ما تفعله وقم بالعمل بواسطة العدة الكهربائية بتعقل. لا تستخدم عدة كهربائية عندما تكون متعب أو عندما تكون تحت تأثير المخدرات أو الكحول أو الأدوية. عدم الإتيان للحظة واحدة عند استخدام العدة الكهربائية قد يؤدي إلى إصابة خطيرة.
 - ب) ارتد عتاد الوافية الخاص. وارتد دائما نظارات واقية. يجب إرتداء عتاد الوافية الخاص. كقناع الوافية من الغبار وأخذية الأمان الواقية من الإرتطاق والحوذ واقية الأذنين. حسب نوع وإستعمال العدة الكهربائية. من خطر الإصابة بجروح.
 - ت) جنب التشغيل بشكل غير مقصود. تأكد من كون العدة الكهربائية مطفأة قبل وصلها بإمداد التيار الكهربائي و/أو بالمركم، وقبل رفعها أو حملها. إن كنت تضع إصبعك على المفتاح أثناء حمل العدة الكهربائية أو إن وصلت الجهاز بالشبكة الكهربائية عندما يكون قيد التشغيل. فقد يؤدي ذلك إلى حدوث الحوادث.
 - ث) انزع عدد الضبط أو مفتاح الربط قبل تشغيل العدة الكهربائية. قد تؤدي العدة أو الفتحاح المتواجد في جزء دوار من الجهاز إلى الإصابة بجروح.
 - ج) جنب أوضاع الجسد غير الطبيعية. فف بأمان وحافظ على توازنك دائما. سيسمح لك ذلك من السيطرة على الجهاز بشكل أفضل في المواقف غير المتوقعة.
 - ح) ارتد ملابس مناسبة. لا ترتدي الثياب الضففاضة أو الخلي. حافظ على إبقاء الشعر والثياب والقفازات على بعد عن أجزاء الجهاز المتحركة. قد تتشابك الثياب الضففاضة والخلي والشعر الطويل بالأجزاء المتحركة.
 - خ) إن جاز تركيب جهاز شفط وجميع الغبار فتأكد من أنها موصولة وأنه يتم استخدامها بشكل سليم. قد يقلل إستخدام جهاير شفط الأغبرة من المخاطر الناتجة عن الأغبرة.
- ٤) حسن معاملة واستخدام العدد الكهربائي
 - أ) لا تفرط في حميل الجهاز. إستخدم لتنفيذ أشغالك العدة الكهربائية المخصصة لذلك. إنك تعمل بشكل أفضل وأكثر أمانا بواسطة العدة الكهربائية الملائمة في مجال الأداء المذكور.
 - ب) لا تستخدم العدة الكهربائية إن كان مفتاح تشغيلها تالف. العدة الكهربائية التي لم تعد تسمح بتشغيلها أو بإطافئها خطيرة ويجب أن يتم تصليحها.
 - ت) اسحب القابس من المقبس و/أو انزع المركم قبل ضبط الجهاز وقبل إستبدال التوابع أو قبل وضع الجهاز جانباً. تمنع إجراءات الاحتياط هذه تشغيل العدة الكهربائية بشكل غير مقصود.
 - ث) احتفظ بالعدد الكهربائي التي لا يتم إستخدامها بعيدا عن متال الأطفال. لا تسمح بإستخدام العدة الكهربائية لمن لاخبرة له بها أو لمن لم يقرأ تلك التعليمات. العدد الكهربائي خطيرة إن تم استخدامها من قبل أشخاص دون خبرة.
 - ج) إنج بالعدة الكهربائية بشكل جيد. تفحص عما إذا كانت أجزاء الجهاز المتحركة تعمل بشكل سليم وبأنها غير مستعصية عن الحركة أو إن كانت هناك أجزاء مكسورة أو تالفة لدرجة تؤثر فيها على حسن أداء العدة الكهربائية. ينبغي تصليح هذه الأجزاء التالفة قبل إعادة تشغيل الجهاز. الكثير من الحوادث مصدرها العدد الكهربائي التي تم صيانتها بشكل ردي.
 - ح) حافظ على إخماد عدد القطع نظيفة وحادة. إن عدد القطع ذات حواف القطع الحادة التي تم صيانتها بعناية تتكليس بشكل أقل وتكون توجيهها بشكل أيسر.
 - خ) استخدم الكهربائي والتوابع وعدد الشغل والخ حسب هذه التعليمات. تراعى أثناء ذلك شروط الشغل والعمل المراد تنفيذه. استخدام العدد الكهربائي لغير الأشغال المخصصة لأجلها قد يؤدي إلى حدوث الحالات الخطيرة.
 - ٥) الخدمة
 - أ) اسمح بتصليح عدتك الكهربائية فقط من قبل المتخصصين فقط باستعمال قطع الغيار الأصلية. يؤمن ذلك المحافظة على أمان الجهاز.

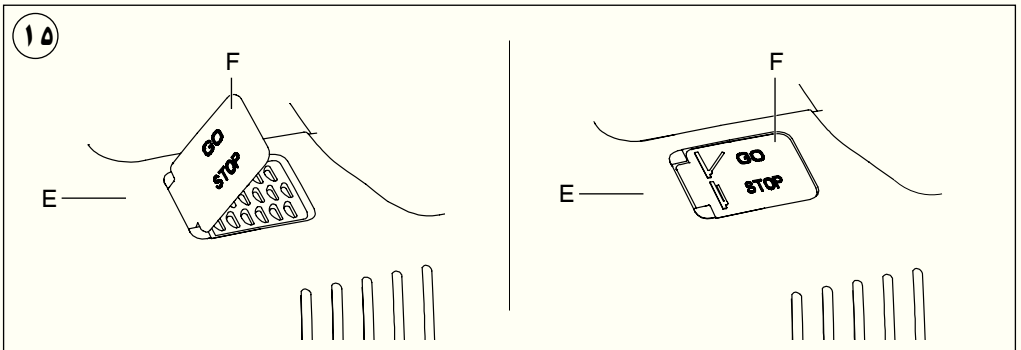
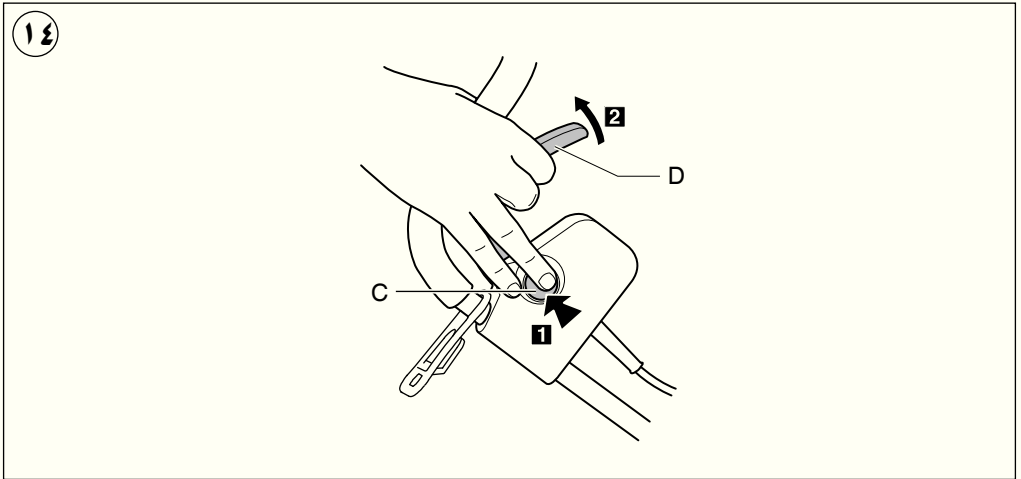
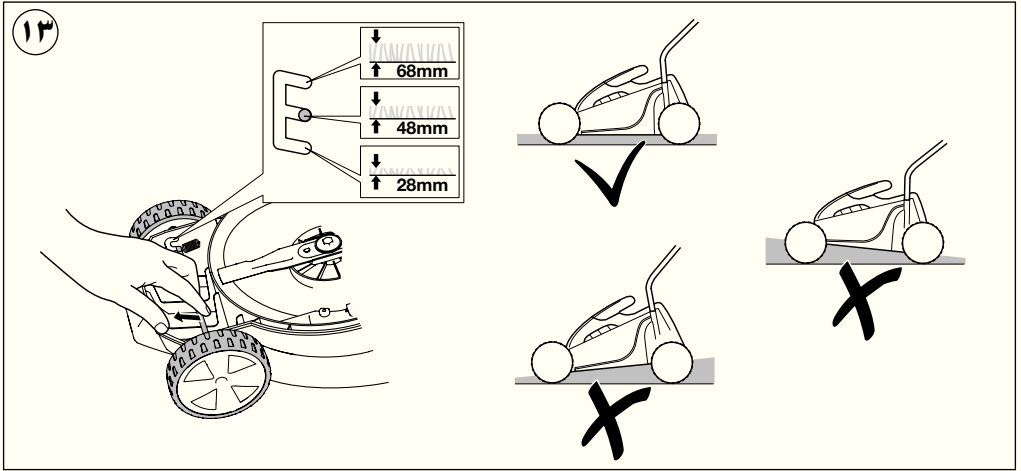
16

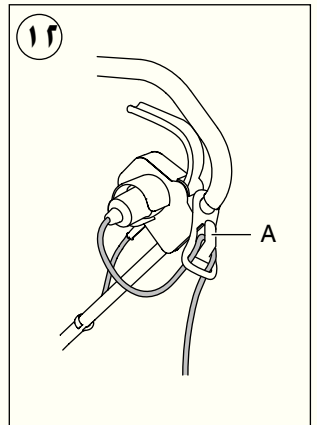
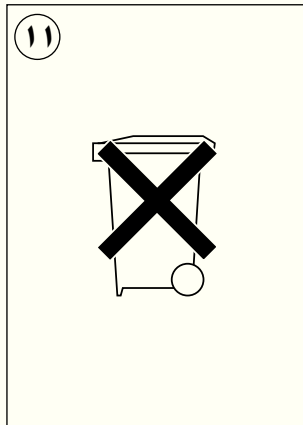
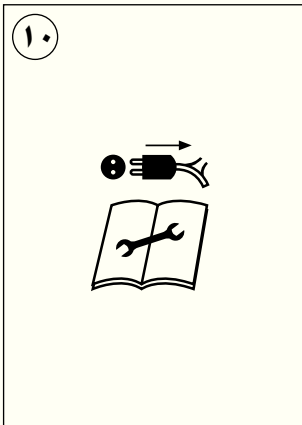
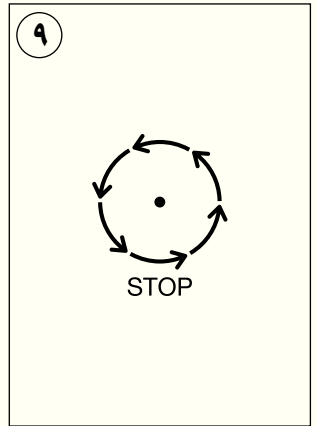
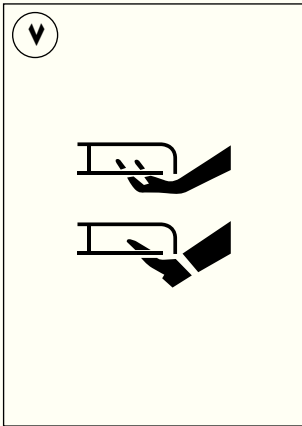
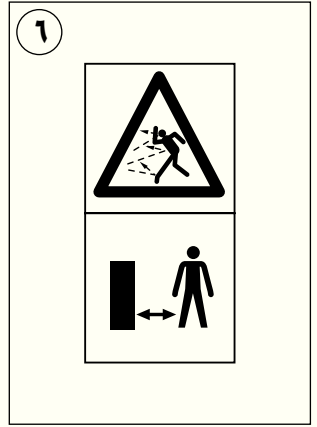
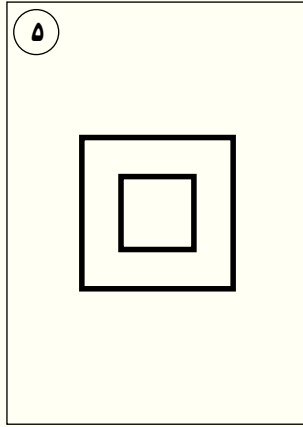
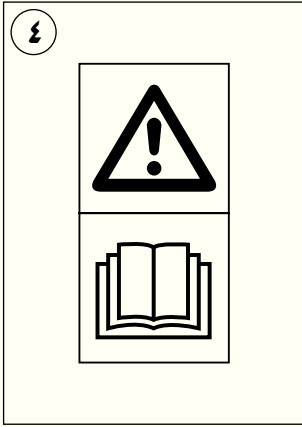


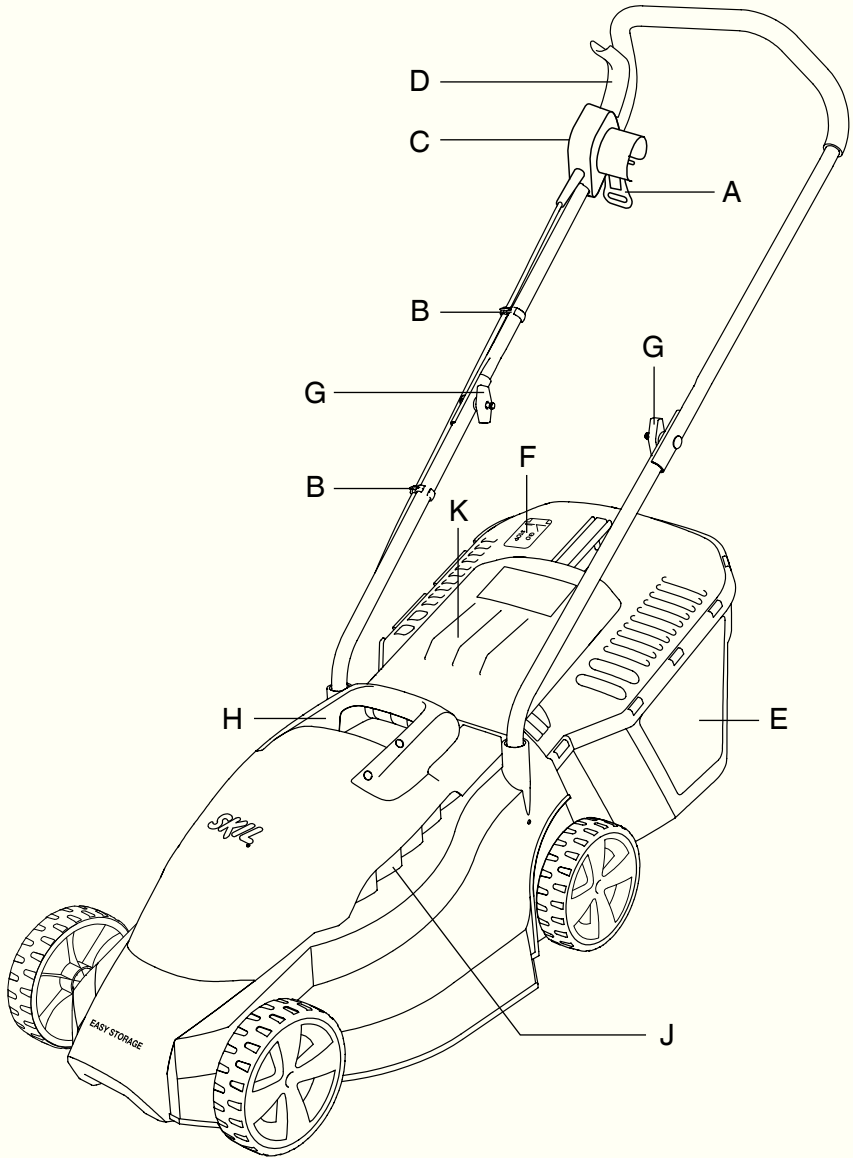
17

لا يتوفر قياسياً
مع الجهاز









1

0715

1400
Watt

12,3 kg
EPTA 01/2003

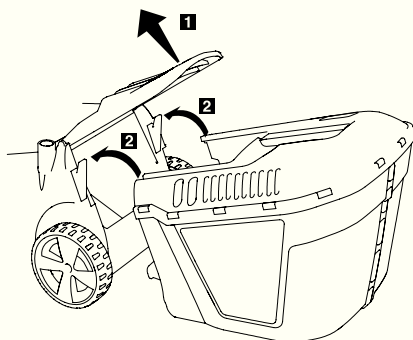
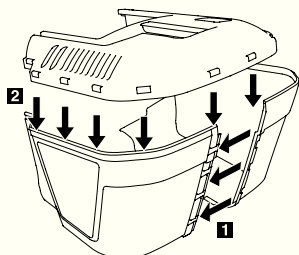
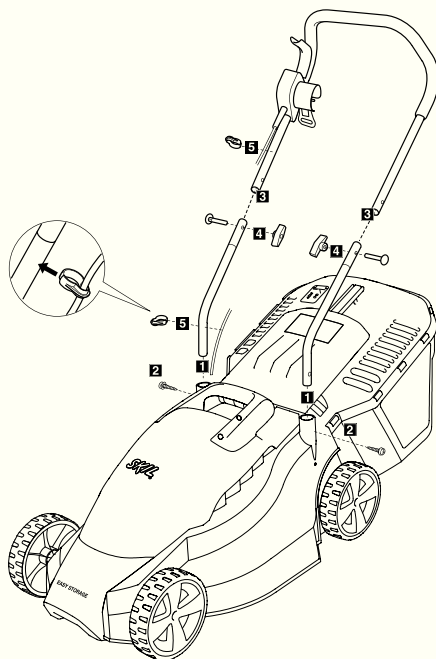
38 cm

28-48-
68 mm

35 L

220
-
240
V~
50-60 Hz

2



آلة جزّ الحشائش

0715

SKIL



دليل الاستعمال

AR

راهنماي اصلي

FA



2610Z05342

07/13

سكيل أوروبا ب.د. - كوينينبيرج 60
4825 ب.د. بريدا - هولندا



Сертификат о соответствии

KZ.7500052.22.01.00048

Срок действия сертификата о соответствии

по 09.07.2018

ТОО «Центр Сертификации продукции и услуг»

г. Алматы, ул Кабанбай батыра,

уг. Калдаякова 51/78