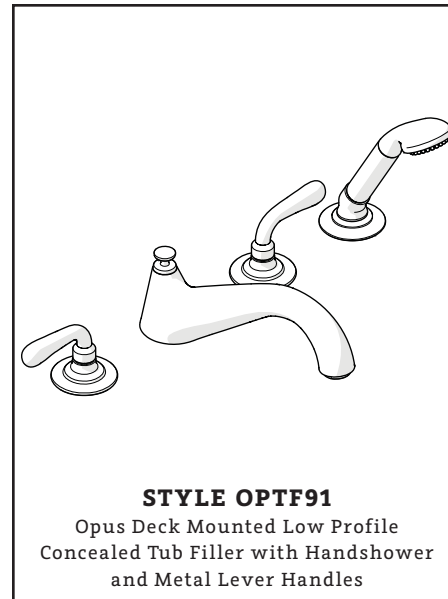
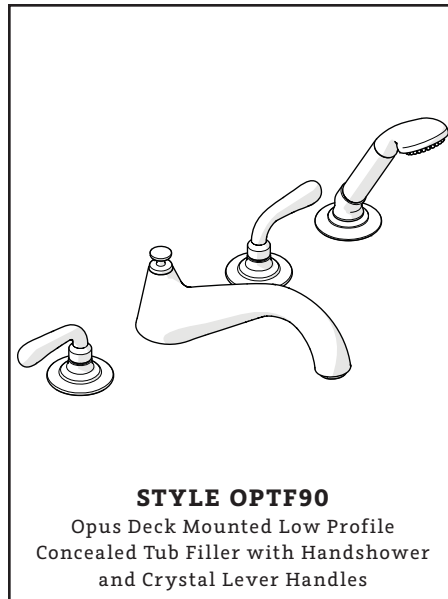
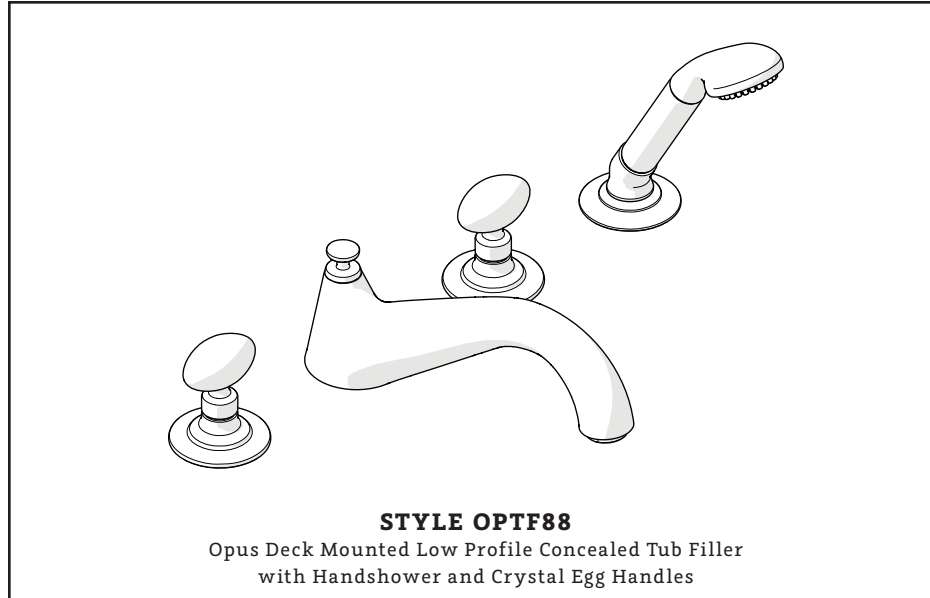




ESTB. 1978

WATERWORKS

SERVICE PARTS



WELCOME TO

WATERWORKS

For over three decades, Waterworks has transformed the bath through an absolute commitment to design authenticity, innovation and quality. A blend of scholarly appreciation and applied experience guarantees mechanical integrity, meticulous craftsmanship, and timeless designs.

**TO ORDER PARTS CALL
1 (800) 927-2120 (EXT 2)**

Order by part number and specify color, finish, or other options if required.

PRODUCT SUPPORT

Our Product Support team provides troubleshooting and technical problem resolution, including replacement parts and installation recommendations throughout the life of your product.

Product Support is available Monday through Friday, 8AM-6PM EST.

**LIMITED LIFETIME
WARRANTY**

Our warranty covers repair and replacement of Waterworks products if within the applicable coverage period and deemed defective by Waterworks. Waterworks will, at its option, repair or replace such products; this does not include installation costs, labor charges, or other incidental or consequential costs.

To obtain your complete warranty or inquire about warranty service, please visit us at www.waterworks.com or contact our Product Support Team.



ESTB. 1978

WATERWORKS

MAIN KITS

STYLES: OPTF88, OPTF90, OPTF91

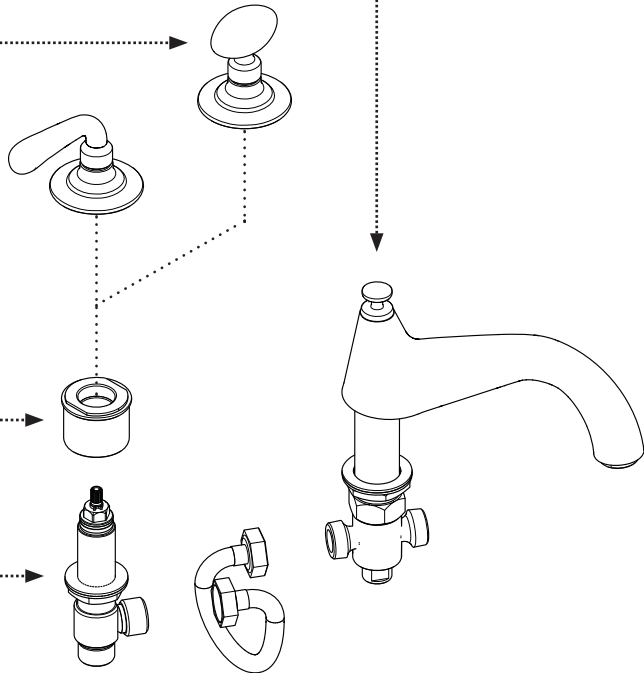
103987*
SPOUT

103899*
EGG HANDLE

103913
HANDLE CONNECTOR

103989
COUNTERCLOCKWISE
ON SIDEBODY

103990
HOSE



*FINISH/COLOR MUST BE SPECIFIED WHEN ORDERING
++SUPPLIED AS A PAIR

103918*
METAL LEVER HANDLE
103995*
CRYSTAL LEVER HANDLE

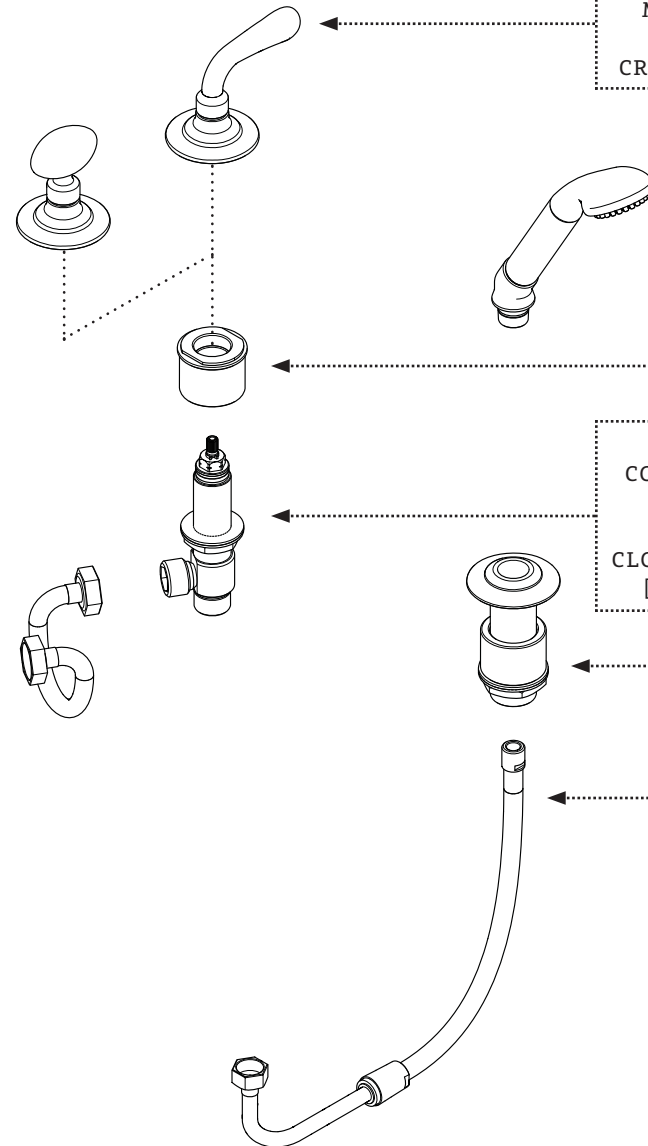
103993*
SPRAY

103913
HANDLE CONNECTOR

103989
COUNTERCLOCKWISE ON
SIDEBODY
103996
CLOCKWISE ON SIDEBODY
[LEVER HANDLE ONLY]

103992*
SPRAY RETURN

103994*
HANDSHOWER HOSE



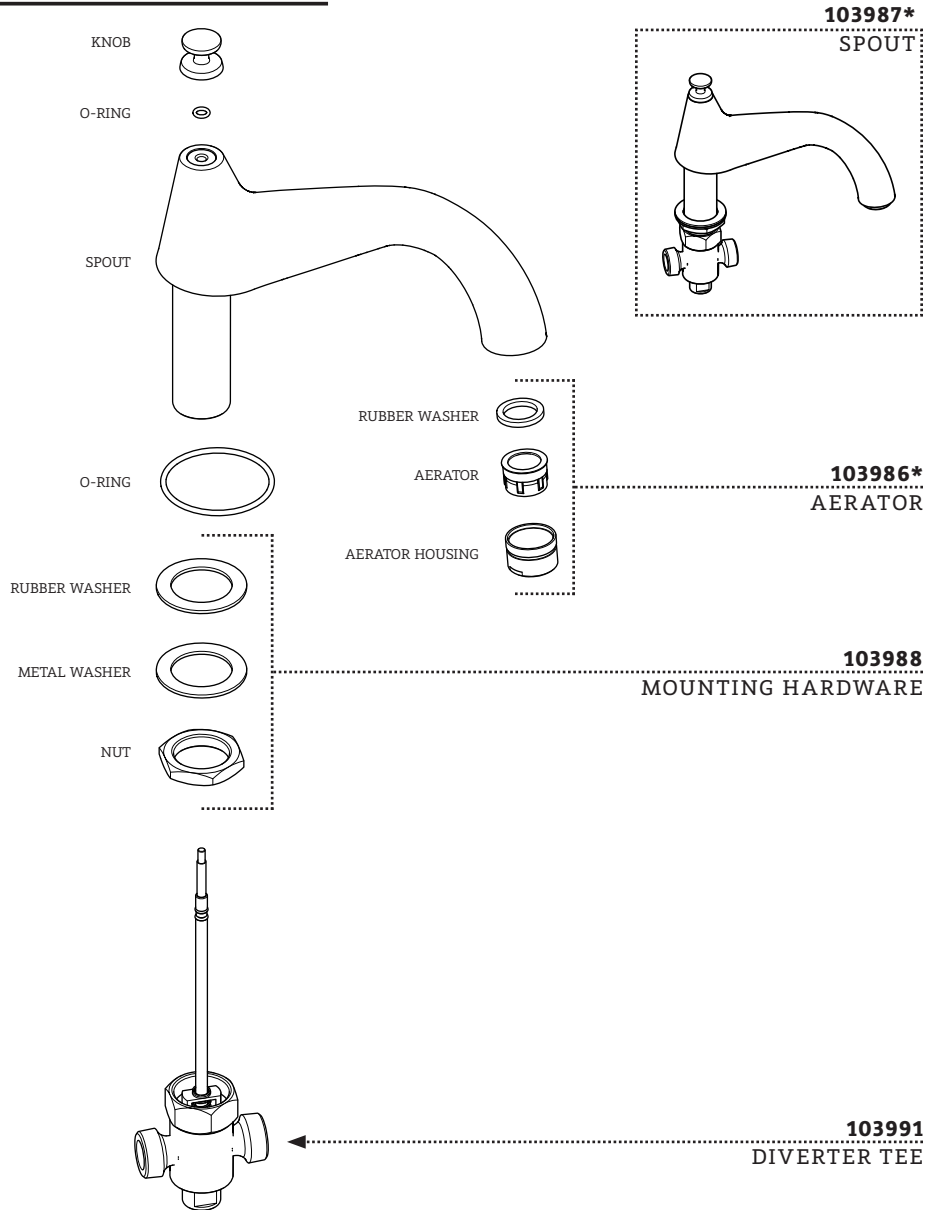


ESTB. 1978

WATERWORKS

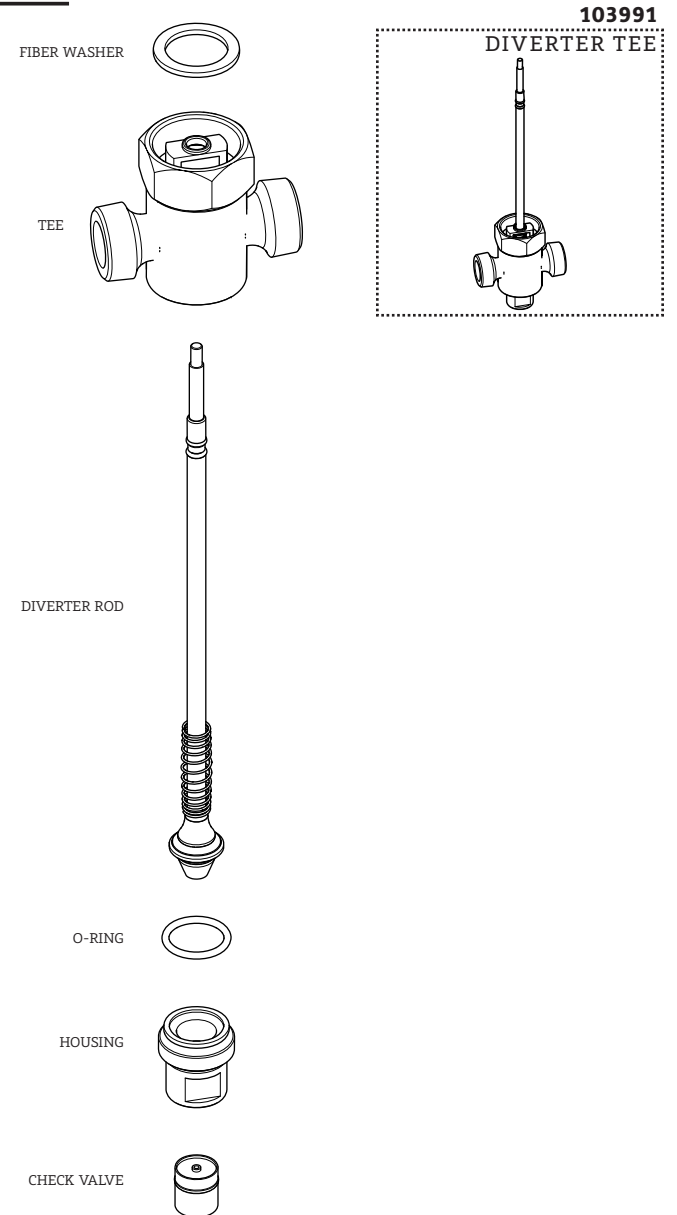
STYLES: OPTF88, OPTF90, OPTF91

KIT COMPONENTS



*FINISH/COLOR MUST BE SPECIFIED WHEN ORDERING
++SUPPLIED AS A PAIR

KIT COMPONENTS



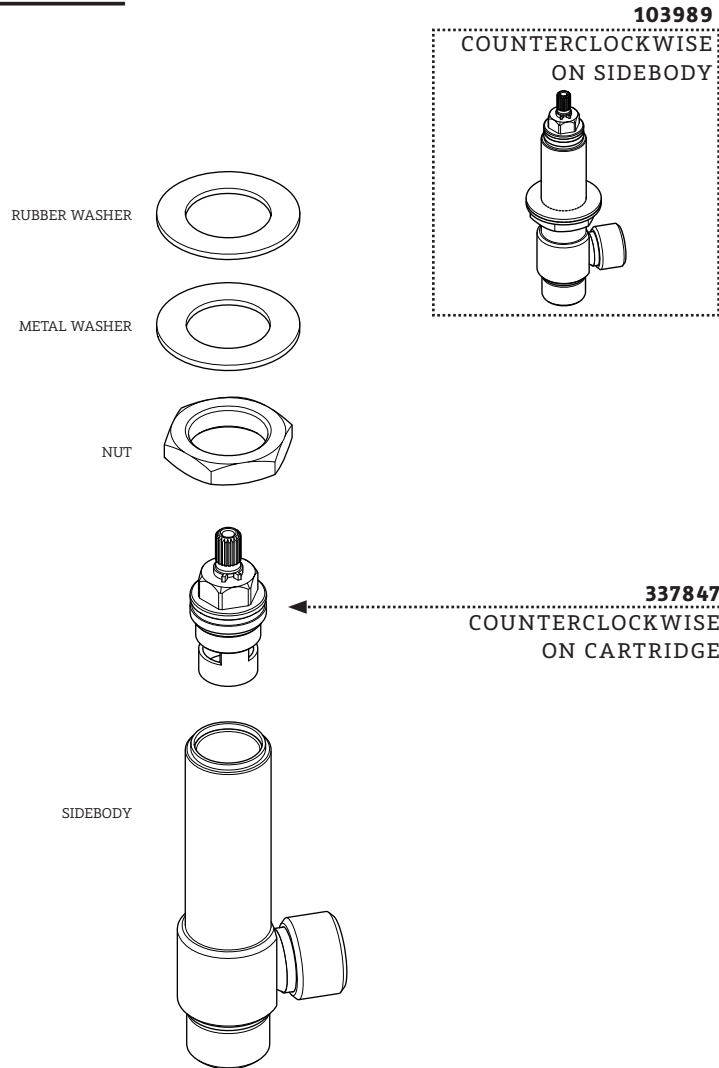


ESTB. 1978

WATERWORKS

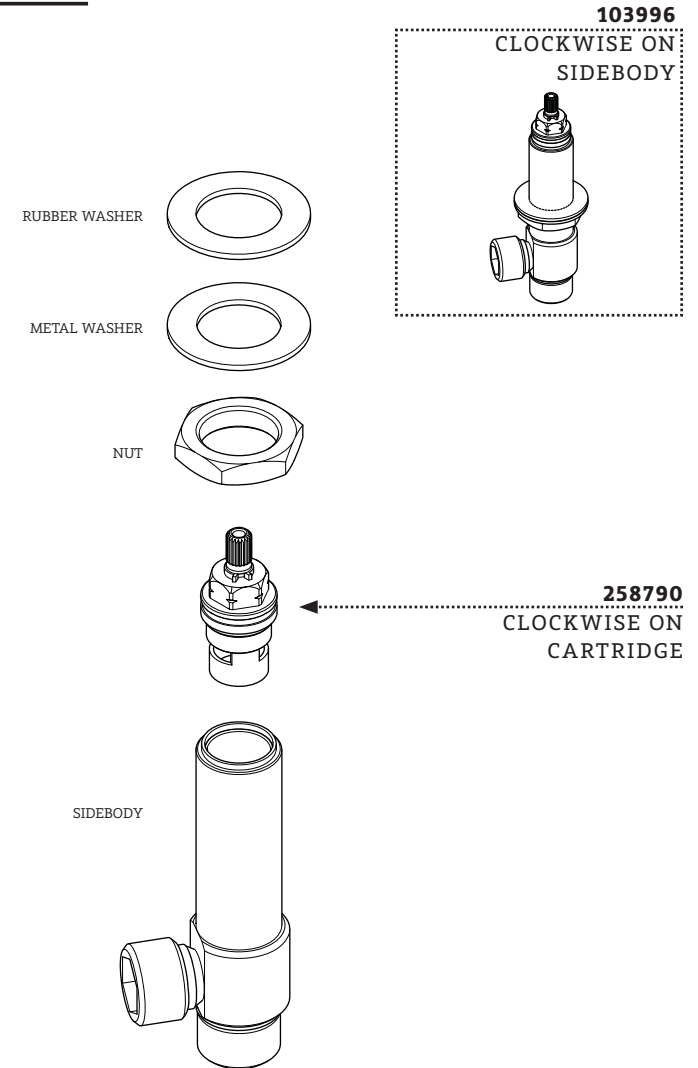
KIT COMPONENTS

STYLES: OPTF88, OPTF90, OPTF91



*FINISH/COLOR MUST BE SPECIFIED WHEN ORDERING
++SUPPLIED AS A PAIR

KIT COMPONENTS



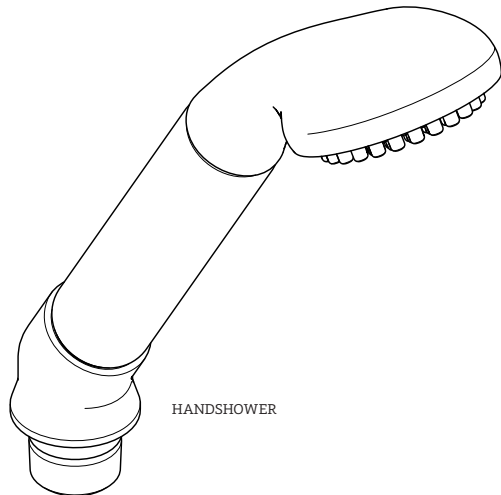


ESTB. 1978

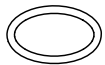
WATERWORKS

KIT COMPONENTS

STYLES: OPTF88, OPTF90, OPTF91



HANDSHOWER



O-RING



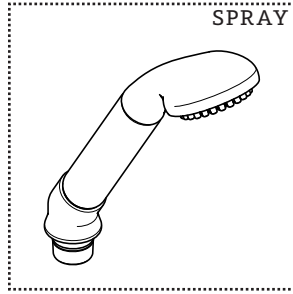
FLOW REGULATING
CHECK VALVE



RUBBER WASHER

103993*

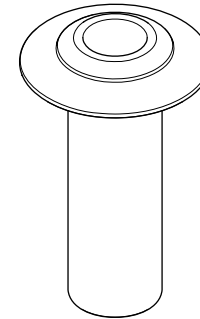
SPRAY



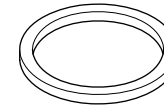
*FINISH/COLOR MUST BE SPECIFIED WHEN ORDERING
++SUPPLIED AS A PAIR

KIT COMPONENTS

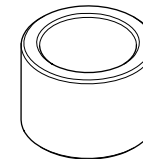
SPRAY RETURN



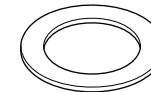
FOAM WASHER



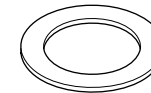
SPACER



RUBBER WASHER



METAL WASHER

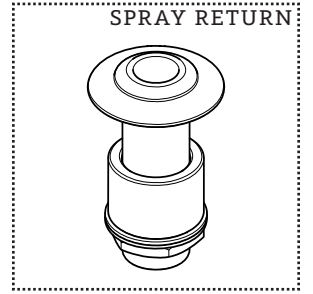


NUT



103992*

SPRAY RETURN



103988
MOUNTING HARDWARE



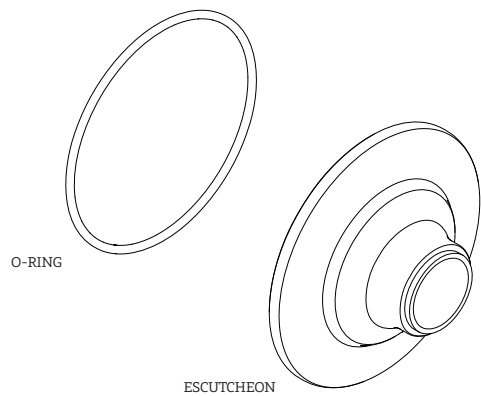
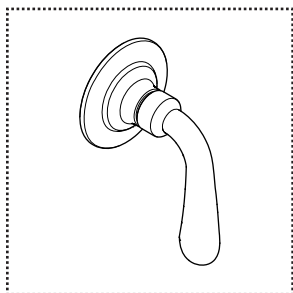
ESTB. 1978

WATERWORKS

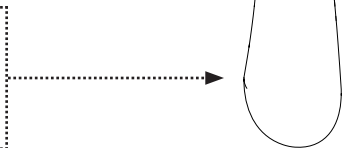
STYLES: OPTF88, OPTF90, OPTF91

KIT COMPONENTS

- 103918***
METAL LEVER HANDLE
- 103995***
CRYSTAL LEVER HANDLE



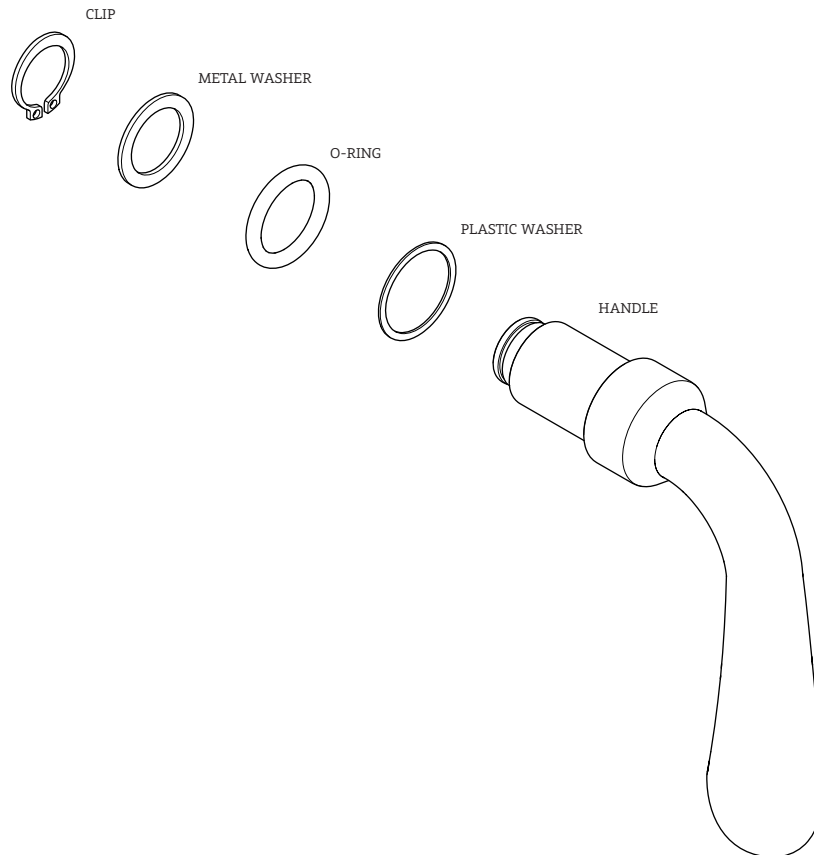
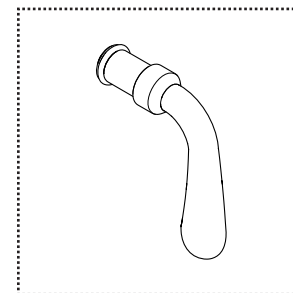
- 103917***
METAL LEVER HANDLE LESS FLANGE
- 103920**
CRYSTAL LEVER HANDLE LESS FLANGE



*FINISH/COLOR MUST BE SPECIFIED WHEN ORDERING
++SUPPLIED AS A PAIR

KIT COMPONENTS

- 103917***
METAL LEVER HANDLE LESS FLANGE
- 103920**
CRYSTAL LEVER HANDLE LESS FLANGE





ESTB. 1978

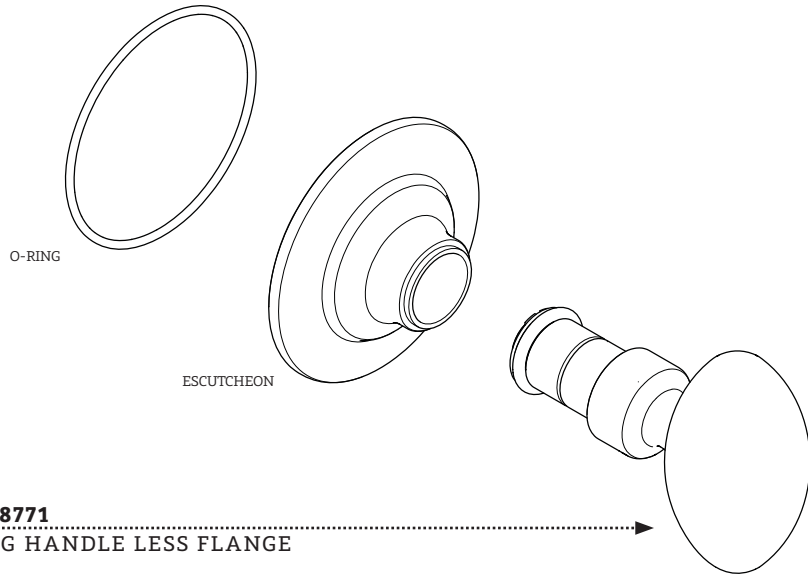
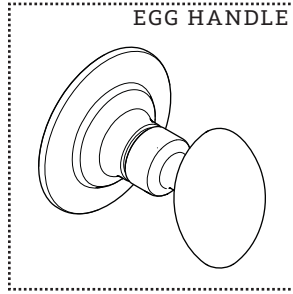
WATERWORKS

KIT COMPONENTS

STYLES: OPTF88, OPTF90, OPTF91

103899*

EGG HANDLE

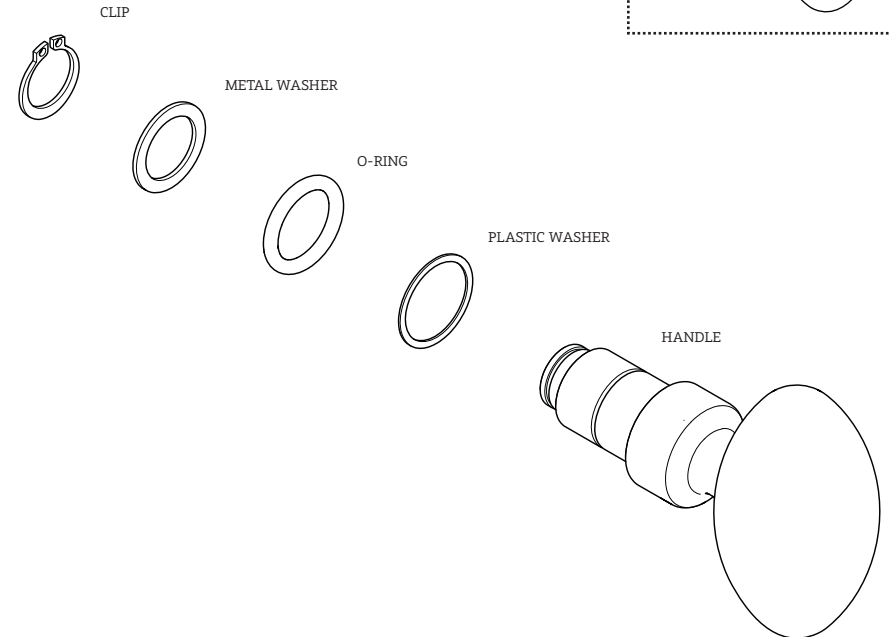
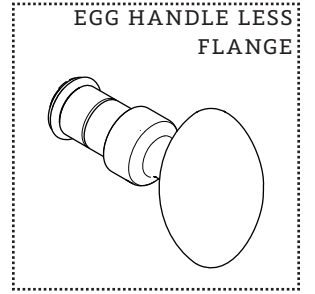


*FINISH/COLOR MUST BE SPECIFIED WHEN ORDERING
++SUPPLIED AS A PAIR

KIT COMPONENTS

048771

EGG HANDLE LESS
FLANGE





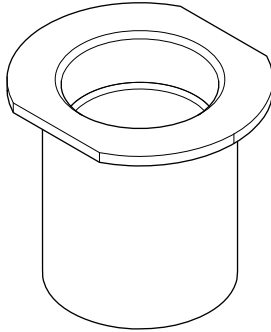
ESTB. 1978

WATERWORKS

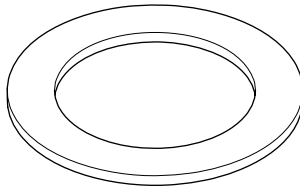
KIT COMPONENTS

STYLES: OPTF88, OPTF90, OPTF91

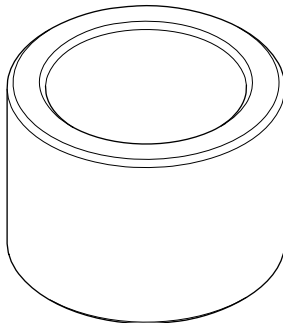
TRIM CONNECTOR



RUBBER WASHER

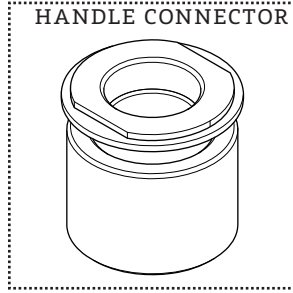


SPACER



103913

HANDLE CONNECTOR



*FINISH/COLOR MUST BE SPECIFIED WHEN ORDERING
++SUPPLIED AS A PAIR

KIT COMPONENTS

103994*

HANDSHOWER HOSE



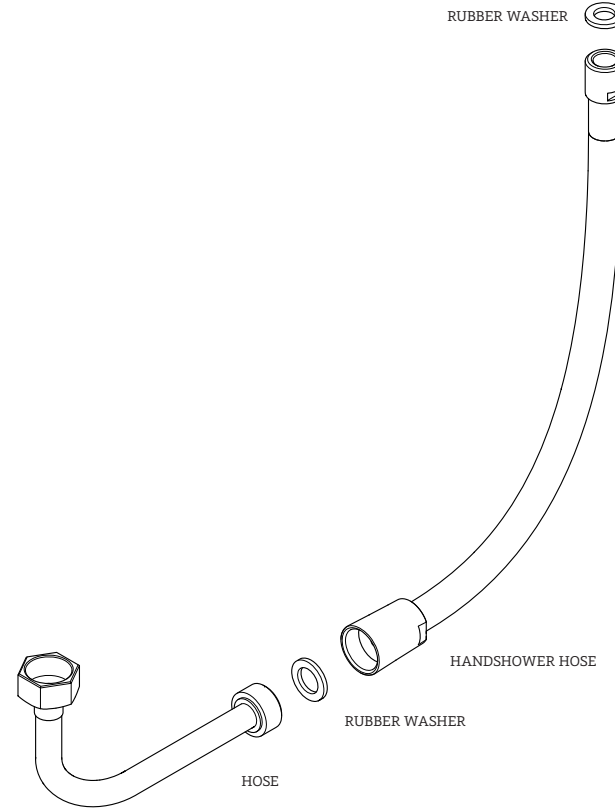
RUBBER WASHER



HANDSHOWER HOSE

RUBBER WASHER

HOSE





ESTB. 1978

WATERWORKS

STYLES: OPTF88, OPTF90, OPTF91

*FINISH/COLOR MUST BE SPECIFIED WHEN ORDERING
++SUPPLIED AS A PAIR

SERVICE PARTS INDEX

NOTES

<u>STYLE</u>	<u>DESCRIPTION</u>	<u>PG</u>
103986*	AERATOR	4
258790	CLOCKWISE ON CARTRIDGE	7
103996	CLOCKWISE ON SIDEBODY	7
337847	COUNTERCLOCKWISE ON CARTRIDGE	6
103989	COUNTERCLOCKWISE ON SIDEBODY	6
103995*	CRYSTAL LEVER HANDLE	10
103920	CRYSTAL LEVER HANDLE LESS FLANGE	11
103991	DIVERTER TEE	5
103899*	EGG HANDLE	12
048771	EGG HANDLE LESS FLANGE	13
103913	HANDLE CONNECTOR	14
103994*	HANDSHOWER HOSE	15
103990	HOSE	2
103918*	METAL LEVER HANDLE	10
103917*	METAL LEVER HANDLE LESS FLANGE	11
103988	MOUNTING HARDWARE	9
103987*	SPOUT	4
103993*	SPRAY	8
103992*	SPRAY RETURN	9

DOCUMENT: SPOP07_REV01



ESTB. 1978

WATERWORKS

PRODUCT SUPPORT

60 BACKUS AVENUE
DANBURY, CT 06810

1 (800) 927-2120 (EXT 2)

WWW.WATERWORKS.COM