

Art.: H1301 05 05

Conexión flexible trenzada GEFLEX DN13 H 3/4" - H 3/4"
Flexible connection braided GEFLEX DN13 F 3/4" - F 3/4"

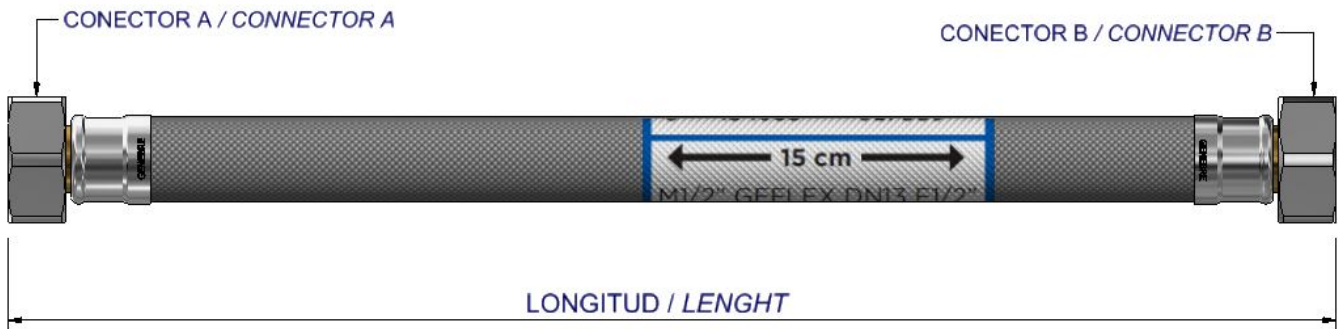


| Descripción | Description |
|--|---|
| Conexiones flexibles trenzadas DN13 fabricadas según normativa UNE-EN 13618. Calidad alimentaria según NF XP P 41-280. Junta de EPDM incluida. Racores según EN ISO 228-1. Utilizados para suministro de agua potable. | Flexible DN13 braided connections manufactured according to UNE-EN 13618 standards. Food quality according to NF XP P 41-280. EPDM gasket included. Fittings according to EN ISO 228-1. Used for drinking water supply. |

| Aplicaciones / Applications | | | |
|-----------------------------|------------------------------|--------------------------------|-----------------------------------|
| Calentadores Heaters | Acumuladores Accumulators | Placas solares Solar panels | Climatización Air conditioning |
| | | | |

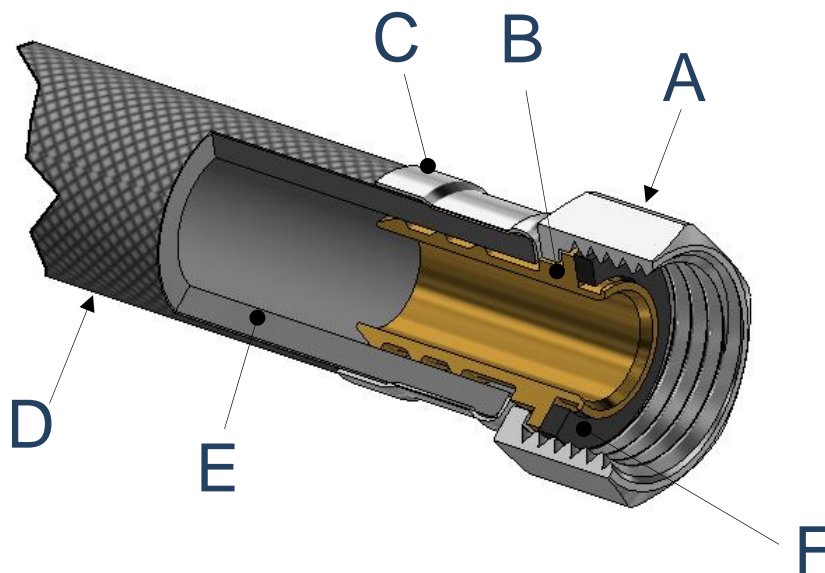
| Características / Features | |
|--|---|
| <p>DN13 Conexiones flexibles DN13 Ø Int.13 mm Ø Ext.19 mm Flexible connections DN13 Ø Int.13 mm Ø Ext.19 mm</p> | <p>Radio mínimo de curvatura 45 mm Minimum radius of curvature 45 mm</p> |
| <p>Presión máxima trabajo 10 Bar Maximum work pressure 10 Bar</p> | <p>Diámetro interior del racor 10 mm Fitting inner diameter 10 mm</p> |
| <p>Temperatura máxima trabajo 90° C. Temperatura mínima trabajo 5° C Maximum work temperature 90°C. Minimum work temperature 5°C.</p> | <p>Caudal. Ver pagina 4 Flow rate. See page 4</p> |

Dimensiones / Dimensions



| Referencia Reference | Descripción / Description | Conector A Connector A | Conector B Connector B | Longitud Length |
|-------------------------|------------------------------------|---------------------------|---------------------------|--------------------|
| H1301 05 05 015 | GEFLEX DN13 F 3/4" – F 3/4" 15 cm | F 3/4" | F 3/4" | 15 cm |
| H1301 05 05 020 | GEFLEX DN13 F 3/4" – F 3/4" 20 cm | F 3/4" | F 3/4" | 20 cm |
| H1301 05 05 025 | GEFLEX DN13 F 3/4" – F 3/4" 25 cm | F 3/4" | F 3/4" | 25 cm |
| H1301 05 05 030 | GEFLEX DN13 F 3/4" – F 3/4" 30 cm | F 3/4" | F 3/4" | 30 cm |
| H1301 05 05 035 | GEFLEX DN13 F 3/4" – F 3/4" 35 cm | F 3/4" | F 3/4" | 35 cm |
| H1301 05 05 040 | GEFLEX DN13 F 3/4" – F 3/4" 40 cm | F 3/4" | F 3/4" | 40 cm |
| H1301 05 05 050 | GEFLEX DN13 F 3/4" – F 3/4" 50 cm | F 3/4" | F 3/4" | 50 cm |
| H1301 05 05 060 | GEFLEX DN13 F 3/4" – F 3/4" 60 cm | F 3/4" | F 3/4" | 60 cm |
| H1301 05 05 100 | GEFLEX DN13 F 3/4" – F 3/4" 100 cm | F 3/4" | F 3/4" | 100 cm |

Materiales / Materials



| Descripción / Description | Posición / Position | Material | Acabado / Finished |
|---|---------------------|--|-------------------------------------|
| Tuerca 3/4" DN13 / 3/4" DN13 Nut | A | Latón CW617N / Brass CW617N | Niquelado / Nickel plated |
| Inserto 3/4" DN13 / 3/4" DN13 Insert | B | Latón CW617N / Brass CW617N | Limpiado al ácido / Cleaned to acid |
| Casquillo / Sleeve | C | Acero Inoxidable 304 Stainless Steel AISI 304 | --- |
| Malla / Braiding | D | Acero Inoxidable 304 Stainless Steel AISI 304 | --- |
| Tubo Interior / Inner tube | E | EPDM | --- |
| Junta plana 3/4" DN13 Gasket 3/4" DN13 | F | EPDM | --- |

Ver consejos de Instalación / See Installation tips

