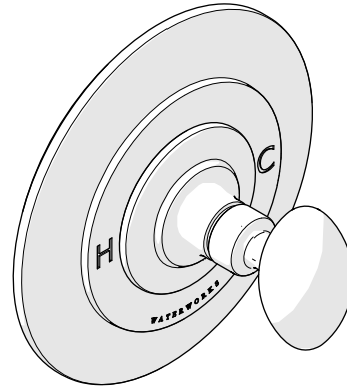




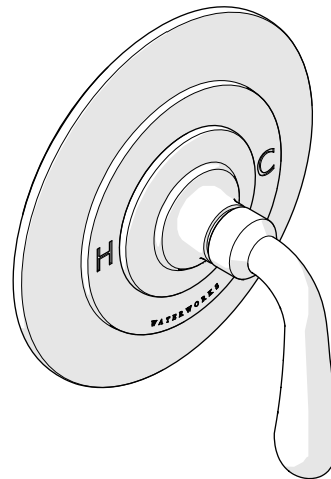
ESTB. 1978

WATERWORKS SERVICE PARTS



STYLE OPTH01

Opus Thermostatic Control Valve Trim with Crystal Egg Handles



STYLE OPTH10

Opus Thermostatic Control Valve Trim with Metal Lever Handles

WELCOME TO

WATERWORKS

For over three decades, Waterworks has transformed the bath through an absolute commitment to design authenticity, innovation and quality. A blend of scholarly appreciation and applied experience guarantees mechanical integrity, meticulous craftsmanship, and timeless designs.

**TO ORDER PARTS CALL
1 (800) 927-2120 (EXT 2)**

Order by part number and specify color, finish, or other options if required.

PRODUCT SUPPORT

Our Product Support team provides troubleshooting and technical problem resolution, including replacement parts and installation recommendations throughout the life of your product.

Product Support is available Monday through Friday, 8AM-6PM EST.

**LIMITED LIFETIME
WARRANTY**

Our warranty covers repair and replacement of Waterworks products if within the applicable coverage period and deemed defective by Waterworks. Waterworks will, at its option, repair or replace such products; this does not include installation costs, labor charges, or other incidental or consequential costs.

To obtain your complete warranty or inquire about warranty service, please visit us at www.waterworks.com or contact our Product Support Team.



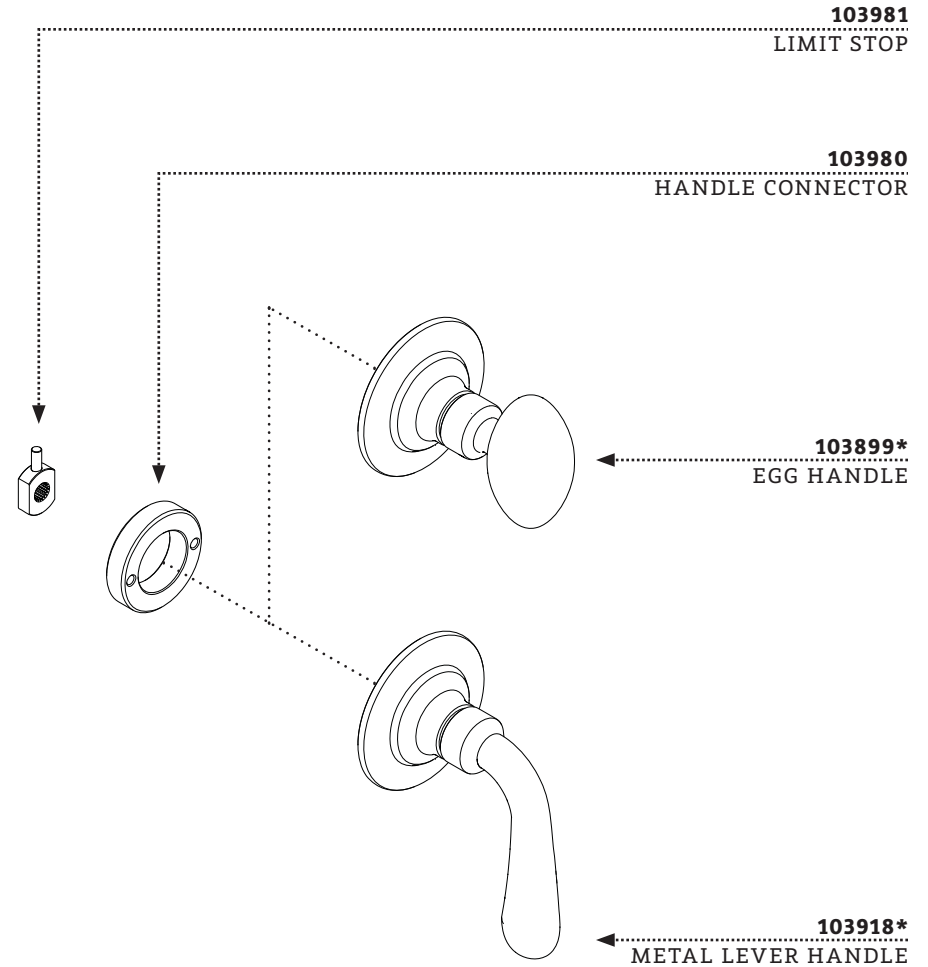
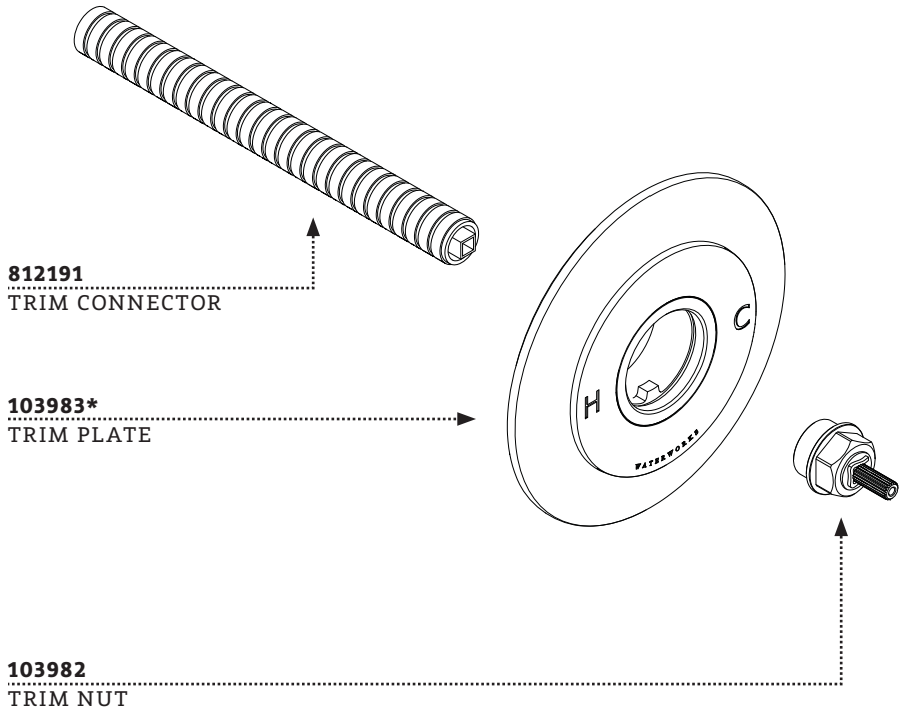
ESTB. 1978

WATERWORKS

MAIN KITS

STYLES: OPTH01, OPTH10

*FINISH/COLOR MUST BE SPECIFIED WHEN ORDERING
++SUPPLIED AS A PAIR





ESTB. 1978

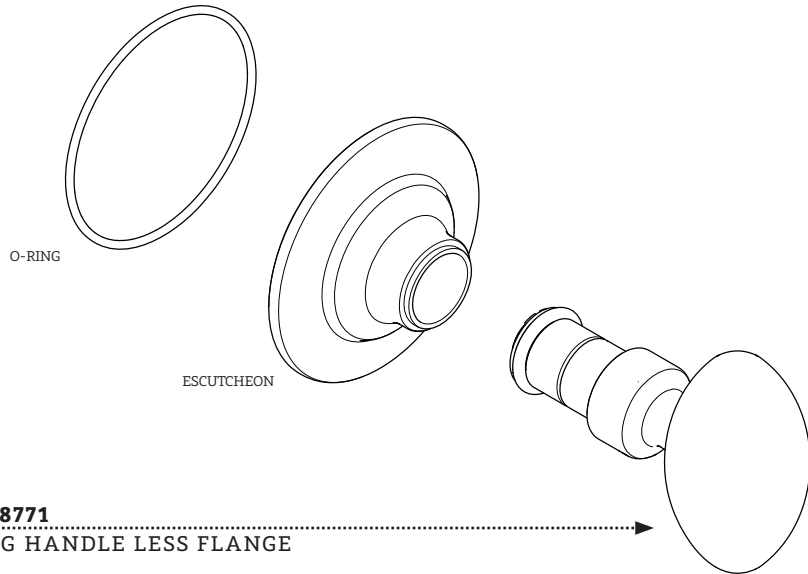
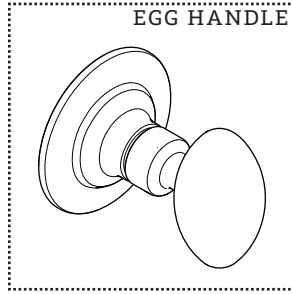
WATERWORKS

KIT COMPONENTS

STYLES: OPTH01, OPTH10

103899*

EGG HANDLE



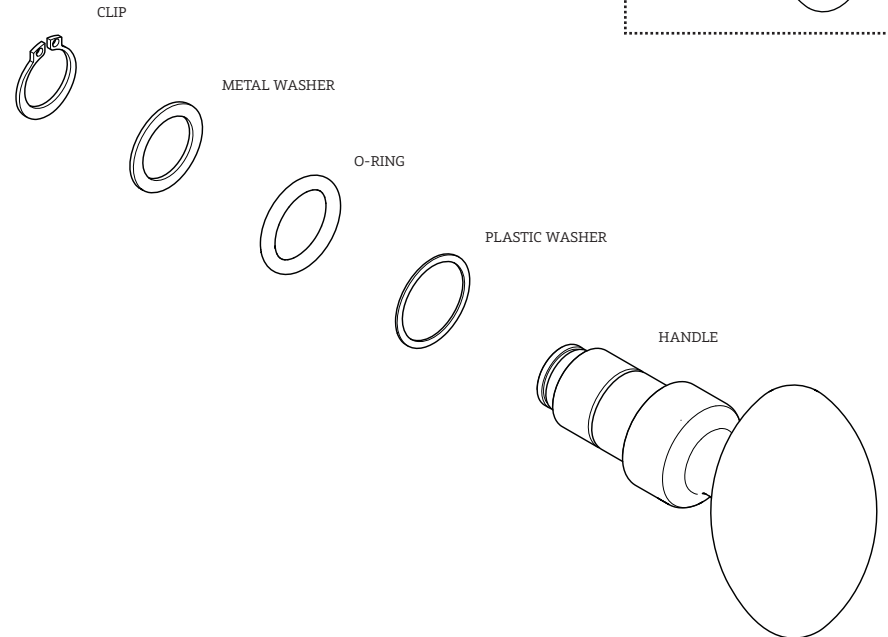
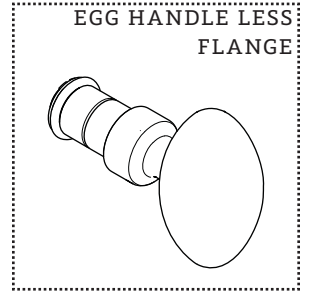
048771
EGG HANDLE LESS FLANGE

*FINISH/COLOR MUST BE SPECIFIED WHEN ORDERING
++SUPPLIED AS A PAIR

KIT COMPONENTS

048771

**EGG HANDLE LESS
FLANGE**





ESTB. 1978

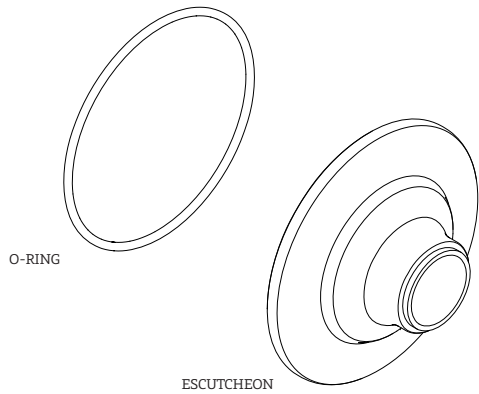
WATERWORKS

KIT COMPONENTS

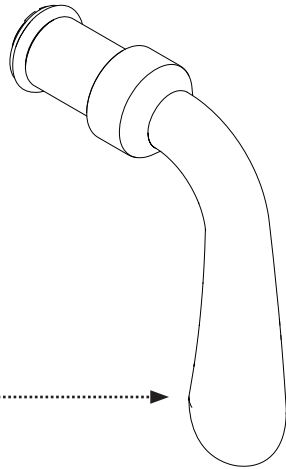
STYLES: OPTH01, OPTH10

103918*

METAL LEVER
HANDLE



103917*
METAL LEVER HANDLE LESS FLANGE

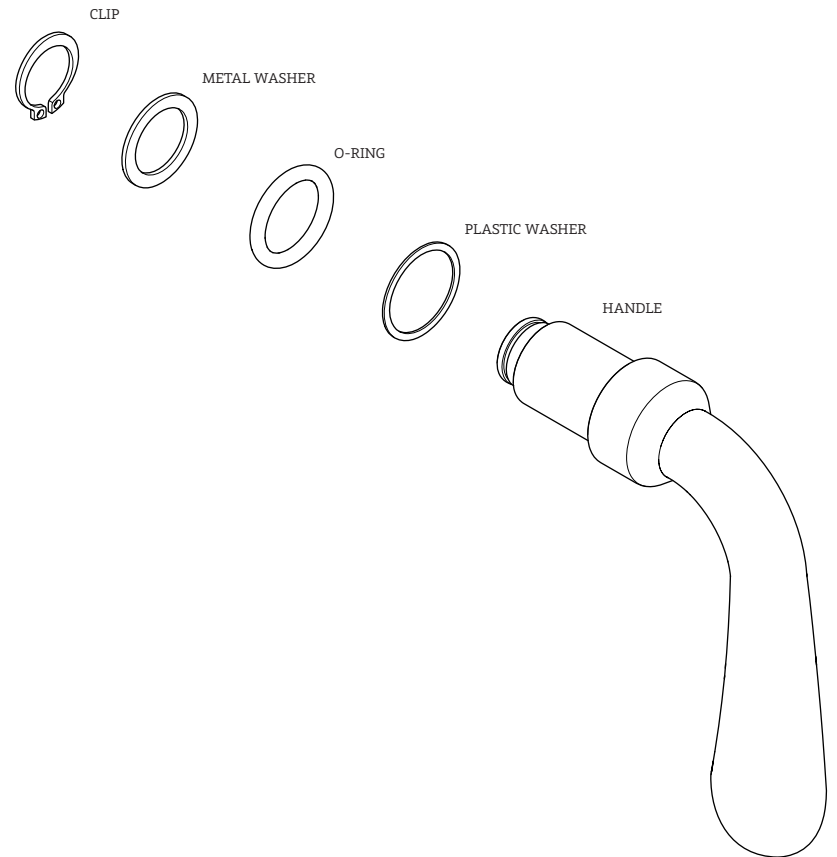


*FINISH/COLOR MUST BE SPECIFIED WHEN ORDERING
++SUPPLIED AS A PAIR

KIT COMPONENTS

103917*

METAL LEVER
HANDLE LESS FLANGE





ESTB. 1978

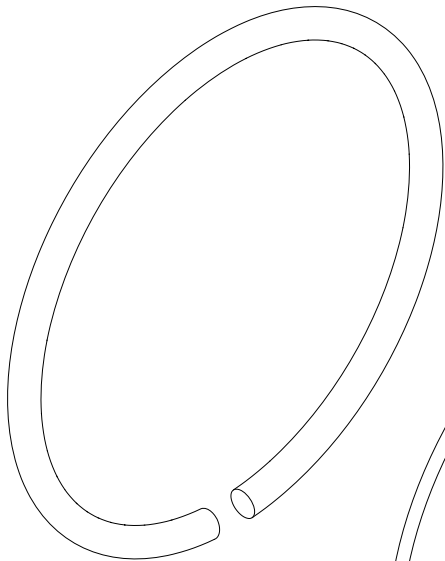
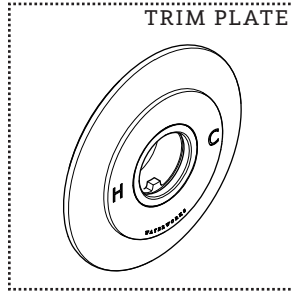
WATERWORKS

KIT COMPONENTS

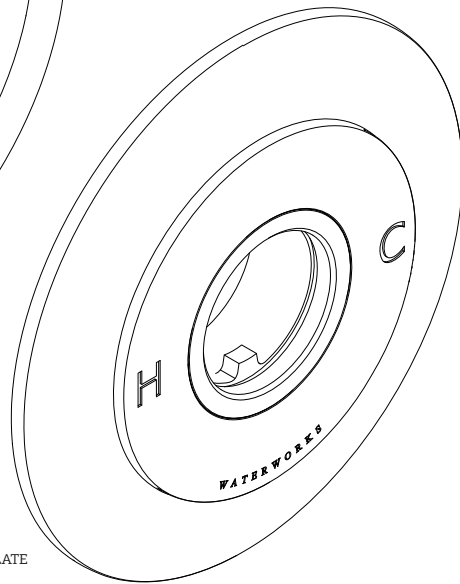
STYLES: OPTH01, OPTH10

103983*

TRIM PLATE



FOAM GASKET



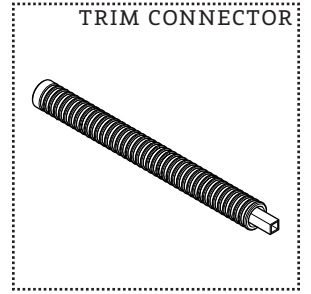
TRIM PLATE

*FINISH/COLOR MUST BE SPECIFIED WHEN ORDERING
++SUPPLIED AS A PAIR

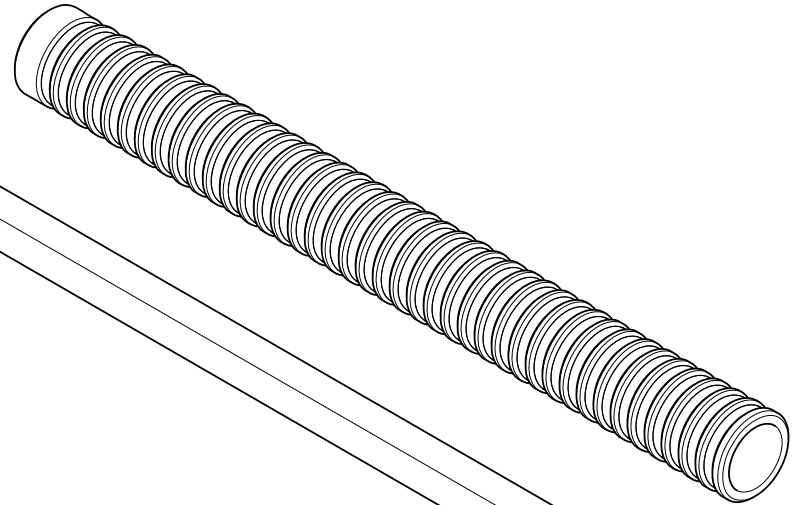
KIT COMPONENTS

812191

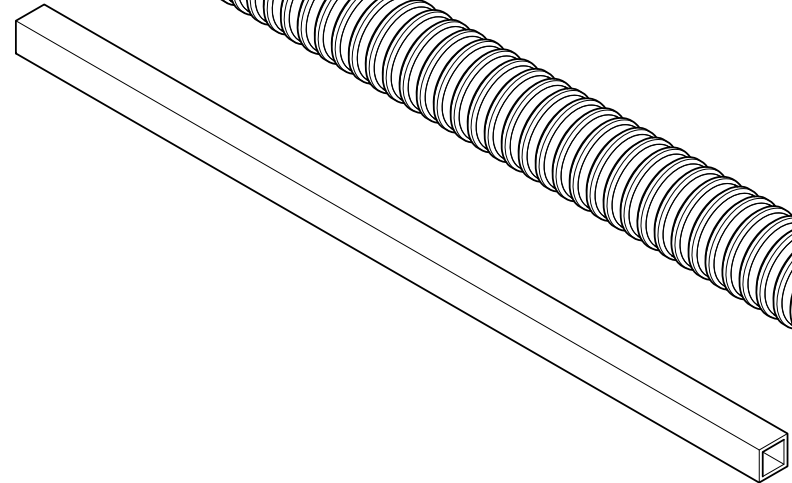
TRIM CONNECTOR



ALL THREAD TUBE



SQUARE TUBE





ESTB. 1978

WATERWORKS

SERVICE PARTS INDEX

<u>STYLE</u>	<u>DESCRIPTION</u>	<u>PG</u>
103899*	EGG HANDLE	4
048771	EGG HANDLE LESS FLANGE	5
103980	HANDLE CONNECTOR	3
103981	LIMIT STOP	3
103918*	METAL LEVER HANDLE	6
103917*	METAL LEVER HANDLE LESS FLANGE	7
812191	TRIM CONNECTOR	9
103982	TRIM NUT	2
103983*	TRIM PLATE	8

STYLES: OPTH01, OPTH10

*FINISH/COLOR MUST BE SPECIFIED WHEN ORDERING
++SUPPLIED AS A PAIR

NOTES

DOCUMENT: SPOP02_REV01



ESTB. 1978

WATERWORKS

NOTES

STYLES: OPTH01, OPTH10

*FINISH/COLOR MUST BE SPECIFIED WHEN ORDERING
++SUPPLIED AS A PAIR

NOTES



ESTB. 1978

WATERWORKS

PRODUCT SUPPORT

60 BACKUS AVENUE
DANBURY, CT 06810

1 (800) 927-2120 (EXT 2)

WWW.WATERWORKS.COM