

Installation Guide

Reversible Sliding door

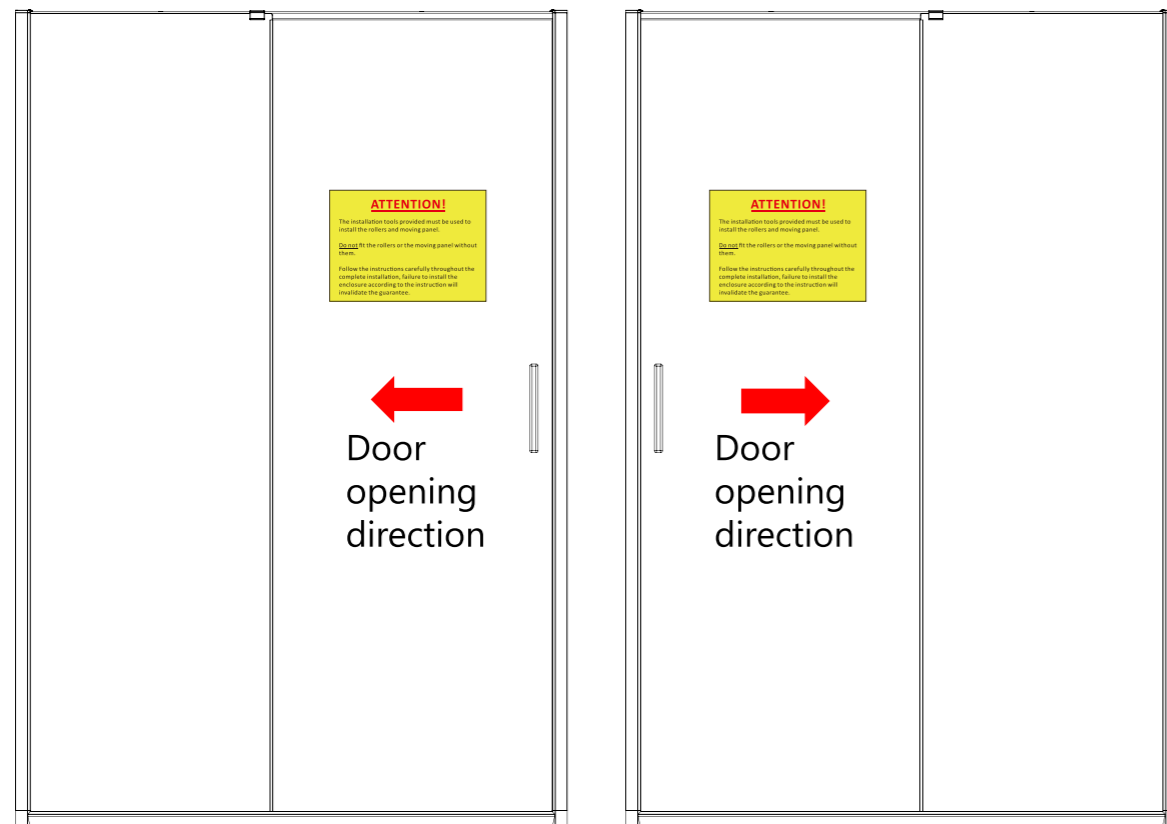
IMPORTANT:
Please read the complete instructions before commencing fitting.

Make sure the tray is 100% level in all directions. Do Not attempt to install the product unless you can tick all 4 boxes satisfactory.

- Check that you have the tools required
- Check the installation site is compatible with the sizes of door supplied
- Check all the enclosure components are present
- Check the installation kit is complete

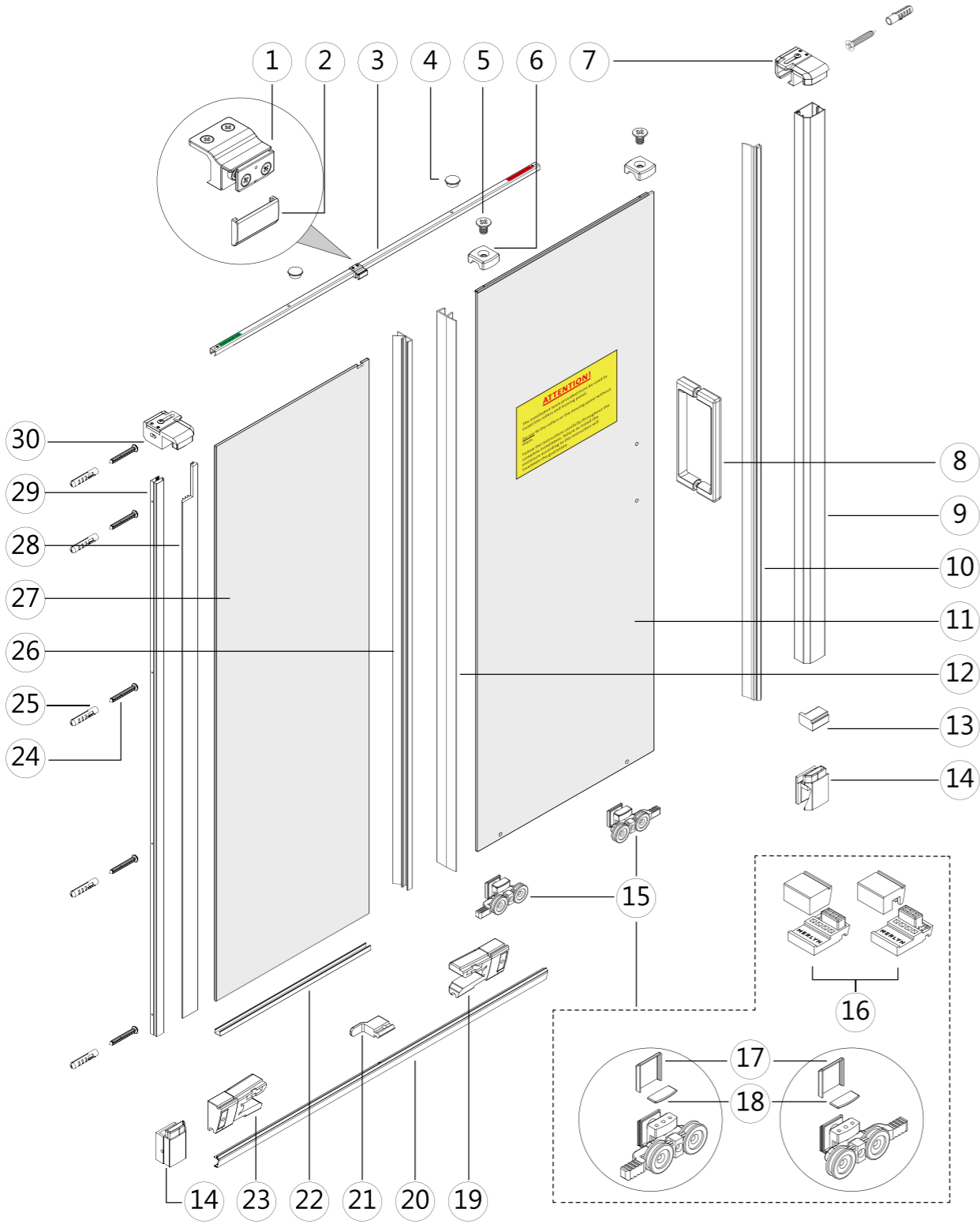
Left hand

Right hand



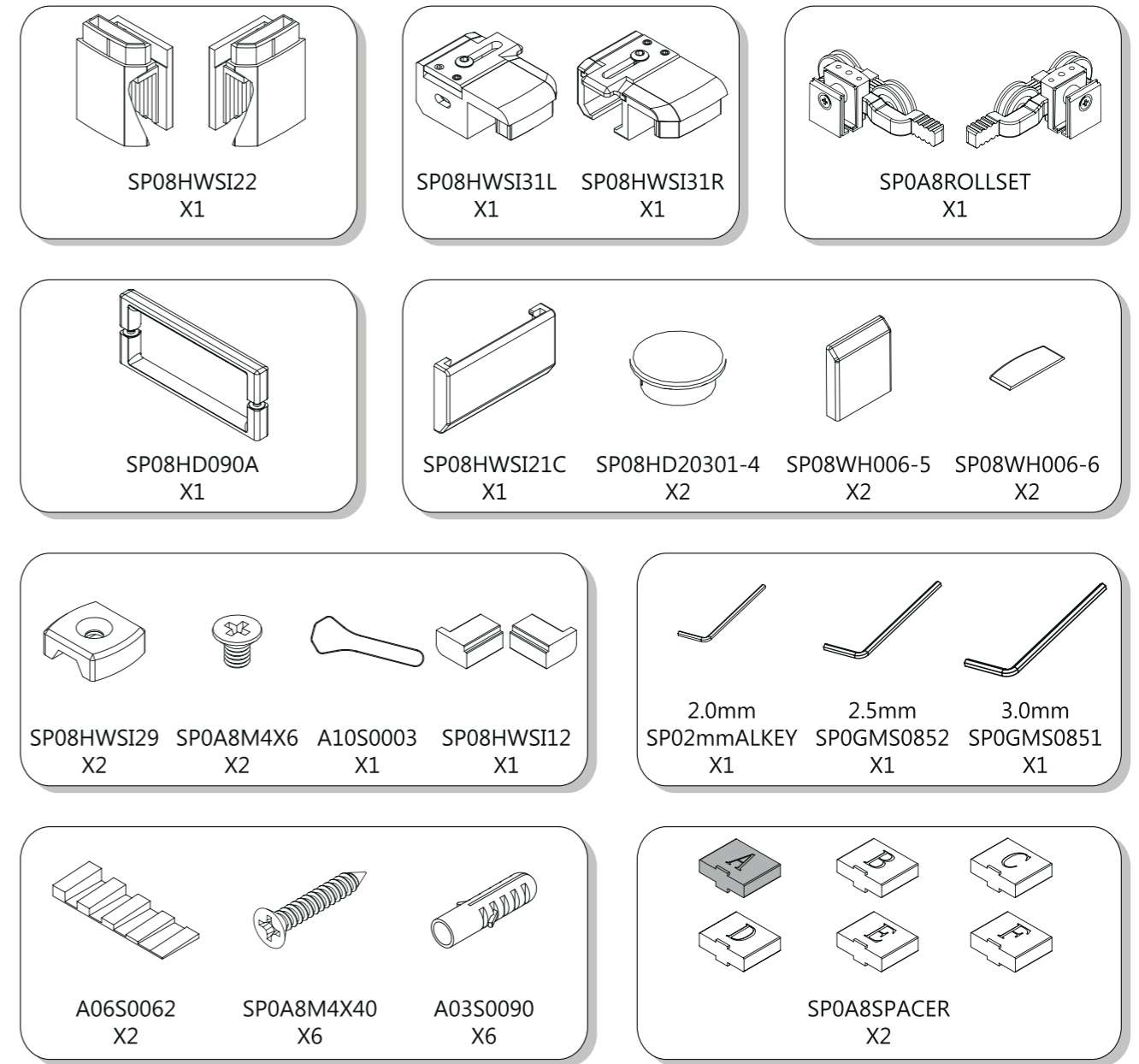
The wall plugs supplied with the installation kit are for use in solid walls. Hollow or 'stud partition' walls will require alternative fixings. Please consult a hardware supplier for the correct type. It may also be necessary to consult your tiling supplier about the correct method for drilling your tiles.

ATTENTION: TAKE EXTREME CARE WHEN HANDLING GLASS, WEAR PROTECTIVE EYEWEAR AND CLOTHING. DO NOT LEAVE THE GLASS ON HARD SURFACES AND AVOID CONTACT BETWEEN THE GLASS EDGES AND HARD SURFACES OR IMPACTS DURING THE INSTALLATION.

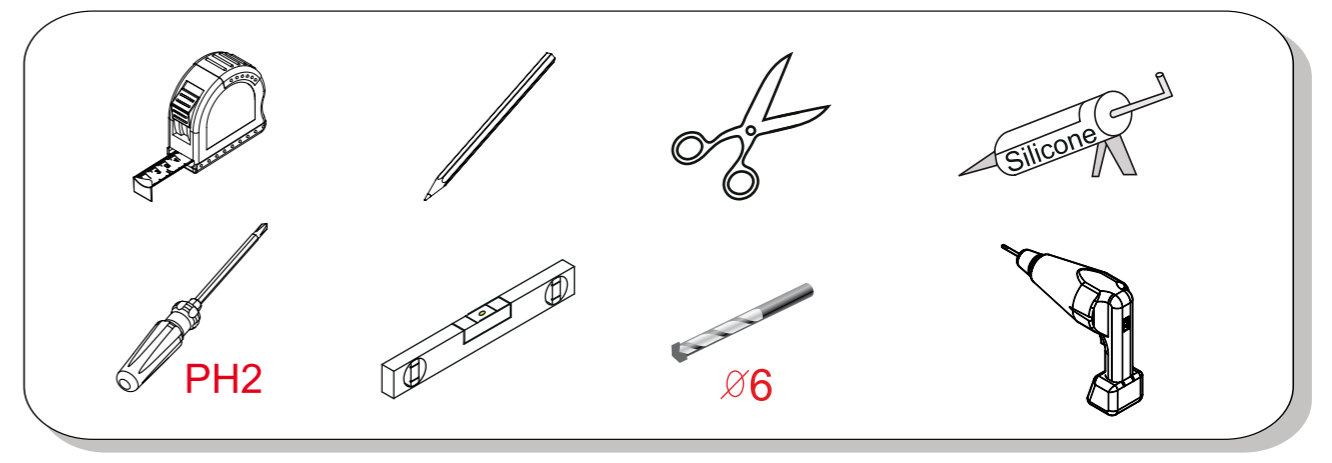


No.	QTY	Descriptions	Code	No.	QTY	Descriptions	Code	No.	QTY	Descriptions	Code
1	1	Top Bracket - complete	SP08HWSI21	12	1	Moving panel upright seal	SP08SESH09	23	1	Bottom roller stop left	SP08HWSI36L
2	1	Fixed panel bracket cover cap	SP08HWSI21C	13	2	Plug for closing post	SP08HWSI12	24	6	M4 x 40 countersunk screw	SP0A8M4X40
3	1	Top Rail	A	14	2	Wall profile bottom bracket	SP08HWSI22	25	6	6MM wall plug	A03S0090
4	2	Top rail guide cover cap	SP08HD20301-4	15	1	Complete roller set with installation tool	SP0A8ROLLSET	26	1	Fixed panel upright seal	SP08SESH12
5	2	M4x6 screw	SP0A8M4X6	16	1	Moving panel installation tools	SP0A8DRJIG	27	1	Fixed panel	D
6	2	Top guide	SP08HWSI29	17	2	Roller inside cap	SP08WH006-5	28	1	Wall profile upright seal	SP08SECY52A
7	1	Wall profile top bracket - right	SP08HWSI31R	18	2	Roller top cap	SP08WH006-6	29	1	Wall profile	SP08ALSH02
8	1	Handle	SP08HD090A	19	1	Bottom roller stop right	SP08HWSI36R	30	1	Wall profile top bracket - left	SP08HWSI31L
9	1	Closing post	SP08ALSH03	20	1	Bottom profile	C				
10	1	Closing seal	SP08SESH53	21	1	Fixed panel fixed block	SP08HWSI04				
11	1	Moving panel	B	22	1	Bottom seal	SP08SESH06				

Fixing Kit Components



Tools required



1

Ensure the shower tray is level in all directions and is properly sealed to the wall. The wall must be tiled down to the top edge of the tray.

Do not angle out bottom tile.
TRAY MUST BE LEVEL IN ALL DIRECTIONS!

TRAY MUST BE SEALED FULLY AROUND WHERE THE TRAY MEETS THE WALL.

100%Level!

Silicone

3

3A

Clip

Left hand

3B

Right hand

3A. This is a reversible product but is preassembled in left hand configuration.
3B. To change to right hand loosen the grub screw in the clip, remove and rotate 180 degrees and then slide back into the profile.
 Note: Product is shown in left hand configuration throughout the rest of the installation guide.

2

Size	X
1000	950-990
1100	1050-1090
1200	1150-1190
1300	1250-1290
1400	1350-1390
1500	1450-1490
1600	1550-1590
1700	1650-1690

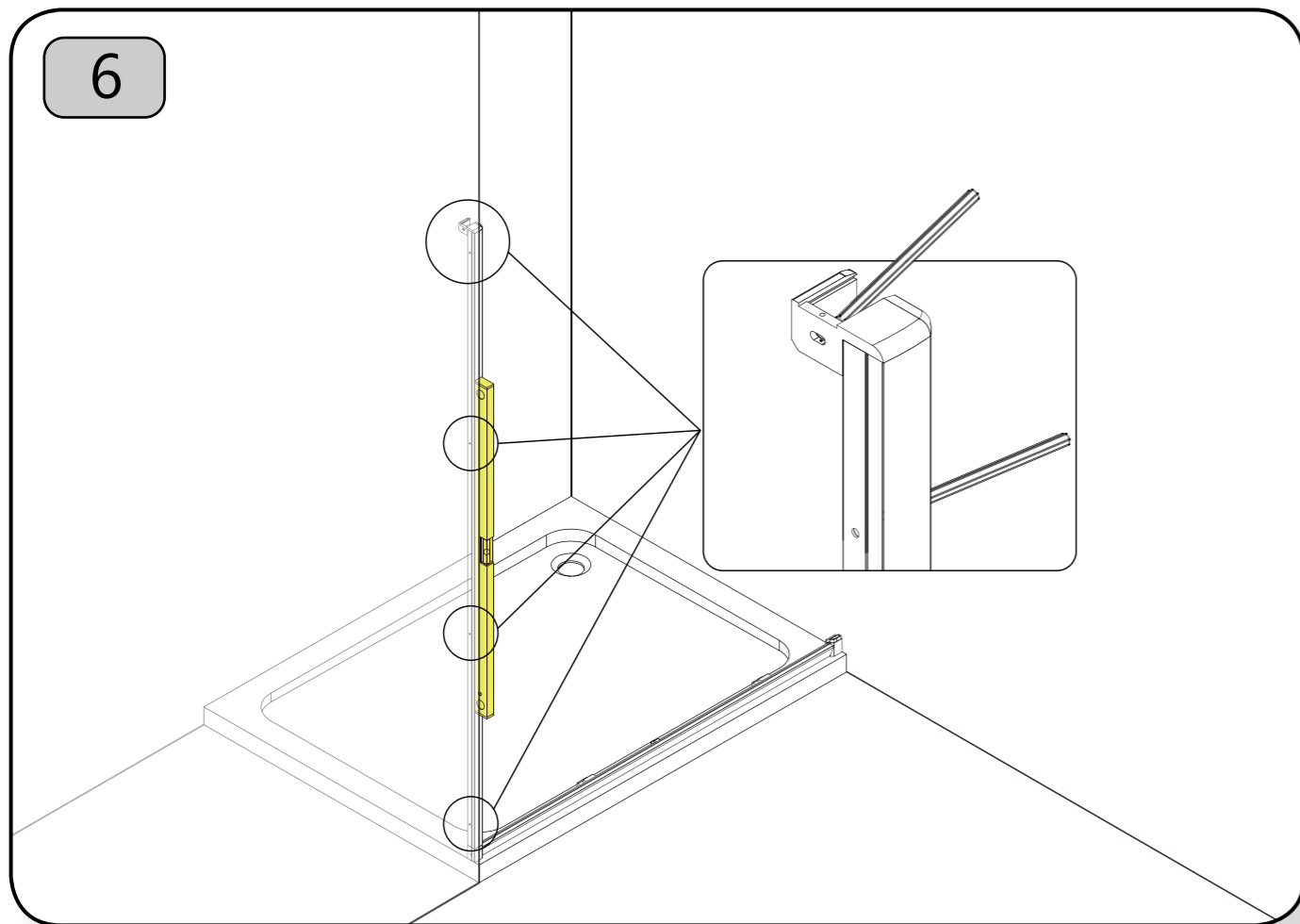
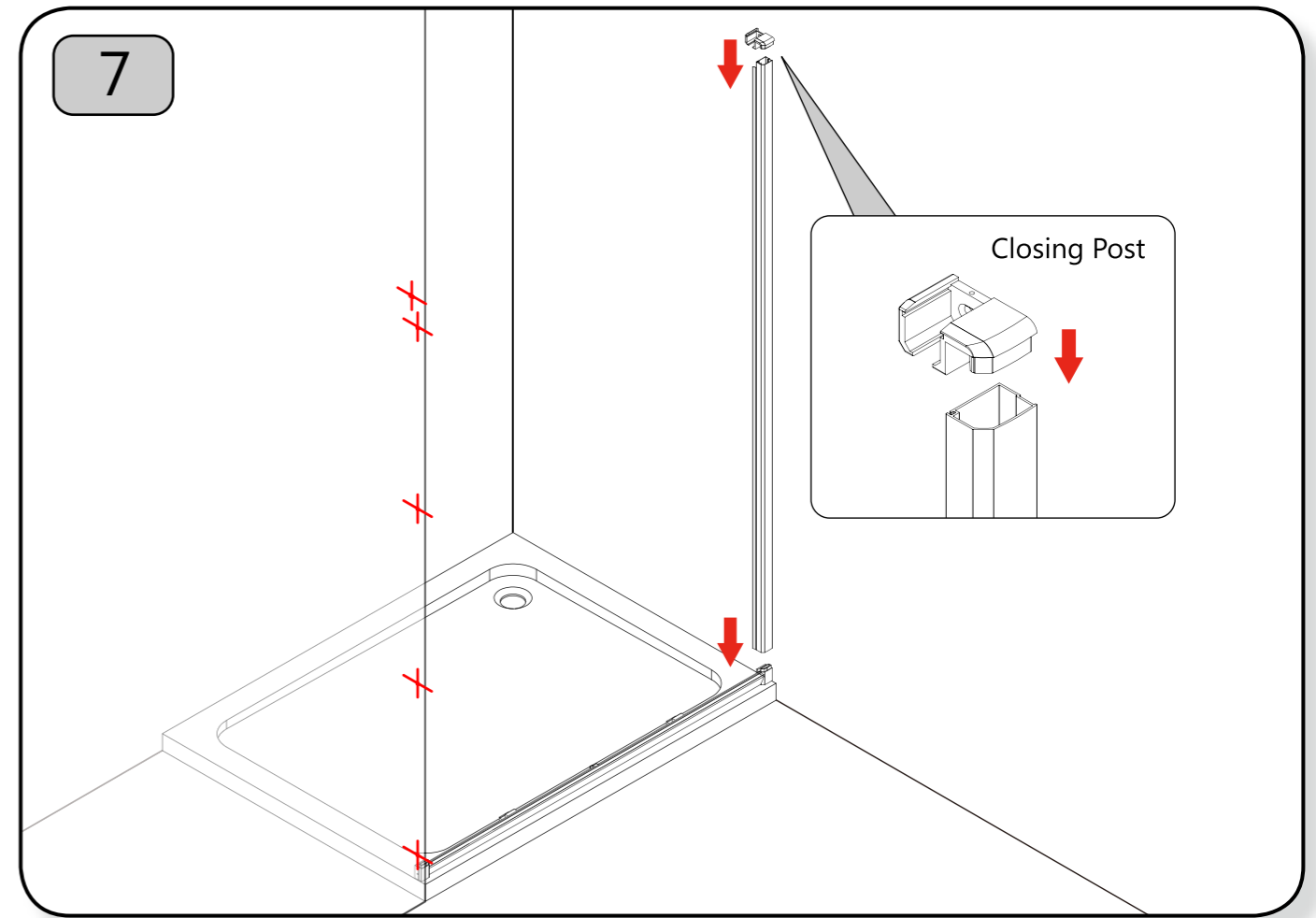
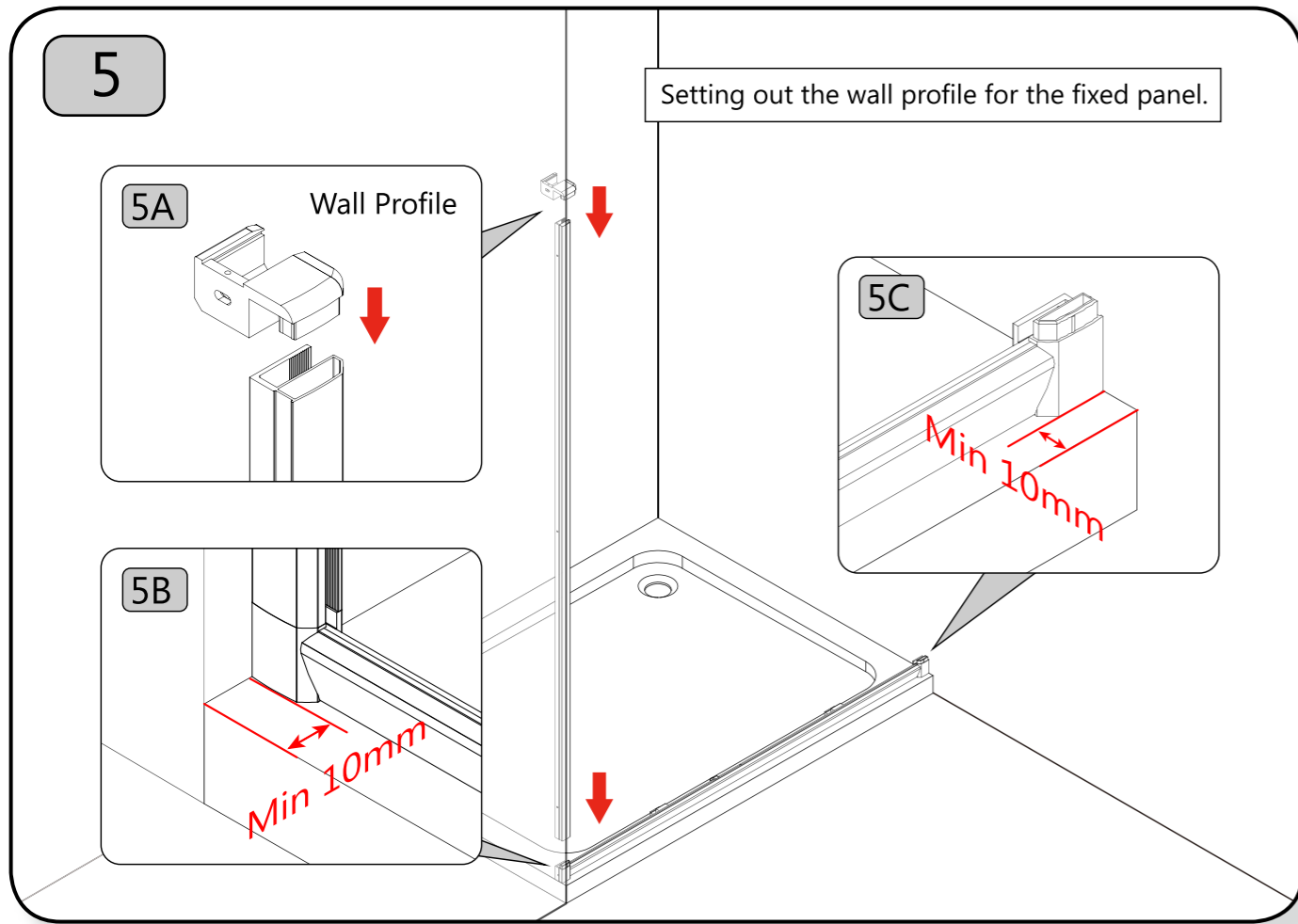
4.

4

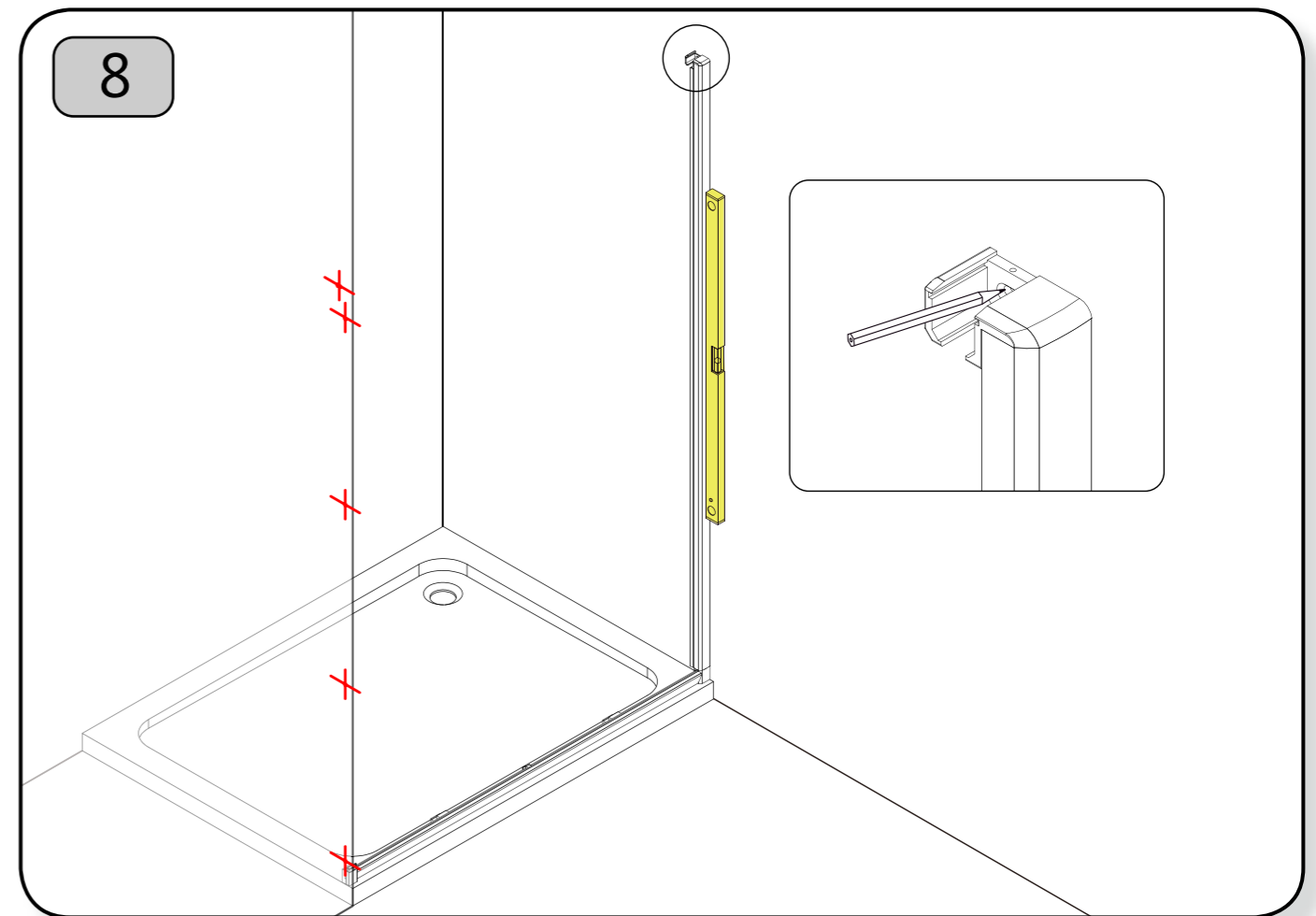
Note the line marked in the ends of the profile. This is to show the limit of the 20mm adjustment used later in the installation. The line should not come past the edge of the bottom bracket.

Bottom bracket

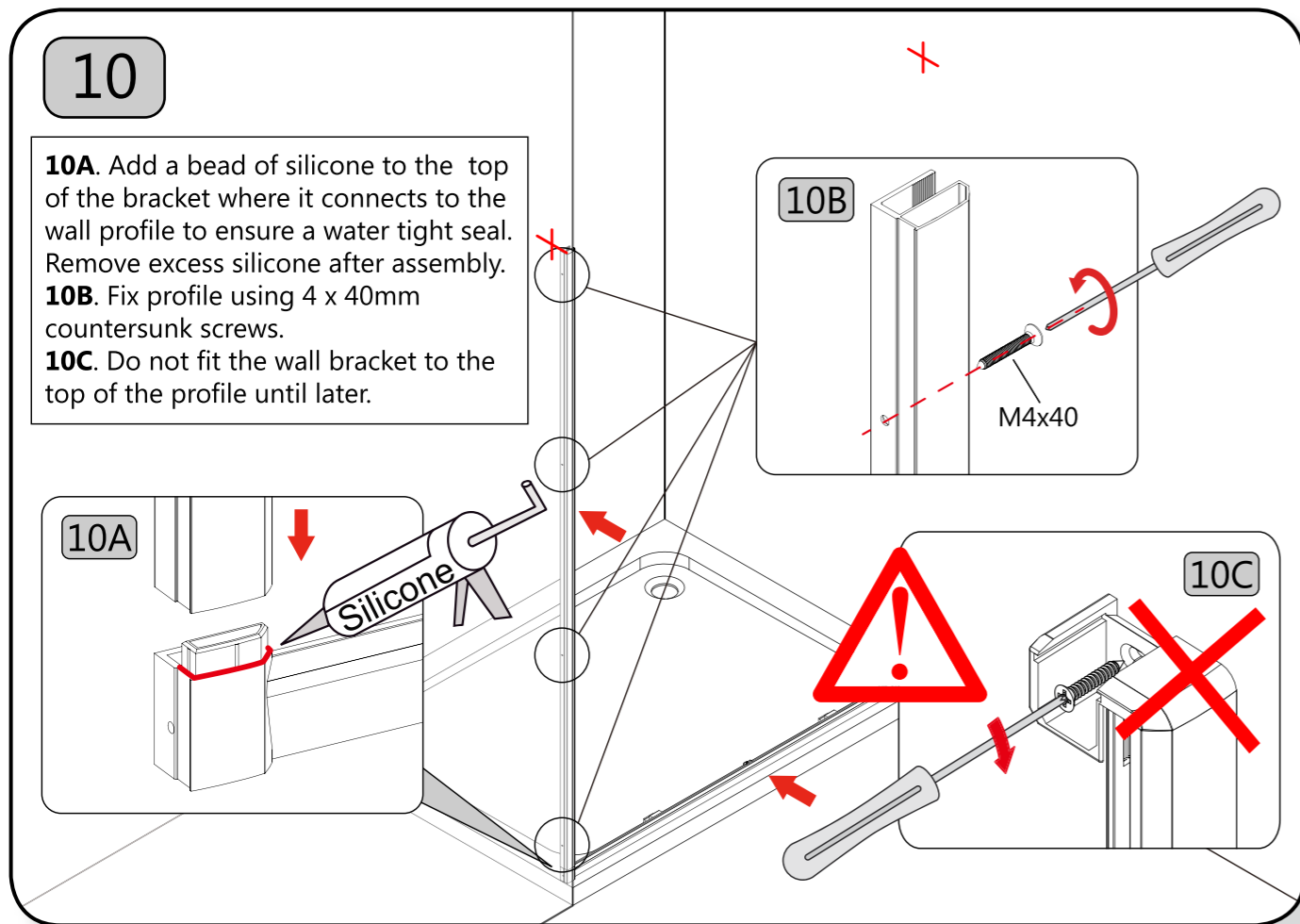
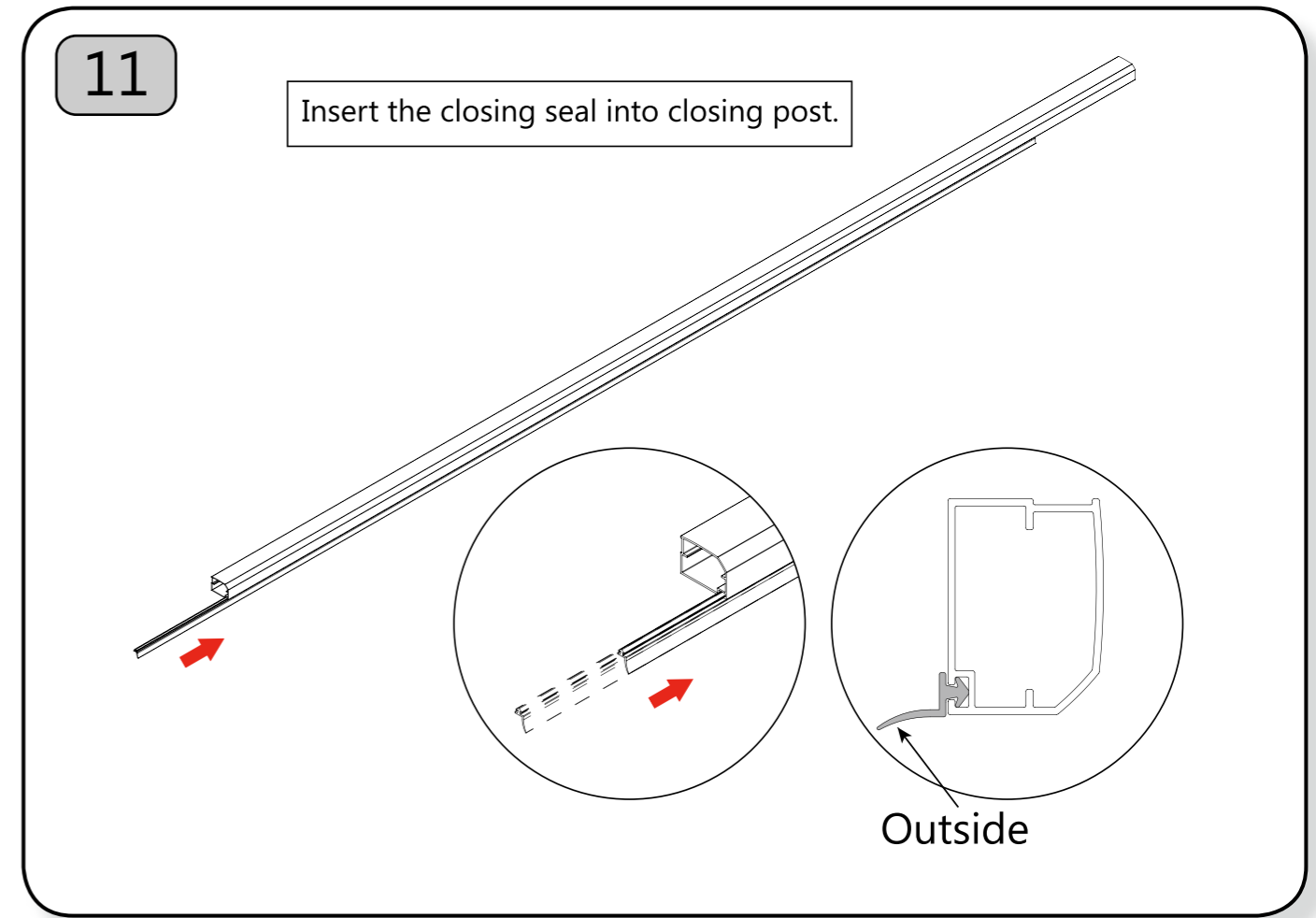
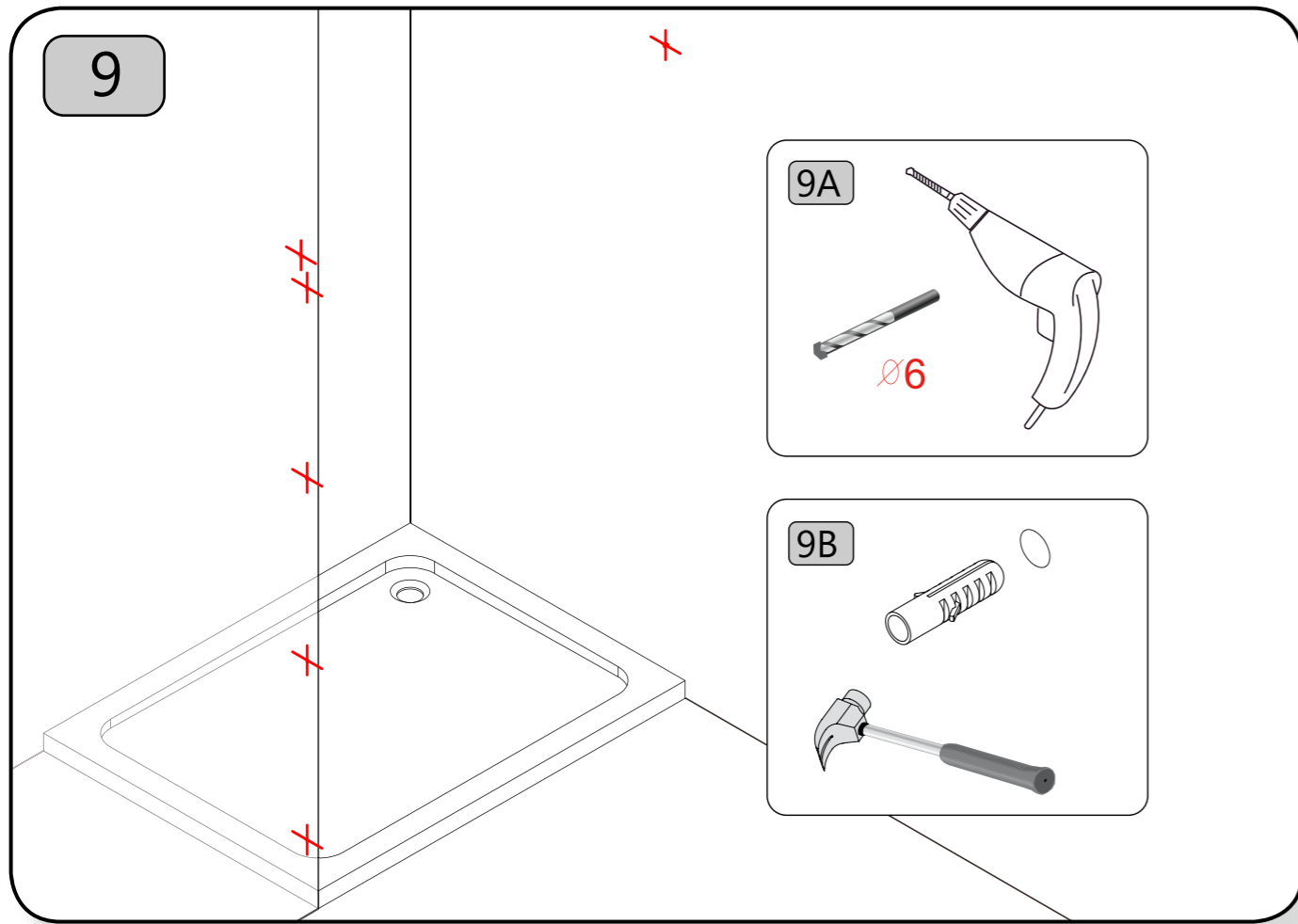
5.



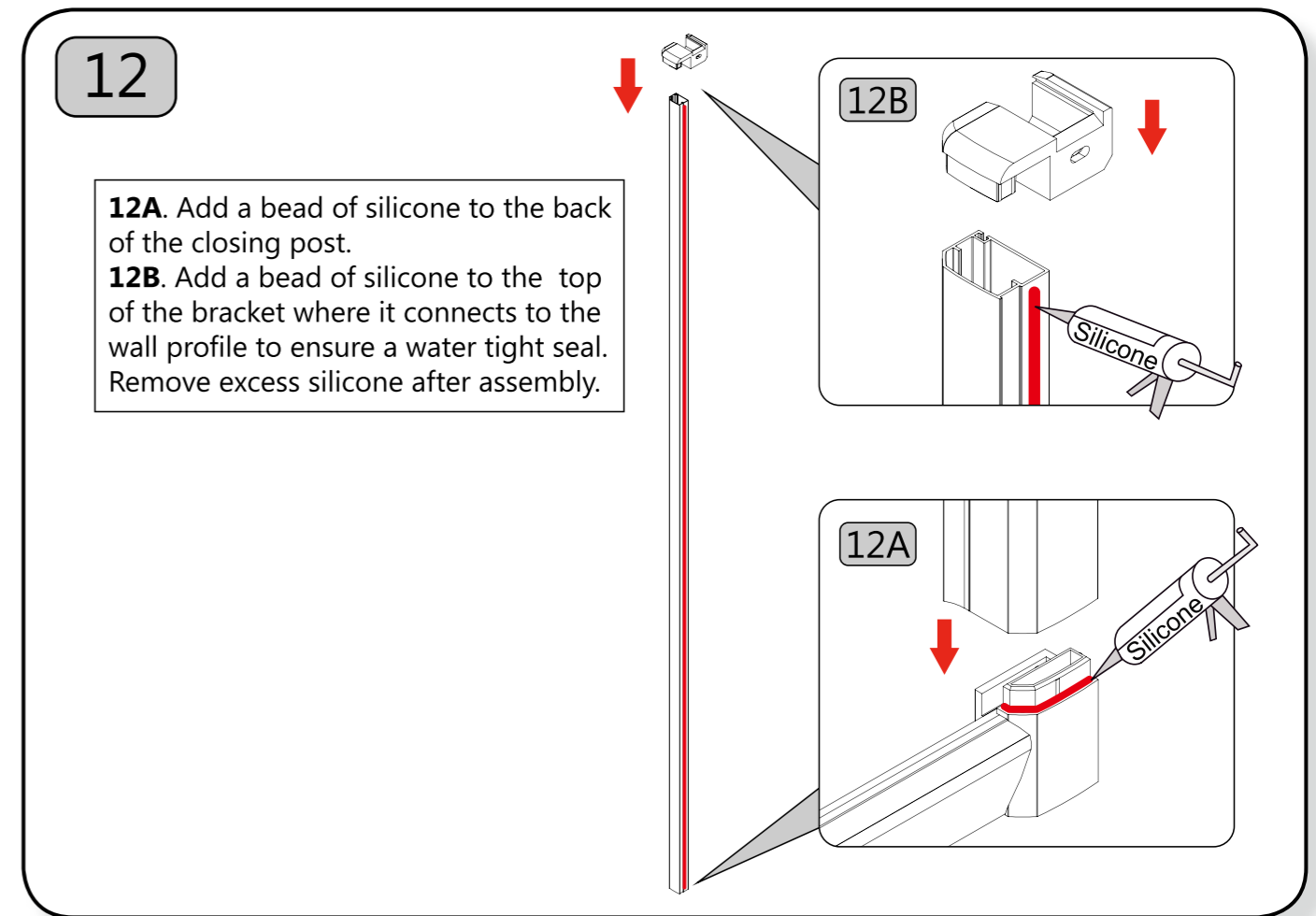
6.



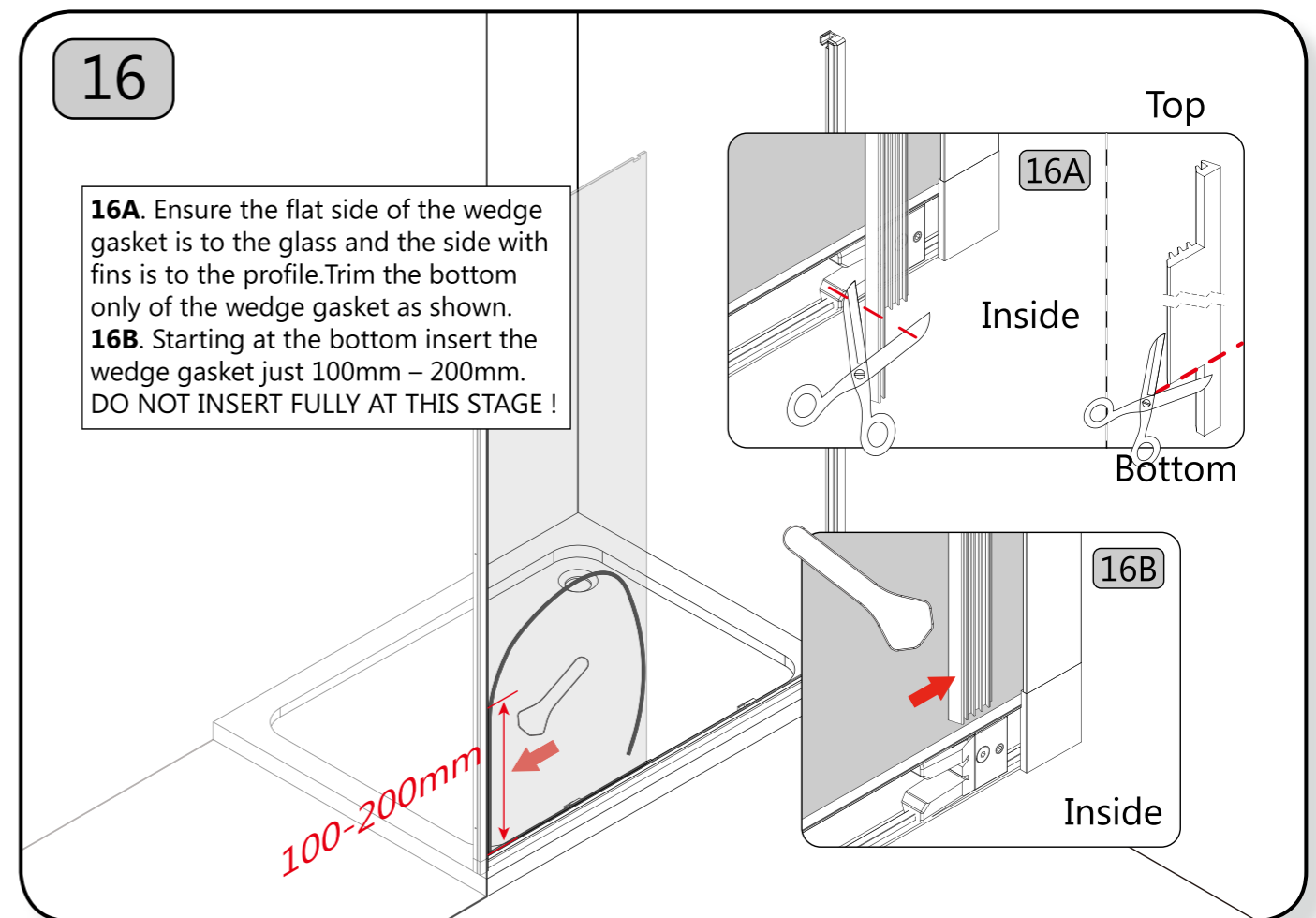
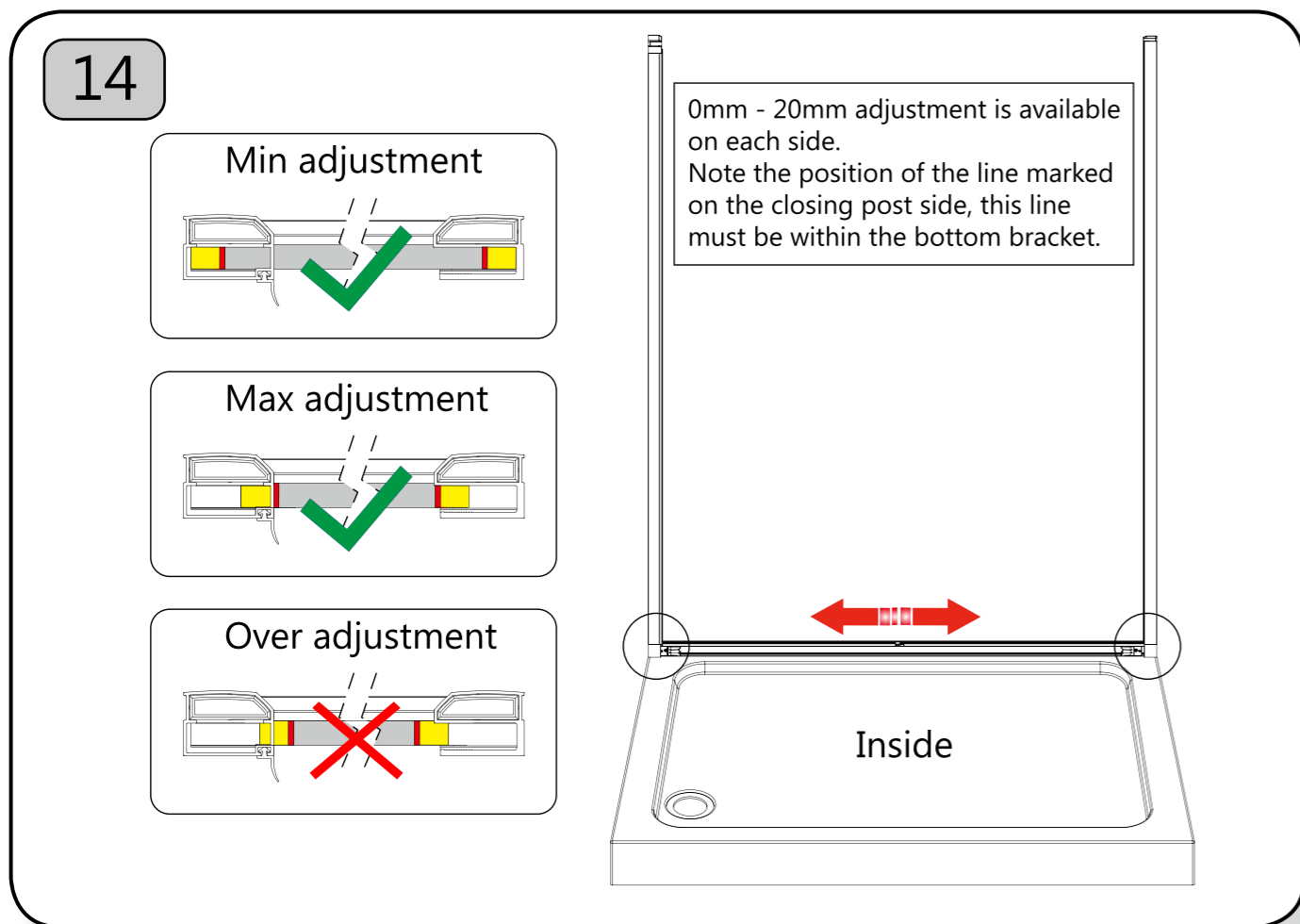
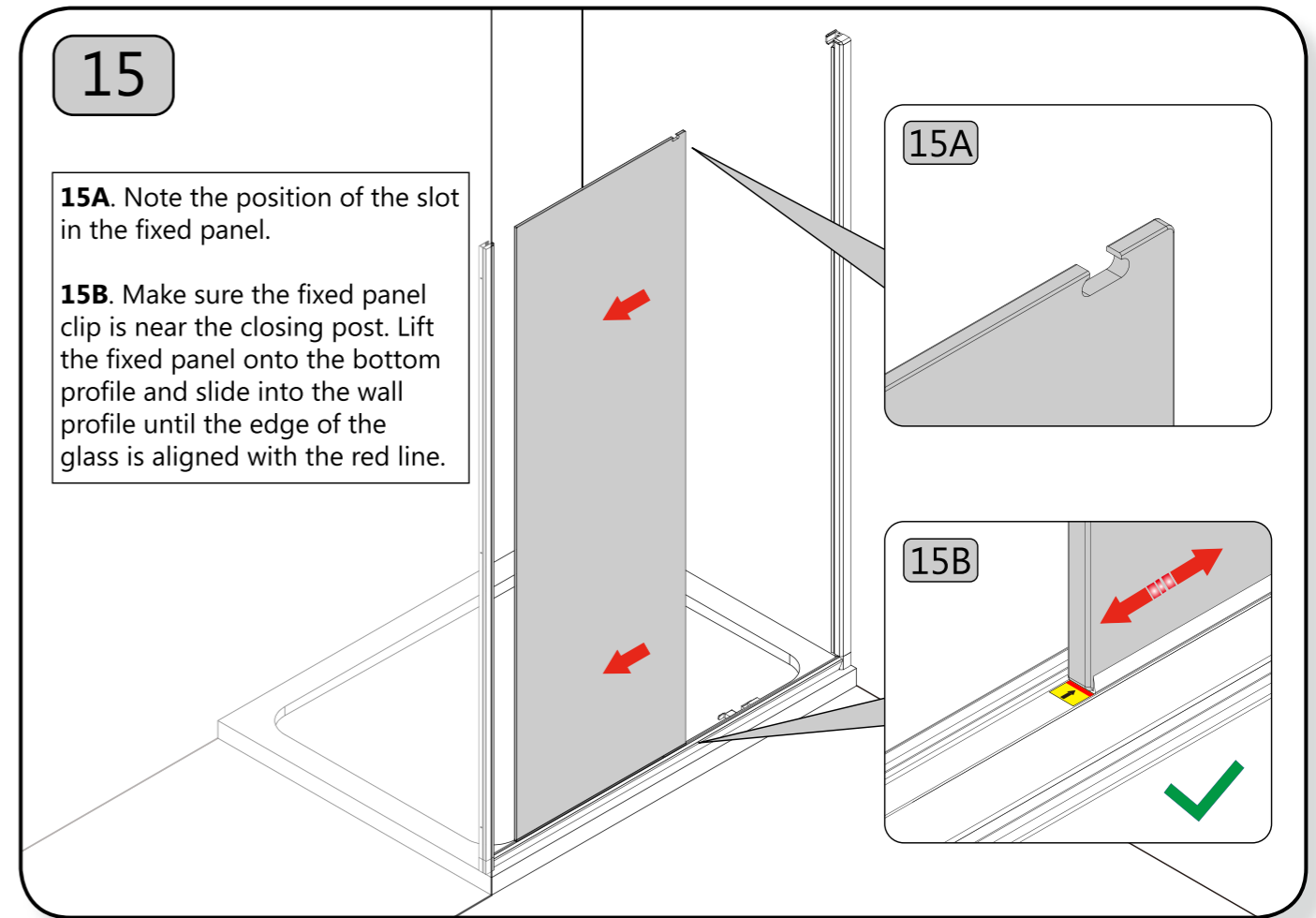
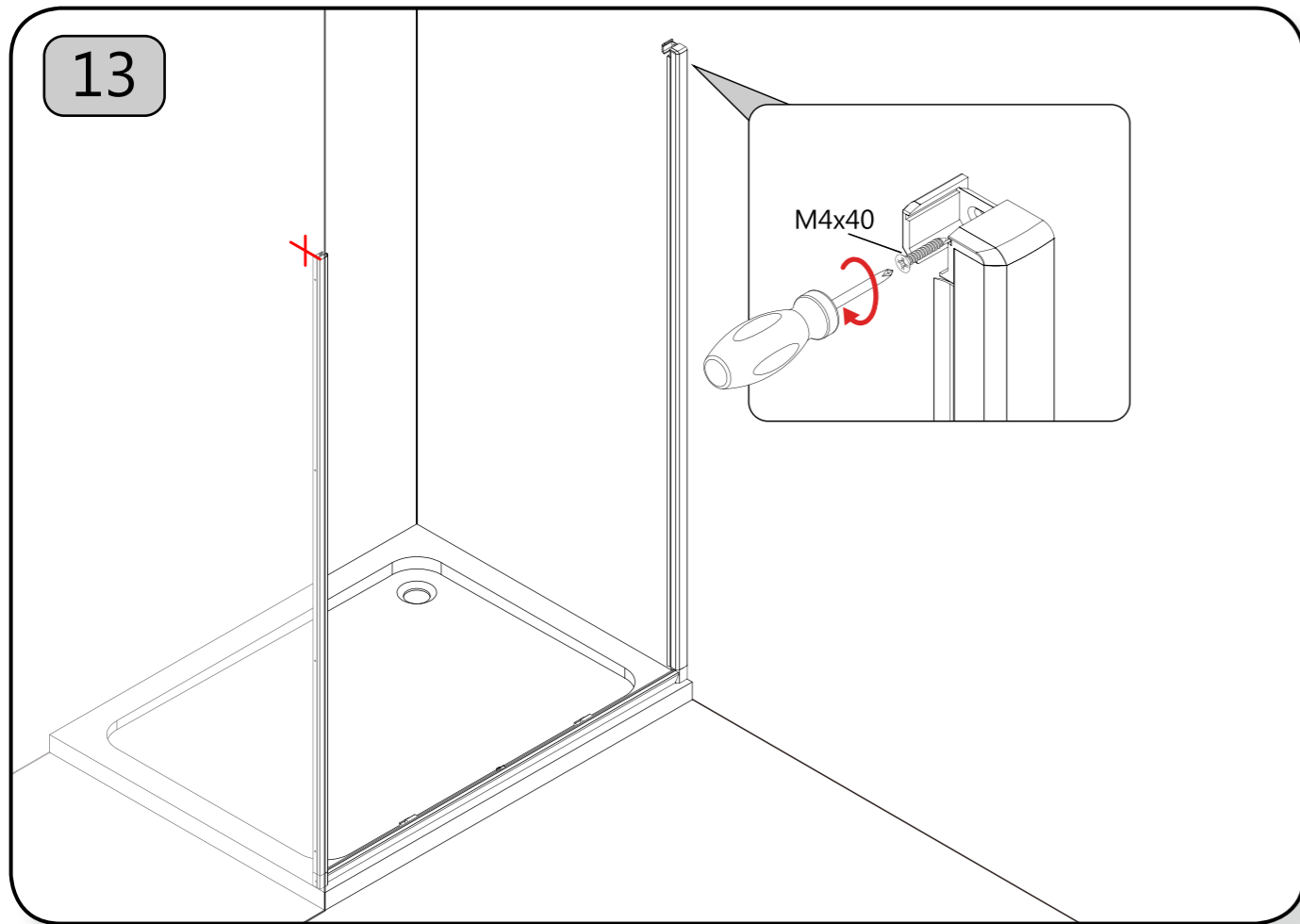
7.

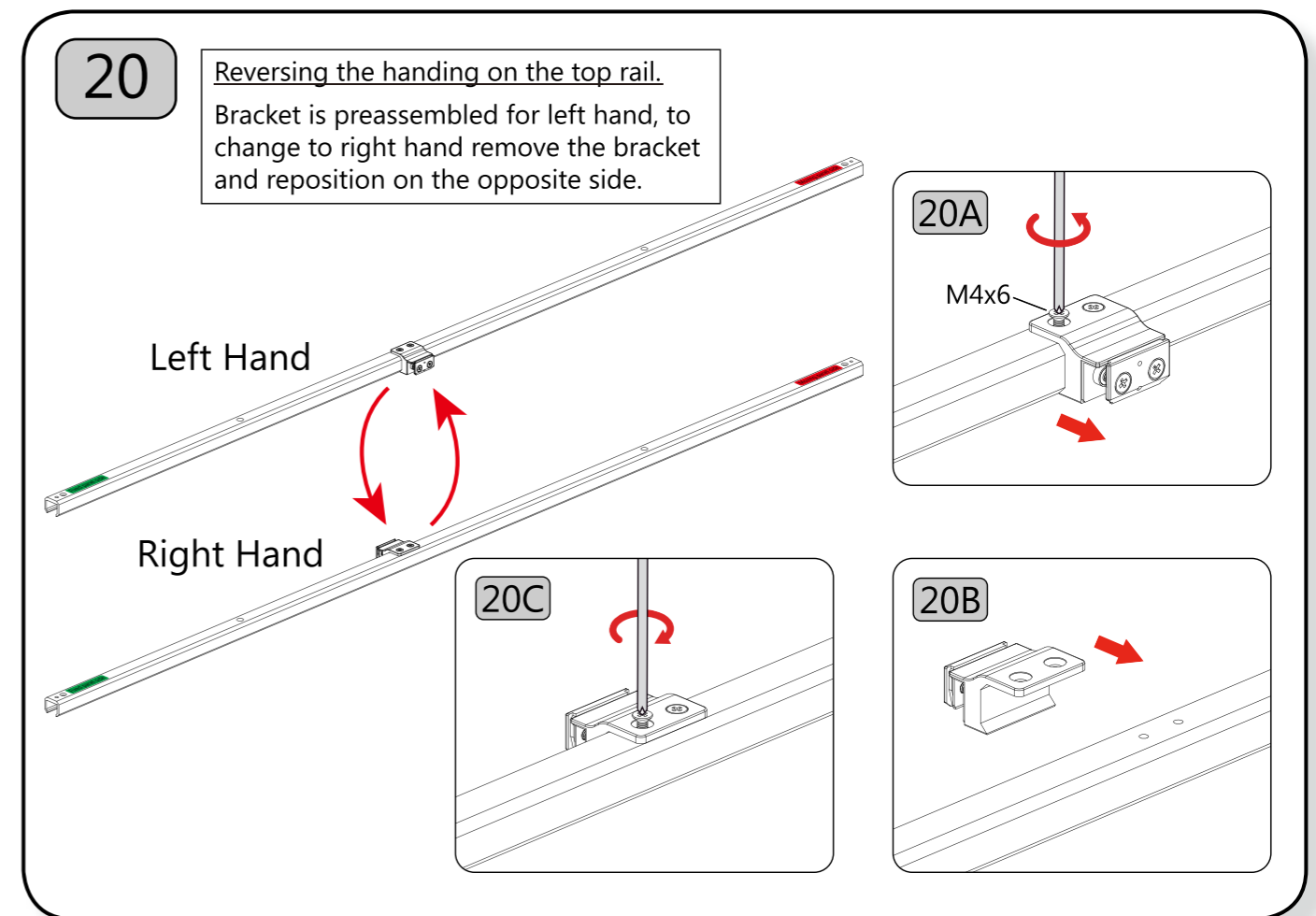
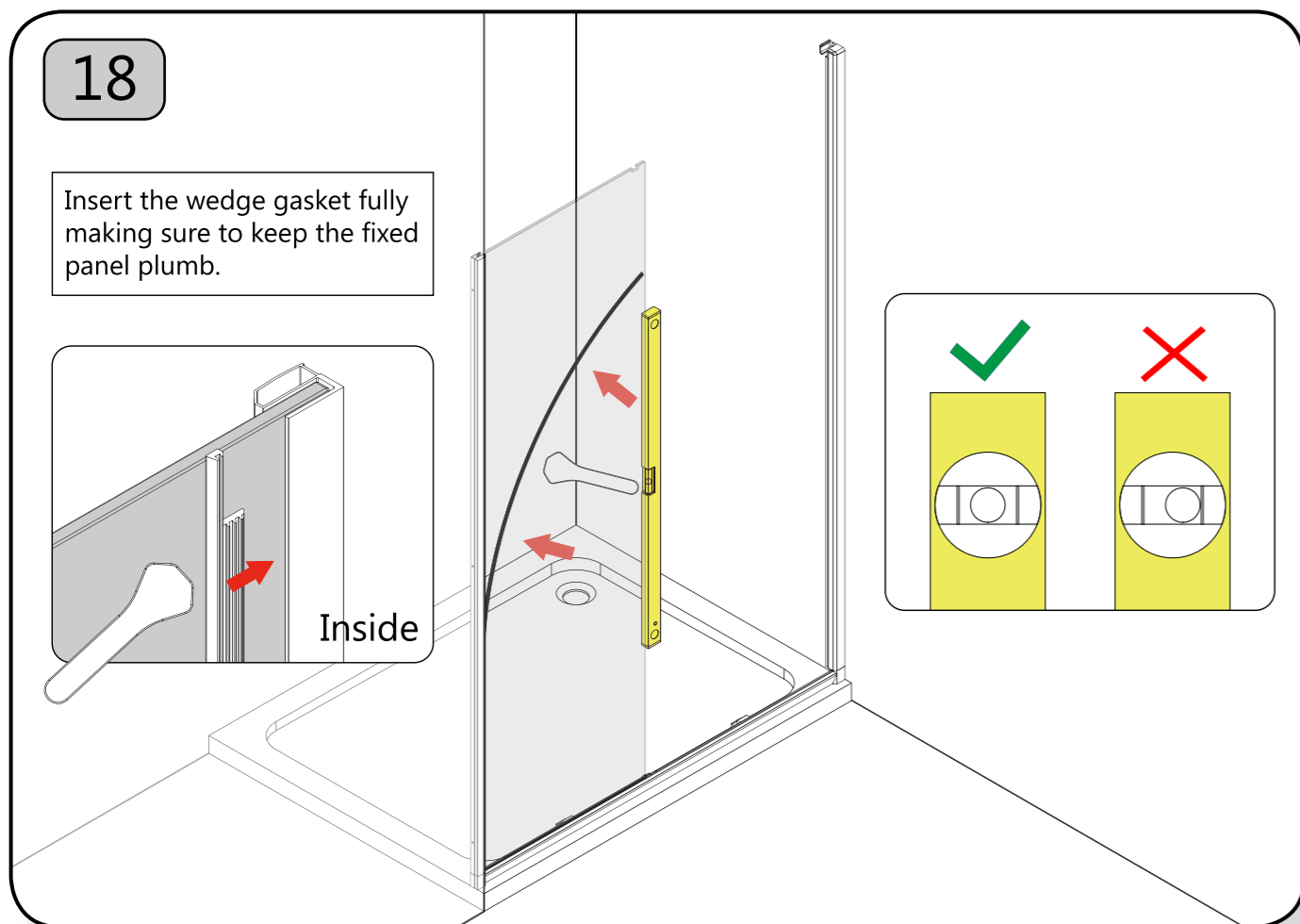
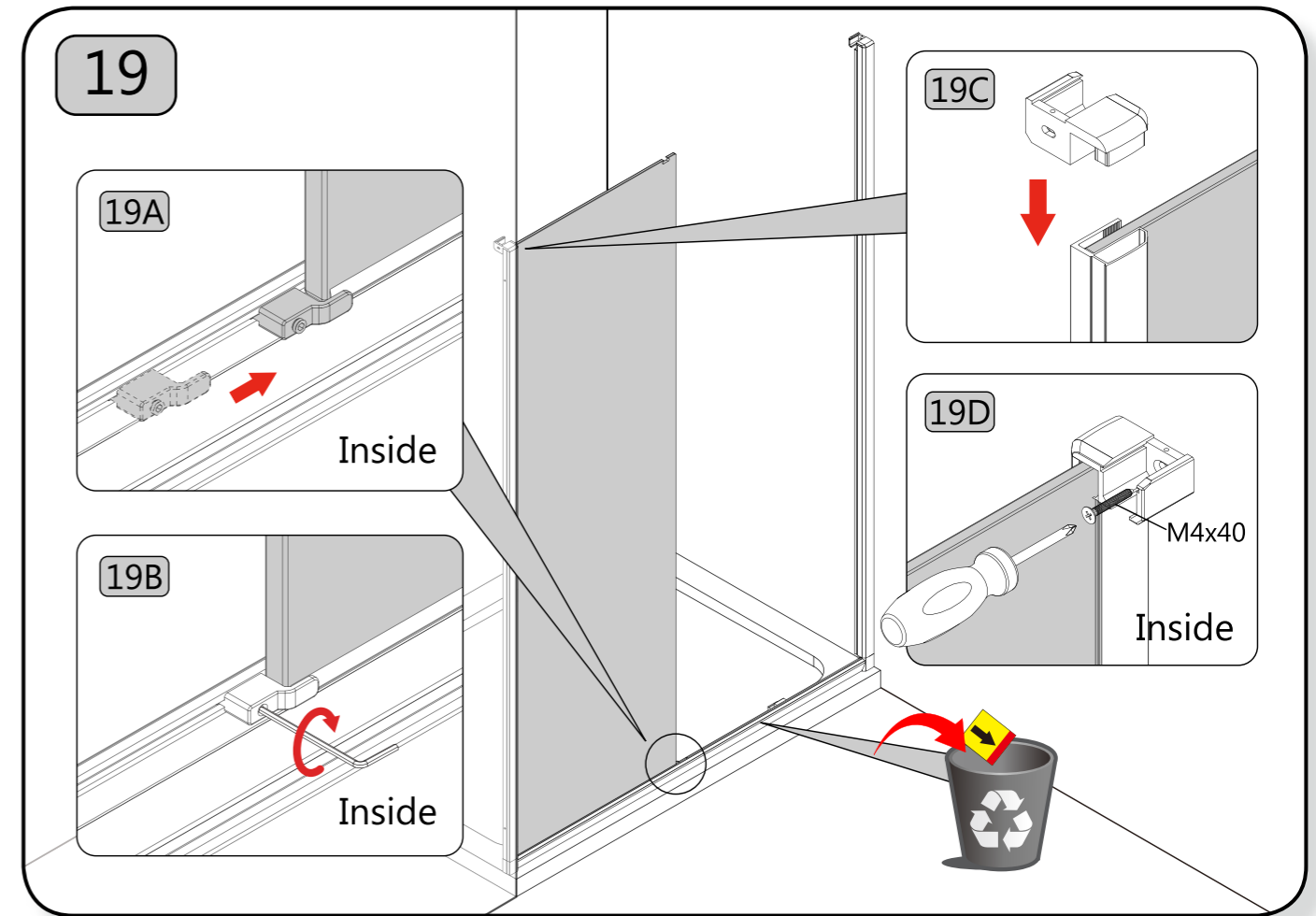
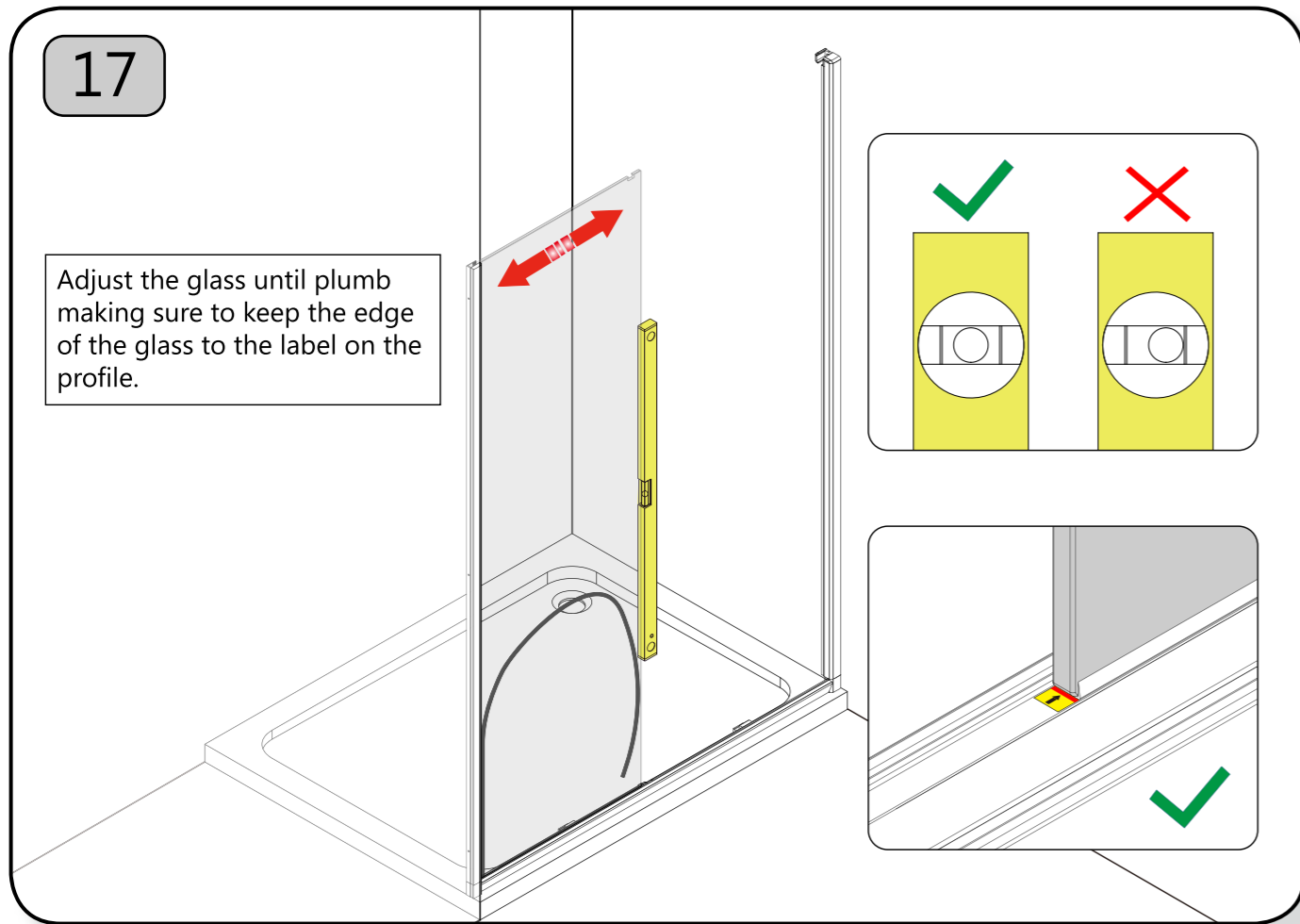


8.



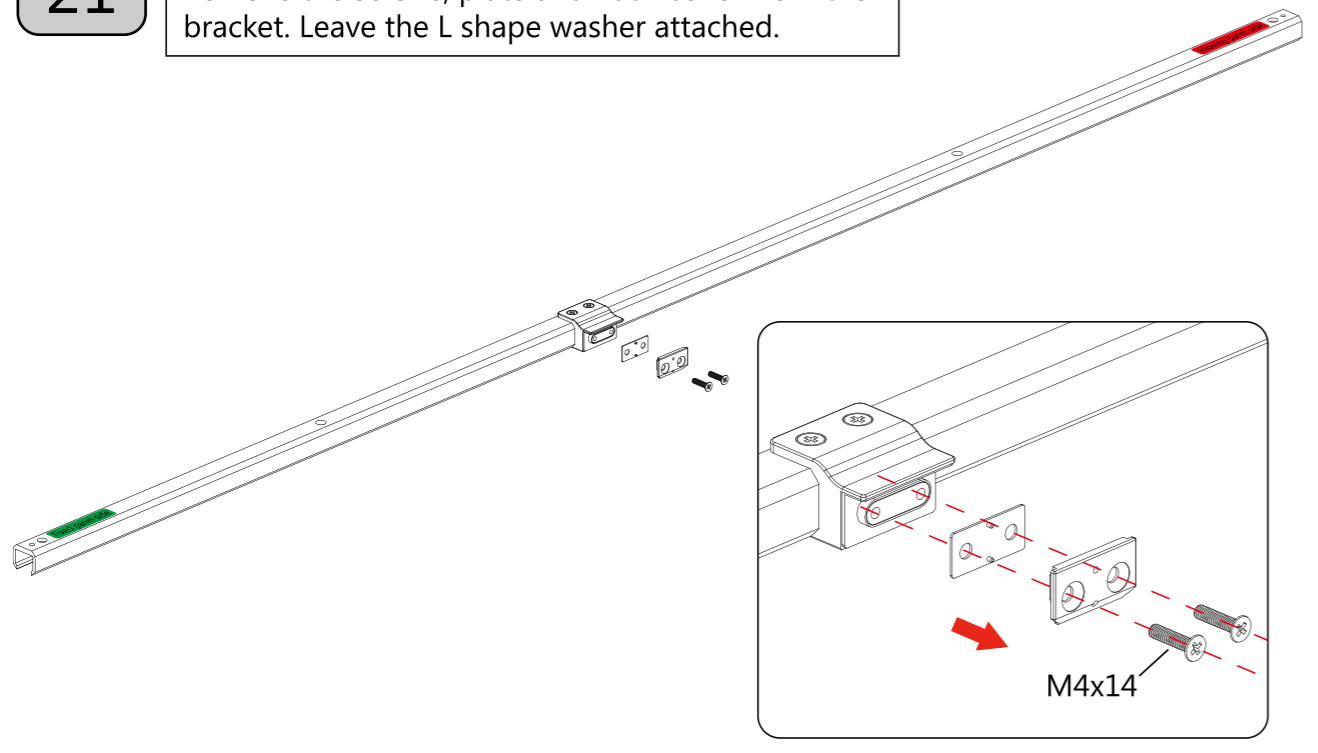
9.



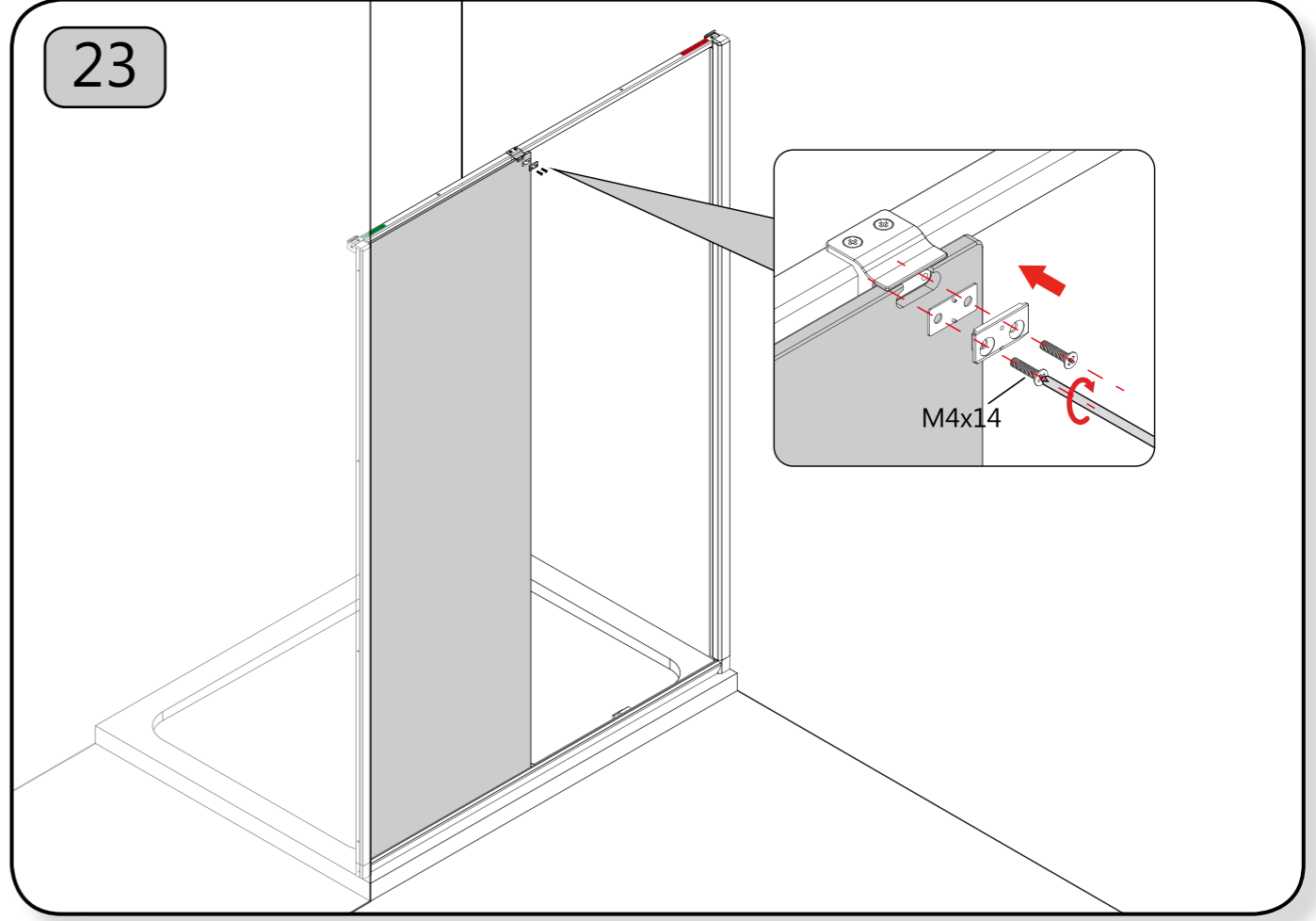


21

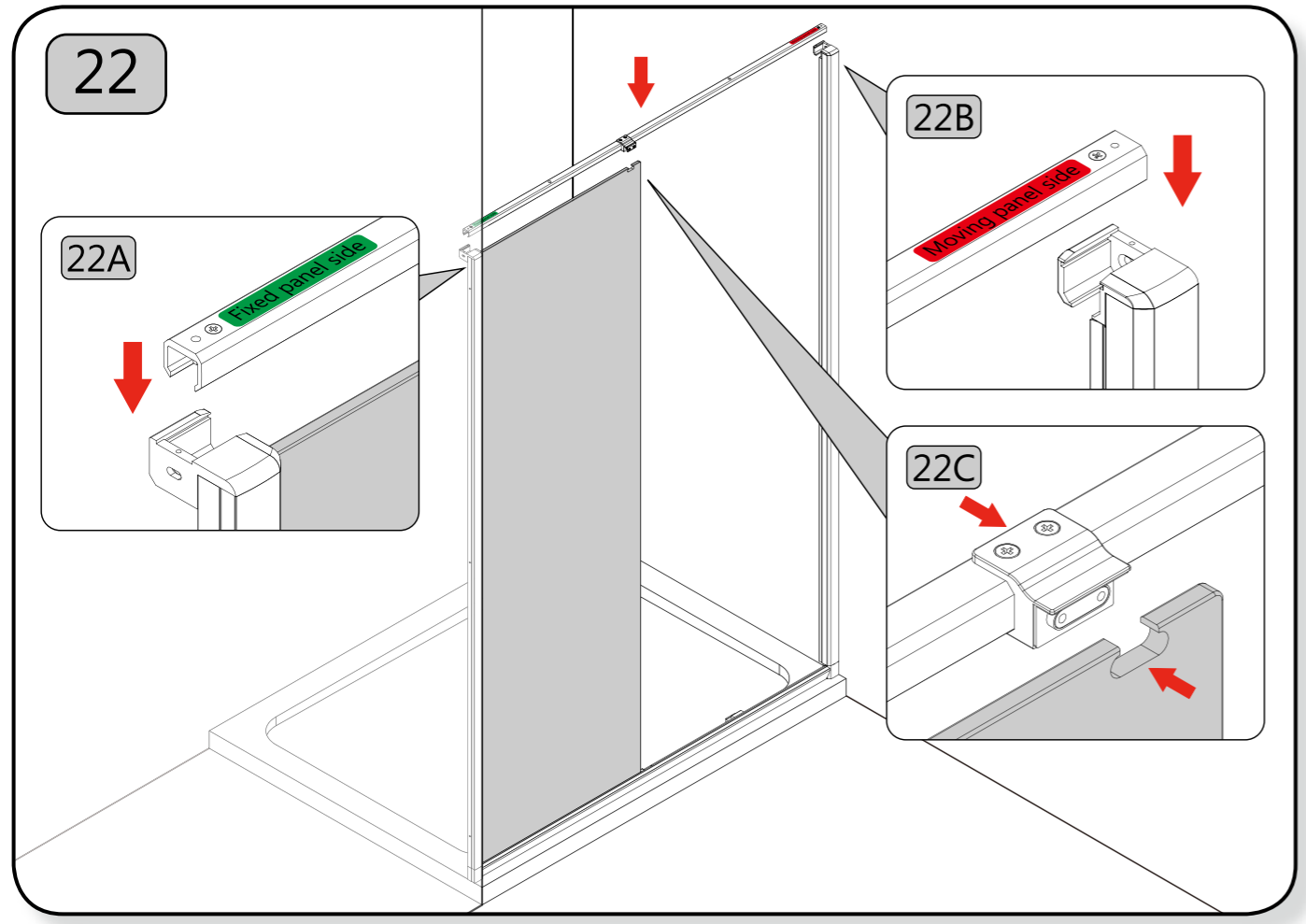
Remove the screws, plate and flat washer from the bracket. Leave the L shape washer attached.



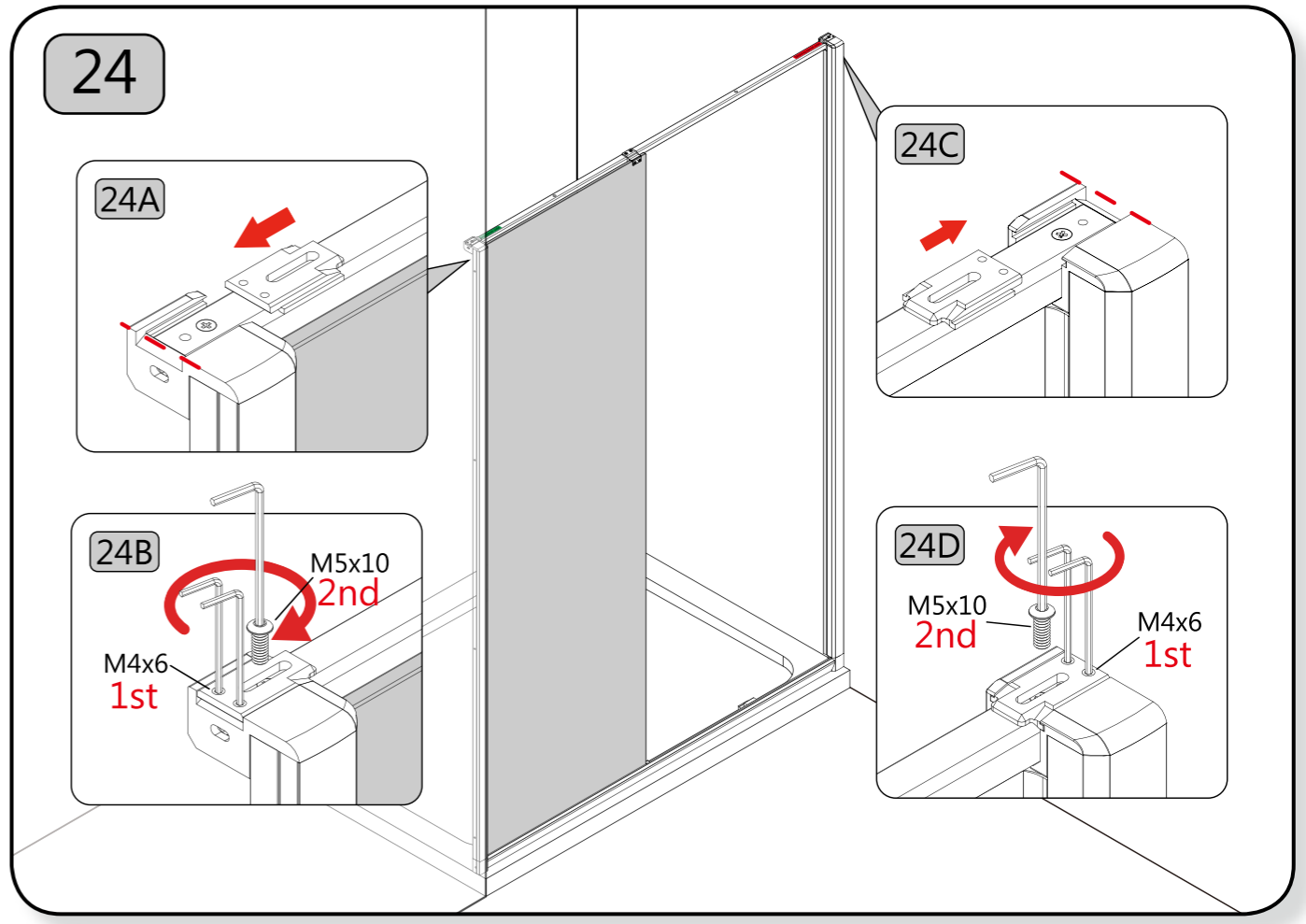
23



22



24



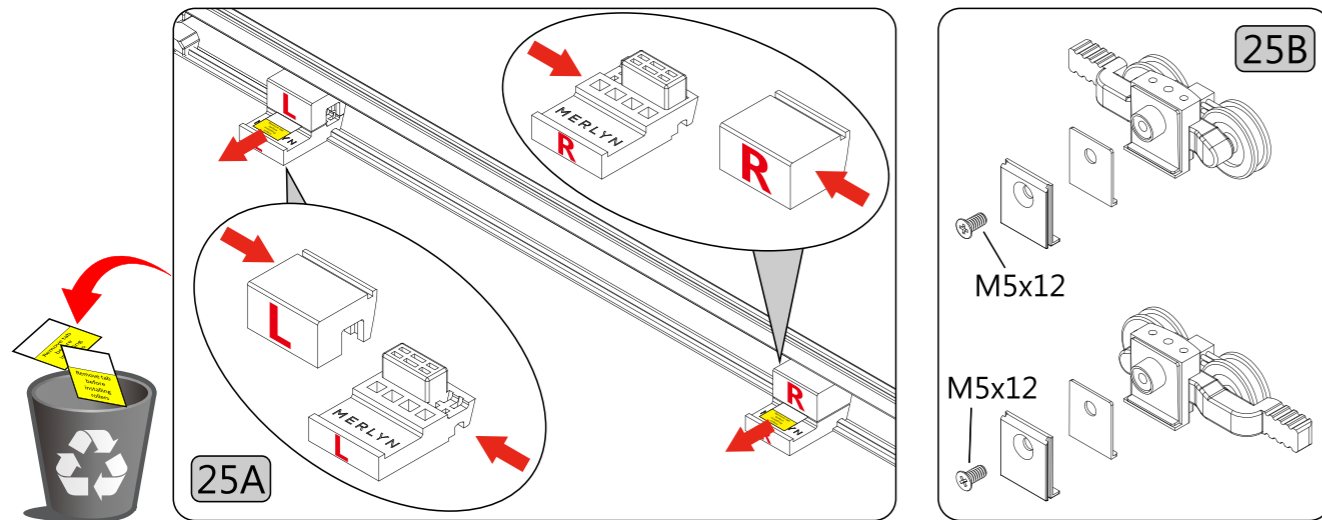
25

Moving panel installation

25A. Installation tools for the moving panel are preassembled to the bottom profile. These may have moved during transit or have been removed during the unboxing and need to be in the correct position to fit the moving panel.

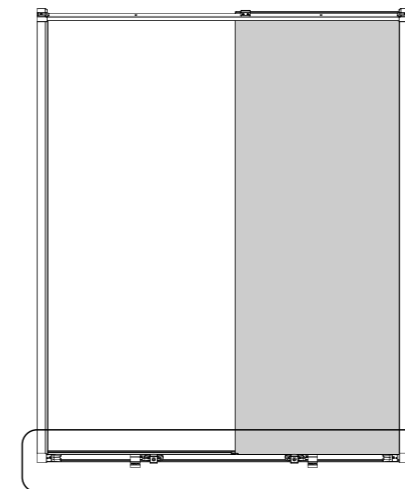
Note: Parts are left and right handed (L&R) and are fitted from inside the enclosure.

25B. Remove the fixing plate and washer from both rollers.

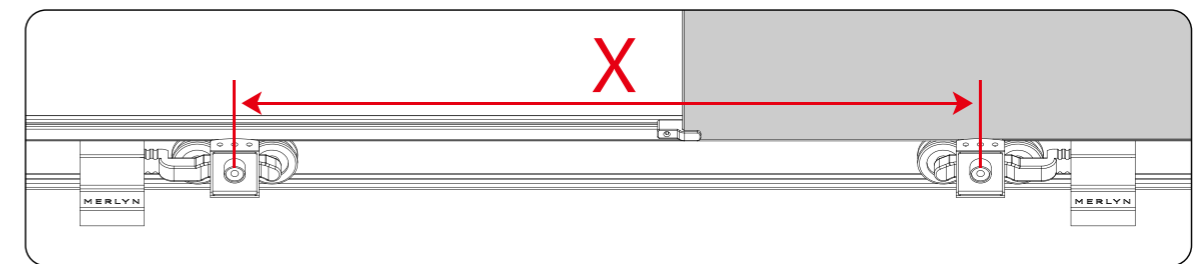


27

Position the installation tools and rollers in the centre of the enclosure. Measure from centre to centre of the rollers and set the distance X according to the product size table.



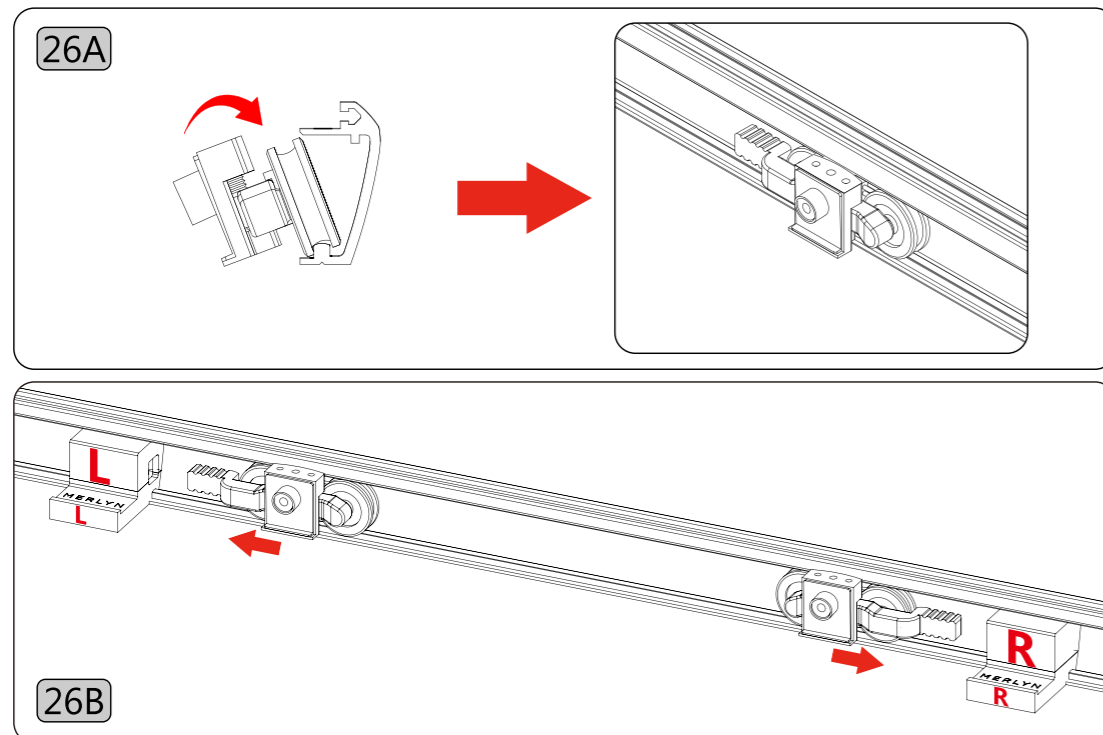
Size	X
1000	311
1100	361
1200	411
1300	461
1400	511
1500	511
1600	511
1700	511



26

26A. Place the roller on the track at a slight angle and tilt forward.

26B. Slide the roller arm into the slot in the installation tool to hold the roller upright.

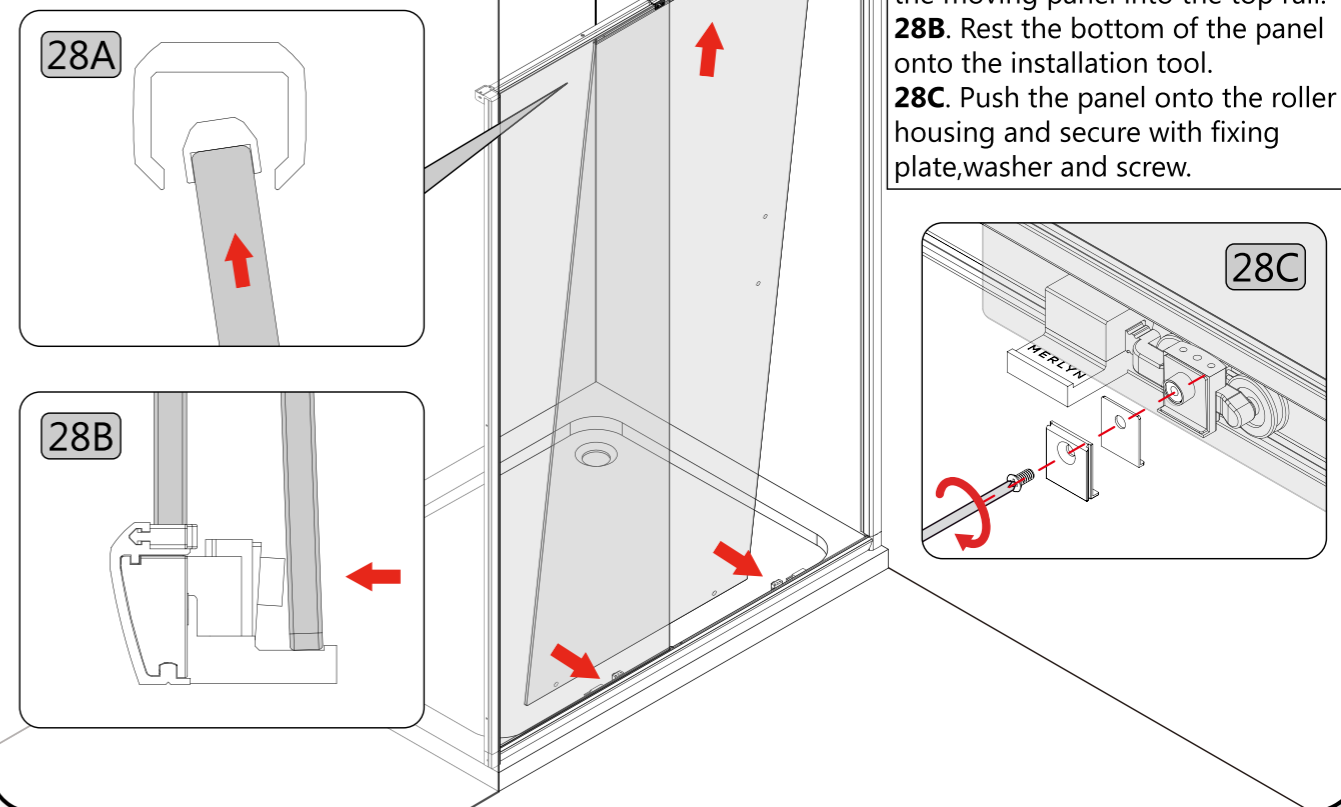


28

28A. From inside the enclosure place the moving panel into the top rail.

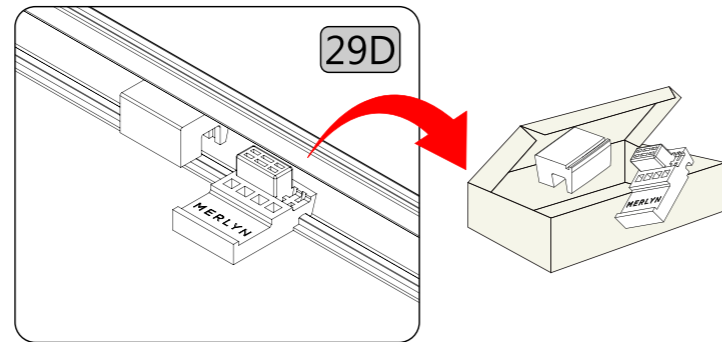
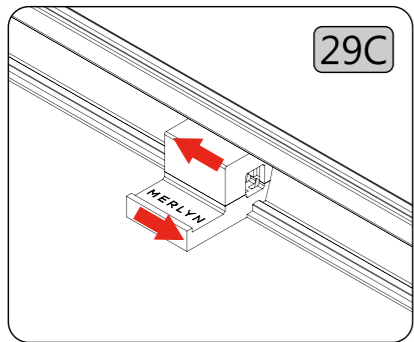
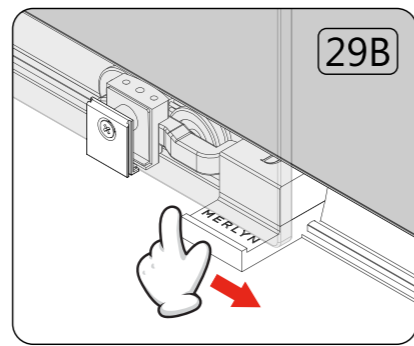
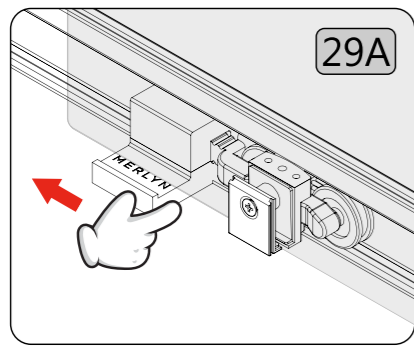
28B. Rest the bottom of the panel onto the installation tool.

28C. Push the panel onto the roller housing and secure with fixing plate, washer and screw.

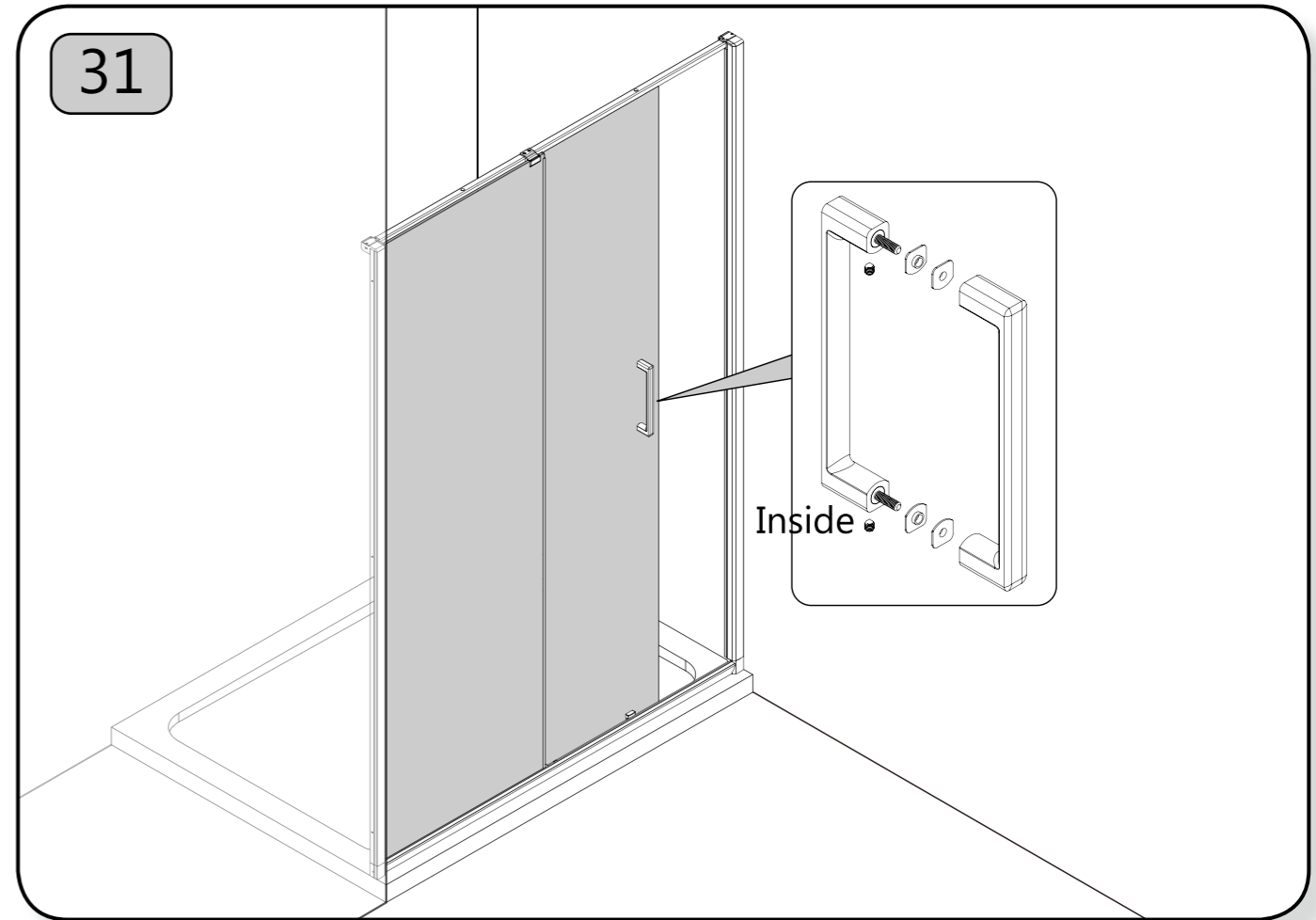


29

Remove the installation tools and keep for future maintenance and cleaning.

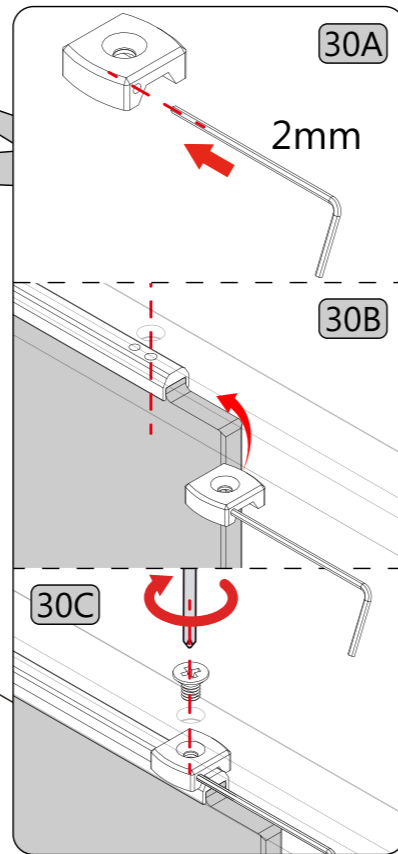


31



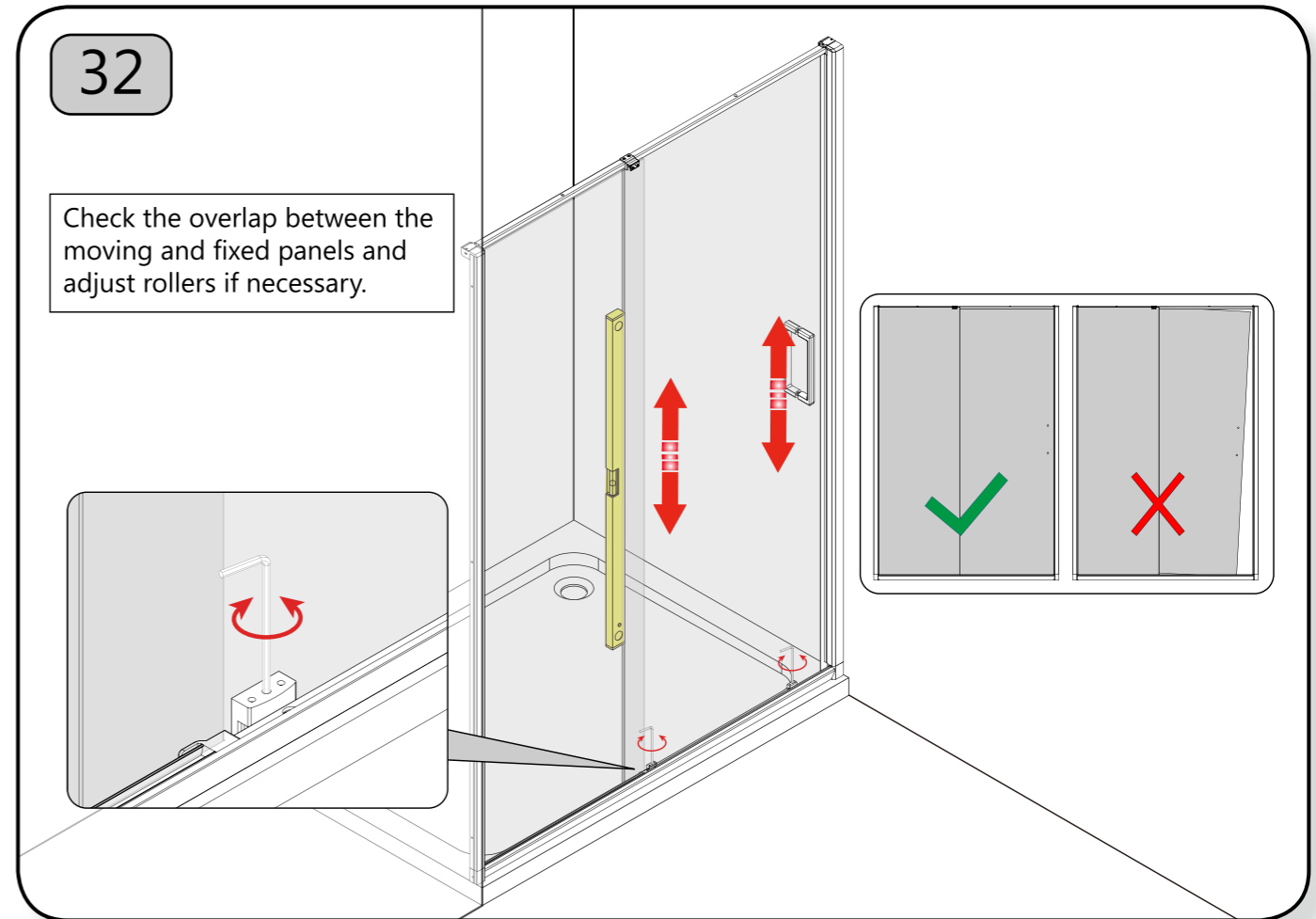
30

30A. Fit the guide to the long end of the 2mm hex key and slide onto the top of the moving panel.
30B. Align the hole in the guide with the hole in the top of the moving panel and the hole in the top rail.
30C. Fix the guide to the top of the moving panel with screw SP08HWSI29. **DO NOT OVER TIGHTEN !** Remove the hex key.



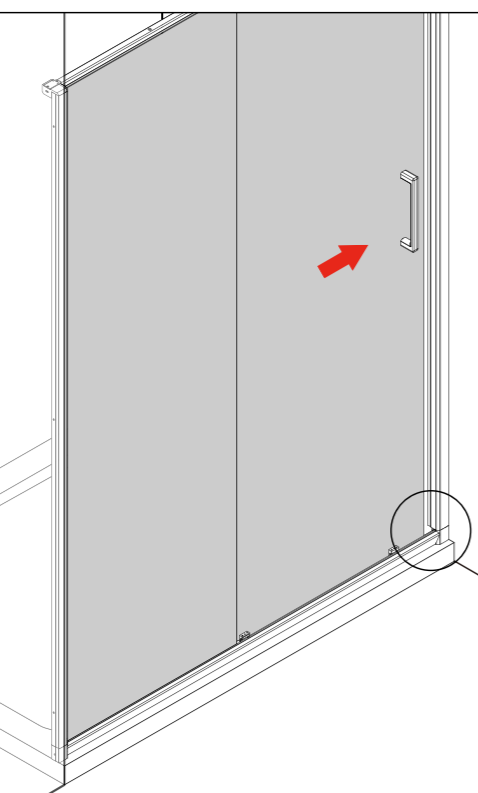
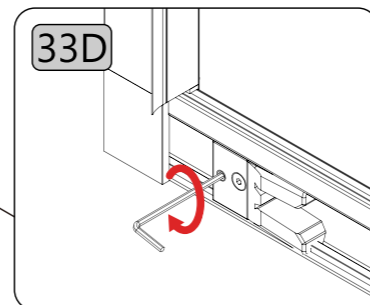
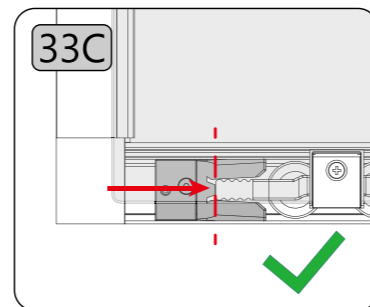
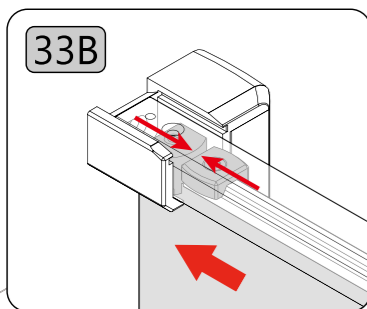
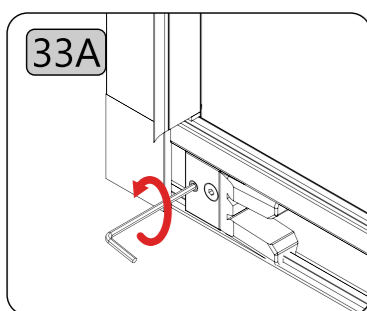
32

Check the overlap between the moving and fixed panels and adjust rollers if necessary.

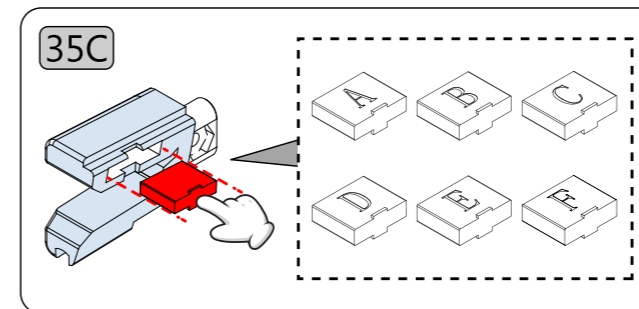
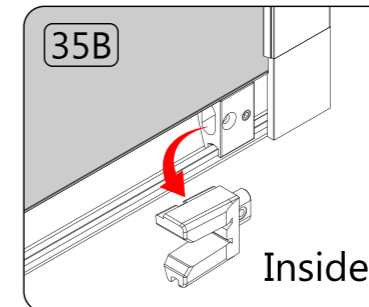
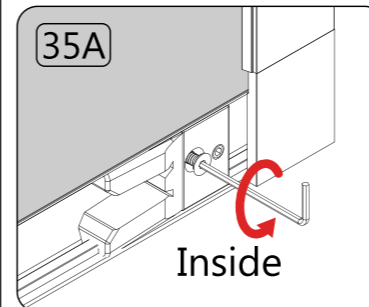


33

33A. Loosen small grub screw with the 2mm Hex Key.
33B. Slide the moving to the fully closed position making sure it is touching the bump stop in the top rail.
33C. Slide the bottom stop fully onto the roller arm. Make sure the top bump stop is still touching the edge of the moving panel. Hold the roller stop in position, then slide back the moving panel.
33D. Fully tighten the grub screw.



35



The soft close resistance of this product can be adjusted depending on the users preference and may also need to be adjusted depending on the door size purchased as all doors are fitted as standard to the lowest setting. This can be done simply by replacing the spacer within the soft close block.

Note: The spacer thickness increases from A to F.

35A. Remove the countersunk screw.

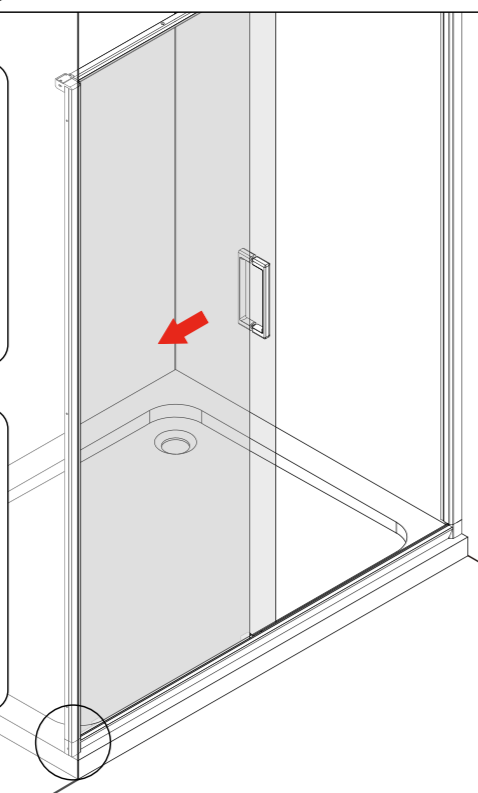
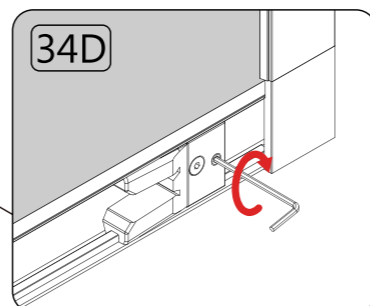
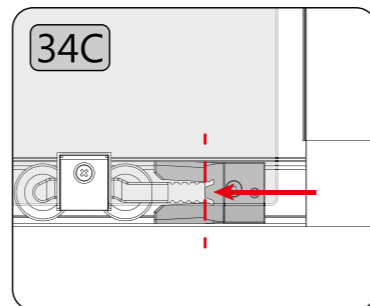
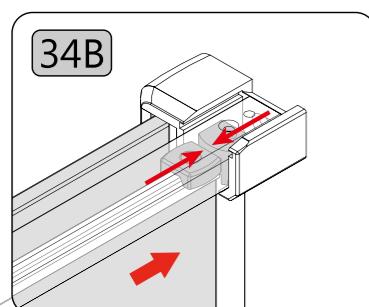
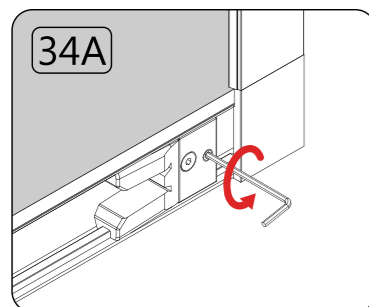
35B. Remove the soft close block.

35C. Slide out spacer, replace the spacer and reassemble. Test the function and repeat the process in increments until the desired soft close function is achieved.

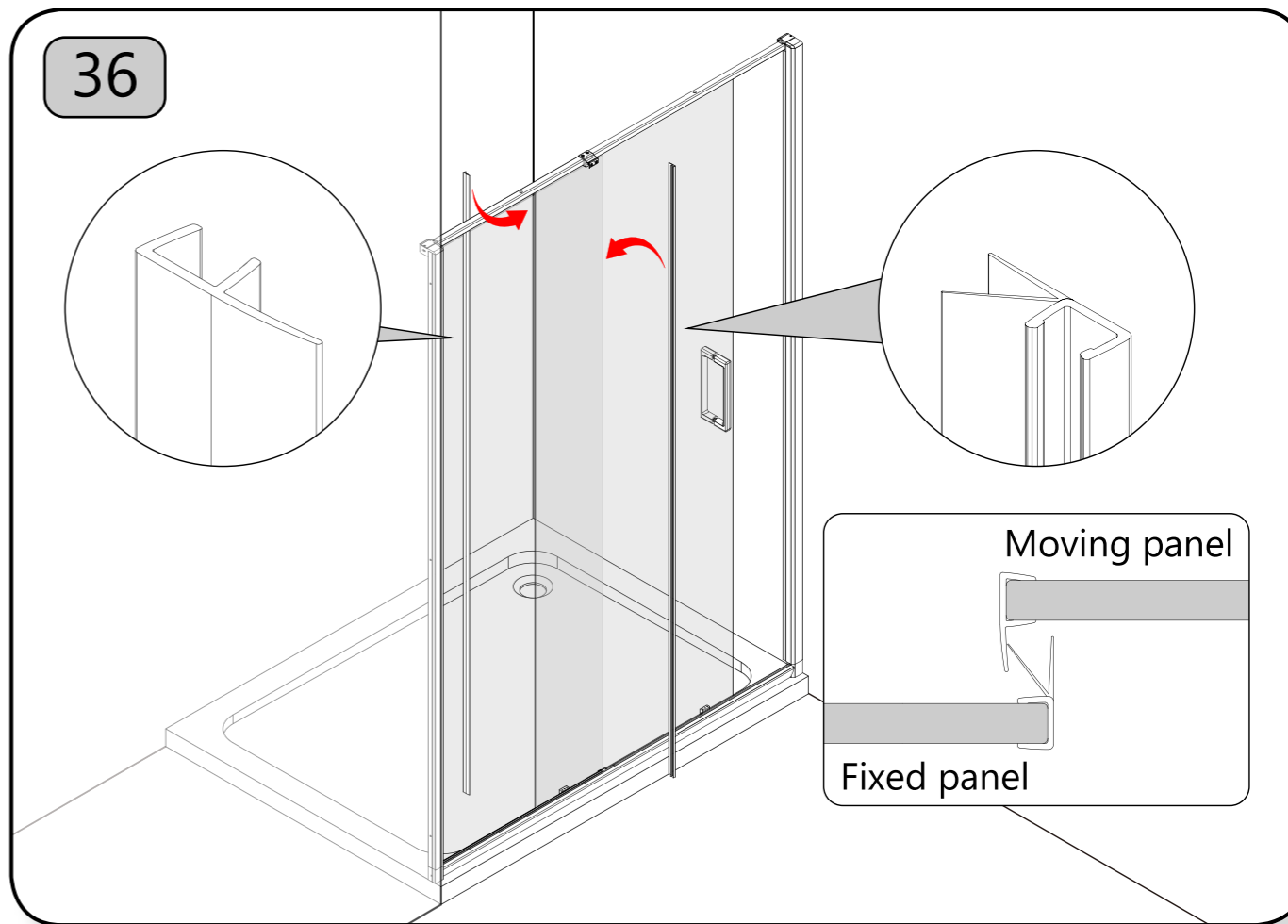
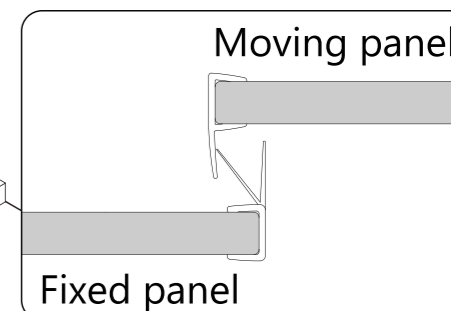
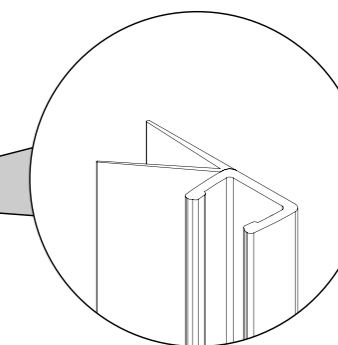
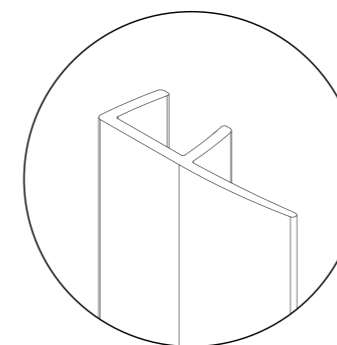
TOP TIP! To keep the soft close working at its optimum level periodical cleaning of the rubber is advised. Use a damp cloth to wipe the top and bottom surfaces that are in contact with the roller arm.

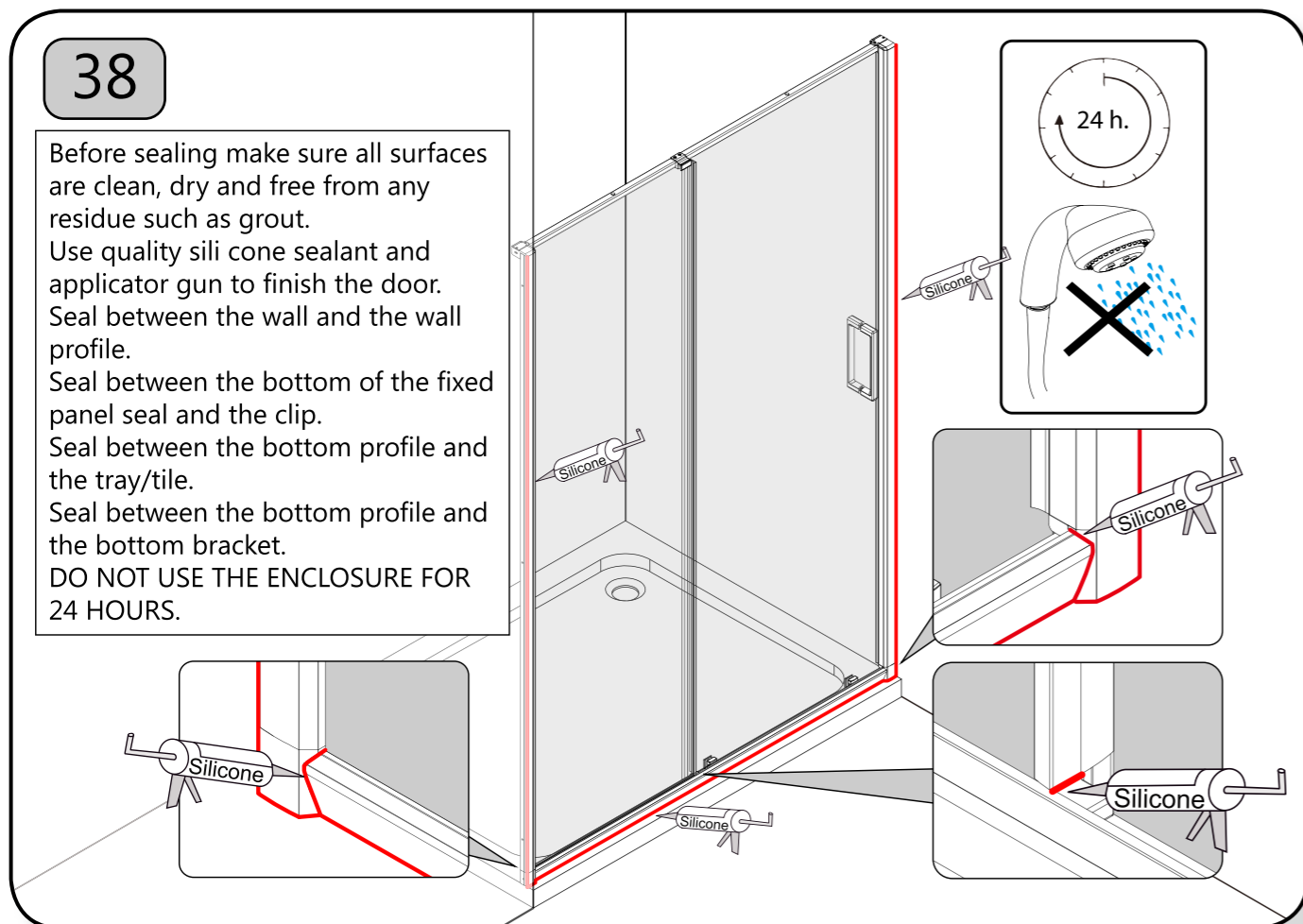
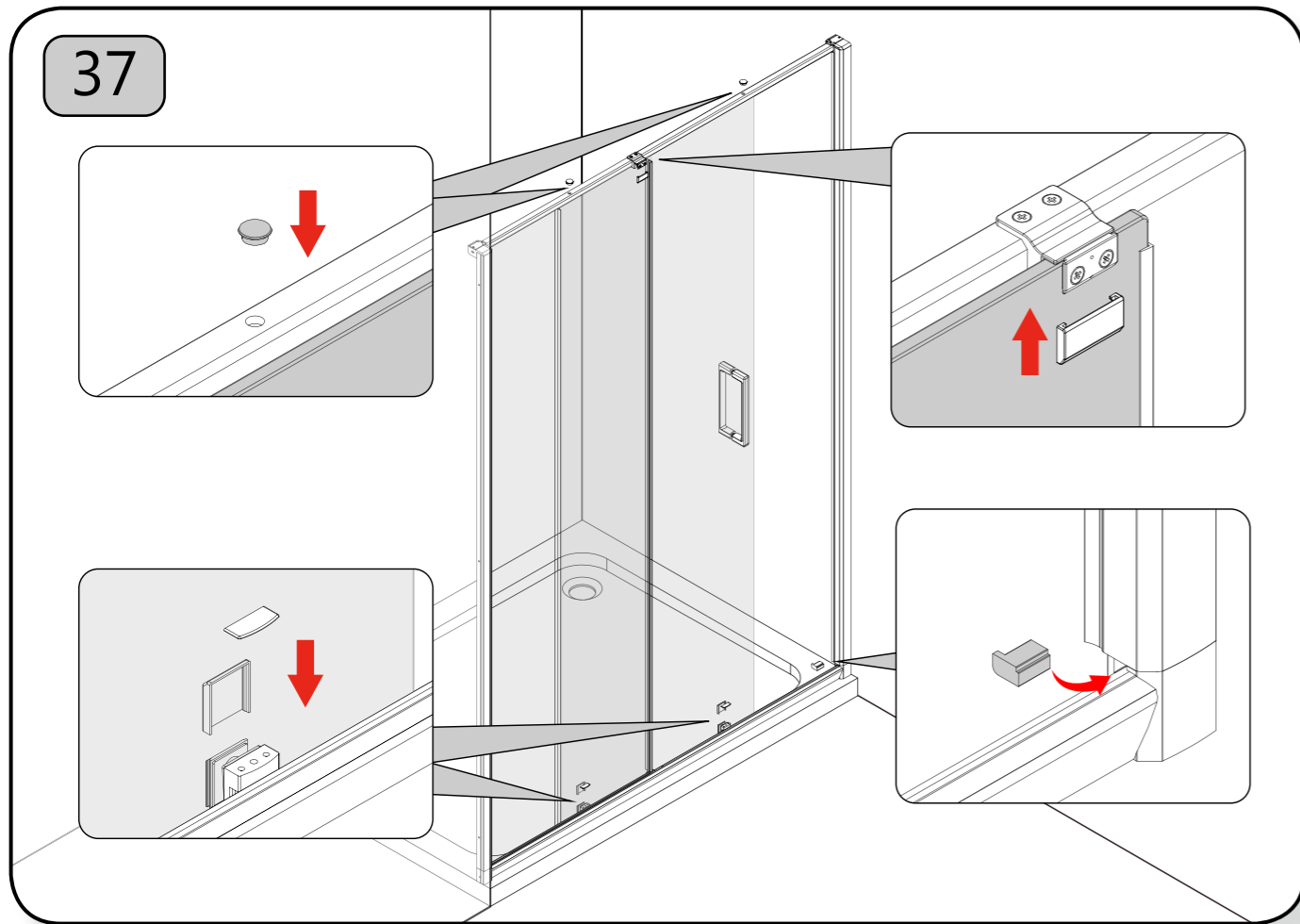
34

34A. Loosen small grub screw with the 2mm Hex Key.
34B. Slide the moving to the fully open position making sure it is touching the bump stop in the top rail.
34C. Slide the bottom stop fully onto the roller arm. Make sure the top bump stop is still touching the edge of the moving panel. Hold the roller stop in position, then slide back the moving panel.
34D. Fully tighten the grub screw.



36





CE	
Merlyn Industries LTD (MER 11)	
DOP:CE8SP1.0	
18	
EN 14428	
Shower enclosures with aluminium profiles and safety glass	
Cleanability	:Pass
Impact resistance/shatter properties	:Pass
Durability	:Pass

To download the Declaration of Performance (DOP) for this product please use the link below.

<https://merlynshowering.com/aftersales-support/dop-certs/>

For further information please contact: IRL:0567791555 UK:08081011429