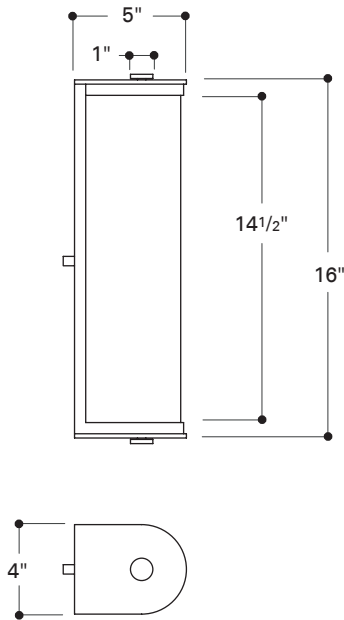


WWLT36

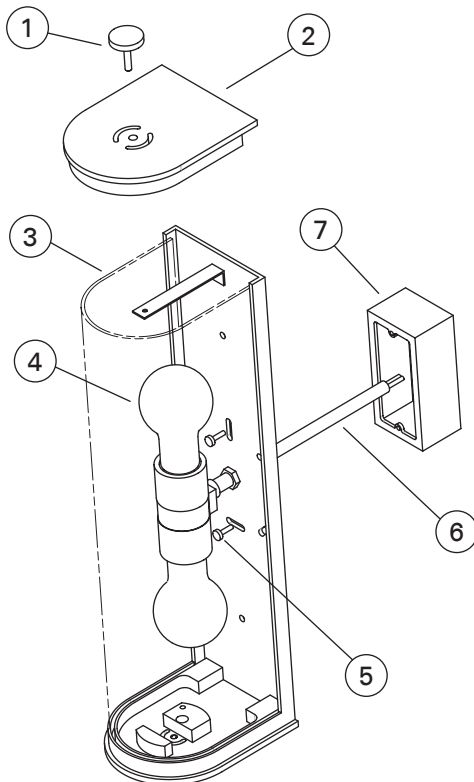


- Be sure your installation conforms to all applicable codes.
- Refer to the specification and assembly drawings attached. This product is sold partially assembled but shown fully disassembled for illustrative and service purposes only.
- Inspect this product to assure you have all parts required for proper installation.
- Use only a strap wrench or protected/smooth-jaw wrench on any finished surface.
- Light can be wall mounted vertically or horizontally

INSTALLATION:

IMPORTANT: Light weighs 15 lbs. Junction box (7) NOT provided must be secured to adequate blocking or stud material.

1. Install a 2" x 4" rectangular junction box.
2. Run 120v, 60hz electrical service to the junction box. Install and Ground per NEC and local codes.
3. Unthread top cap retaining screw(1) and lift off the top cap(2).
4. Lift glass shade(3) off of fixture body.
5. Connect fixture wires(6) to the house wires, note green fixture wire is ground.
6. Secure fixture (4) to junction box using the following junction box screws(3) NOT provided:
2" x 4" rectangular: 2 - #6-32
7. Verify the fixture is level before continuing.
8. Install 2 - 60 watt max, standard Type A bulbs.
9. Reinstall glass shade and hand-tighten the top cap retaining screw.



IMPORTANT:

- To ensure this product is installed properly, you must read and follow these guidelines.
- The owner/user of this product must keep this information for future reference.
- **WARNING:** The power supply must be turned off prior to installation.

➤ If further assistance is required, please contact Product Support at 1-800-927-2120 (8am-7pm EST).

These guidelines have been prepared for the professional contractor to aid in the installation of **ORIEL II SCONCE (WWLT36)**

8/05

All dimensions are based on original specifications and are subject to change and variation. Please consult your Design Associate for current specifications.