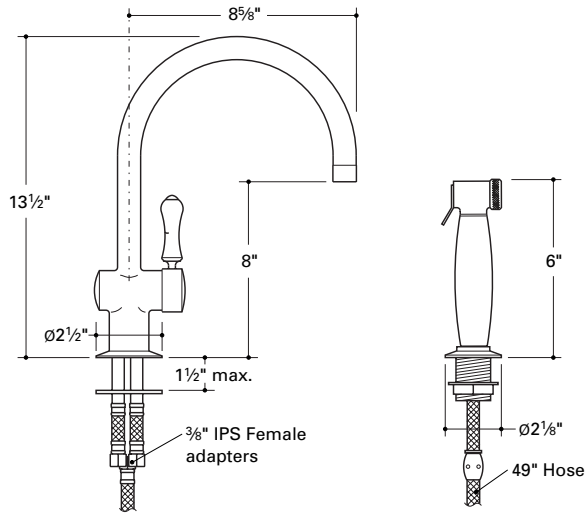


ORKM 01 (porcelain lever handle)**ORKM 02** (metal lever handle)

Note:
Drilling hole size: 1³/₈"

INSTALLATION GUIDELINES

- Use only a protected, smooth-jawed, or strap wrench on any finished surface.
- If possible, install this faucet assembly on the sink or mounting surface before setting.
- Secure the faucet body using the locking nut and gaskets provided. Do not use plumber's putty, upper and lower gaskets are provided.
- Once securely mounted, connect your hot and cold supply lines to the 3/8" IPS filter adapters, at the end of the flexible supply hoses.
- Secure the side spray escutcheon using the locking-nut provided.
- Connect the cone-shaped end of the spray hose to the sprayer using the gasket provided.
- Unscrew the finished ring from the top of the escutcheon and remove the plastic guide.
- Slide the spray hose through the plastic guide and insert into the escutcheon assembly.
- Reattach the finished ring to the top of the escutcheon assembly.
- Connect the other end of the spray hose to the flexible connector on the faucet body using the gasket provided.
- Attach the lead weight to the spray hose using the screws provided.
- Check that all connections are properly sealed and tightened.
- After installation, unscrew and remove the aerator assembly (a strap wrench may be necessary). Turn the faucet lever to the full open position to flush out any debris in the supply lines. Once the lines have been flushed, turn the faucet off and reinstall the aerator assembly.
- If further assistance is required, please contact Product Support at 1-800-927-2120 (8am-7pm EST).

INSTALLATION CONCERNS

- We strongly recommend that a water filter be installed on the supply lines feeding this faucet.
- Operating pressures: minimum 20psi, maximum 45psi, hot and cold pressures must be balanced in order to adjust the temperature correctly
- Maximum water temperature is 160 Fahrenheit

These guidelines have been prepared for the professional contractor to aid in the installation of:
ORLEANS 2-HOLE KITCHEN MIXER WITH SPRAYER (ORKM 01 / ORKM 02)

All dimensions are based on original specifications and are subject to change and variation.
Please consult your Design Associate for current specifications.