

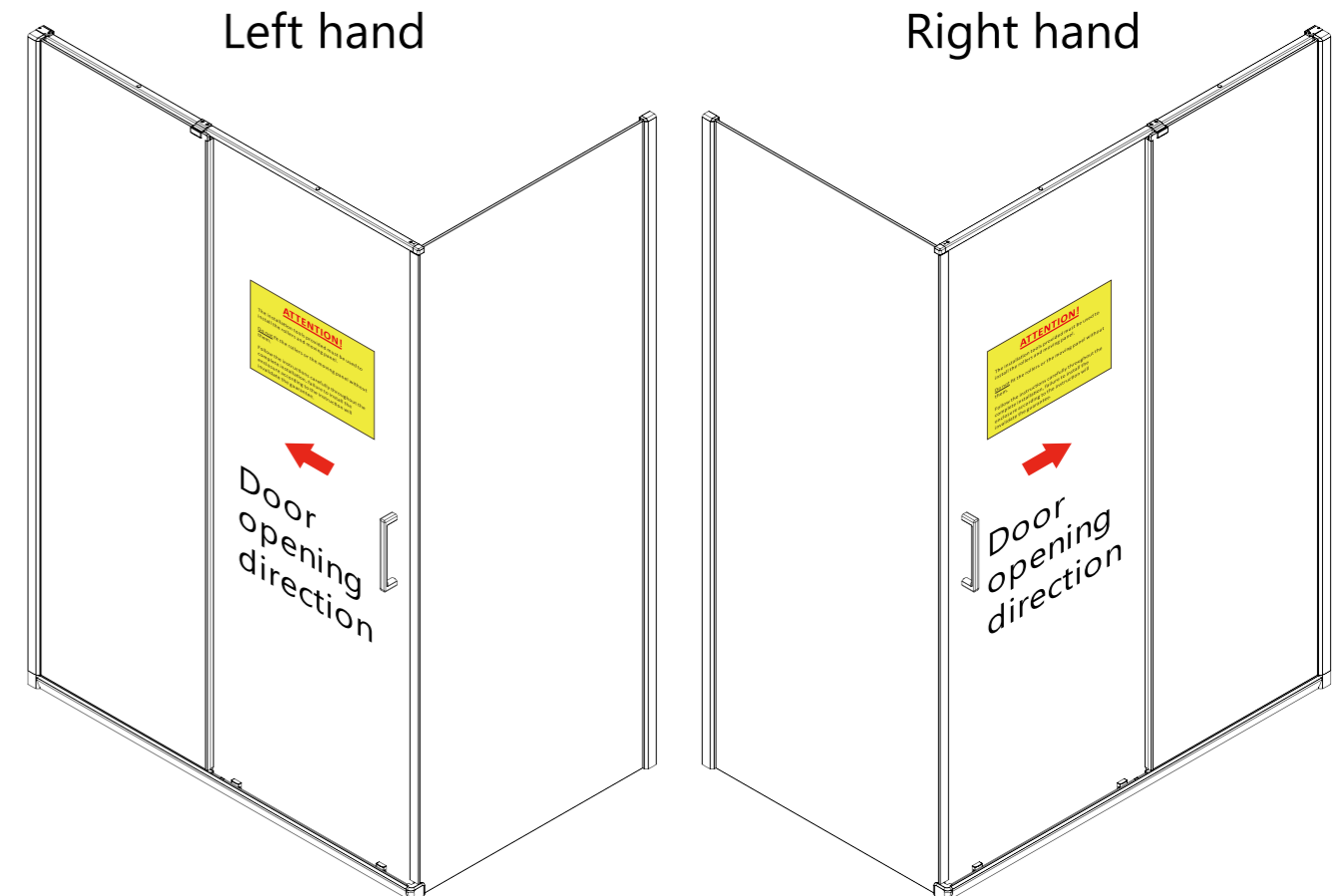
# Installation Guide

## Reversible Sliding door with Side panel

<b>CE</b>	
Merlyn Industries LTD (MER 11)	
DOP:CE8SP1.0	
18	
<b>EN 14428</b>	
Shower enclosures with aluminium profiles and safety glass	
Cleanability	:Pass
Impact resistance/ shatter properties	:Pass
Durability	:Pass

To download the Declaration of Performance (DOP) for this product please use the link below.

<https://merlynshowering.com/aftersales-support/dop-certs/>



**IMPORTANT:**  
**Please read the complete instructions  
before commencing fitting.**

Make sure the tray is 100% level in all directions.  
Do Not attempt to install the product unless you  
can tick all 4 boxes satisfactorily.

- **Check that you have the tools required**
- **Check the installation site is compatible with  
the sizes of door supplied**
- **Check all the enclosure components are present**
- **Check the installation kit is complete**

The wall plugs supplied with the installation kit are  
for use in solid walls. Hollow or 'stud partition'  
walls will require alternative fixings. Please consult  
a hardware supplier for the correct type.

It may also be necessary to consult your tiling  
supplier about the correct method for drilling your  
tiles.

**ATTENTION: TAKE EXTREME CARE WHEN  
HANDLING GLASS, WEAR PROTECTIVE EYEWEAR  
AND CLOTHING. DO NOT LEAVE THE GLASS ON  
HARD SURFACES AND AVOID CONTACT BETWEEN  
THE GLASS EDGES AND HARD SURFACES OR  
IMPACTS DURING THE INSTALLATION.**

#### **CLEANING**

It is important to clean your Merlyn shower door after every use. Wipe down all the glass and metal parts with a soft cloth. Do not allow lime scale to build up in hard water areas. Ensure that any residual water on the glass is removed after every use.

- Clean the glass regularly using soapy water.
- Do not use abrasive products on any surfaces.

Chrome is vulnerable to acid attack and some strong household cleaners including strong disinfectants, denture cleaners, hair dyes, wine making chemicals and photographic chemicals may contain acid. These materials may have a varying effect on the surface from black spots/streaks (which cannot be removed) to pitting the surface. Contact with these materials should be avoided.

#### **TROUBLE SHOOTING**

##### **Door Not functioning properly**

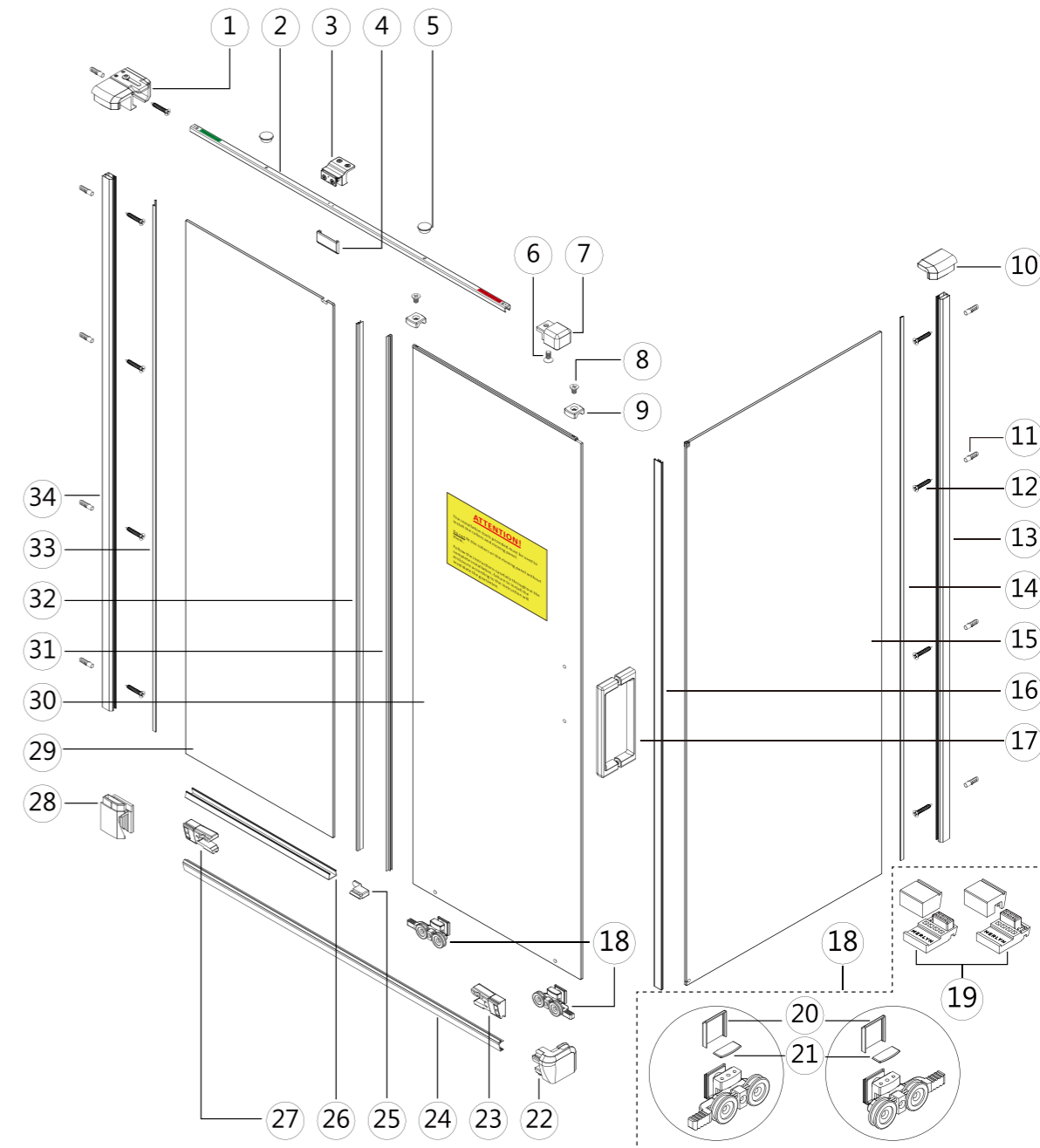
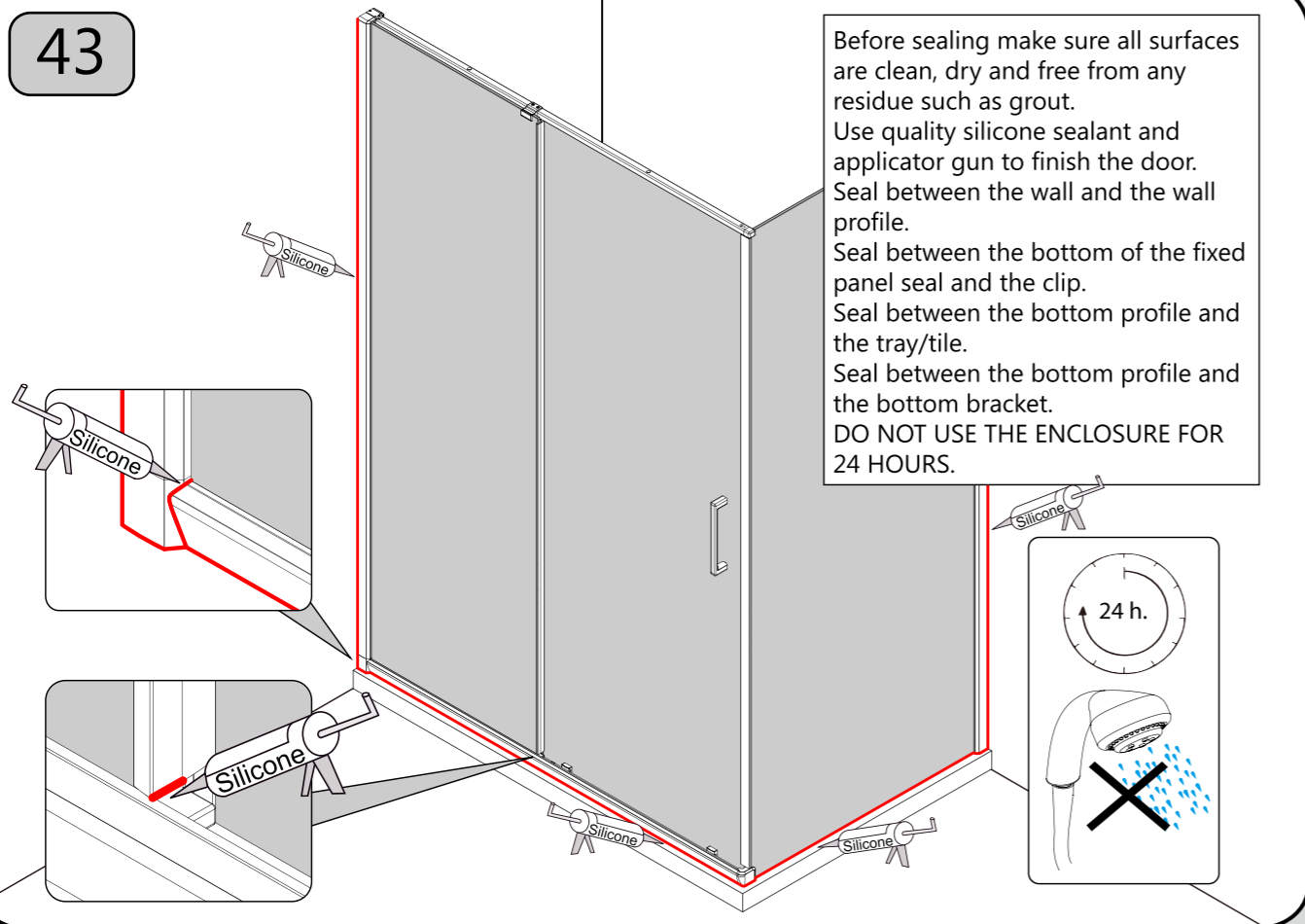
1. Is the tray 100% level? ( see step1)
2. Are the wall profiles stepped in a Min. 10mm from the edge of the tray? ( see step 2)
3. Do the finished tile measurements fall within the adjustment (X & Y) listed on step 2.
4. Have the spacers provided been used to fill any gaps between the bottom track and the tray/floor ? The profile must be completely level and supported to ensure the door functions correctly. (see step 7 )
5. Are the edges of the fixed panel, moving panel and side panel plumb. Check with a level and adjust if necessary (steps 17, 18, 22 & 23).
6. Is the top rail loose ? Check the wall fixing plate is properly fastened. (Step 28 & 29)
7. Are the screws in the roller housing fully tightened and the rollers seated correctly on the track (steps 30-33)
8. Are the top guides correctly fitted (step 35).
9. Door unstable when hitting the bump stops ? Is the bottom stop in the correct position (step 38-39)
10. Is the correct spacer used in the soft close block ? (see step 40)
11. Have the walls been checked at different levels to ensure consistency? Bumps or hollows in the wall may push the frame out of alignment.

##### **Door Leaking**

1. Has the wall profile bottom bracket had a bead of silicone applied and been pushed on fully ? Check for any gaps ! (see step 12)
2. Is the bottom track and fixed panel within the Min. – Max. limit of adjustment. Max. 20mm ? (see step 14)
3. Is the wedge gasket pushed in fully between the fixed/side panel glass and the wall profile. (see steps 18 & 23)
4. Have the fixed panels been properly secured by the bottom clip? (See step 19)
5. Door not closing fully ? Wipe clean the inner surfaces of the rubber bump stop on the bottom rail. If the door is still not closing fully check the spacer thickness (step 40)
6. Are the upright seals fitted correctly? (see step 41)
7. Is the door sealed correctly ? Ensure a sufficient dab of silicone is applied between fixed clip and glass on bottom profile and upright seal is fitted to fixed panel. Then remove excess silicone. (see step 43)

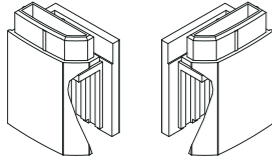
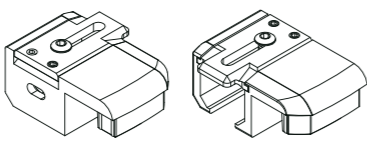
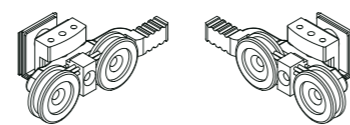
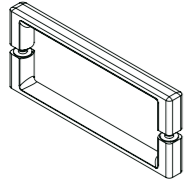
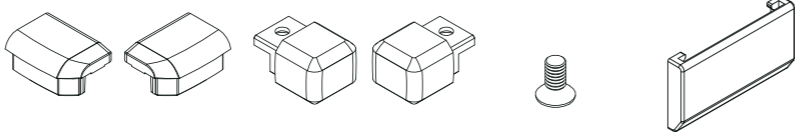

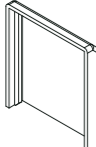
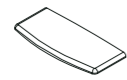
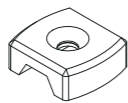

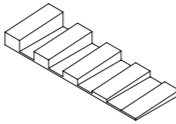

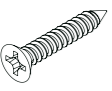
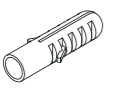
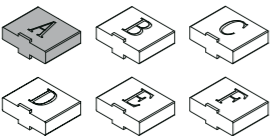

43

Before sealing make sure all surfaces are clean, dry and free from any residue such as grout. Use quality silicone sealant and applicator gun to finish the door. Seal between the wall and the wall profile. Seal between the bottom of the fixed panel seal and the clip. Seal between the bottom profile and the tray/tile. Seal between the bottom profile and the bottom bracket. DO NOT USE THE ENCLOSURE FOR 24 HOURS.

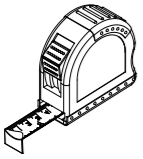




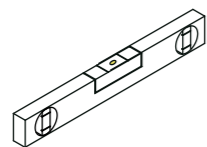

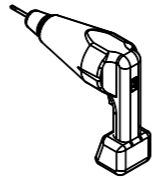


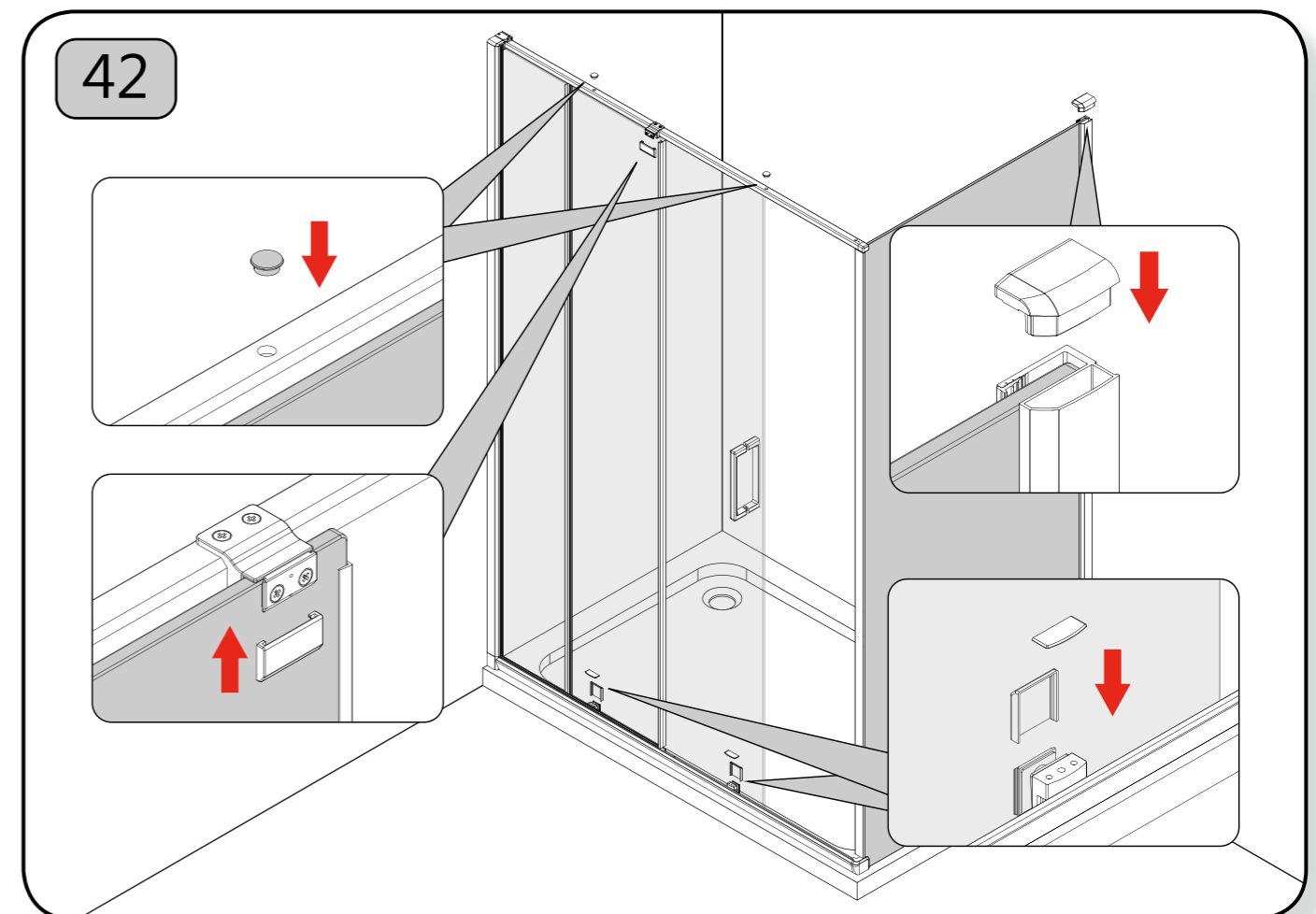
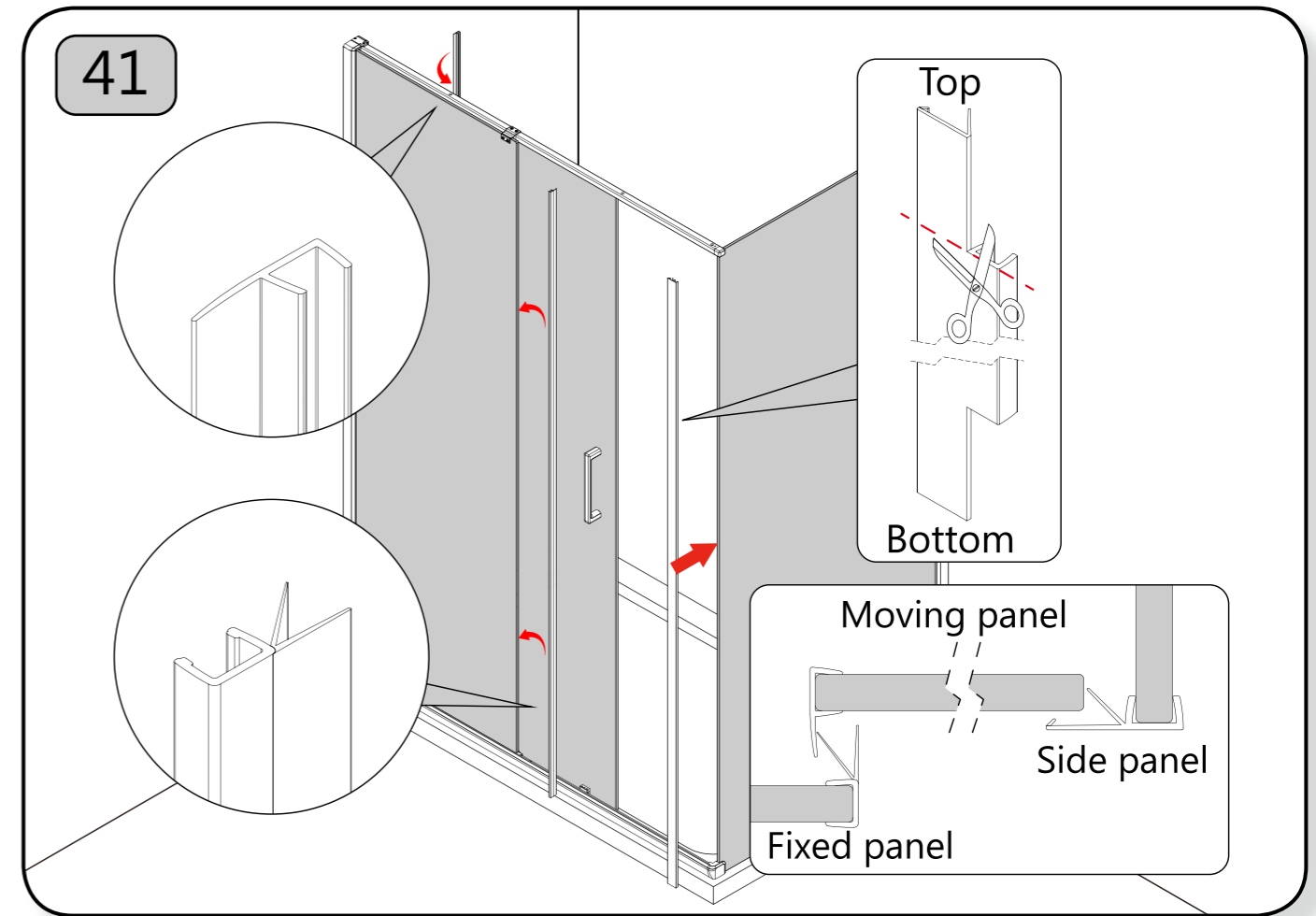
No.	QTY	Descriptions	Code	No.	QTY	Descriptions	Code	No.	QTY	Descriptions	Code
1	2	Wall profile top bracket	SP08HWSI31L/R	14	1	Wall profile upright seal	SP08SECY52	27	1	Bottom roller stop left	SP08HWSI36L
2	1	Top Rail	A	15	1	Side panel	B	28	2	Wall profile bottom bracket	SP08HWSI22L/R
3	1	Fixed panel bracket	SP08HWSI21	16	1	Side panel upright seal	SP08SESH23	29	1	Fixed panel	D
4	1	Fixed panel bracket cover cap	SP08HWSI21C	17	1	Handle	SP08HD090A	30	1	Moving panel	E
5	2	Top rail guide cover cap	SP08HD20301-4	18	1	Complete roller set with installation tool	SP0A8ROLLSET	31	1	Moving panel upright seal	SP08SESH09
6	1	M5x8 screw	SP0A8M5x8	19	1	Moving panel installation tools	SP0A8DRJIG	32	1	Fixed panel upright seal	SP08SESH12
7	2	Side panel top corner bracket	SP08HWSI14L/R	20	2	Roller inside cap	SP08WH006-5	33	1	Wall profile upright seal	SP0SECY52A
8	2	M4x6 screw	SP0A8M4X6	21	2	Roller top cap	SP08WH006-6	34	1	Wall profile	SP08ALSH02
9	2	Top guide	SP08HWSI29	22	2	Side panel bottom corner bracket	SP08HWSI05L/R				
10	2	Side panel wall profile top cap left	SP08HWSI01L/R	23	1	Bottom roller stop right	SP08HWSI36R				
11	9	6mm wall plug	A03S0090	24	1	Bottom profile	C				
12	9	M4x40 screw	SP0A8M4X40	25	1	Fixed panel fixed block	SP08HWSI04				
13	1	Side panel wall profile	SP08ALSH025	26	1	Bottom seal	SP08SESH06				

# Fixing Kit Components

 SP08HWSI22 X1	 SP08HWSI31L SP08HWSI31R X1 X1	 SP0A8ROLLSET X1				
 SP08HD090A X1	 SP08HWSI01L/R SP08HWSI14L/R SP0A8M5X8 SP08HWSI21C X2 X2 X1 X1					
 SP08HD20301-4 X2	 SP08WH006-5 X2	 SP08WH006-6 X2	 SP08HWSI29 X2	 SP0A8M4X6 X2	 A06S0062 X2	 A10S0003 X1
 SP0A8M4X40 X9	 A03S0090 X9	 SP0A8SPACER X2		 2.0mm SP02mmALKEY X1 2.5mm SPOGMS0852 X1 3.0mm SPOGMS0851 X1 4.0mm 8S1300611 X1		

# Tools required

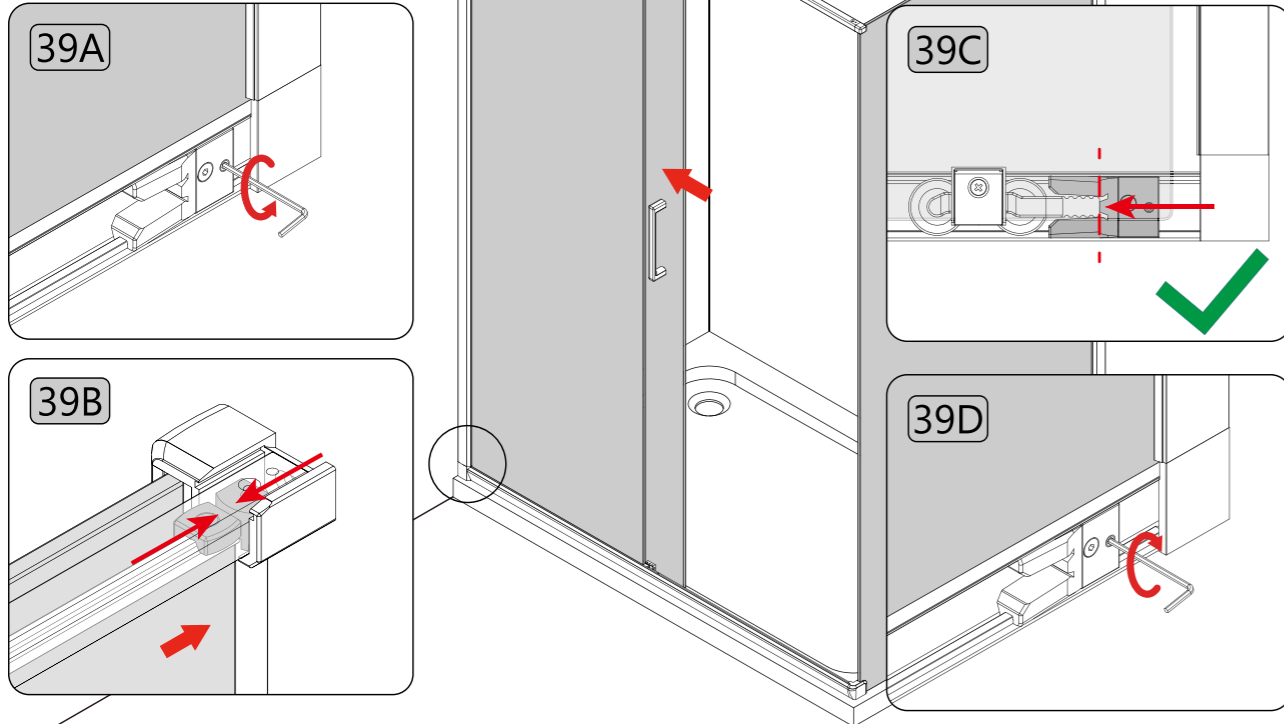
			
 PH2		 Ø6	





39

39A. Loosen small grub screw with the 2mm Hex Key.  
 39B. Slide the moving to the fully closed position making sure it is touching the bump stop in the top rail.  
 39C. Slide the bottom stop fully onto the roller arm. Make sure the top bump stop is still touching the edge of the moving panel. Hold the roller stop in position, then slide back the moving panel.  
 39D. Fully tighten the grub screw.

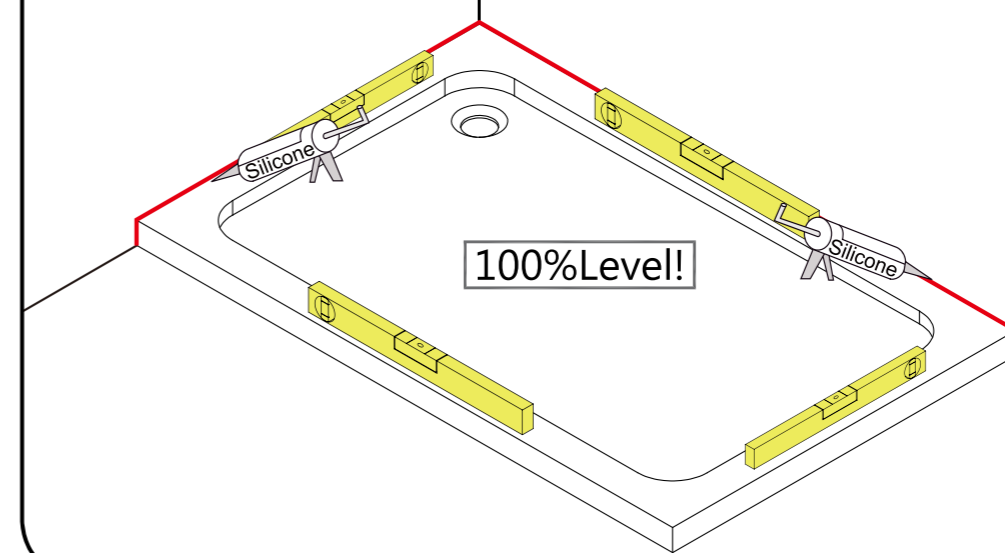
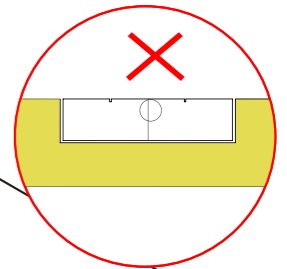
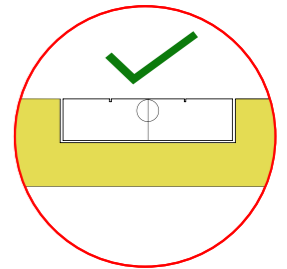


1

Ensure the shower tray is level in all directions and is properly sealed to the wall. The wall must be tiled down to the top edge of the tray.

Do not angle out bottom tile.  
**TRAY MUST BE LEVEL IN ALL DIRECTIONS!**

**TRAY MUST BE SEALED FULLY AROUND WHERE THE TRAY MEETS THE WALL.**



40

The soft close resistance of this product can be adjusted depending on the users preference and may also need to be adjusted depending on the door size purchased as all doors are fitted as standard to the lowest setting. This can be done simply by replacing the spacer within the soft close block.

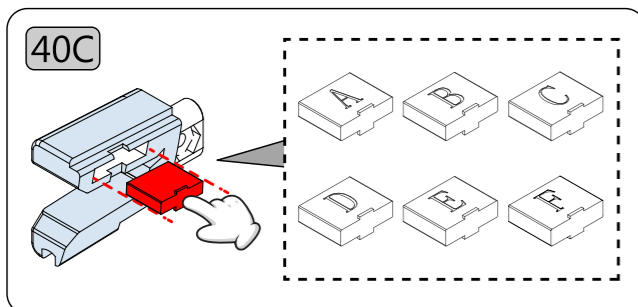
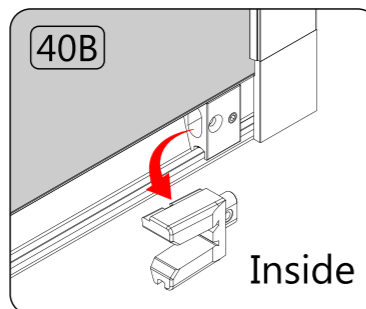
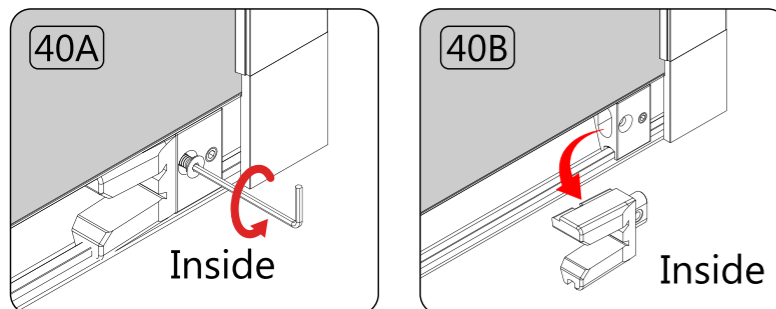
**Note:** The spacer thickness increases from A to F.

40A. Remove the countersunk screw.

40B. Remove the soft close block.

40C. Slide out spacer, replace the spacer and reassemble. Test the function and repeat the process in increments until the desired soft close function is achieved.

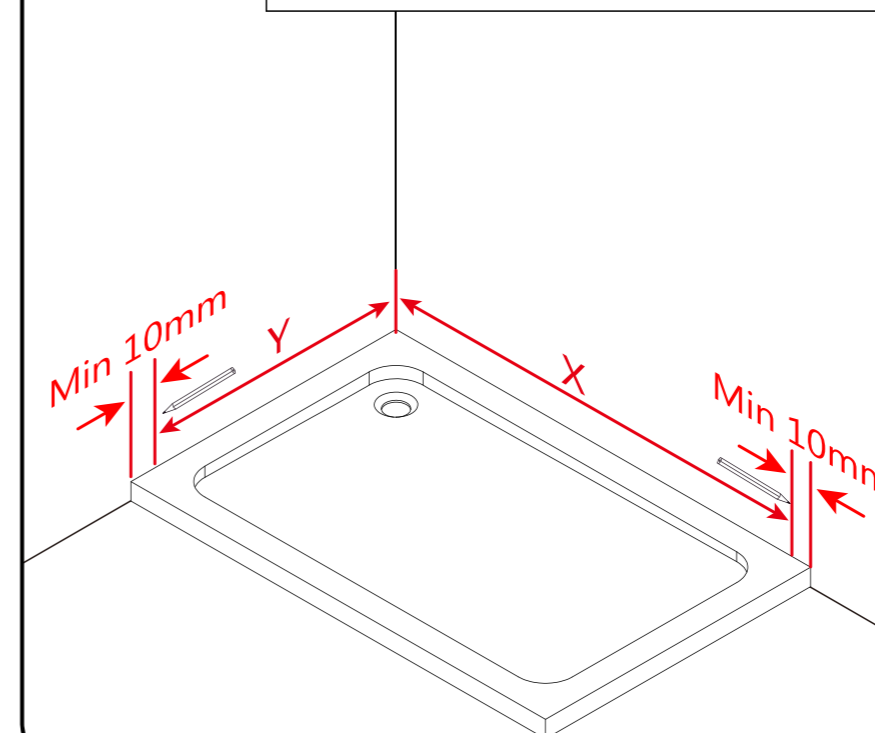
**TOP TIP!** To keep the soft close working at its optimum level periodical cleaning of the rubber is advise. Use a damp cloth to wipe the top and bottom surfaces that are in contact with the roller arm.



2

Mark a line on both sides within the range of adjustment X , Y shown in the table below.

NOTE: Make sure the line is a minimum of 10mm from the edge of the tray on sides.



Size	X	Y
700	N/A	670-690
760	N/A	730-750
800	N/A	770-790
900	N/A	870-890
1000	970-990	970-990
1100	1070-1090	N/A
1200	1170-1190	N/A
1300	1270-1290	N/A
1400	1370-1390	N/A
1500	1470-1490	N/A
1600	1570-1590	N/A
1700	1670-1690	N/A

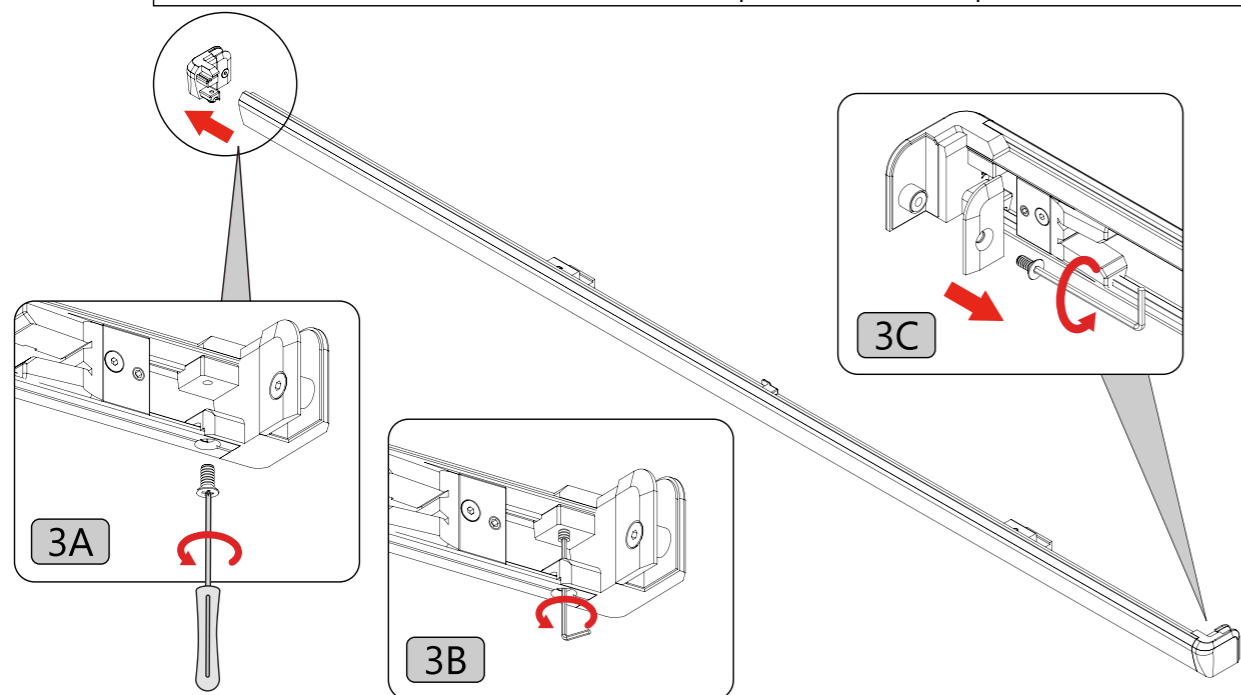
3

The bottom rail is reversible and is pre assembled with left and right handed corner brackets, one of which is to be removed and discarded. The instruction follows a left hand configuration.

**3A.** Remove the countersunk screw from the base of the corner bracket furthest away from the side panel.

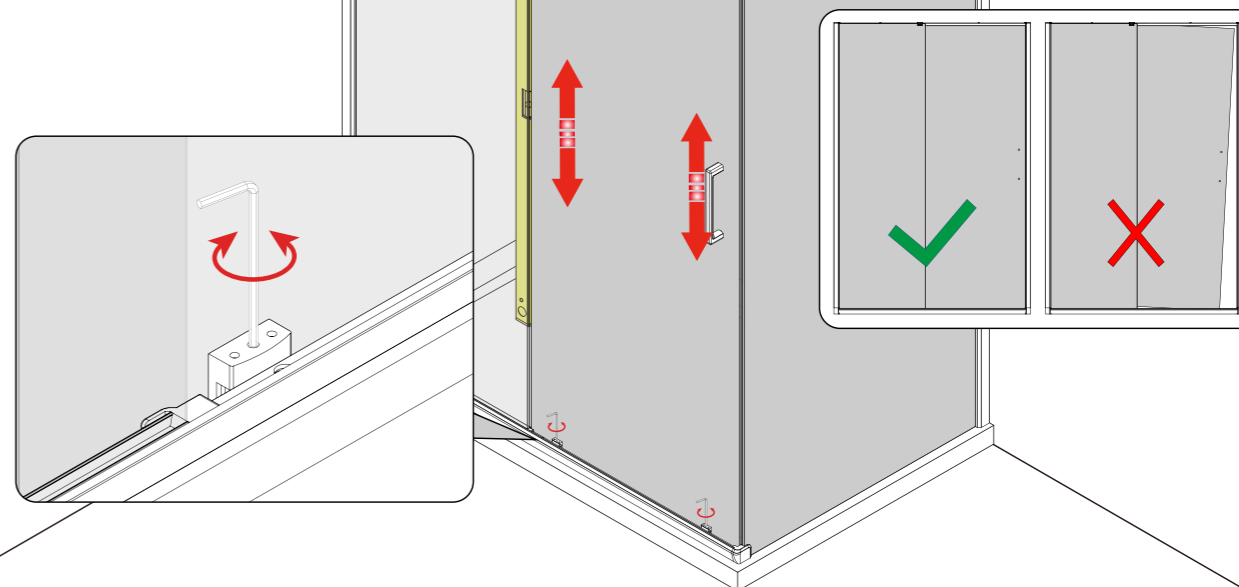
**3B.** Remove the grub screw.

**3C.** On the corner bracket left attached to the profile remove the plate and flat washer.

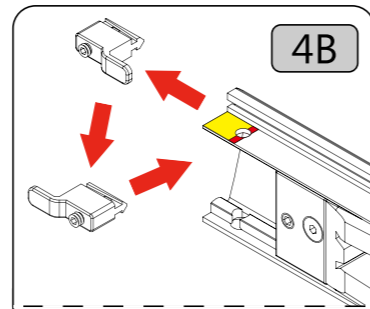
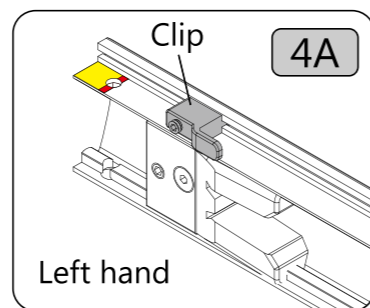


37

Check the overlap between the moving and fixed panel and adjust rollers if necessary.



4



**4A.** The fixed panel clip is assembled in left hand configuration.

**4B.** To change to right hand loosen the grub screw in the clip, remove and rotate 180 degrees and then slide back into the profile.

**NOTE:** Product is shown in left hand configuration throughout the rest of the installation guide.

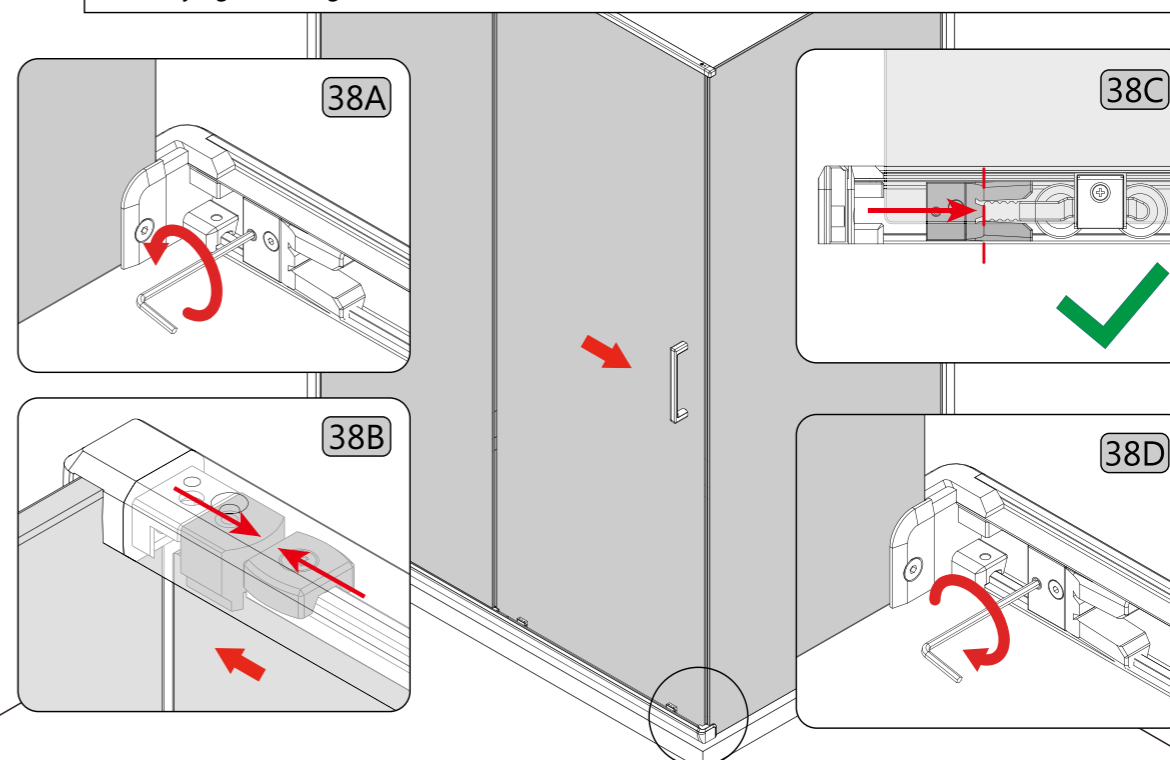
38

**38A.** Loosen small grub screw with the 2mm Hex Key.

**38B.** Slide the moving to the fully closed position making sure it is touching the bump stop in the top rail.

**38C.** Slide the bottom stop fully onto the roller arm. Make sure the top bump stop is still touching the edge of the moving panel. Hold the roller stop in position, then slide back the moving panel.

**38D.** Fully tighten the grub screw.

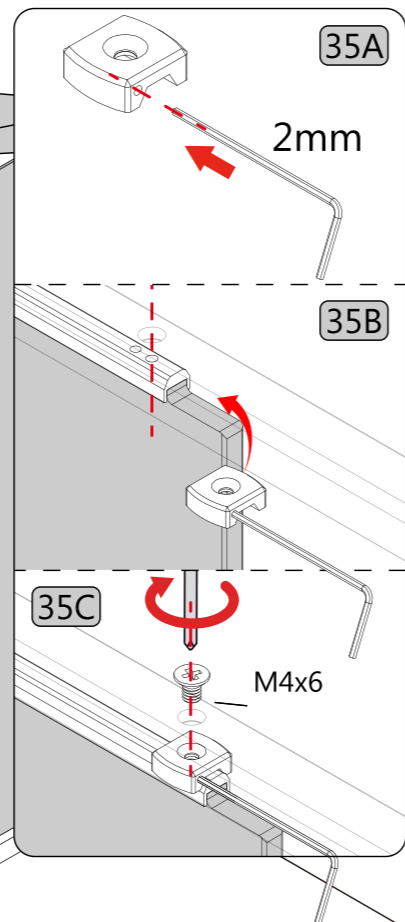


35

**35A.** Fit the guide to the long end of the 2mm hex key and slide onto the top of the moving panel.

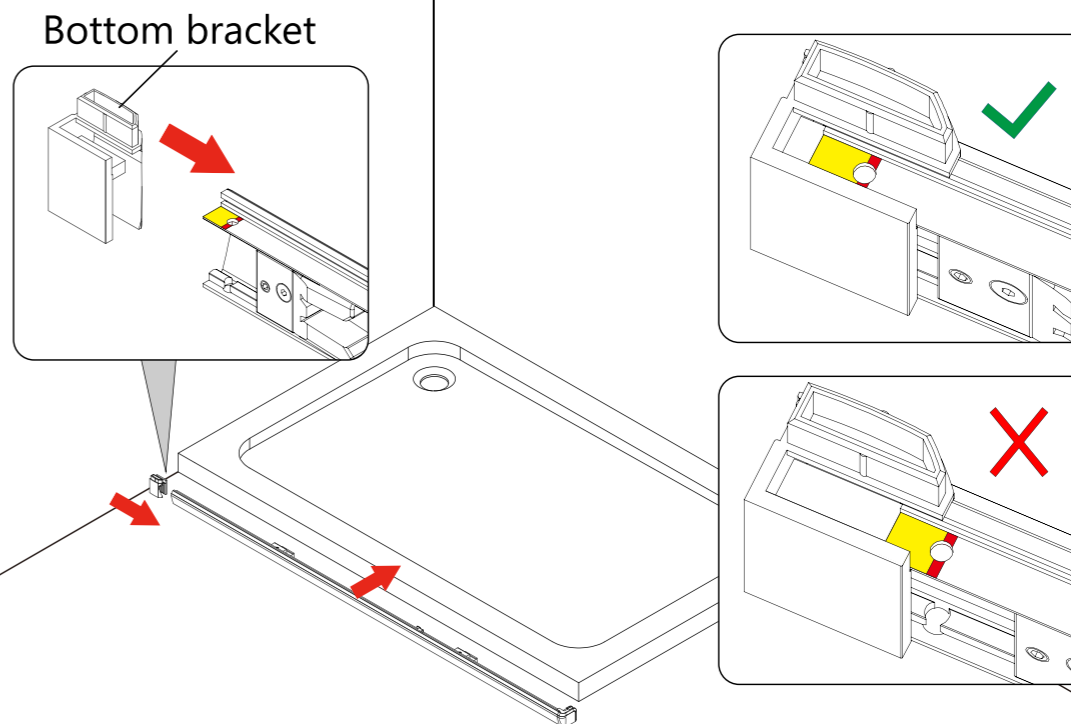
**35B.** Align the hole in the guide with the hole in the top of the moving panel and the hole in the top rail.

**35C.** Fix the guide to the top of the moving panel with screw SP08HWSI29. **DO NOT OVER TIGHTEN !** Remove the hex key.

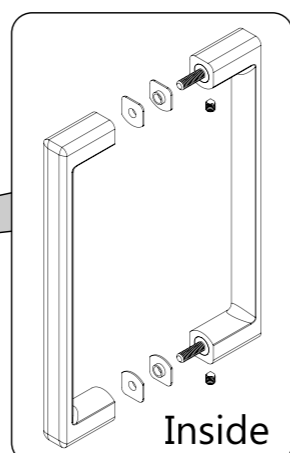


5

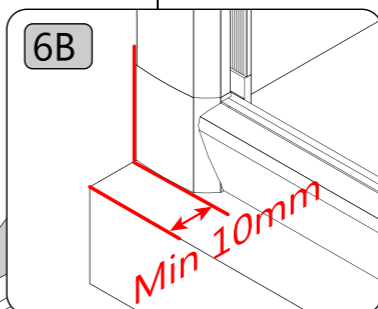
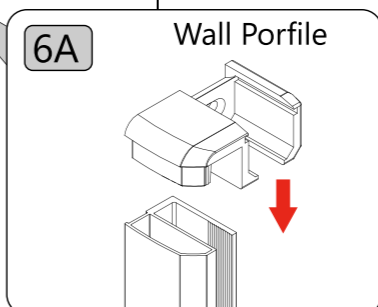
Note the line on the ends of the profile. This is to show the limit of the 20mm adjustment used later in the installation. The line should not come past the edge of the bottom bracket.



36

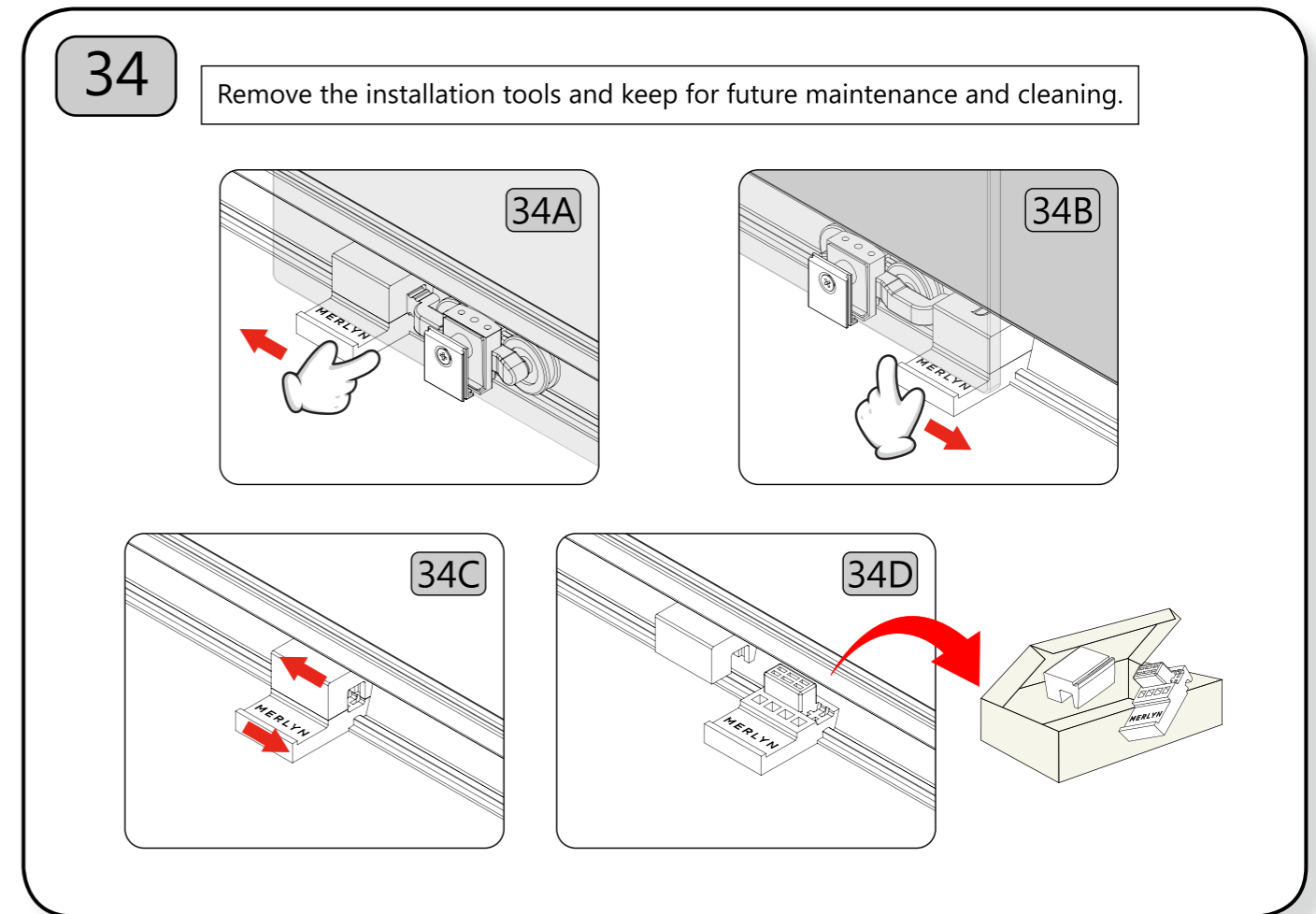
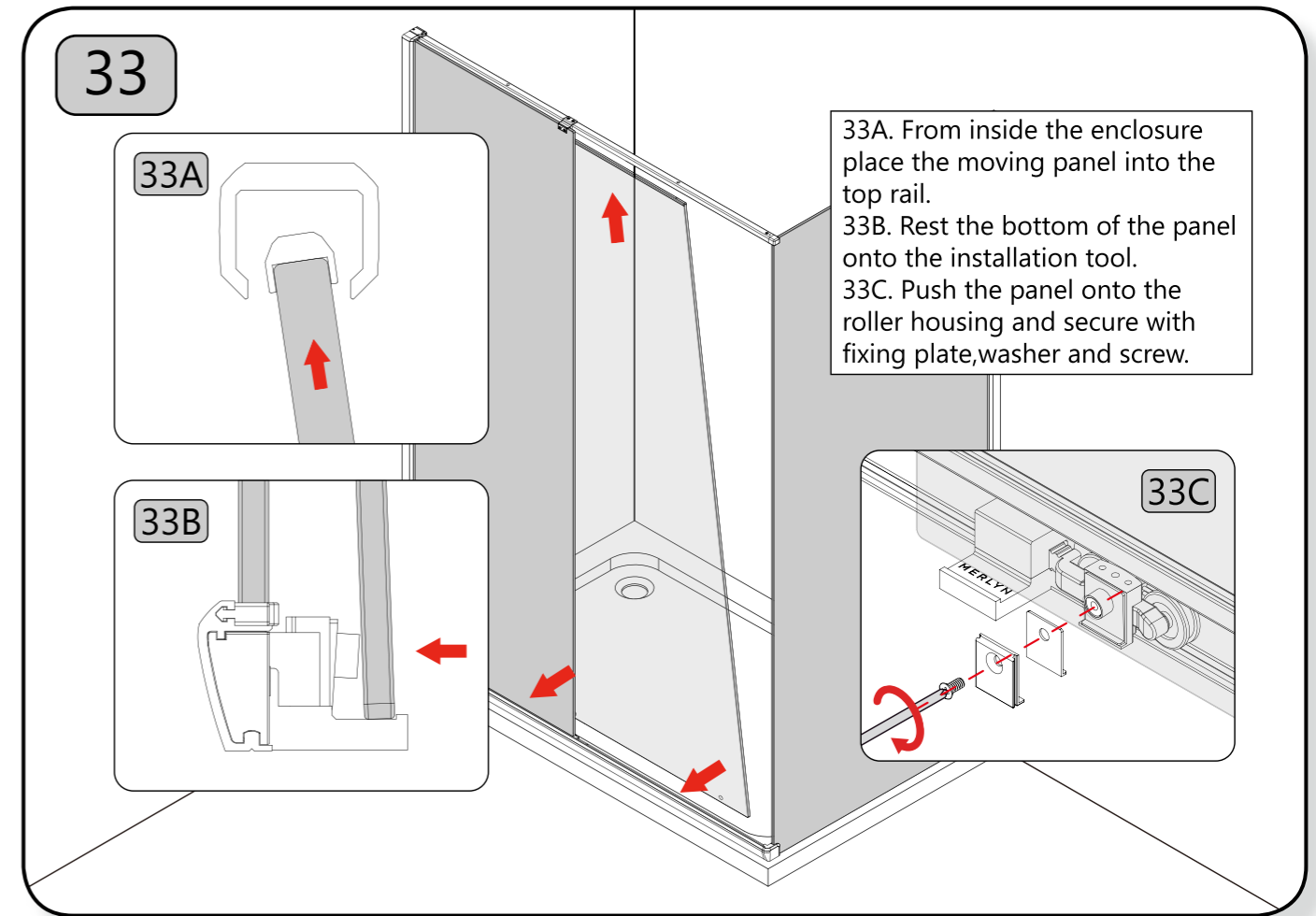
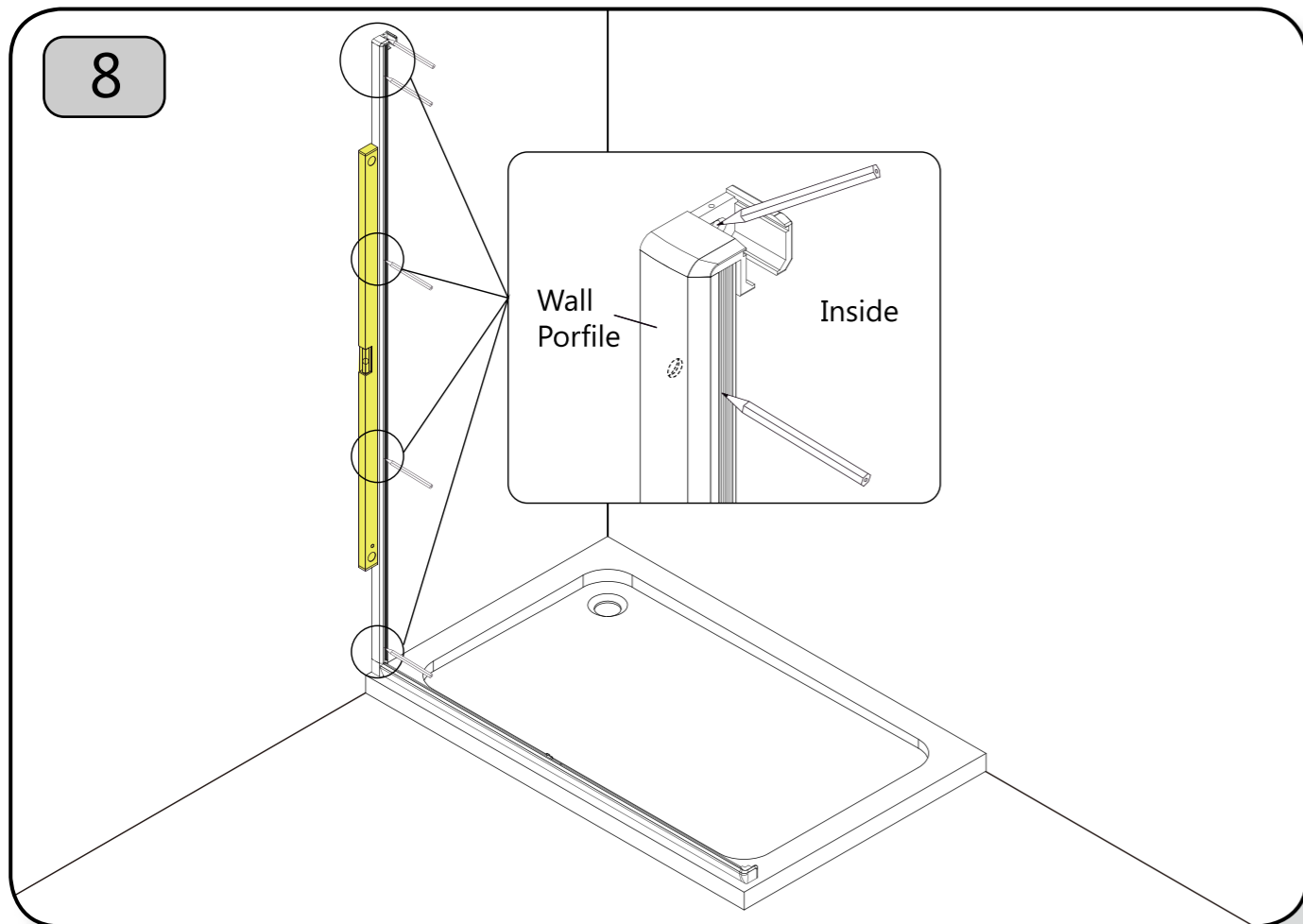
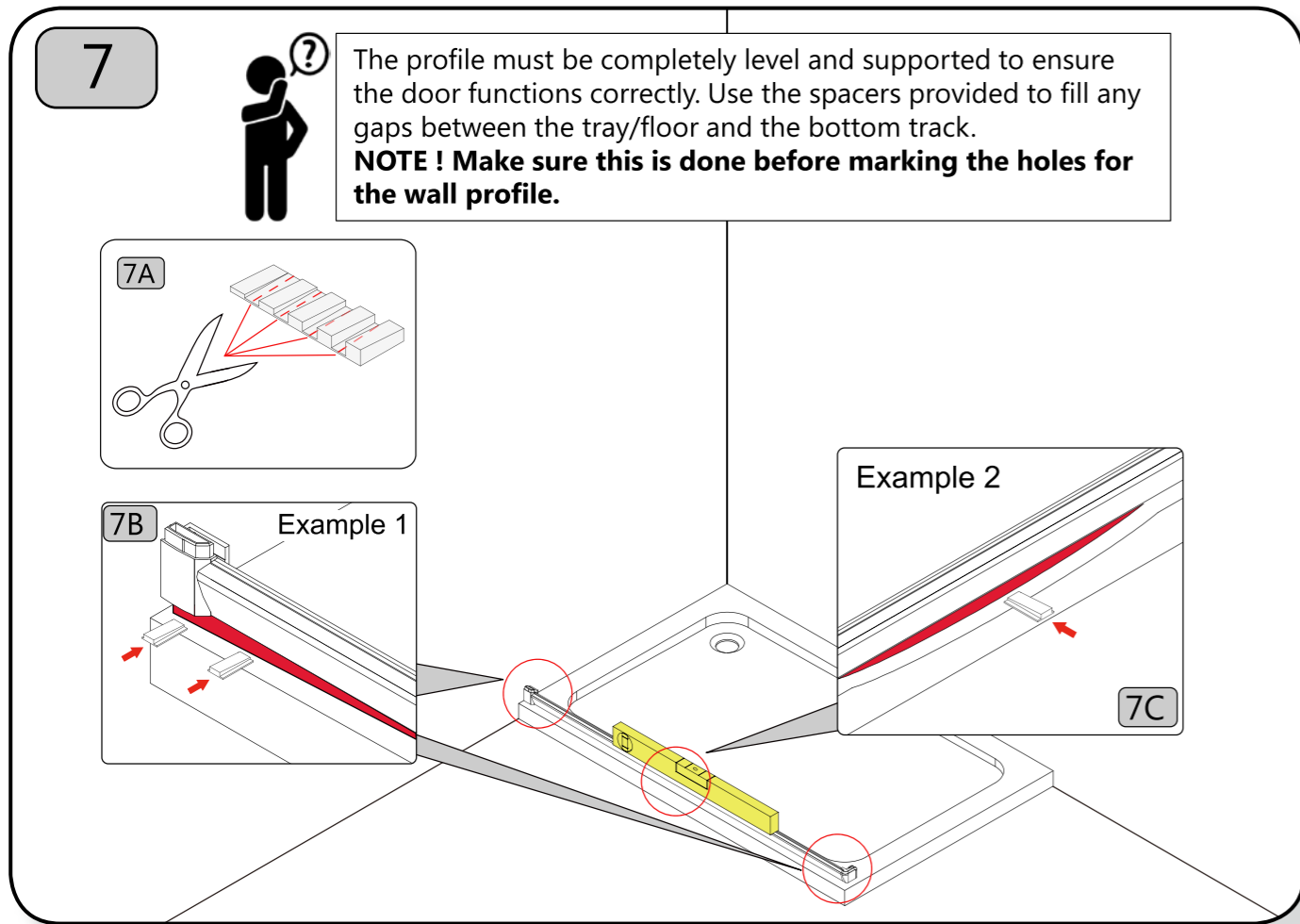


6



**6A.** Fit the bracket to the wall profile.

**6B.** Align the bottom bracket to the line marked Y in step 2. Ensure the frame is stepped in a Min. of 10mm from the edge of the tray.



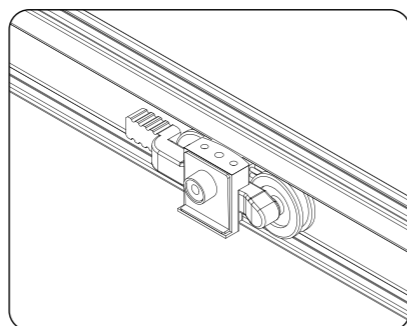
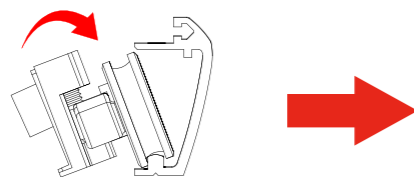


31

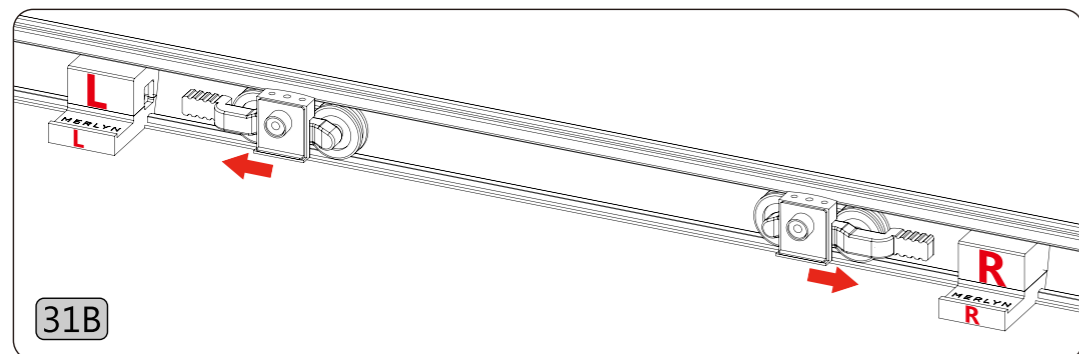
**31A.** Place the roller on the track at a slight angle and tilt forward.

**31B.** Slide the roller arm into the slot in the installation tool to hold the roller upright.

31A



31B



9

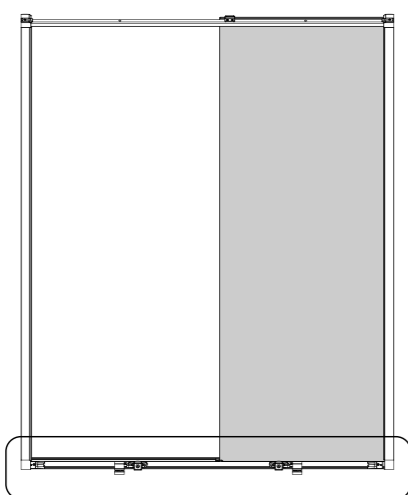
Align the bottom of the profile to the line marked X in step 2. Ensure the frame is stepped in a Min. of 10mm from the edge of the tray.



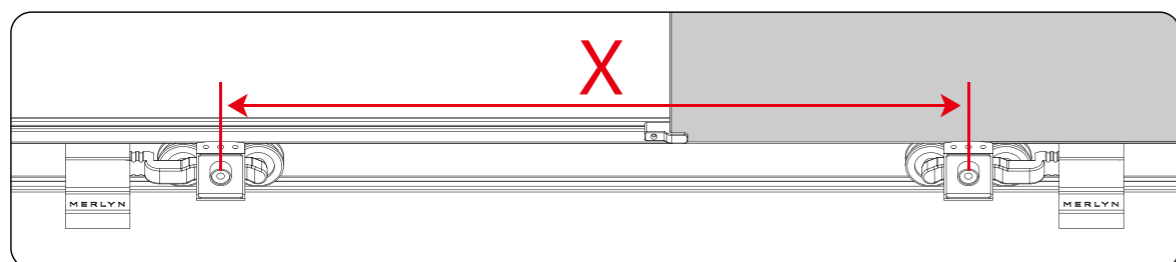
Min 10mm

32

Position the installation tools and rollers in the centre of the enclosure. Measure from centre to centre of the rollers and set the distance X according to the product size table.



Size	X
1000	311
1100	361
1200	411
1300	461
1400	511
1500	511
1600	511
1700	511



10

