



Modern Farm

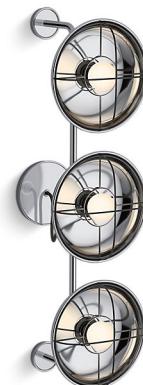
Three-light sconce
K-23665-SC03

Features

- Suitable for any living space, allowing you to create a cohesive design aesthetic throughout your home.
- Candelabra base (E12) socket, works best with type G16.5 white, clear or Edison bulbs (sold separately).
- Can be mounted vertically or horizontally.
- Shades swivel, enabling you to direct light where you need it.
- Suitable for damp locations, per UL 1598.

Material

- Manufactured with quality materials and complimented with a meticulous finishing process.
- Durable finishes engineered to last and designed to match KOHLER faucet finishes.



Codes/Standards

UL 1598
CSA C22.2 No. 250

KOHLER® Lighting Limited Warranty

See website for detailed warranty information.

Available Colors/Finishes

Color tiles intended for reference only.

| Color | Code | Description |
|--|------|----------------------|
|  | BGL | Moderne Brushed Gold |
|  | CPL | Polished Chrome |
|  | VNL | Valiant Nickel |
|  | WHL | Matte White |

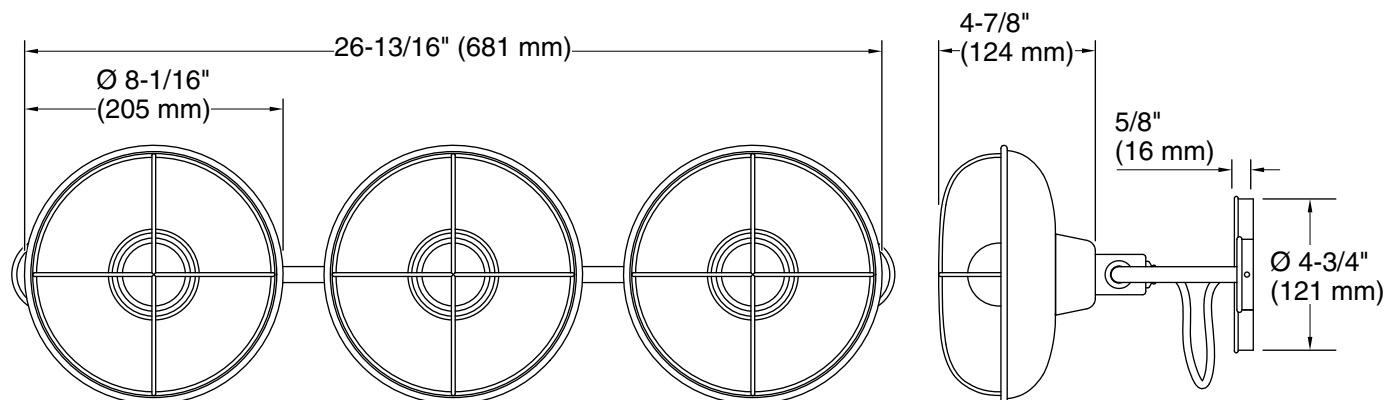
1-800-4KOHLER (1-800-456-4537)

Kohler Co. reserves the right to make revisions without notice to product specifications.

For the most current Specification Sheet, go to www.kohler.com.

5-6-2020 09:07 - US/CA/MX

THE BOLD LOOK
OF **KOHLER**®



Required Electrical Service

One circuit required.

Lights: 120 V, 60 Hz

Technical Information

All product dimensions are nominal.

Material: Steel

Number of Lights: 3

Lighting Type: Socket-based

Socket Type: E-12 Candelabra

Number of Shades: 3

Shade Type: Metal

Electrical component rating: Socket Rating: 60 Hz, 60 W