



Name: LEA - 02

Design: Alex Fernández Camps / 2009

Typology: Wall lamp

Environment: Indoor

Technical description:

Wall light with aluminum structure coated in white finishing. With a minimum of 30 pieces, special colors can be ordered. Available in smaller and larger formats. Upper shelf sustains up to 8.8 pounds of weight. Consult sales team for dimming options. Only fixture finishing is customizable.



Lamps description

⏏ Earthing: compulsory

⚠ Ready for mounting on normally flammable surface

➡ 1 x 39 W T5

Voltage: 230V-50Hz

📦 1 Box 10 x 105 x 25 cm

Vol.: 0,0263 m³

Weight: 7 kg

Certifications: ETL US CE
Intertek 4006618

Ref

Finishings

0221501 Electronic ballast / white

D0221501 Dimming ballast / white

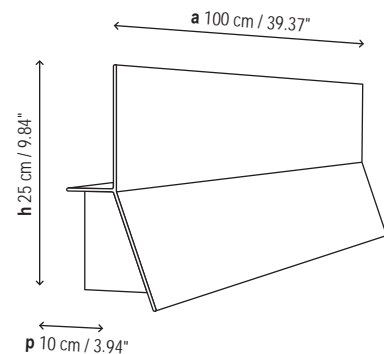
Polycarbonate diffuser included

Upper shelf bears until 4 kg

Special colors: RAL number to be indicated.
Minimum quantity: 30 pieces.

Not Customizable

Measures



Project information

Project name: _____

Approved by: _____

Fixture type: _____

Date: _____

Location: _____

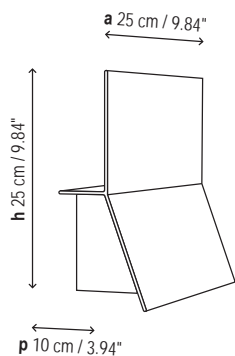
Prepared by: _____

Comments: _____

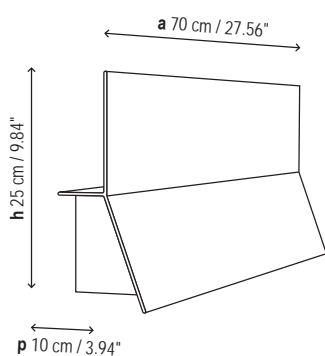
Prepared for: _____

Photometrics

LEA



LEA - 01



LEA - 03

